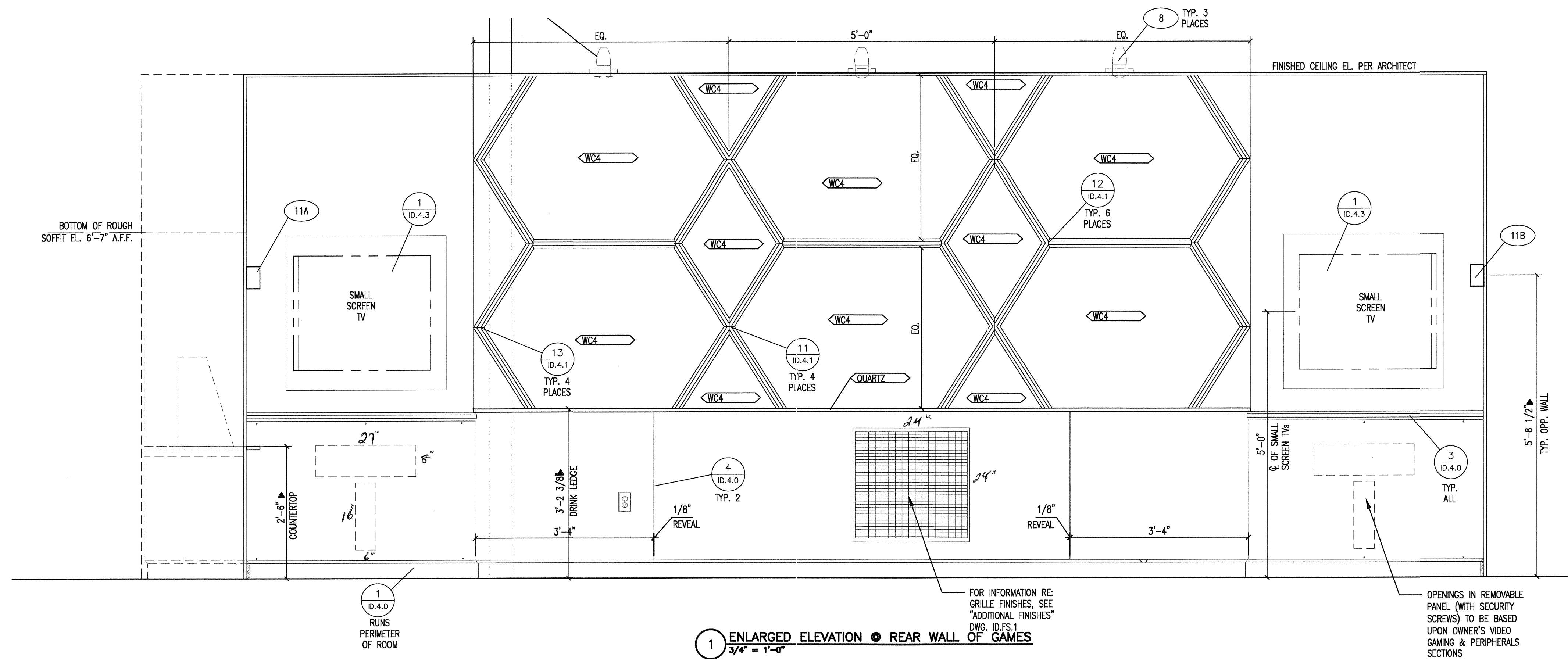


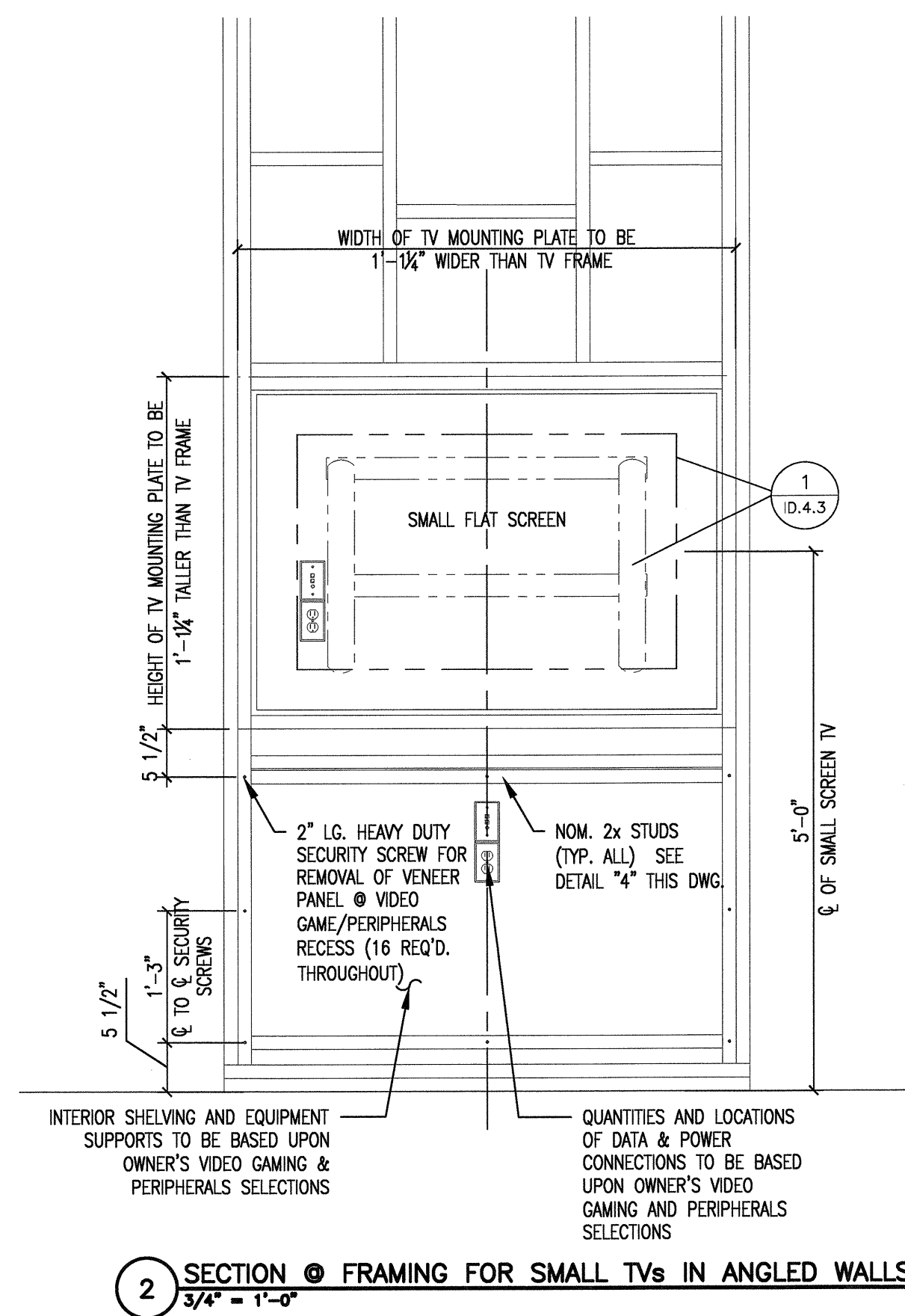
REVISED FOR CONSTRUCTION
MAY 16, 2012

KELLER SPRINGS CLUBHOUSE
ADDISON, TX

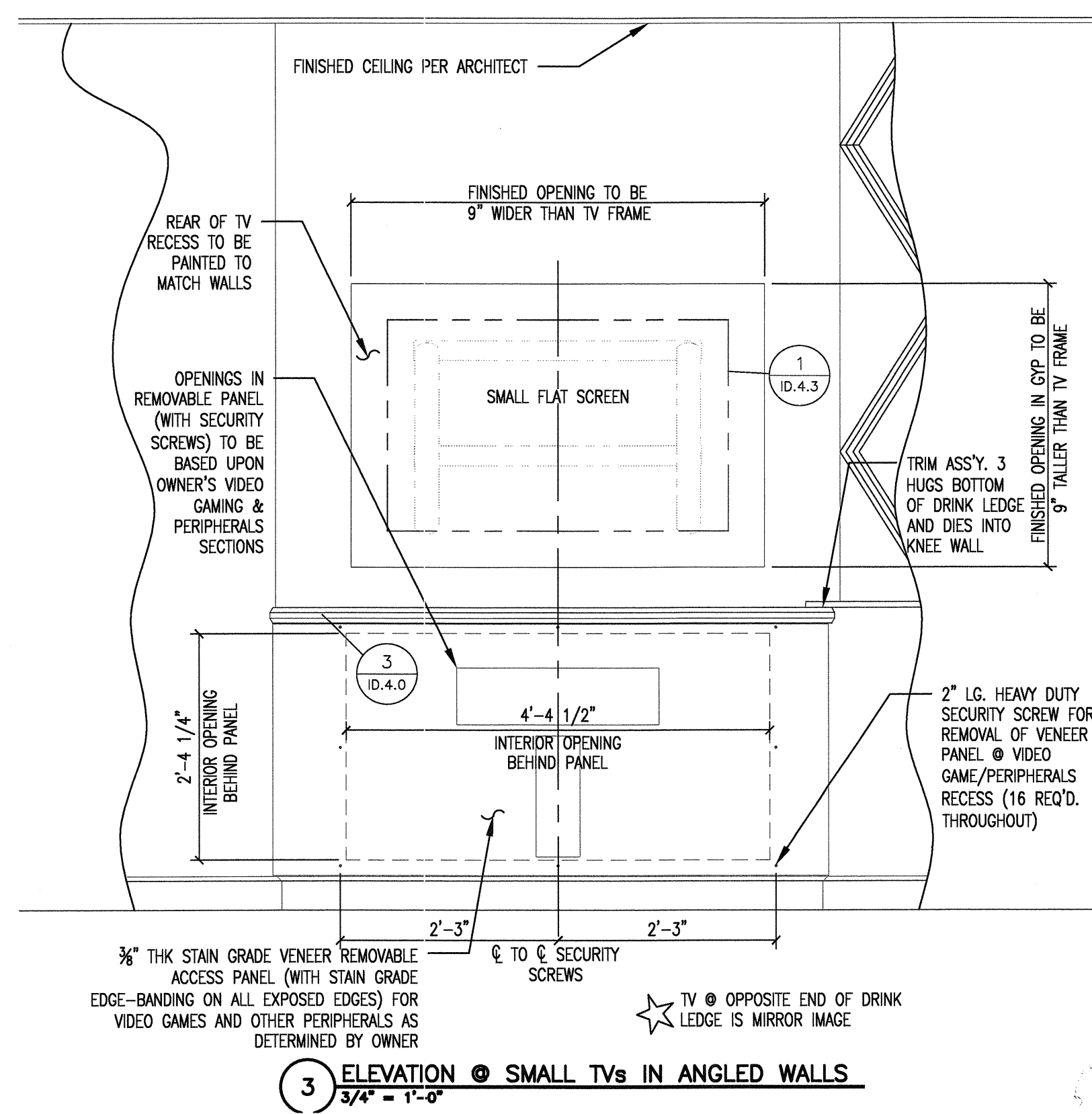
ENLARGED ELEVATIONS & SECTIONS @ GAMES



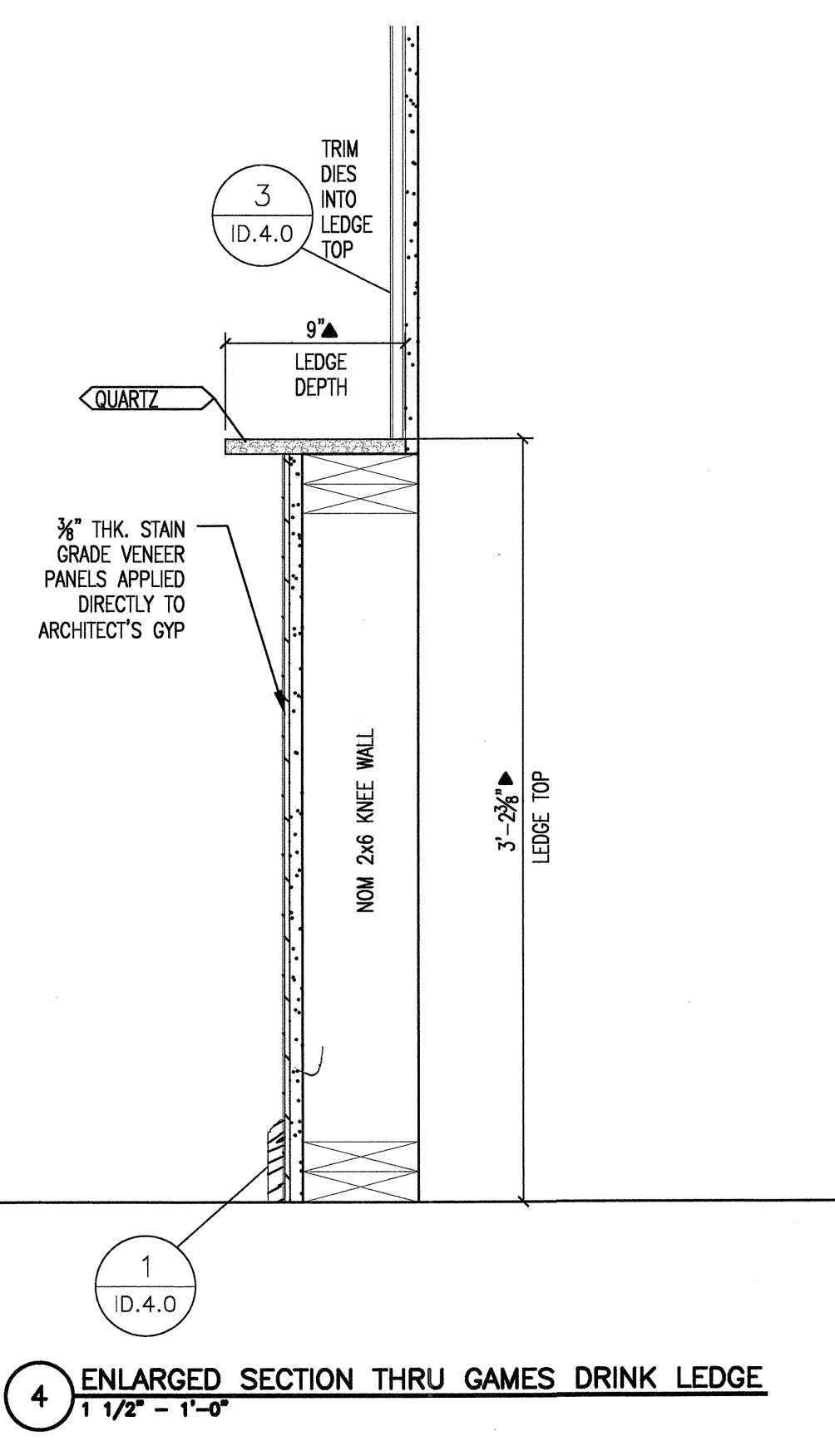
1 ENLARGED ELEVATION @ REAR WALL OF GAMES
3/4" = 1'-0"



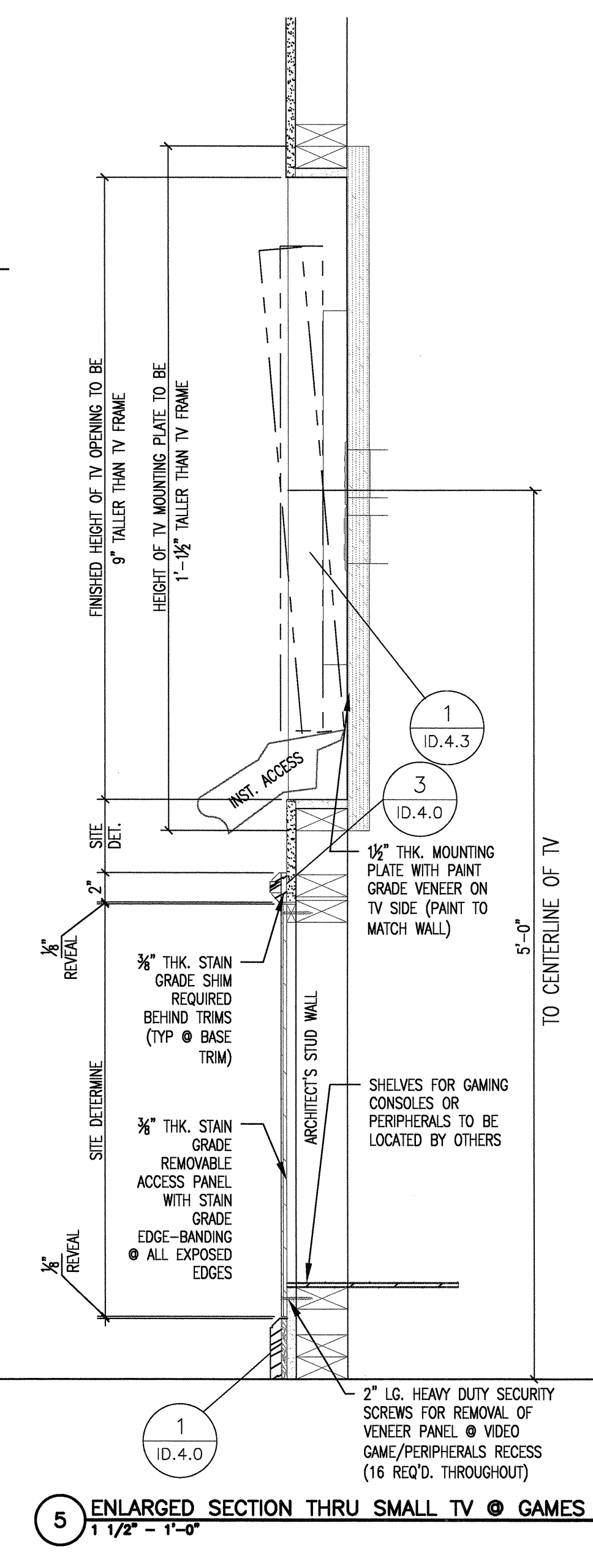
2 SECTION @ FRAMING FOR SMALL TVs IN ANGLED WALLS
3/4" = 1'-0"



3 ELEVATION @ SMALL TVs IN ANGLED WALLS
3/4" = 1'-0"



4 ENLARGED SECTION THRU GAMES DRINK LEDGE
1 1/2" = 1'-0"



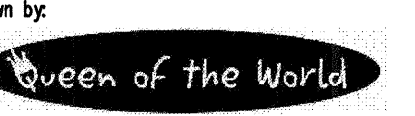
5 ENLARGED SECTION THRU SMALL TV @ GAMES
1 1/2" = 1'-0"

ADDED FABRICATION DETAILS 5-16-12

© 2012 M. FORD & ASSOCIATES INC. THIS DOCUMENT IS PUBLISHED AS AN INSTRUMENT OF SERVICE AND IS GIVEN IN CONFIDENCE. IT REMAINS THE PROPERTY OF M. FORD & ASSOCIATES, INC. THIS DOCUMENT AND THE INFORMATION CONTAINED WITHIN MAY NOT BE REPRODUCED OR DISCLOSED WITHOUT WRITTEN CONSENT OF M. FORD & ASSOCIATES, INC., HOUSTON, TEXAS.



m. ford & associates
interior design
99 deterring street
suite 165
houston, tx 77007
phone 713-630-0800
fax 713-630-0814
mford@mfordassociates.com
www.mfordassociates.com



SHEET NO.

ID.7.3