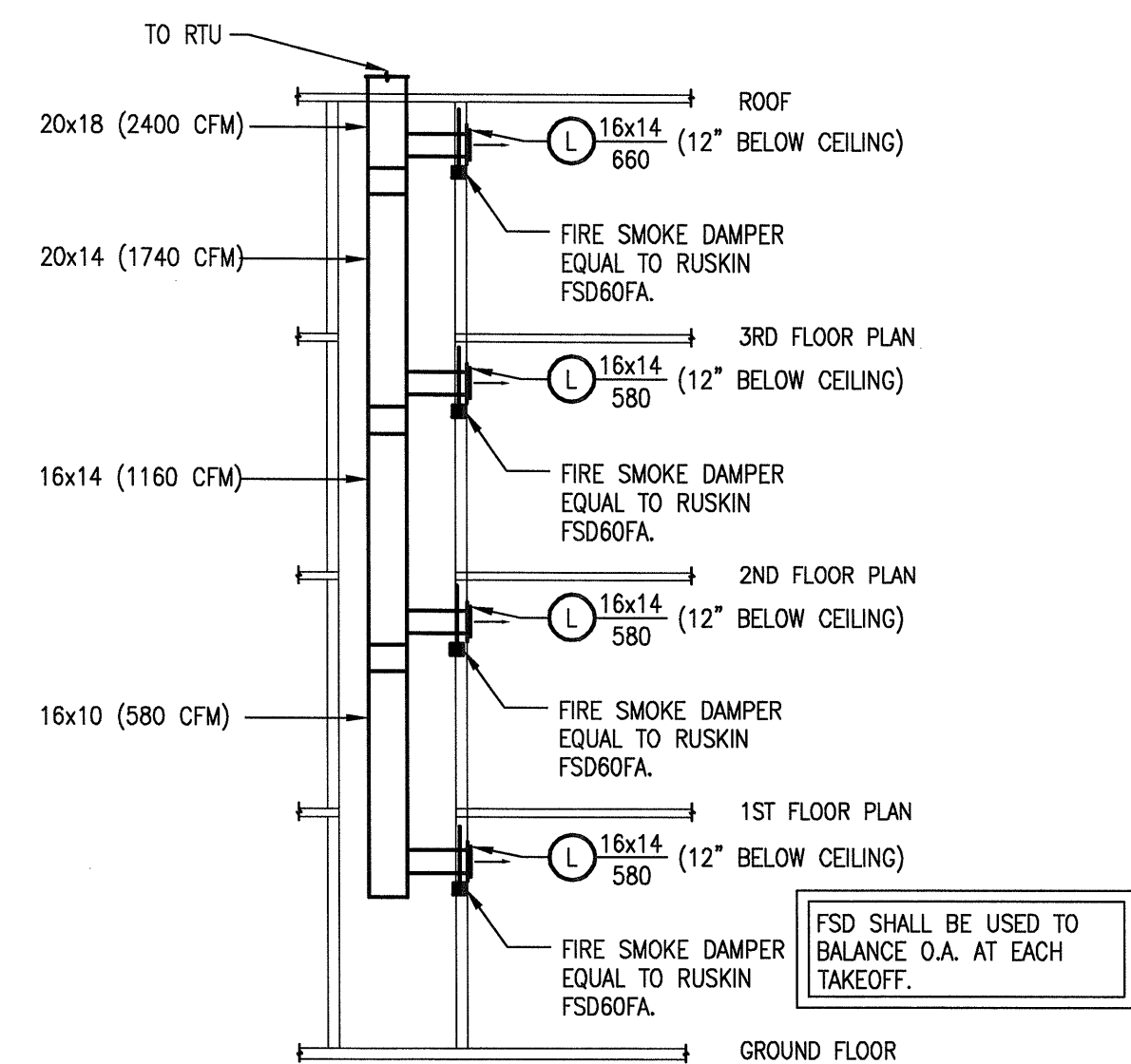
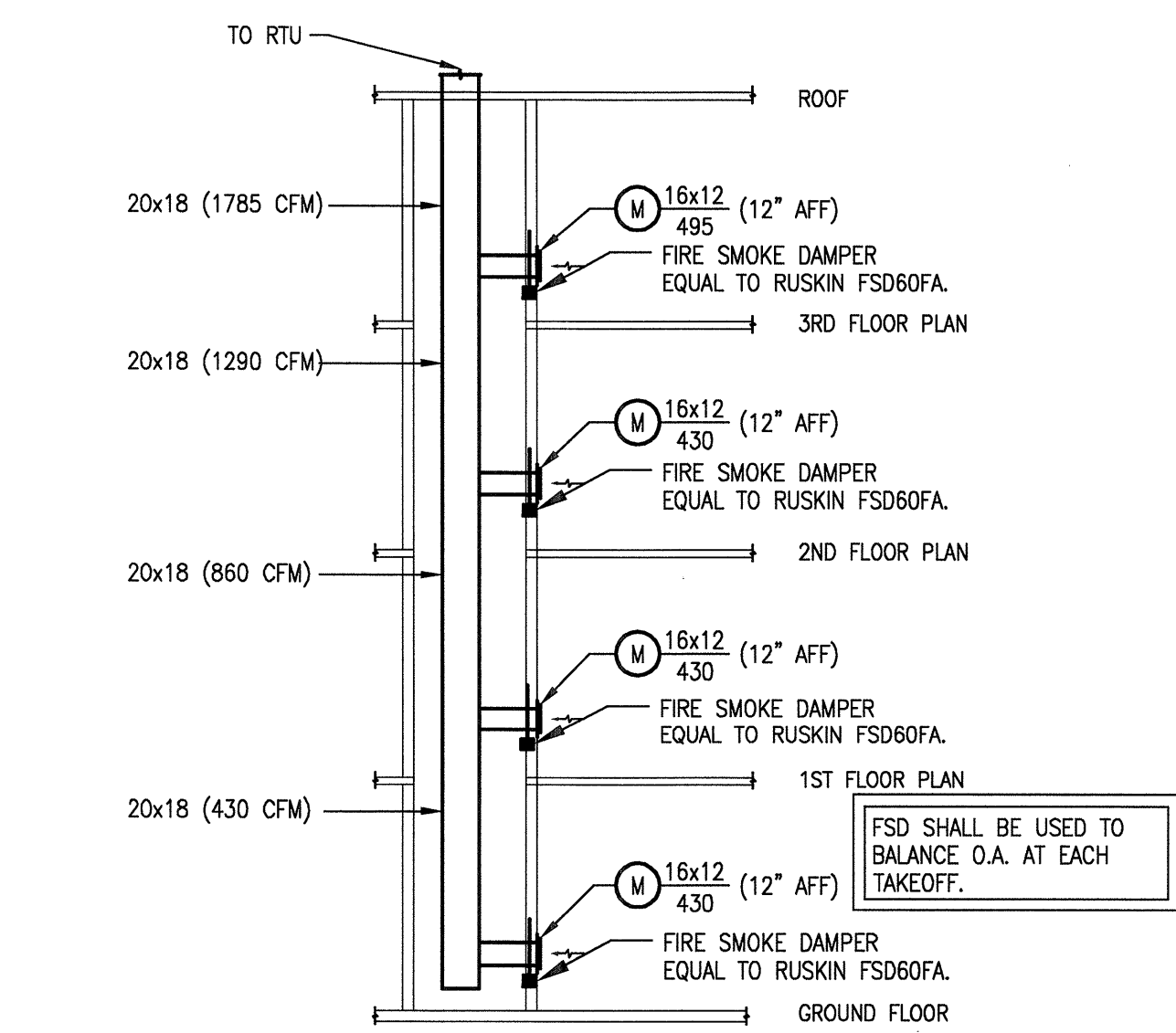


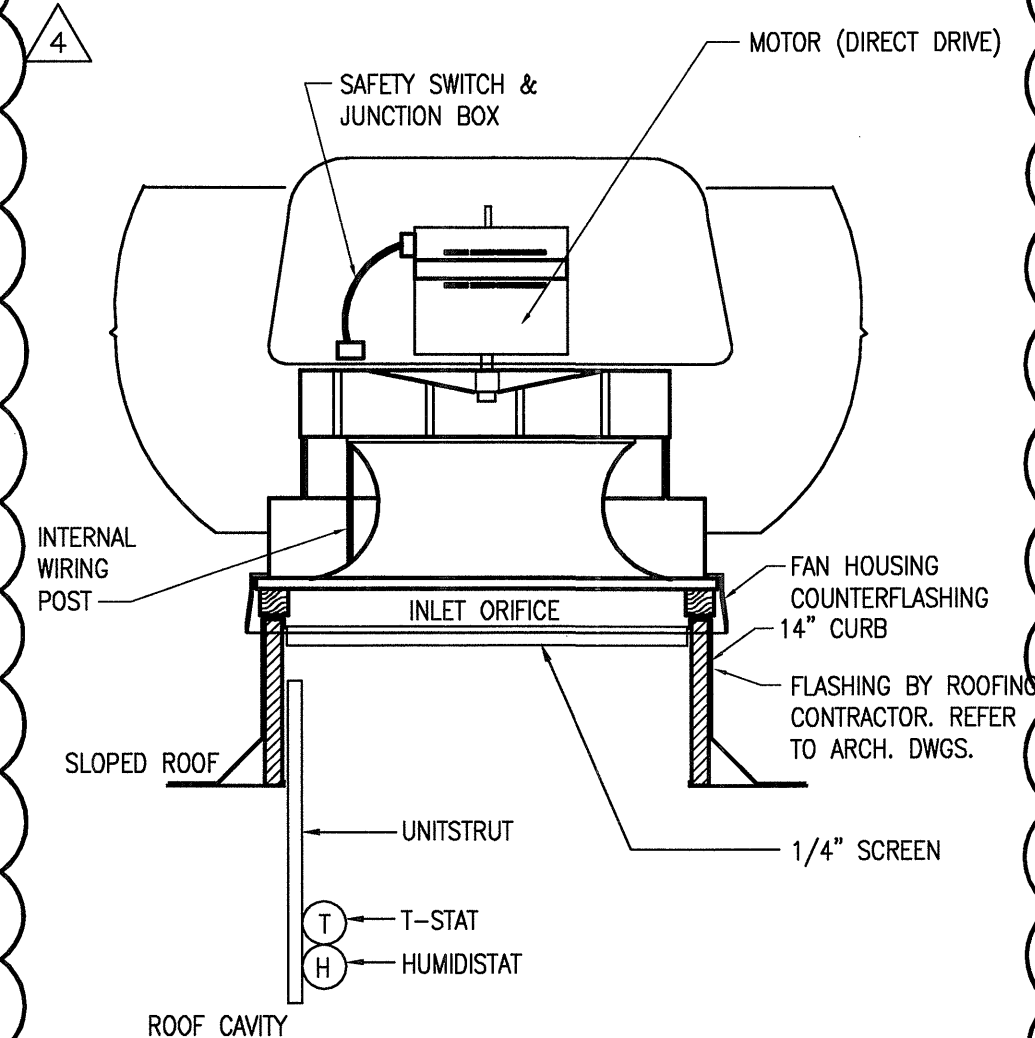
ROOF TOP AIR CONDITIONER DETAIL
SCHEMATIC - NO SCALE



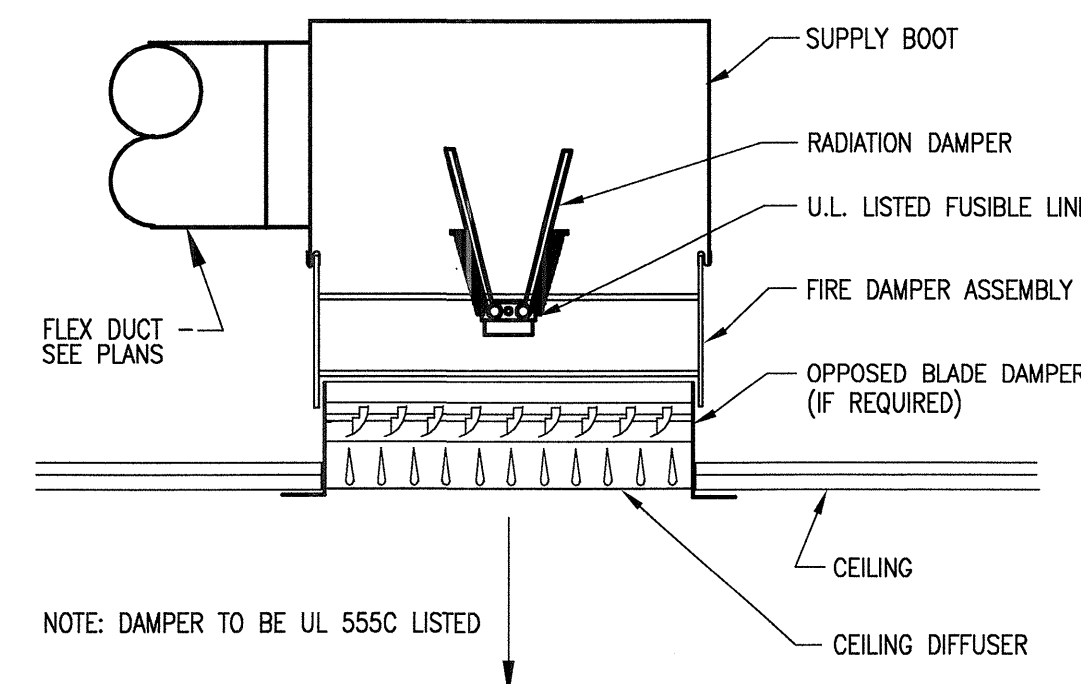
4 STORY CORRIDOR SUPPLY AIR RISER
SCHEMATIC - NO SCALE



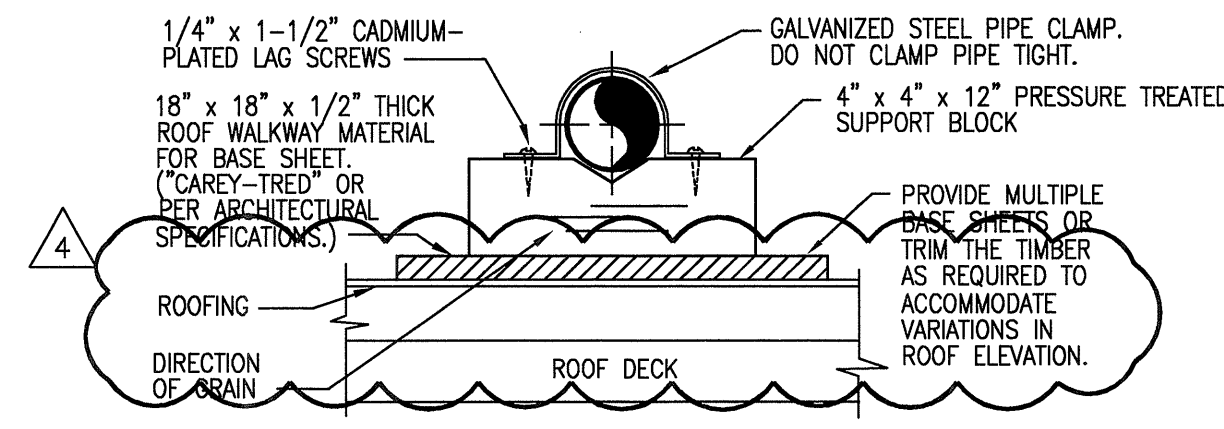
4 STORY CORRIDOR RETURN AIR RISER
SCHEMATIC - NO SCALE



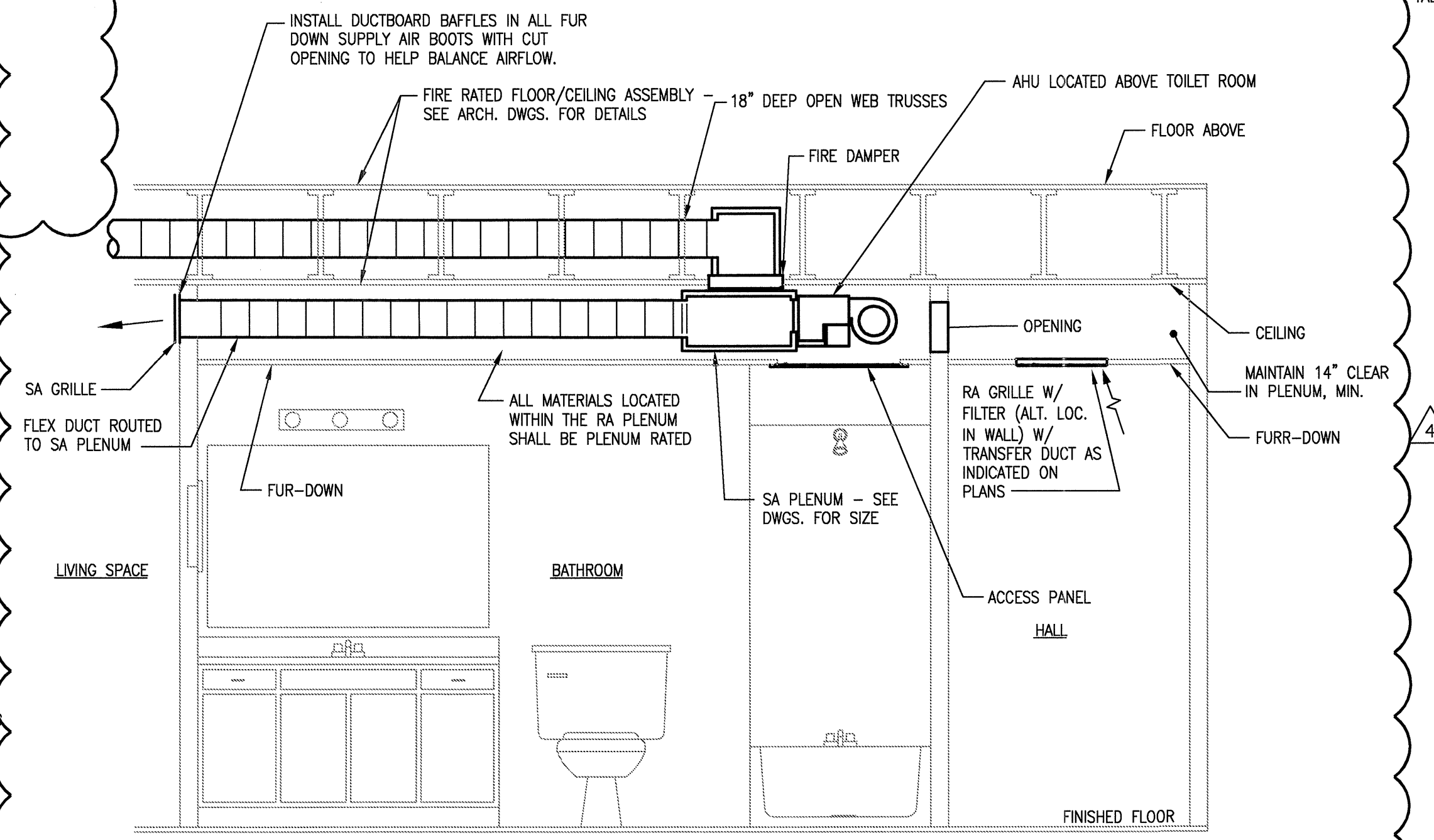
ROOF VENTILATION FAN
SCHEMATIC - NO SCALE



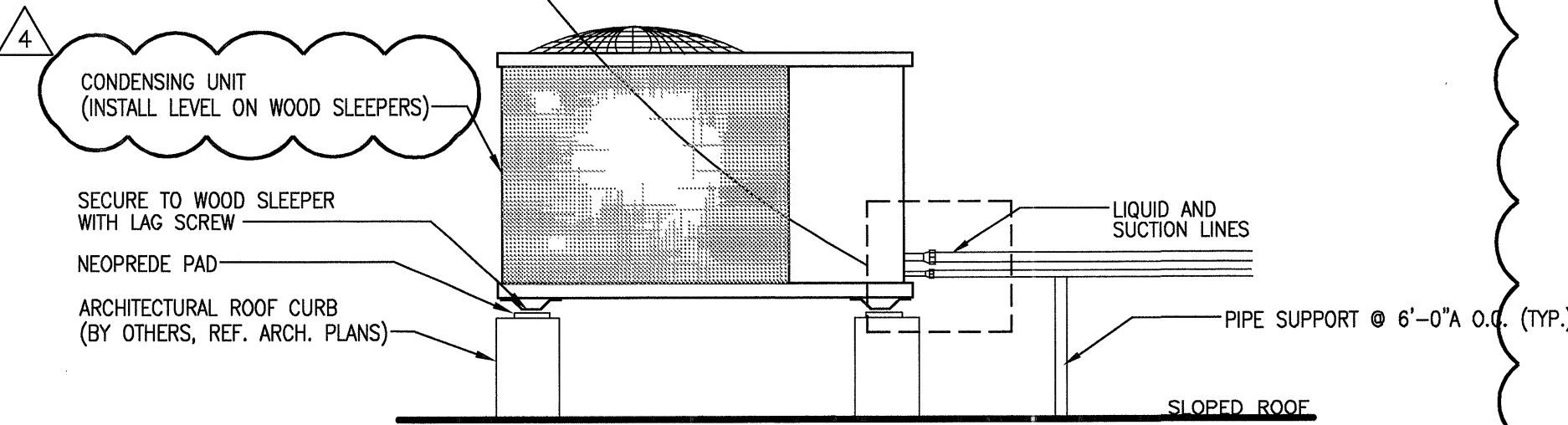
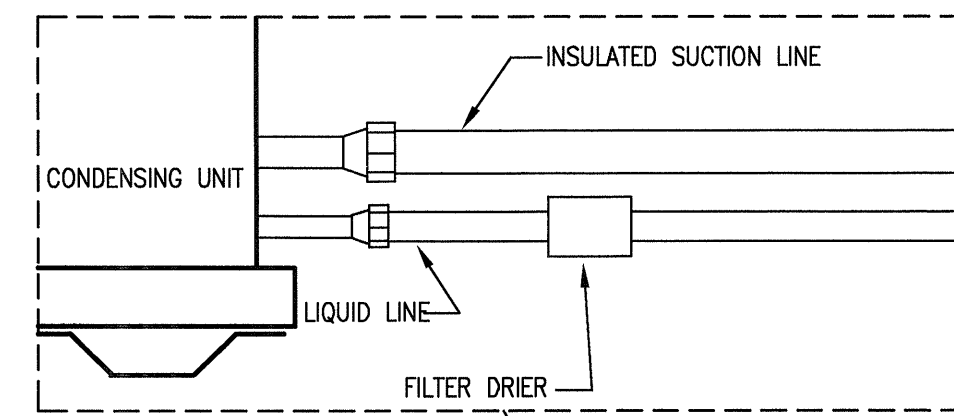
CEILING RADIATION DAMPER DETAIL
SCHEMATIC - NO SCALE



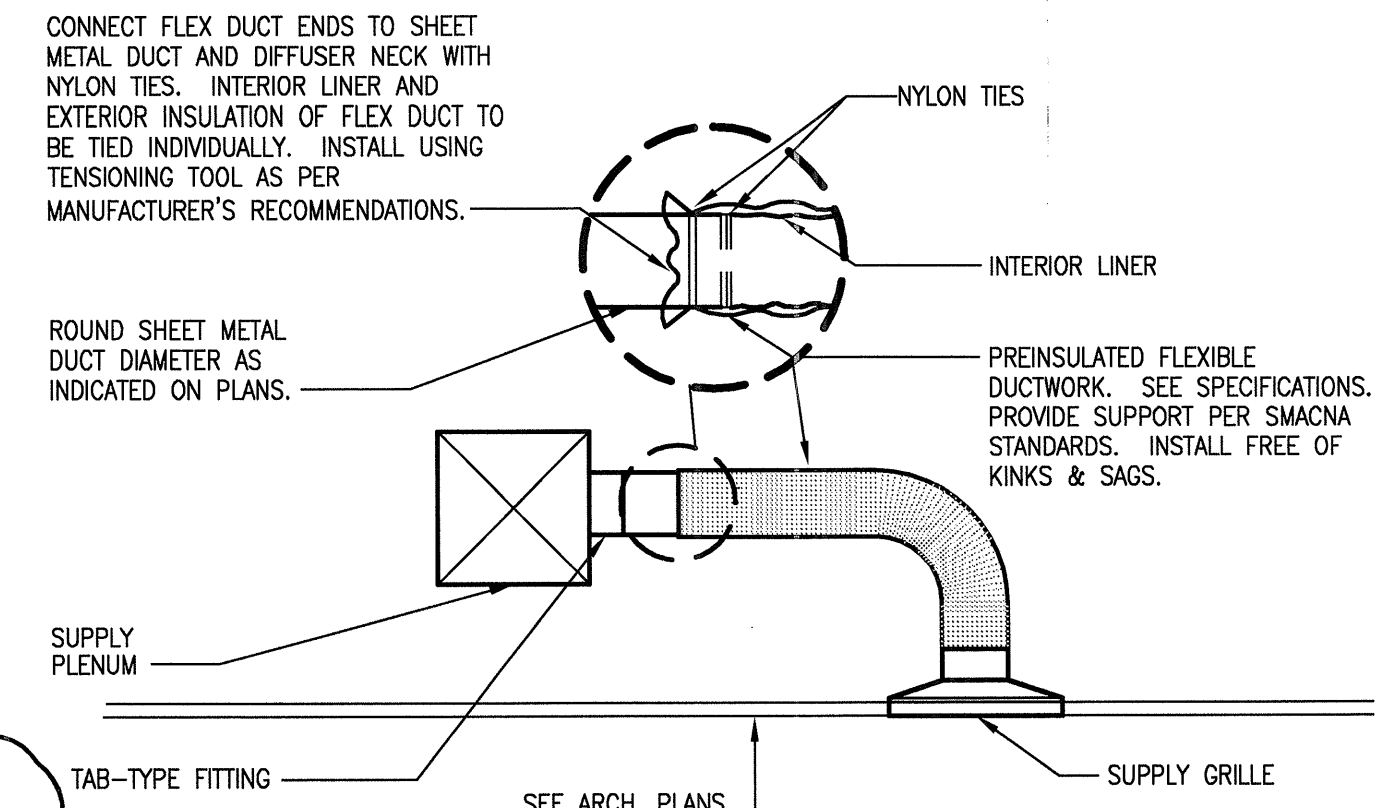
PIPING SUPPORT (CONDENSATE)
SCHEMATIC - NO SCALE



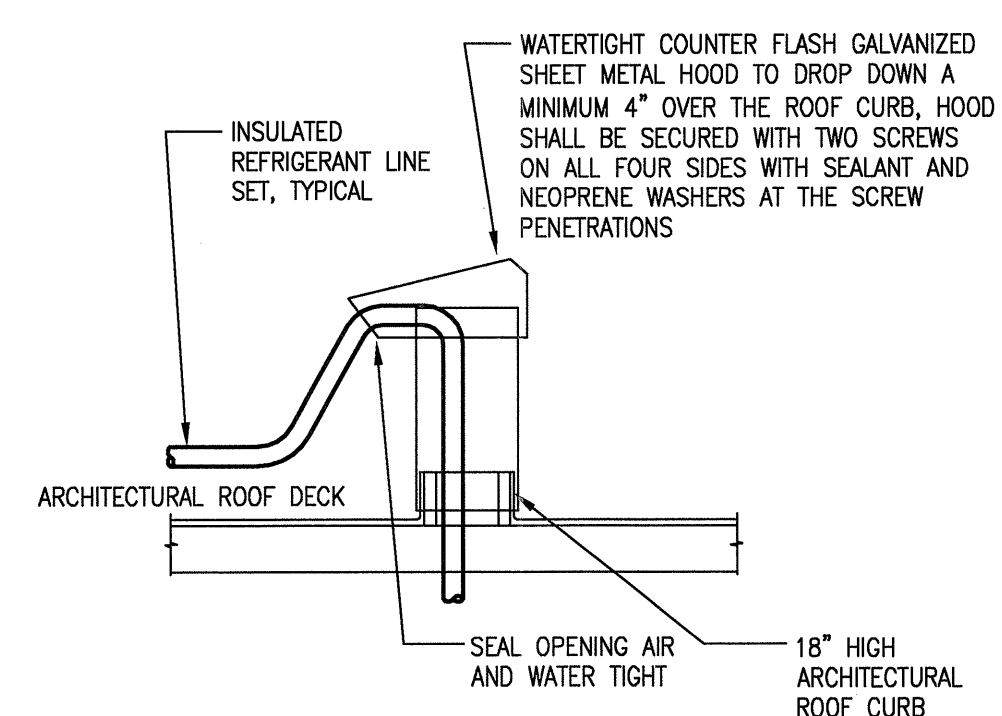
TYPICAL SECTION THROUGH BATHROOM
SCHEMATIC - NO SCALE



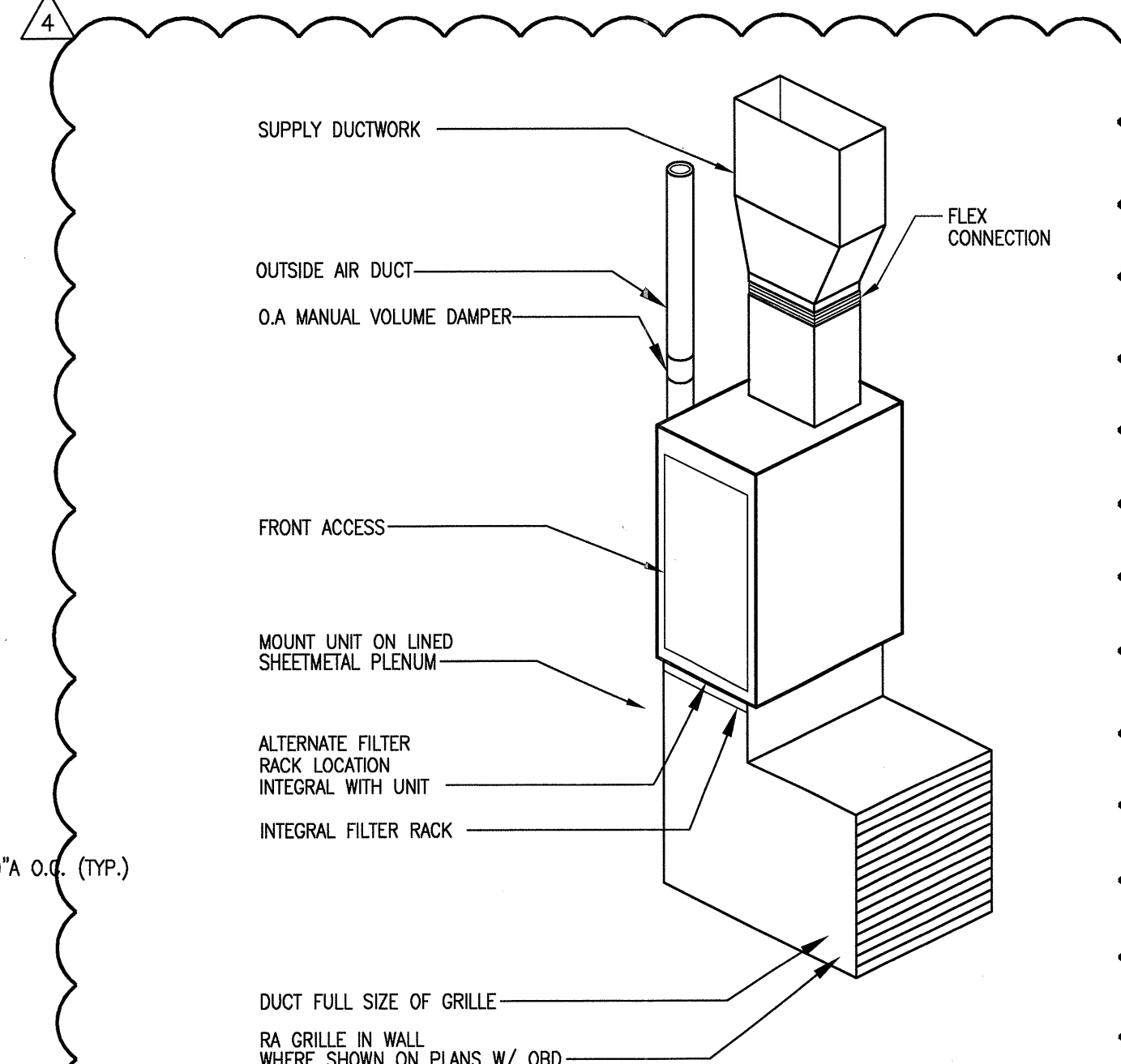
SPLIT SYSTEM OUTDOOR CONDENSING UNIT MOUNTING
SCHEMATIC - NO SCALE



FLEXIBLE DUCT TAKE-OFF DETAIL
SCHEMATIC - NO SCALE



REFRIGERANT LINE SET HOOD DETAIL
SCHEMATIC - NO SCALE



(COMMON AREA) AH MOUNTING DETAIL
SCHEMATIC - NO SCALE



REVISIONS

1	9-2-2011	DESIGN REVISIONS
2	9-13-2011	ANSI/FHA COMMENTS
3	9-23-2011	DESIGN REVISIONS
4	10-17-2011	CONSTRUCTION ISSUE

KELLER SPRINGS LOFTS
 LOFT APARTMENTS IN ADDISON, TEXAS

BGO architects
 4144 N. Central Expy. Suite 855
 Dallas, TX 75204
 214.520.8878
 bgoarchitects.com

DATE
 08-05-11

PROJECT
 11129

SHEET NUMBER

M-1.2
DETAILS MECHANICAL

JSE Jordan & Skala Engineers
 14270 Midway Road, Suite 330
 Dallas, TX 75244-5138
 V: (469) 385-1818 F: (469) 385-1615
 Project Number - 113-0355 Texas Firm Registration # F-4990
 Drawn By: CJH Checked By: AHS