

REVISIONS		
1	9-2-2011	DESIGN REVISIONS
2	9-13-2011	ANSI/FHA COMMENTS
3	9-23-2011	DESIGN REVISIONS
4	10-17-2011	CONSTRUCTION ISSUE

KELLER SPRINGS LOFTS

LOFT APARTMENTS IN ADDISON, TEXAS

BGO architects
 4144 N. Central Expy. Suite 855
 Dallas, TX 75204
 214.520.8878
 bgoarchitects.com

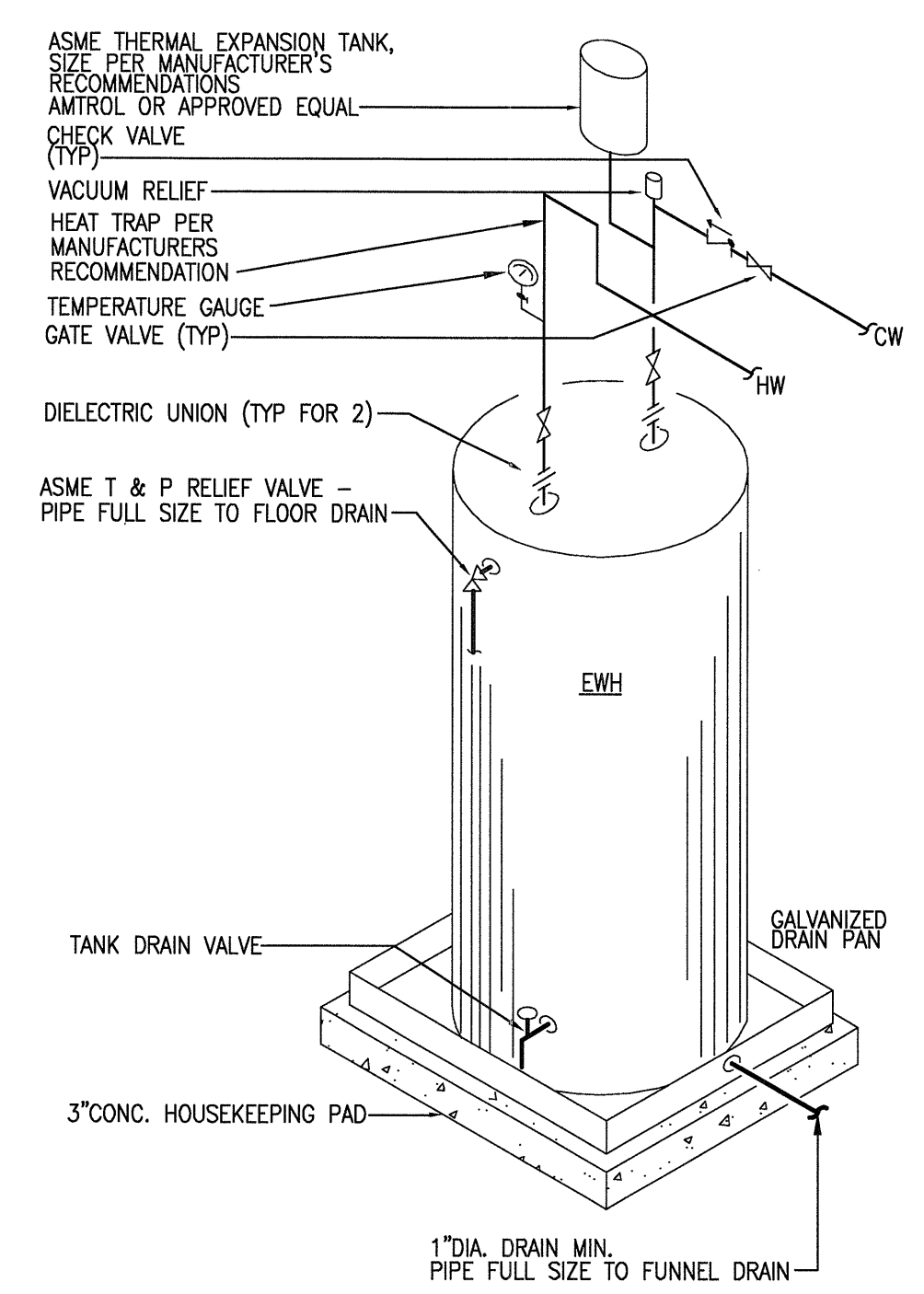
DATE
 08-05-11

PROJECT
 11129

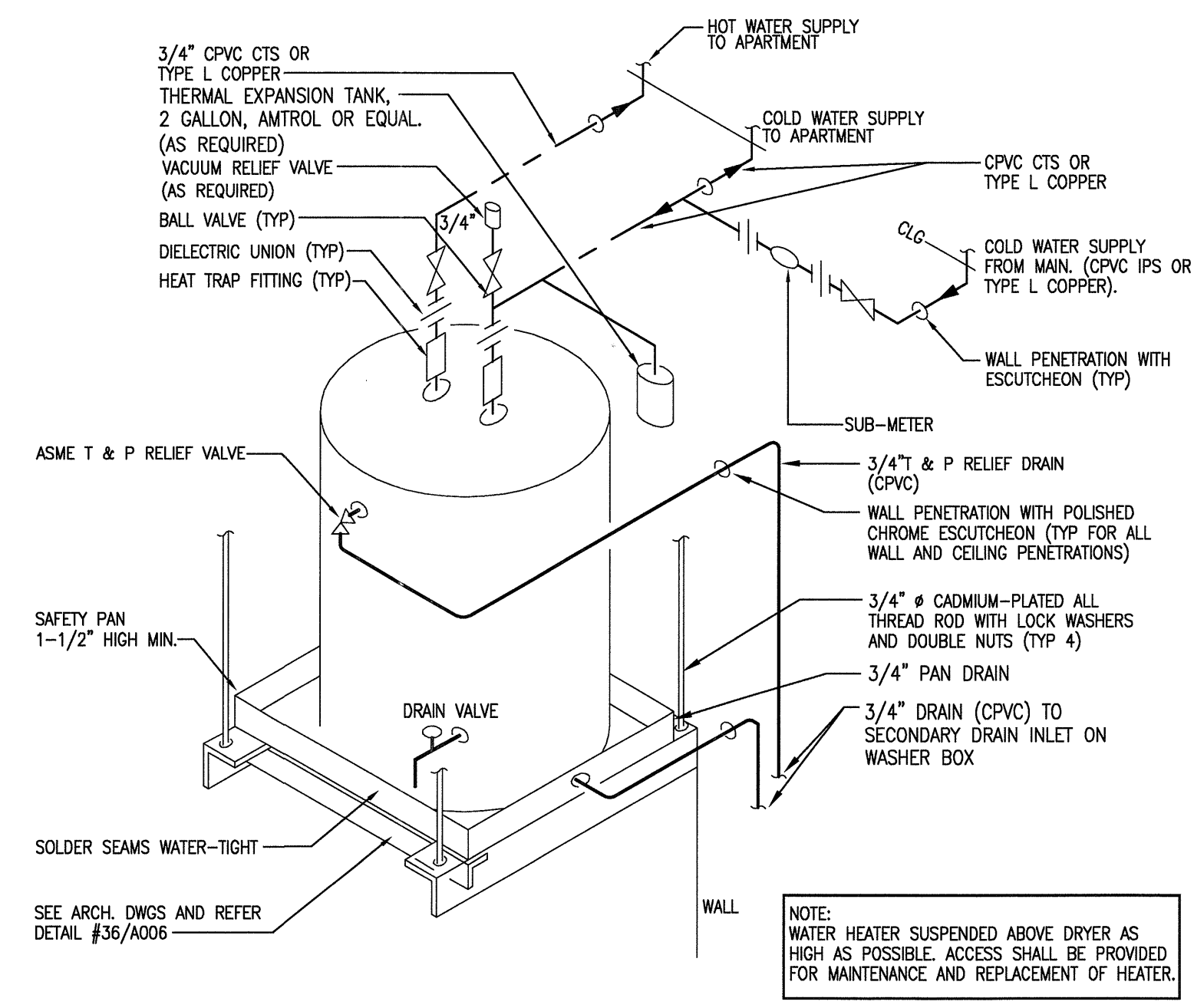
SHEET NUMBER

P-0.2

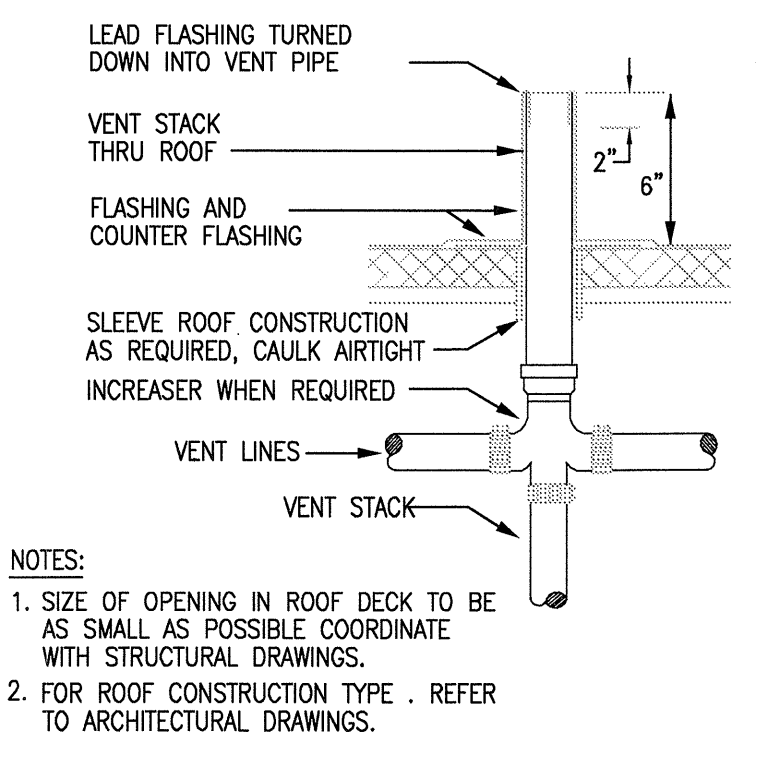
JSE Jordan & Skala Engineers
 14240 Midway Road, Suite 350
 Dallas, TX 75244-9518
 V: (469) 385-1676 F: (469) 385-1615
 Project Number - 113-0355 Texas Firm Registration # F-4990
 Drawn By: CV Checked By: RC



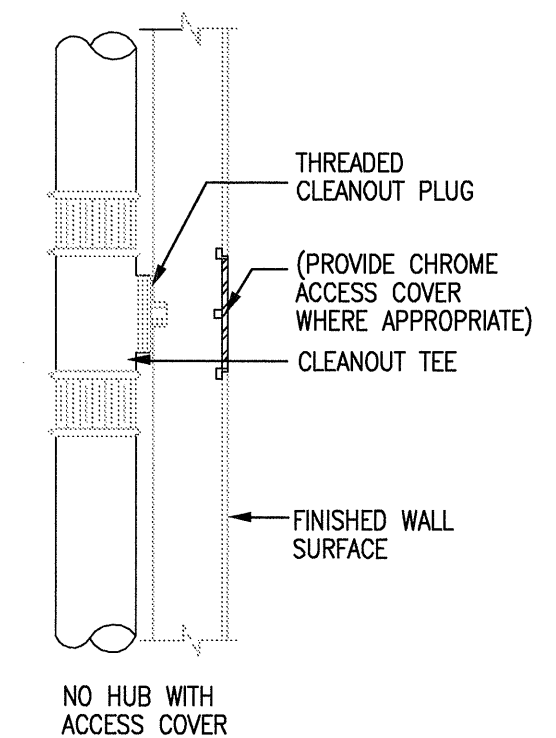
WATER HEATER - FLOOR MTD.
 NOT TO SCALE



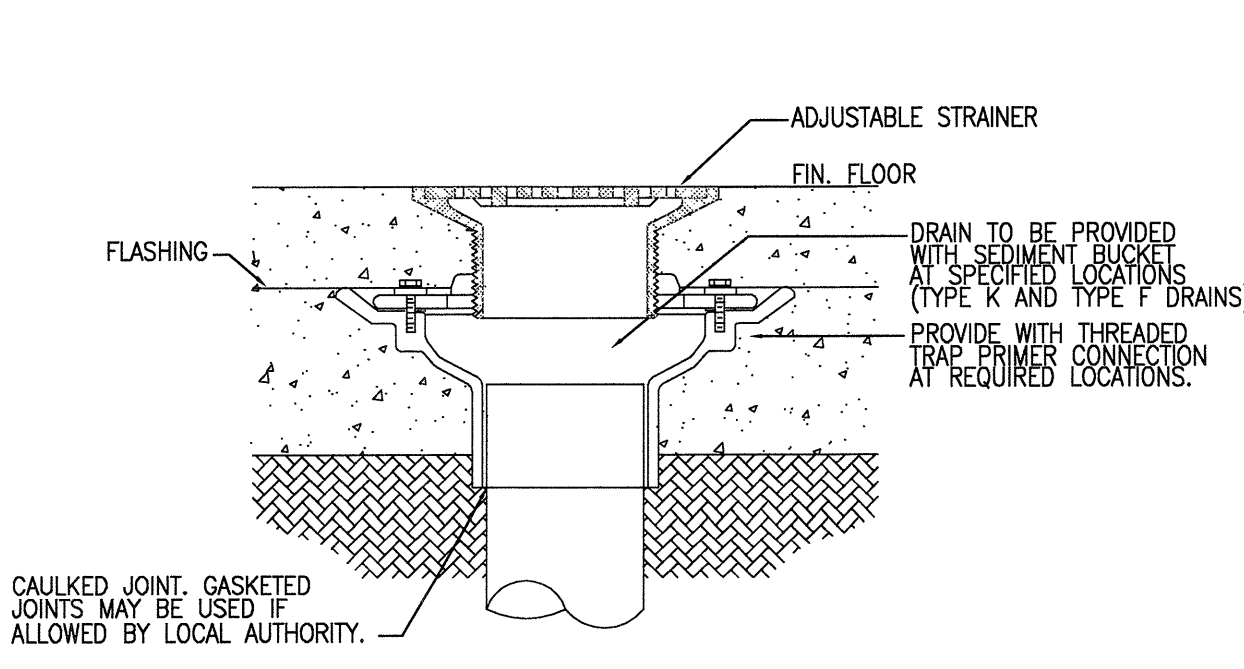
WATER HEATER - ABOVE DRYER
 NOT TO SCALE



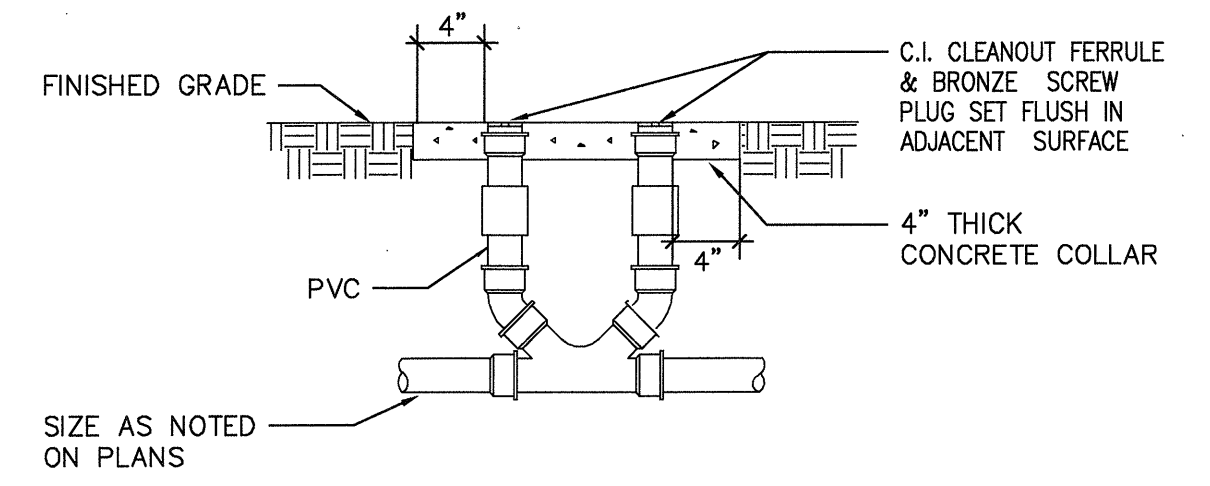
VENT STACK
 NOT TO SCALE



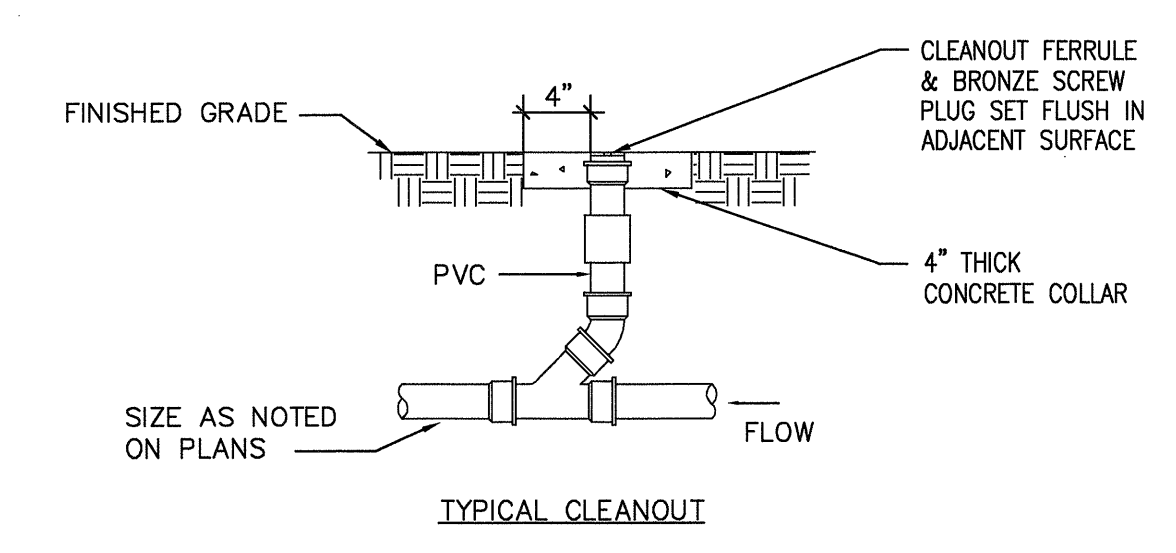
WALL CLEANOUT
 NOT TO SCALE



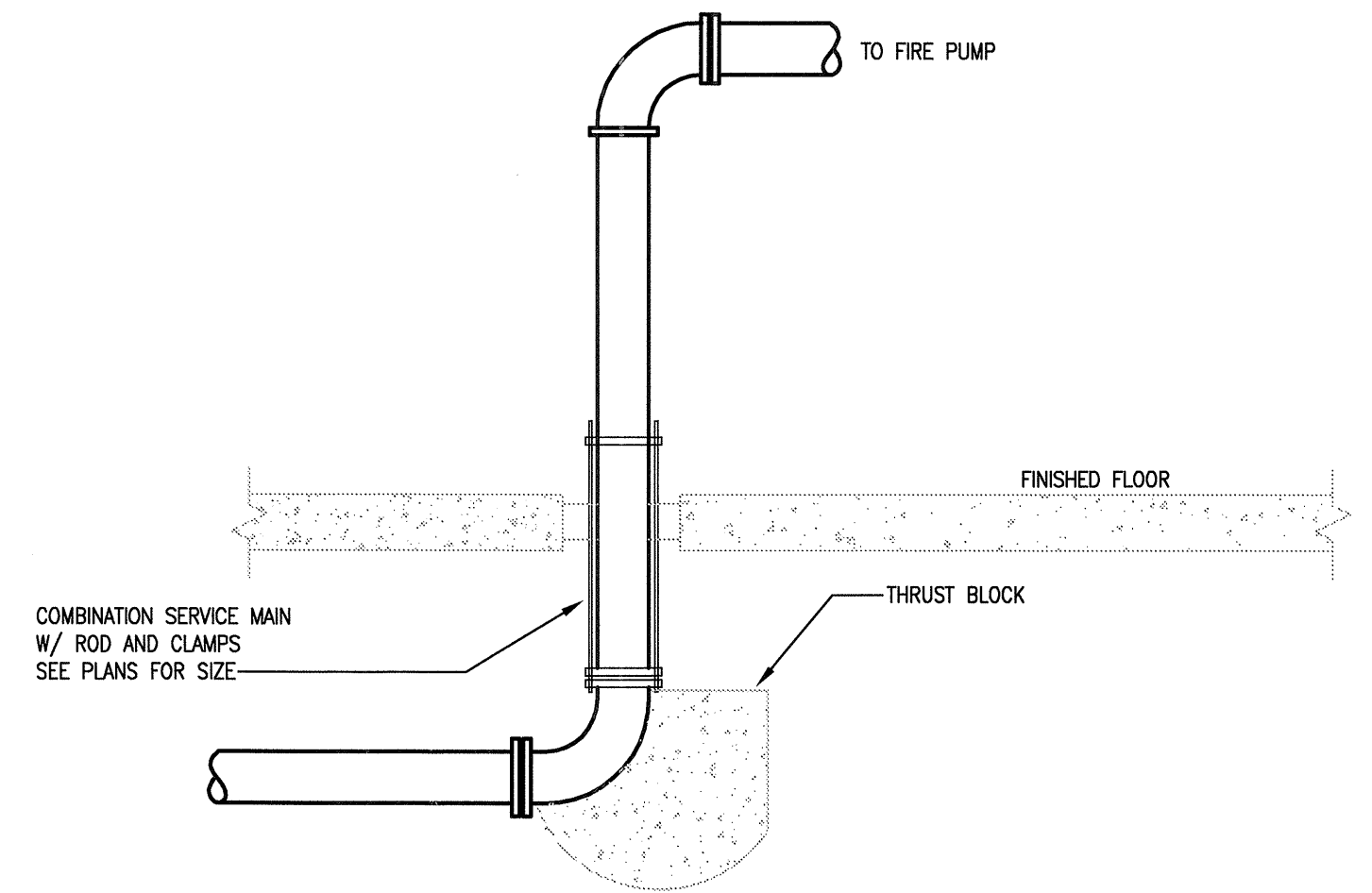
FLOOR DRAIN
 NOT TO SCALE



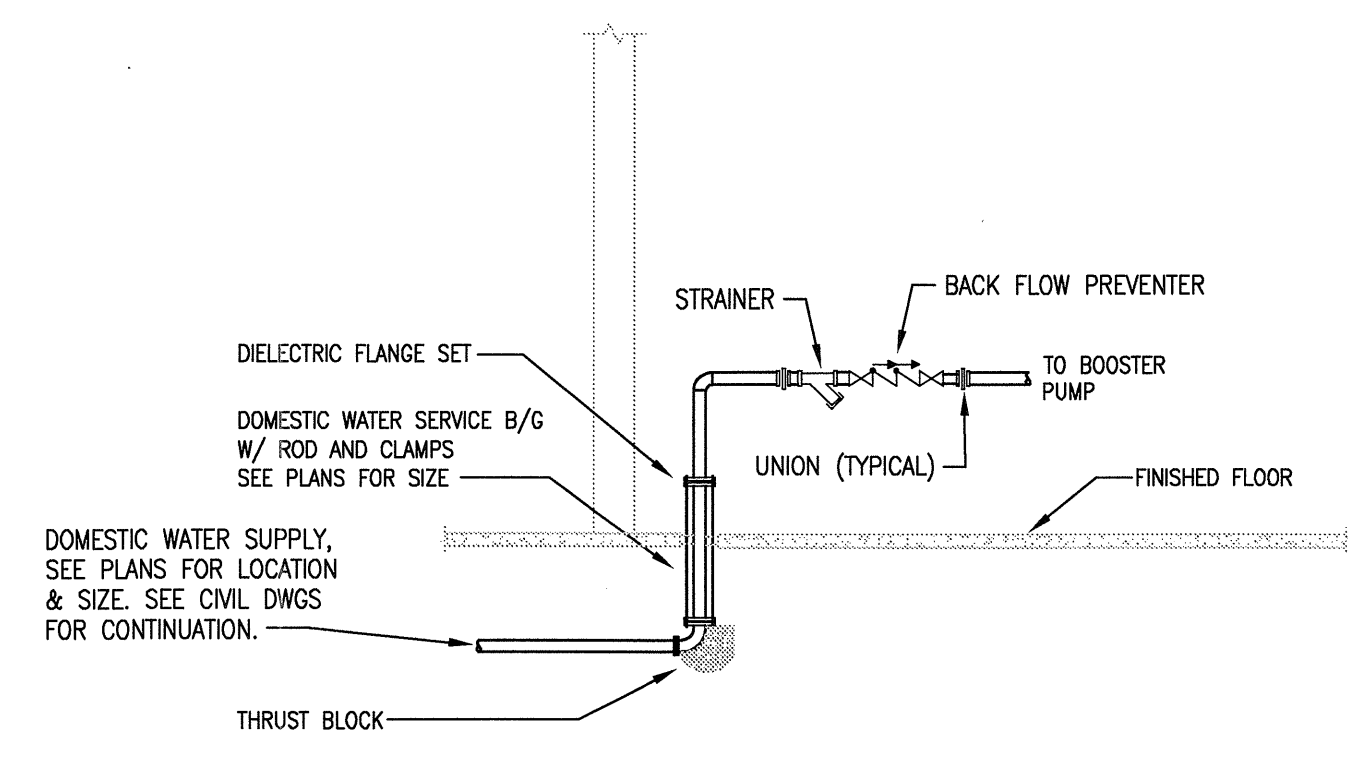
TWO WAY CLEANOUT
 NOT TO SCALE



YARD CLEANOUT
 NOT TO SCALE

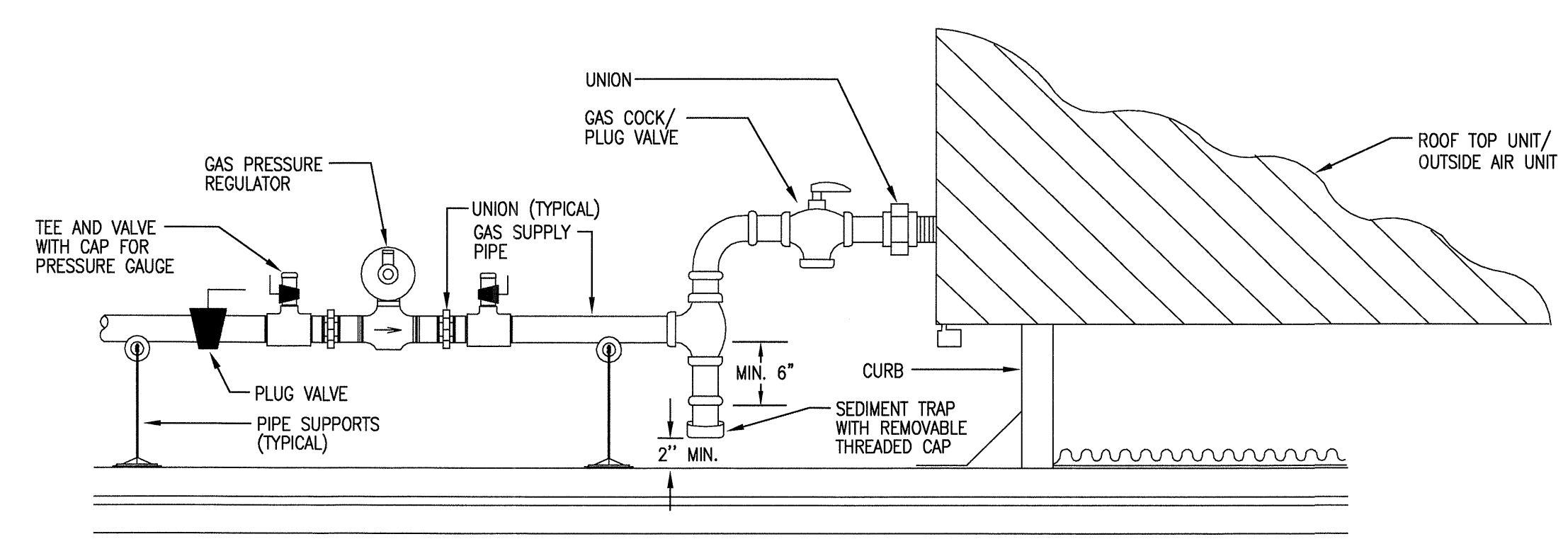


FIRE SERVICE ENTRANCE
 SCALE: NOT TO SCALE

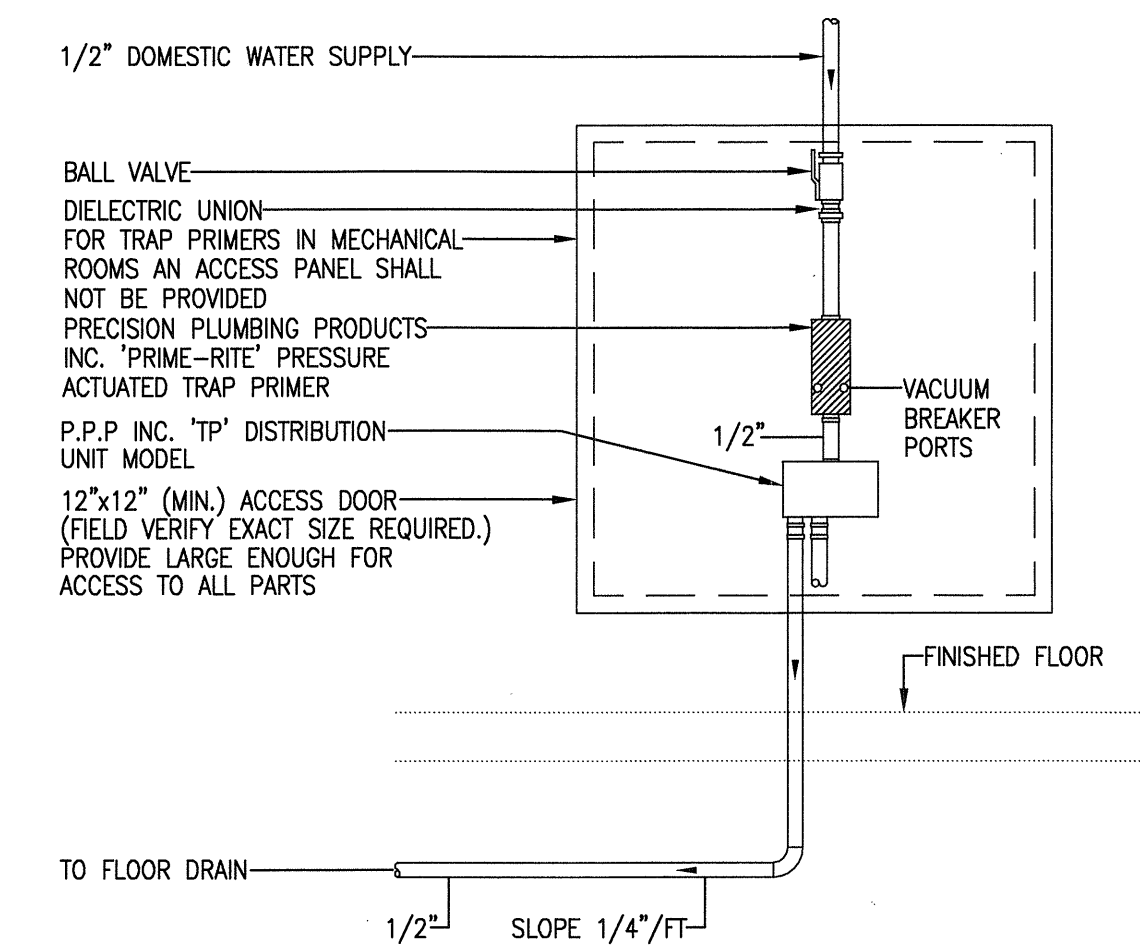


WATER SERVICE ENTRANCE
 SCALE: NOT TO SCALE

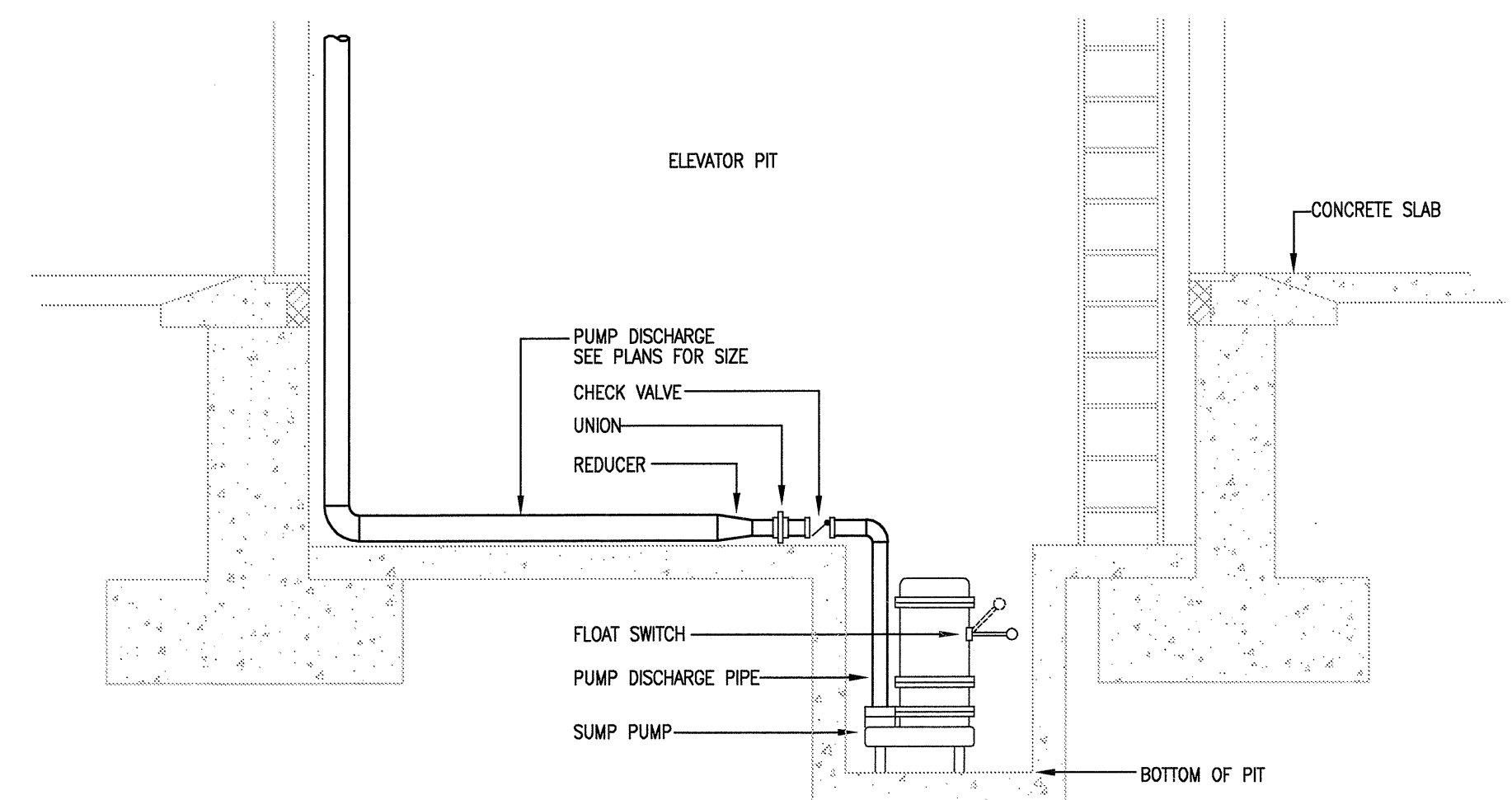
1
 3



ROOF TOP UNIT GAS PIPING CONNECTION
 NOT TO SCALE



TRAP PRIMER
 NOT TO SCALE



ELEVATOR SUMP PUMP
 NOT TO SCALE