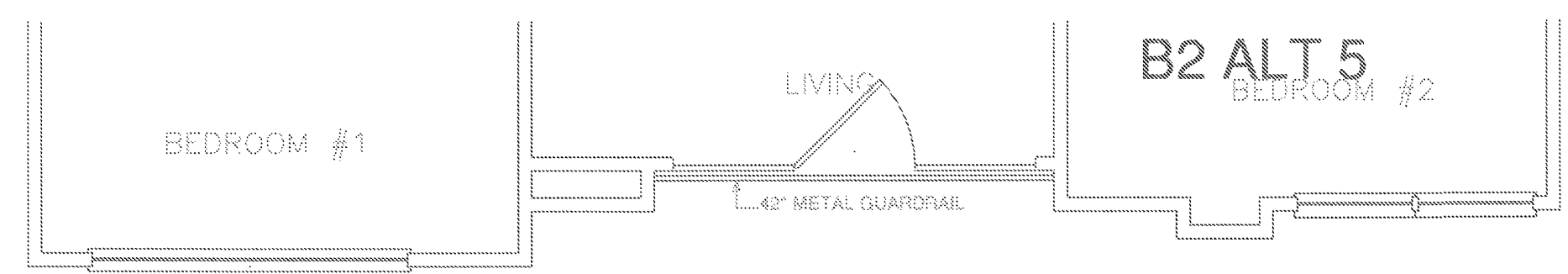
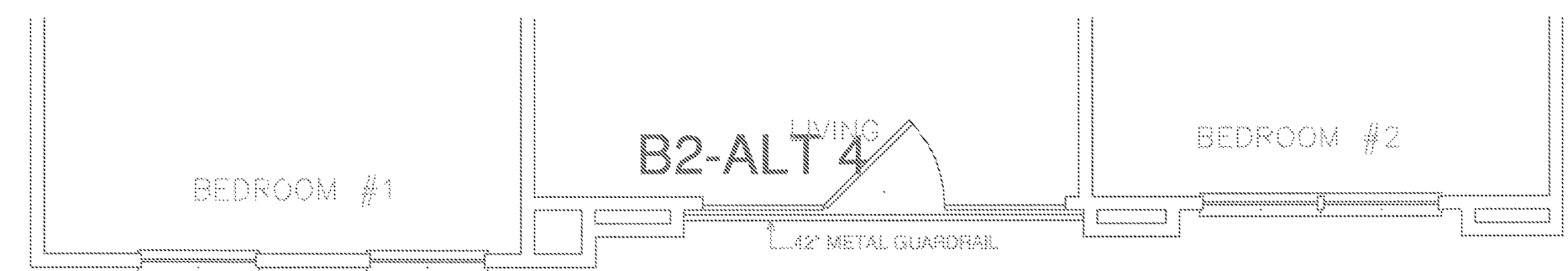


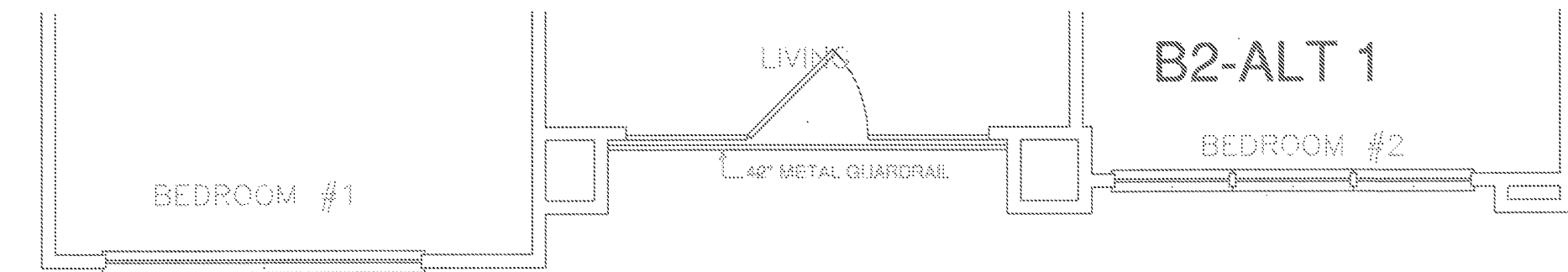
REVISIONS	
1	9-2-2011 DESIGN REVISIONS
2	9-13-2011 ANSI/FHA COMMENTS
3	9-23-2011 DESIGN REVISIONS
4	10-17-2011 CONSTRUCTION ISSUE



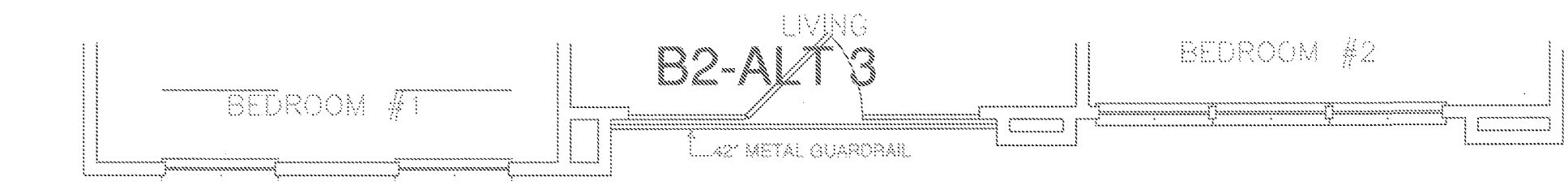
6 UNIT B2 - ALT 5
SCALE: 1/4" = 1'-0" OCCURS AT: (3) TOTAL UNITS ON SITE



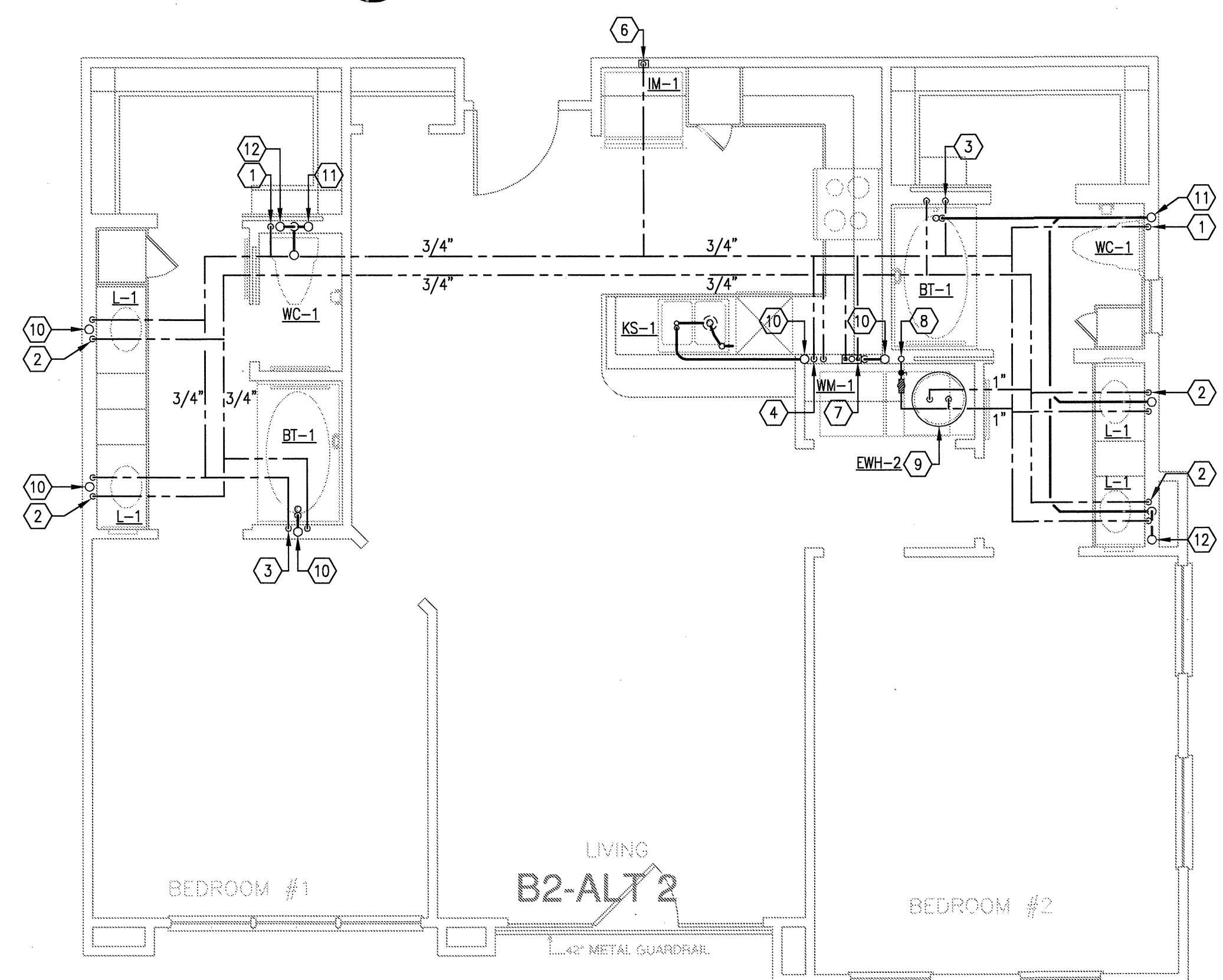
5 UNIT B2 - ALT 4
SCALE: 1/4" = 1'-0" OCCURS AT: (3) TOTAL UNITS ON SITE



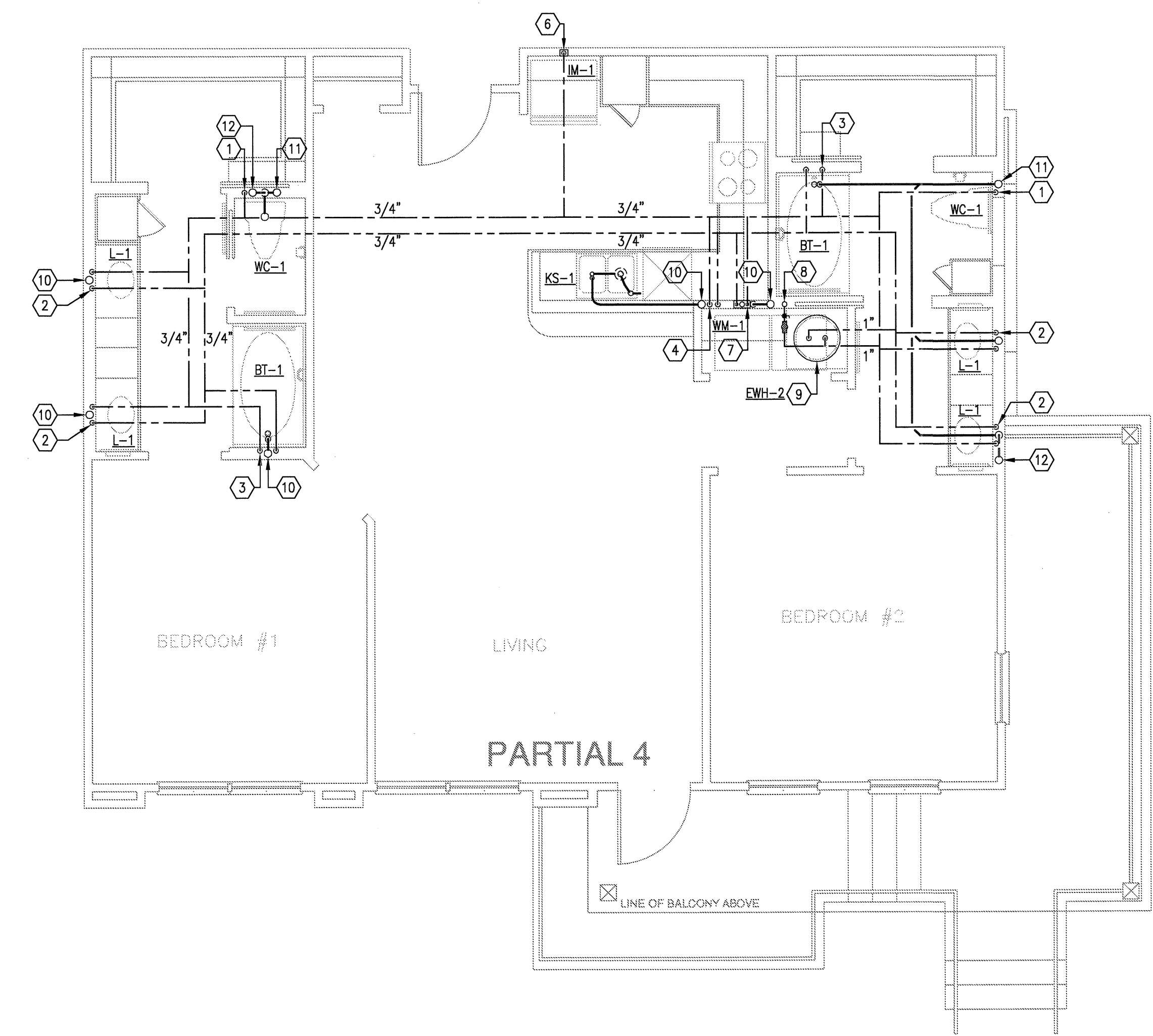
2 UNIT B2 - ALT 1
SCALE: 1/4" = 1'-0" OCCURS AT: (6) TOTAL UNITS ON SITE



4 UNIT B2 - ALT 3
SCALE: 1/4" = 1'-0" OCCURS AT: (3) TOTAL UNITS ON SITE



3 UNIT B2 - ALT 2
SCALE: 1/4" = 1'-0" OCCURS AT: (3) TOTAL UNITS ON SITE



1 UNIT B2 - PARTIAL 4
SCALE: 1/4" = 1'-0" OCCURS AT: (1) TOTAL UNITS ON SITE

KEY NOTES:

- 1 1/2" CW DOWN IN WALL TO WATER CLOSET.
- 2 1/2" H & CW DOWN IN WALL TO LAVATORY.
- 3 1/2" H & CW DOWN IN WALL TO BATHTUB/SHOWER. 3/4" H & CW DOWN IN WALL IF SERVING BATHTUB AND SHOWER.
- 4 1/2" H & CW TO SINK AND DISHWASHER. PROVIDE 1/2"x3/8" STOP ON CW. PROVIDE 1/2"x3/8"x3/8" STOP ON HW. 3/8" H & CW TO SINK FAUCET, 3/8" HW TO DISHWASHER.
- 5 DISPOSAL BELOW SINK WITH DISHWASHER WASTE CONNECTION. CONNECT DRAIN THRU AIR GAP TO DISPOSAL. DISPOSAL BY G.C. AND INSTALLED BY PLUMBING CONTRACTOR.
- 6 1/2" CW DOWN IN WALL TO ICE MAKER VALVE AND BOX.
- 7 WASHING MACHINE CONNECTION BOX 2" WASTE, 1/2" H & CW.
- 8 DOMESTIC WATER RISER. PROVIDE ISOLATION VALVE, REMOTE READ SUB-METER, AND PRV IF REQUIRED. REFER TO RISER DIAGRAM FOR SIZES.
- 9 ELECTRIC WATER HEATER. REFER TO DETAILS AND SCHEDULE.
- 10 3" SANITARY WASTE/VENT RISER PER IPC SEC 910.
- 11 3" SANITARY WASTE RISER.
- 12 3" SANITARY VENT RISER.

KELLER SPRINGS LOFTS
 LOFT APARTMENTS IN ADDISON, TEXAS

BGO architects
 4144 N. Central Exp., Suite 855
 Dallas, TX 75204
 214.520.8878
 bgoarchitects.com

DATE
 08-05-11

PROJECT
 11129

SHEET NUMBER

P-2.8