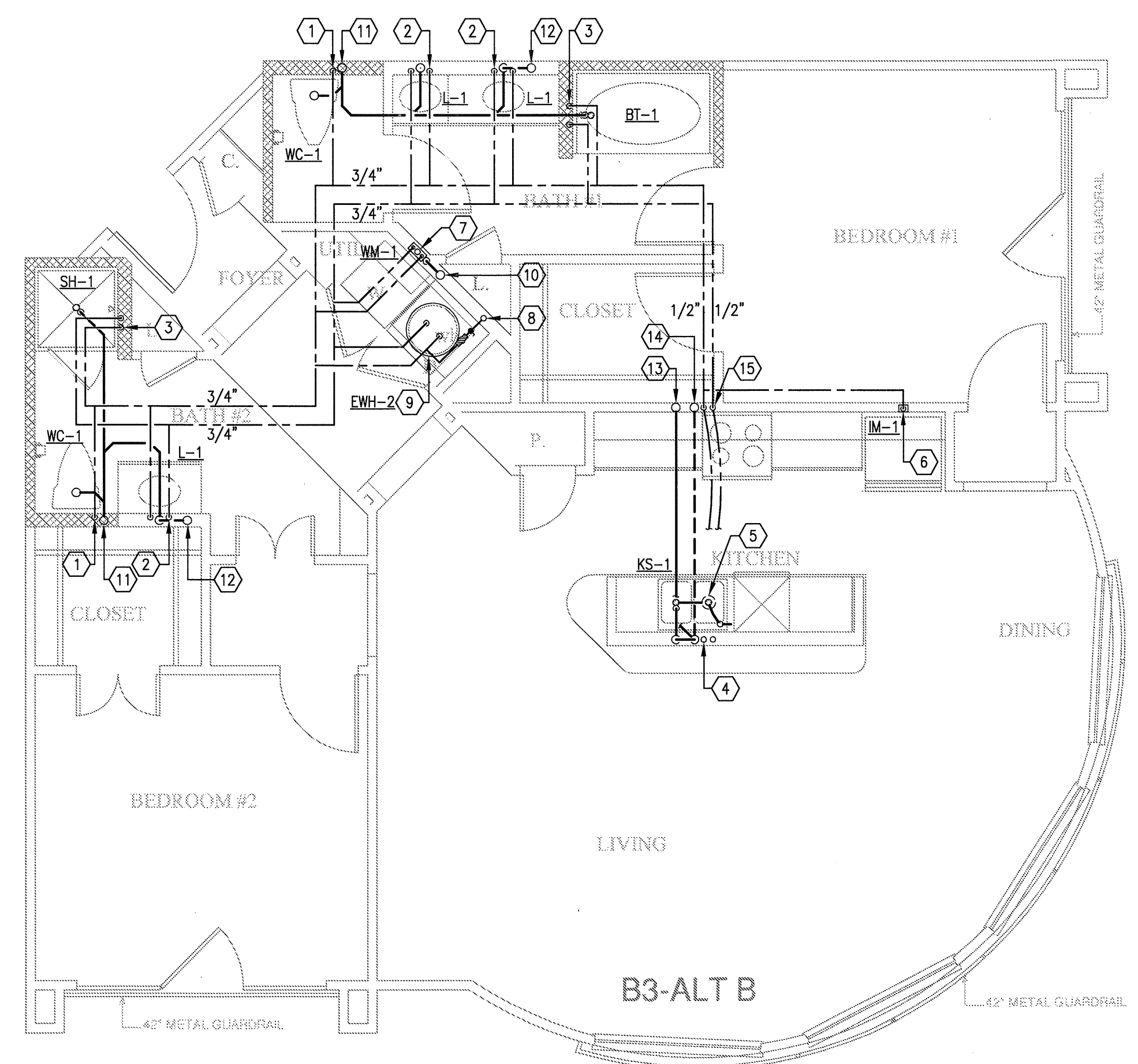
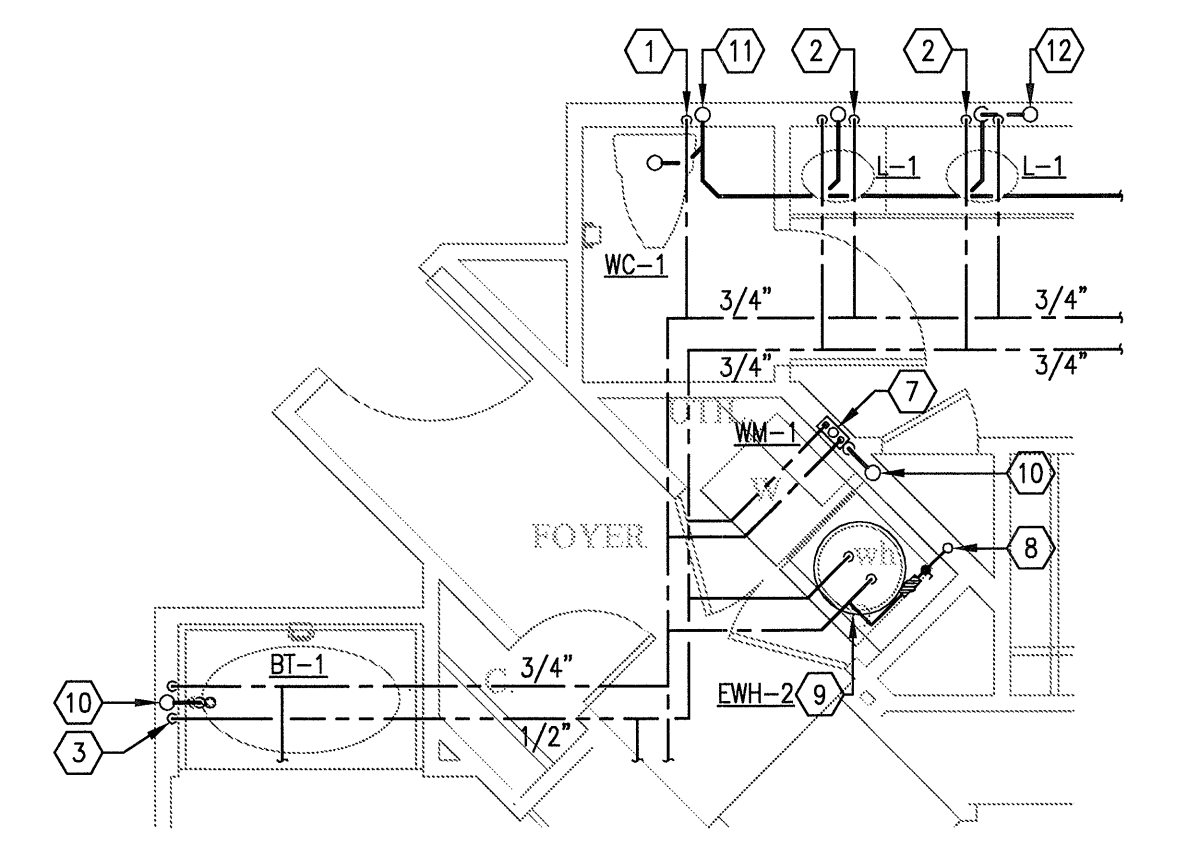


REVISIONS	
1	9-2-2011 DESIGN REVISIONS
2	9-13-2011 ANS/FHA COMMENTS
3	9-23-2011 DESIGN REVISIONS
4	10-17-2011 CONSTRUCTION ISSUE

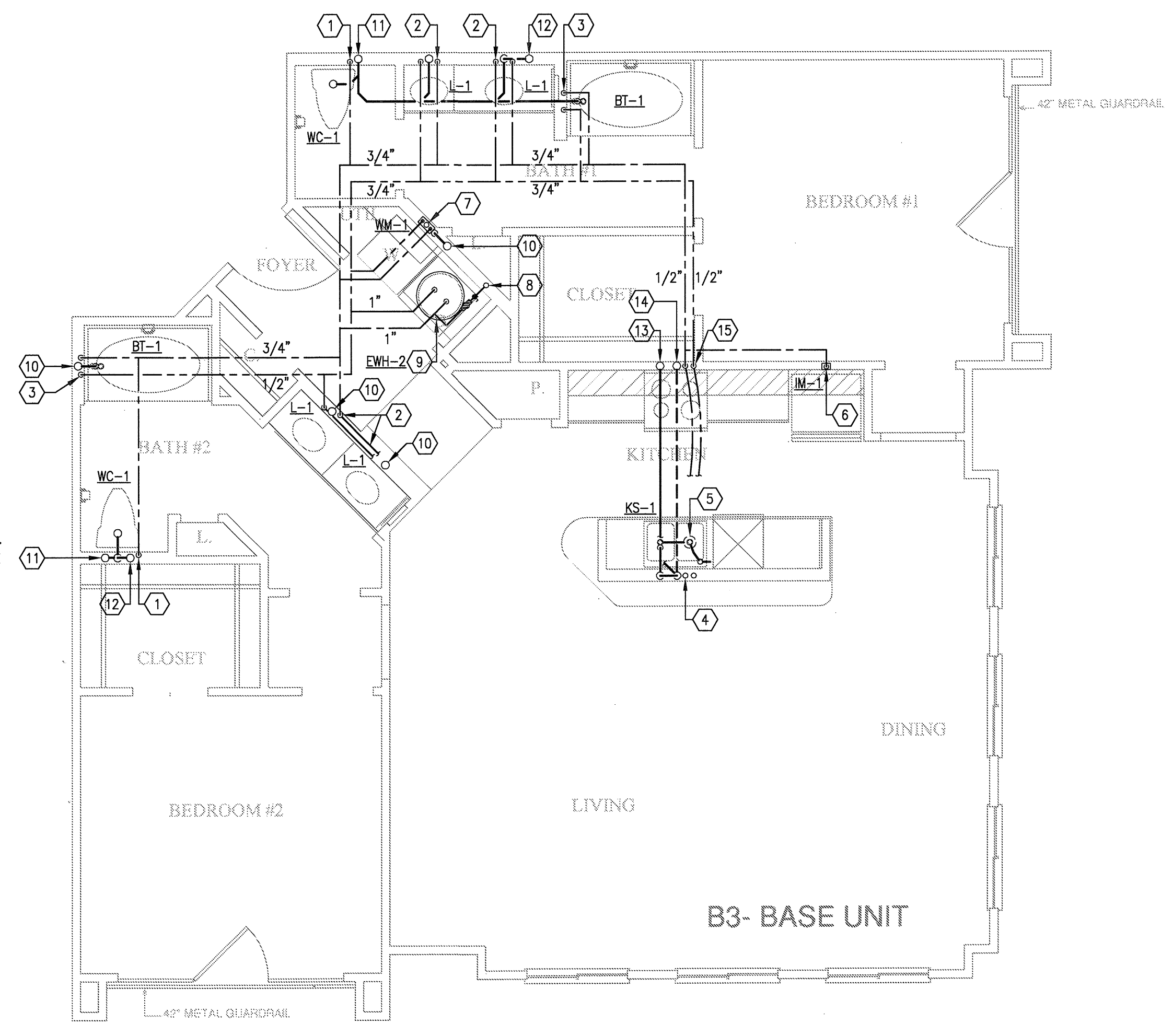


3 UNIT B3 - ALT B
SCALE: 1/4" = 1'-0" OCCURS AT: (3) TOTAL UNITS ON SITE



2 UNIT B3 - ALT A
SCALE: 1/4" = 1'-0" OCCURS AT: (3) TOTAL UNITS ON SITE

- KEY NOTES:**
- 1 1/2" CW DOWN IN WALL TO WATER CLOSET.
 - 2 1/2" H & CW DOWN IN WALL TO LAVATORY.
 - 3 1/2" H & CW DOWN IN WALL TO BATHTUB/SHOWER. 3/4" H & CW DOWN IN WALL IF SERVING BATHTUB AND SHOWER.
 - 4 1/2" H & CW TO SINK AND DISHWASHER. PROVIDE 1/2"x3/8" STOP ON CW. PROVIDE 1/2"x3/8"x3/8" STOP ON HW. 3/8" H & CW TO SINK FAUCET, 3/8" HW TO DISHWASHER.
 - 5 DISPOSAL BELOW SINK WITH DISHWASHER WASTE CONNECTION. CONNECT DRAIN THRU AIR GAP TO DISPOSAL. DISPOSAL BY G.C. AND INSTALLED BY PLUMBING CONTRACTOR.
 - 6 1/2" CW DOWN IN WALL TO ICE MAKER VALVE AND BOX.
 - 7 WASHING MACHINE CONNECTION BOX 2" WASTE, 1/2" H & CW.
 - 8 DOMESTIC WATER RISER. PROVIDE ISOLATION VALVE, REMOTE READ SUB-METER, AND PRV IF REQUIRED. REFER TO RISER DIAGRAM FOR SIZES.
 - 9 ELECTRIC WATER HEATER. REFER TO DETAILS AND SCHEDULE.
 - 10 3" SANITARY WASTE/VENT RISER PER IPC SEC 910.
 - 11 3" SANITARY WASTE RISER.
 - 12 3" SANITARY VENT RISER.
 - 13 2" SANITARY WASTE RISER.
 - 14 2" SANITARY VENT RISER.
 - 15 1/2" H & CW DOWN IN WALL TO BELOW FLOOR TO SERVE ISLAND SINK.



1 UNIT B3 - TWO BEDROOM/TWO BATH
SCALE: 1/4" = 1'-0" OCCURS AT: (3) TOTAL UNITS ON SITE

KELLER SPRINGS LOFTS
LOFT APARTMENTS IN ADDISON, TEXAS

BGO
architects
4144 N. Central Expy.
Suite 855
Dallas, TX 75204
214.520.8878
bgoarchitects.com

DATE
08-05-11

PROJECT
11129

SHEET NUMBER

P-2.9