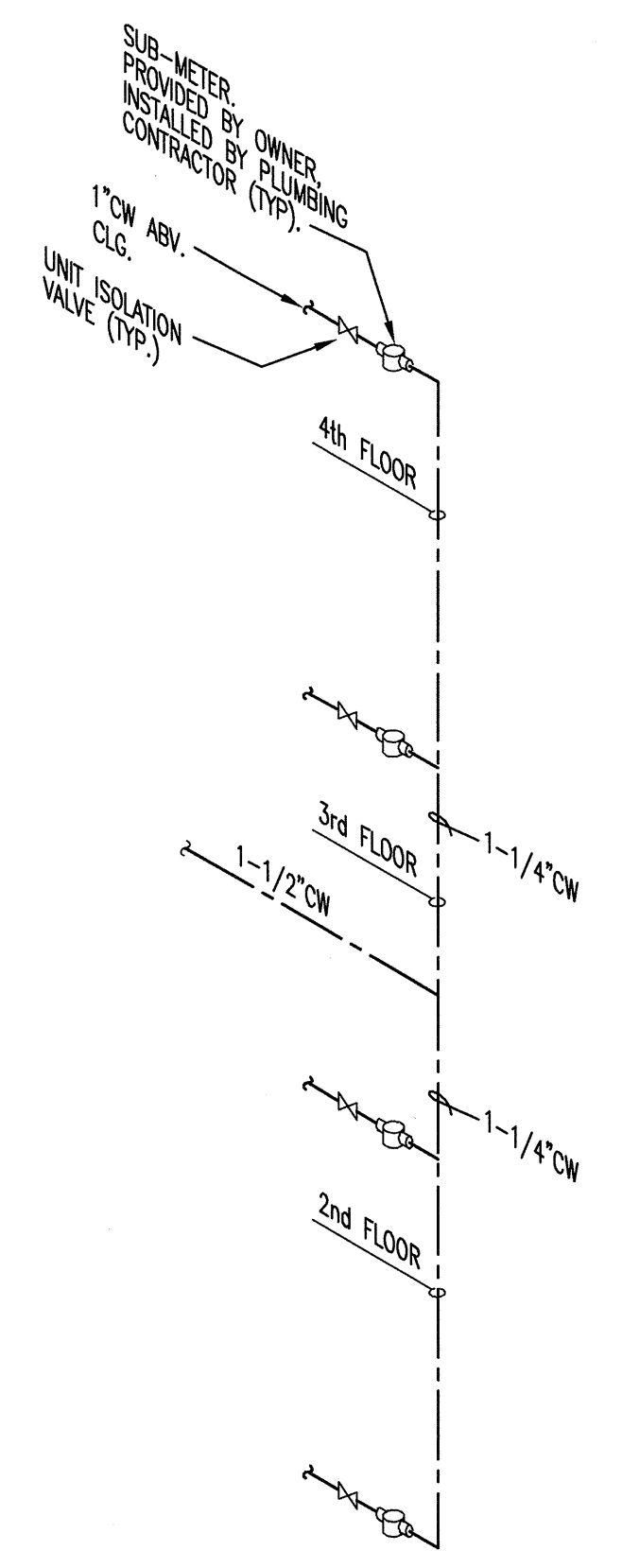
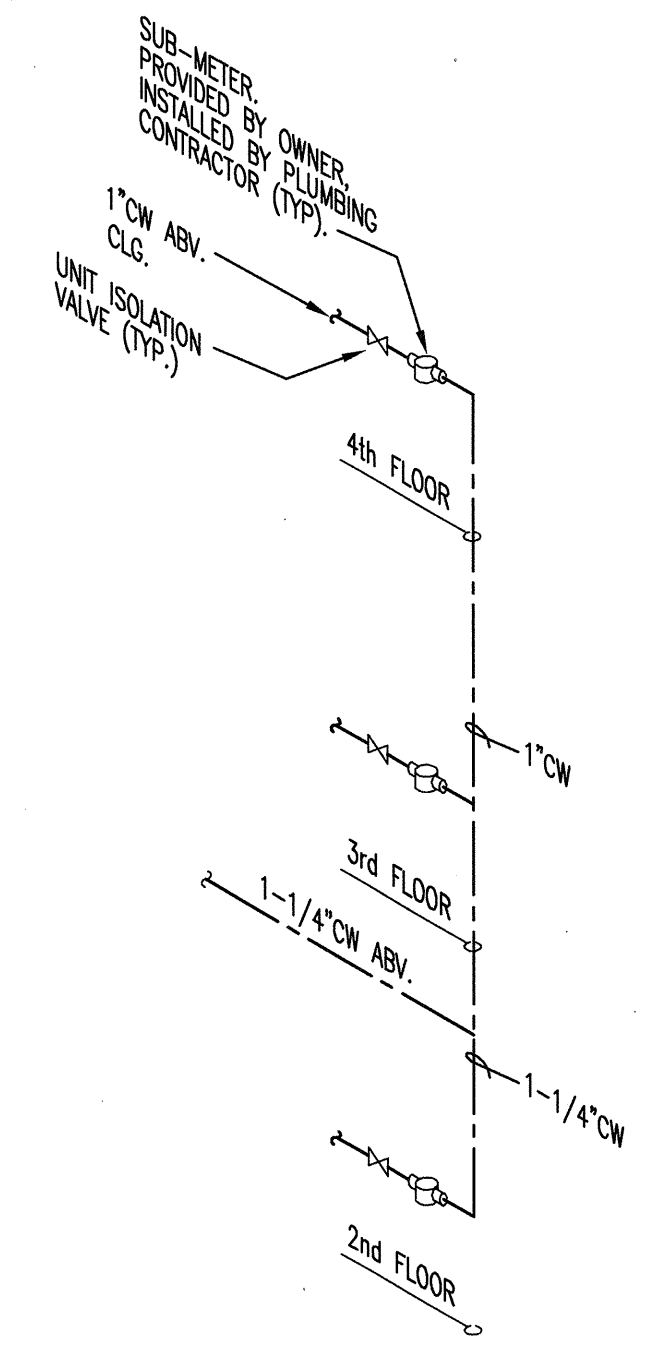


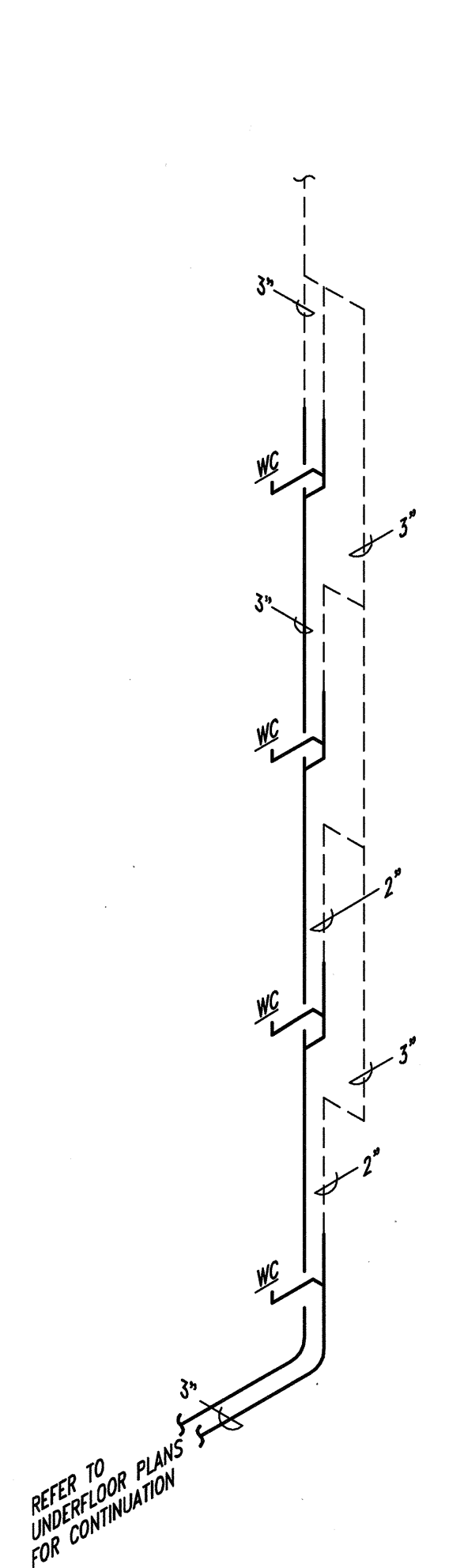
TYP. 1 BATHROOM/4 LEVEL WATER RISER
NOT TO SCALE



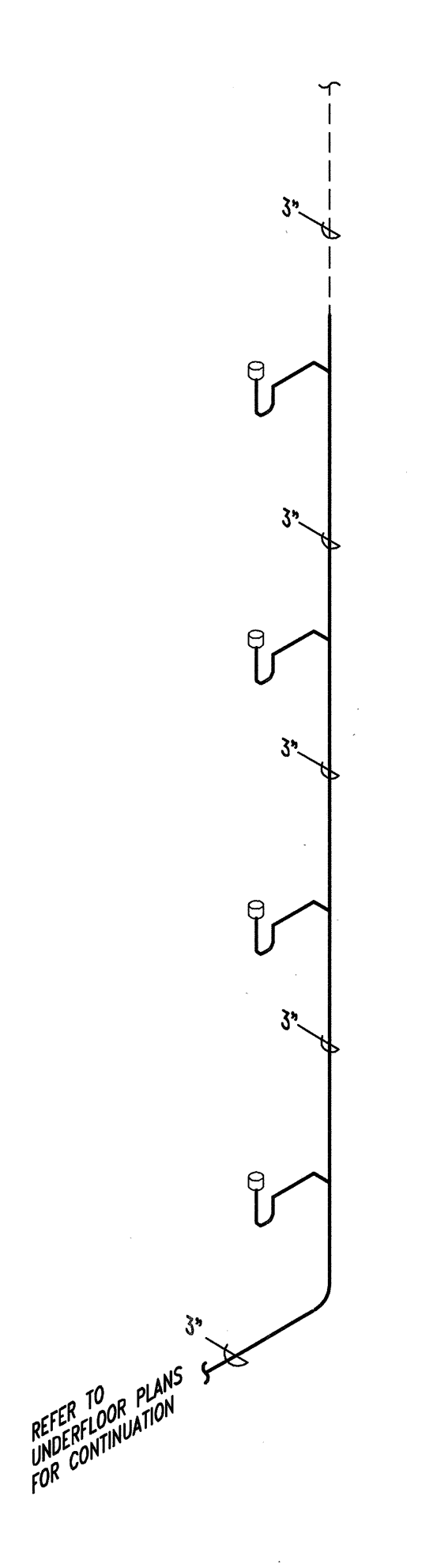
TYP. 2 BATHROOM/4 LEVEL WATER RISER
NOT TO SCALE



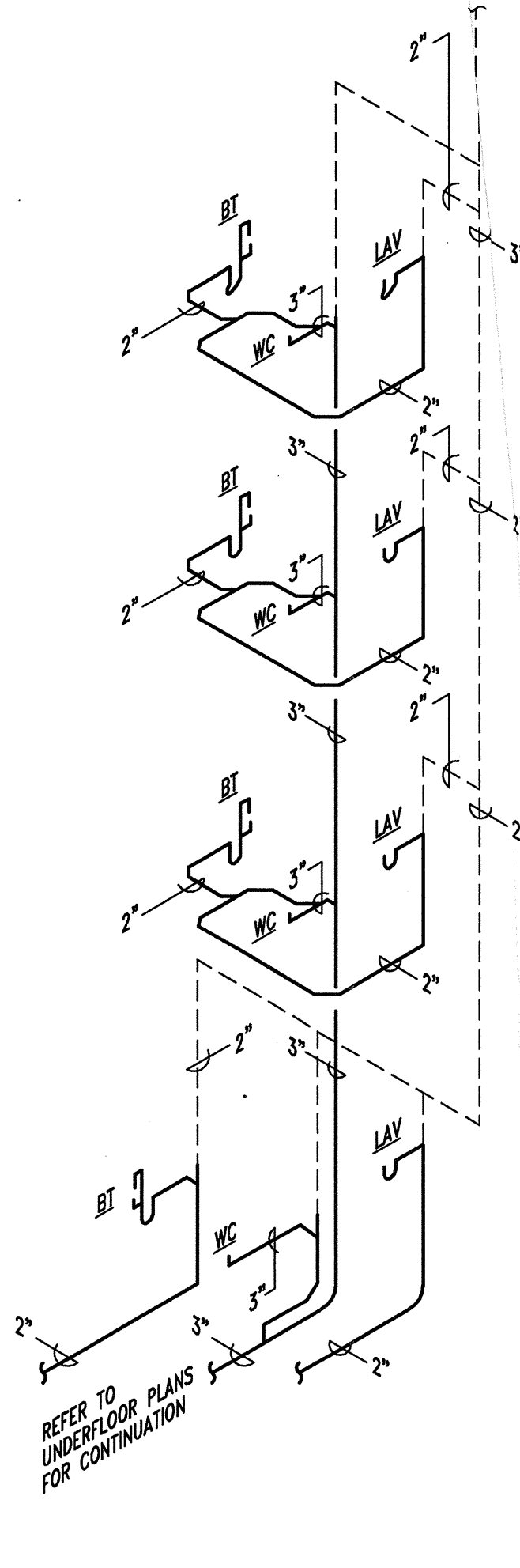
TYP. 1&2 BATHROOM/3 LEVEL WATER RISER
NOT TO SCALE



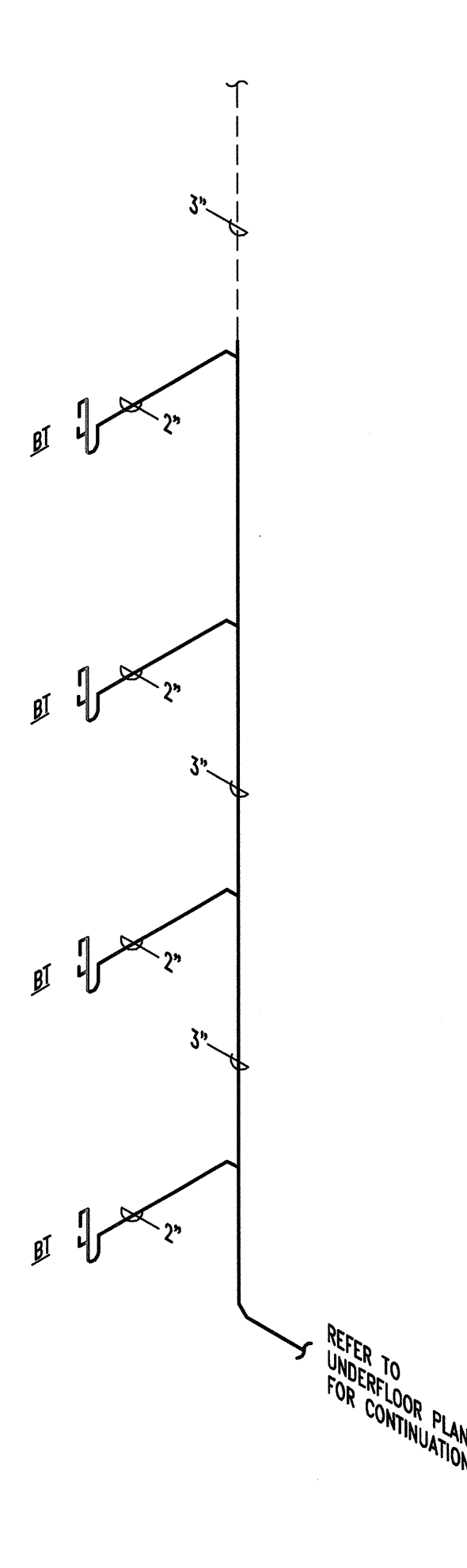
TYPICAL WC/LAV/LAV/WT VERTICAL WASTE & VENT STACK
4 D.F.U. TOTAL



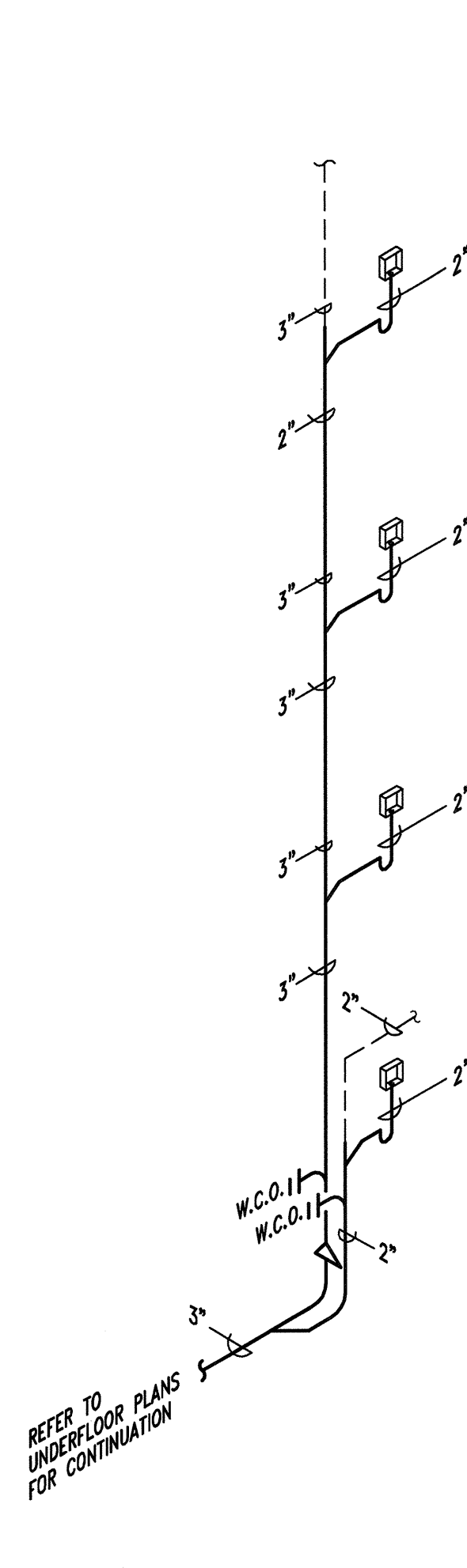
TYPICAL LAVATORY 4 LEVELS WASTE VENT STACK
4 DRAINAGE FIXTURE UNIT TOTAL



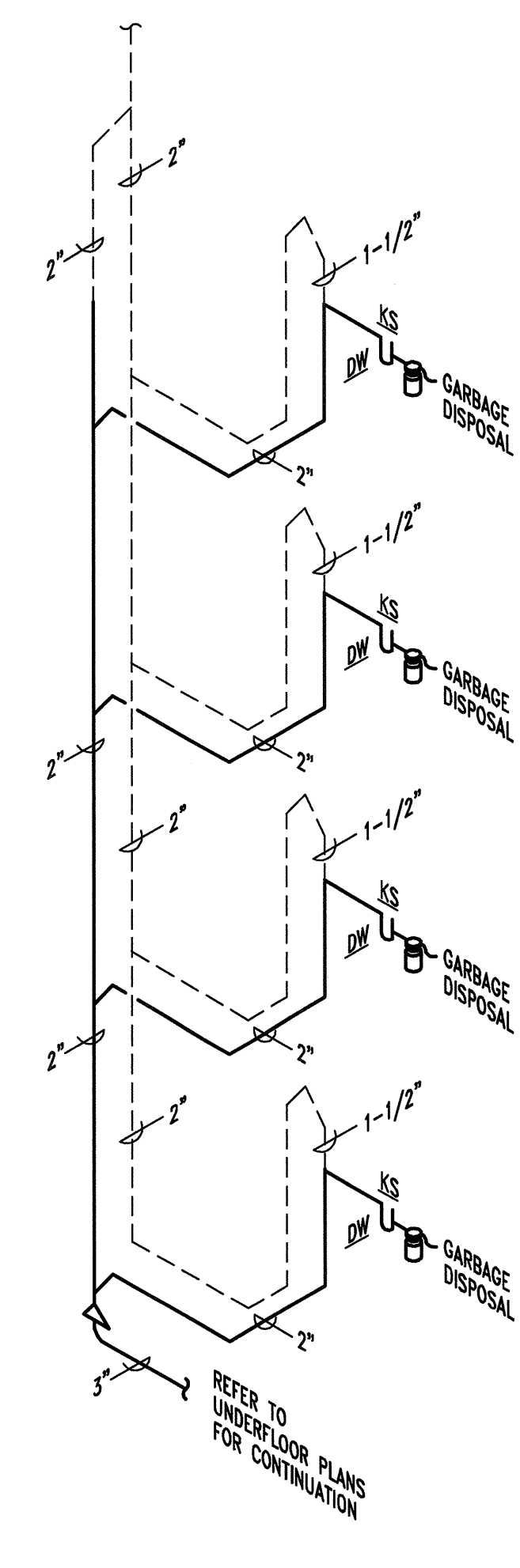
TYPICAL BATHROOM GROUP W/SHWR 4 LEVELS WET VENT STACK
20 DRAINAGE FIXTURE UNIT TOTAL



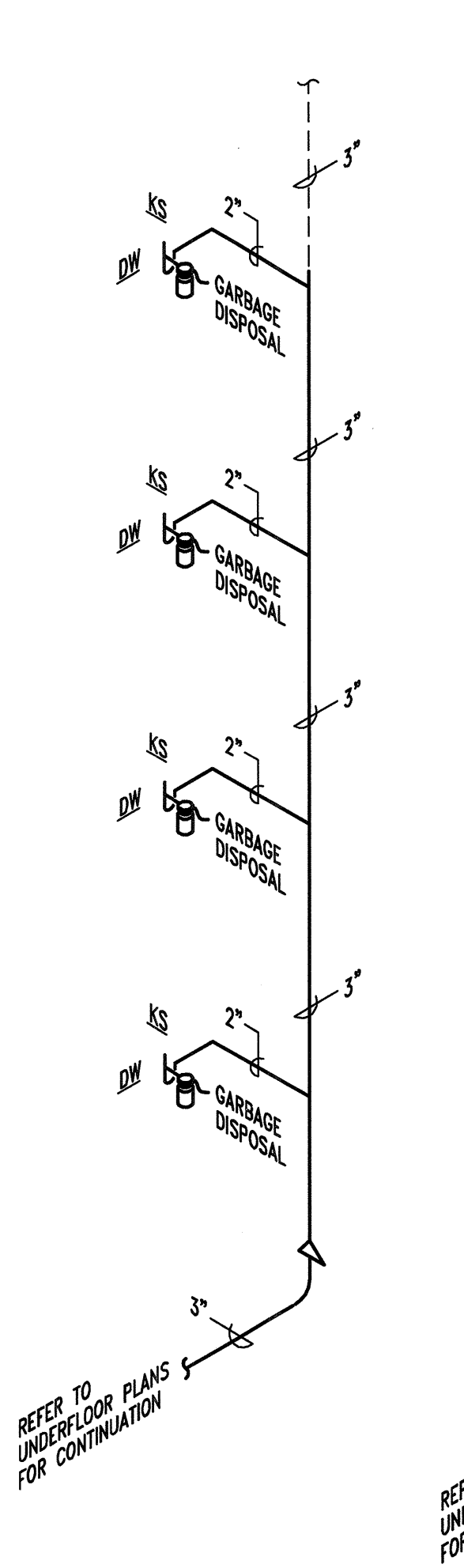
TYPICAL BATHTUB STACK 8 D.F.U. TOTAL



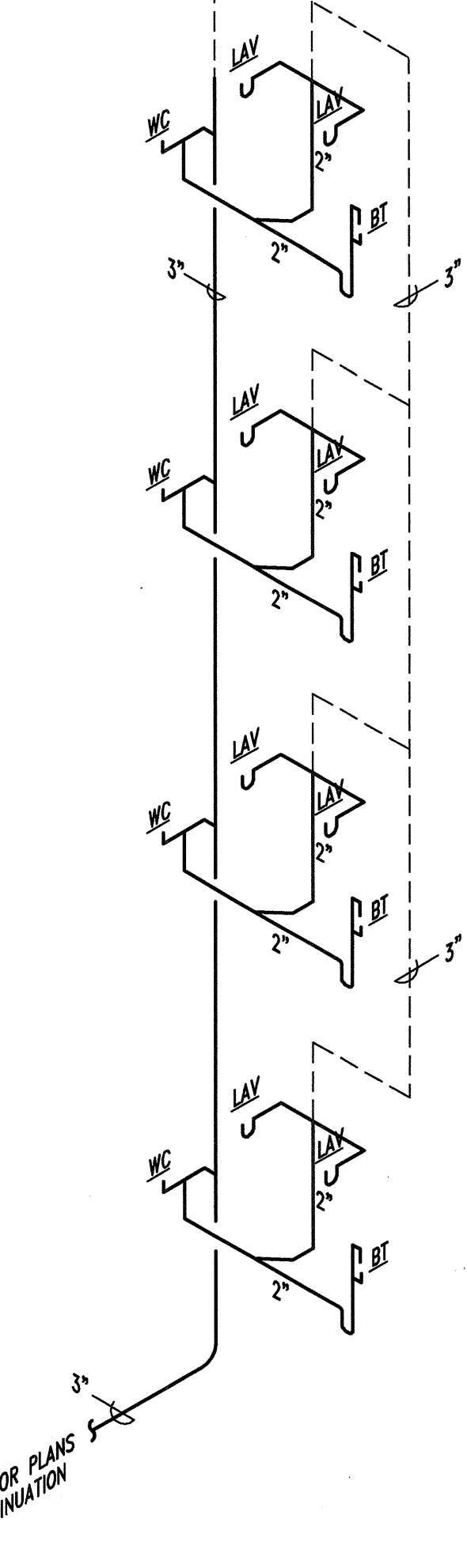
TYPICAL WASHING MACHINE BOX STACK 8 DRAINAGE FIXTURE UNIT TOTAL



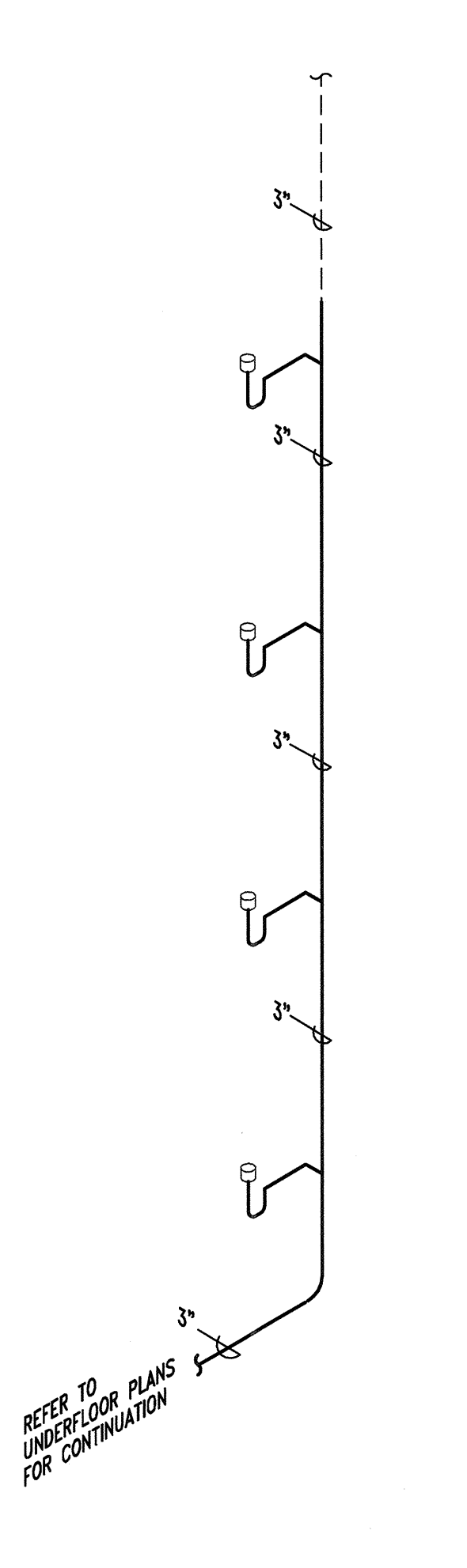
TYPICAL ISLAND KITCH. SK. STACK 8 D.F.U. TOTAL



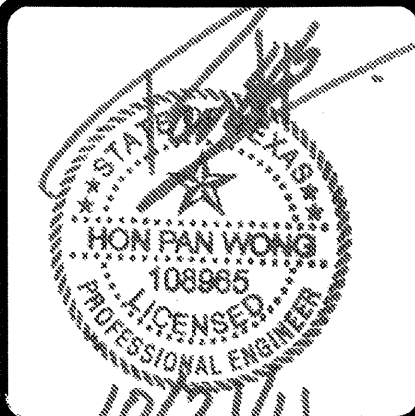
TYPICAL KITCHEN SINK VERTICAL WET VENT STACK 8 DRAINAGE FIXTURE UNIT TOTAL



TYPICAL WC/LAV/LAV/WT VERTICAL WASTE & VENT STACK 4 D.F.U. TOTAL



TYPICAL HUB-DRAIN VERTICAL WASTE VENT STACK 4 D.F.U. TOTAL



REVISIONS	
1	9-2-2011 DESIGN REVISIONS
2	9-13-2011 ANSI/FHA COMMENTS
3	9-23-2011 DESIGN REVISIONS
4	10-17-2011 CONSTRUCTION ISSUE

KELLER SPRINGS LOFTS
LOFT APARTMENTS IN ADDISON, TEXAS

BGO architects
4144 N. Central Expy.
Suite 855
Dallas, TX 75204
214.520.8878
bgoarchitects.com

DATE
08-05-11

PROJECT
11129

SHEET NUMBER

P-4.1

JSE Jordan & Skala Engineers
14240 Midway Road, Suite 350
Dallas, TX 75244-5138
Tel: (469) 385-1616 Fax: (469) 385-1615
Project Number - 113-0355 Texas Firm Registration # F-4990
Drawn By: CV Checked By: RC