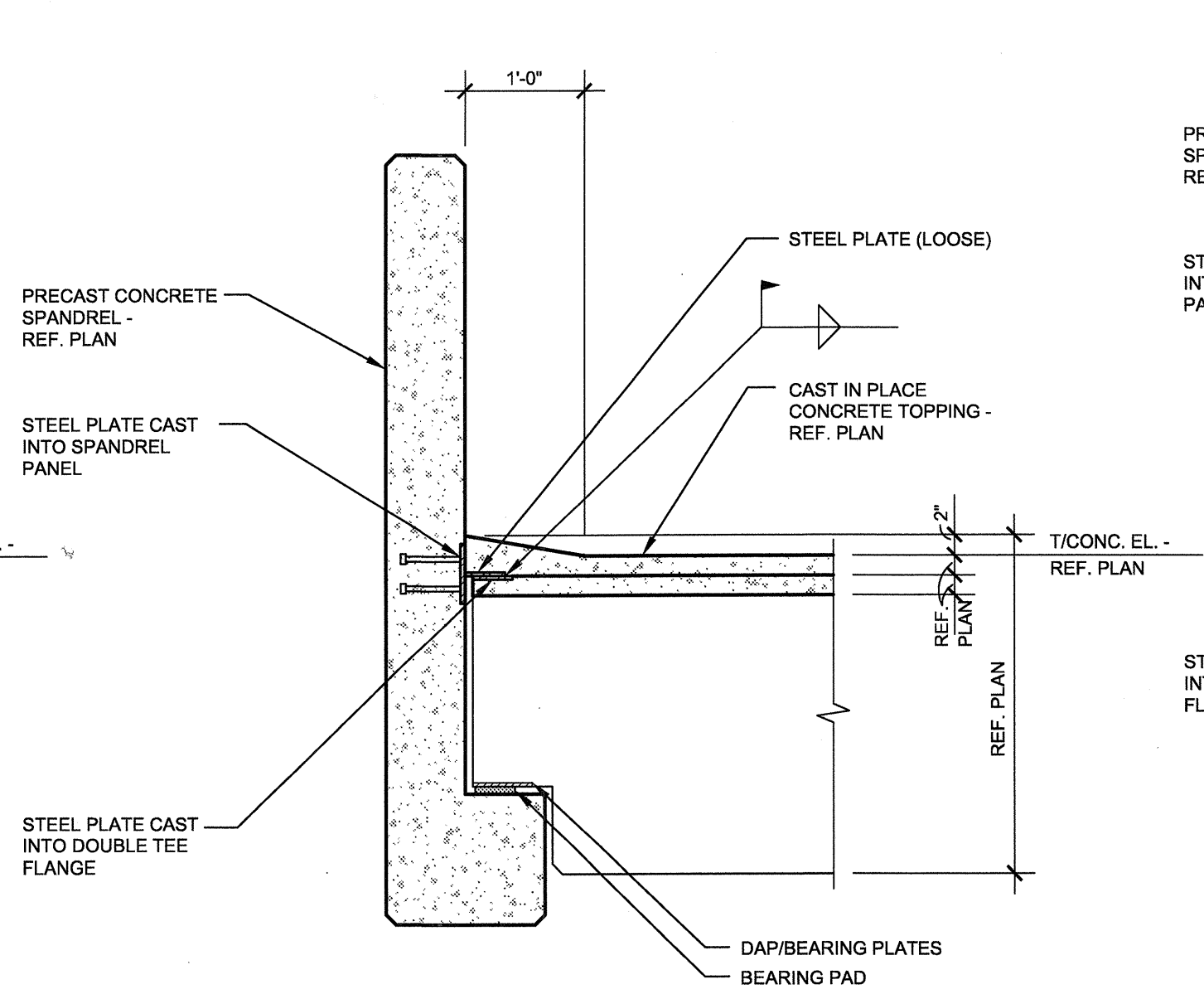
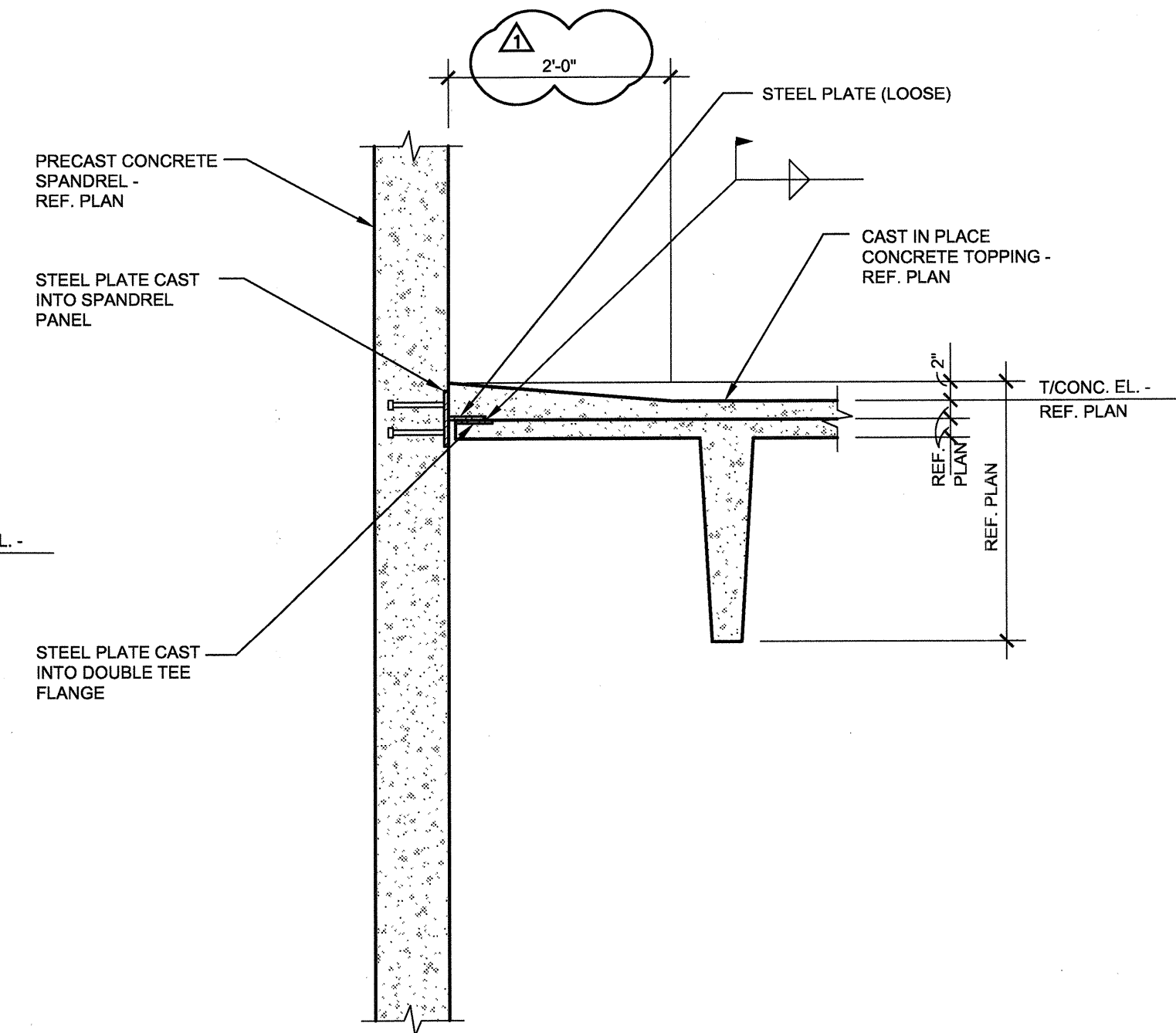


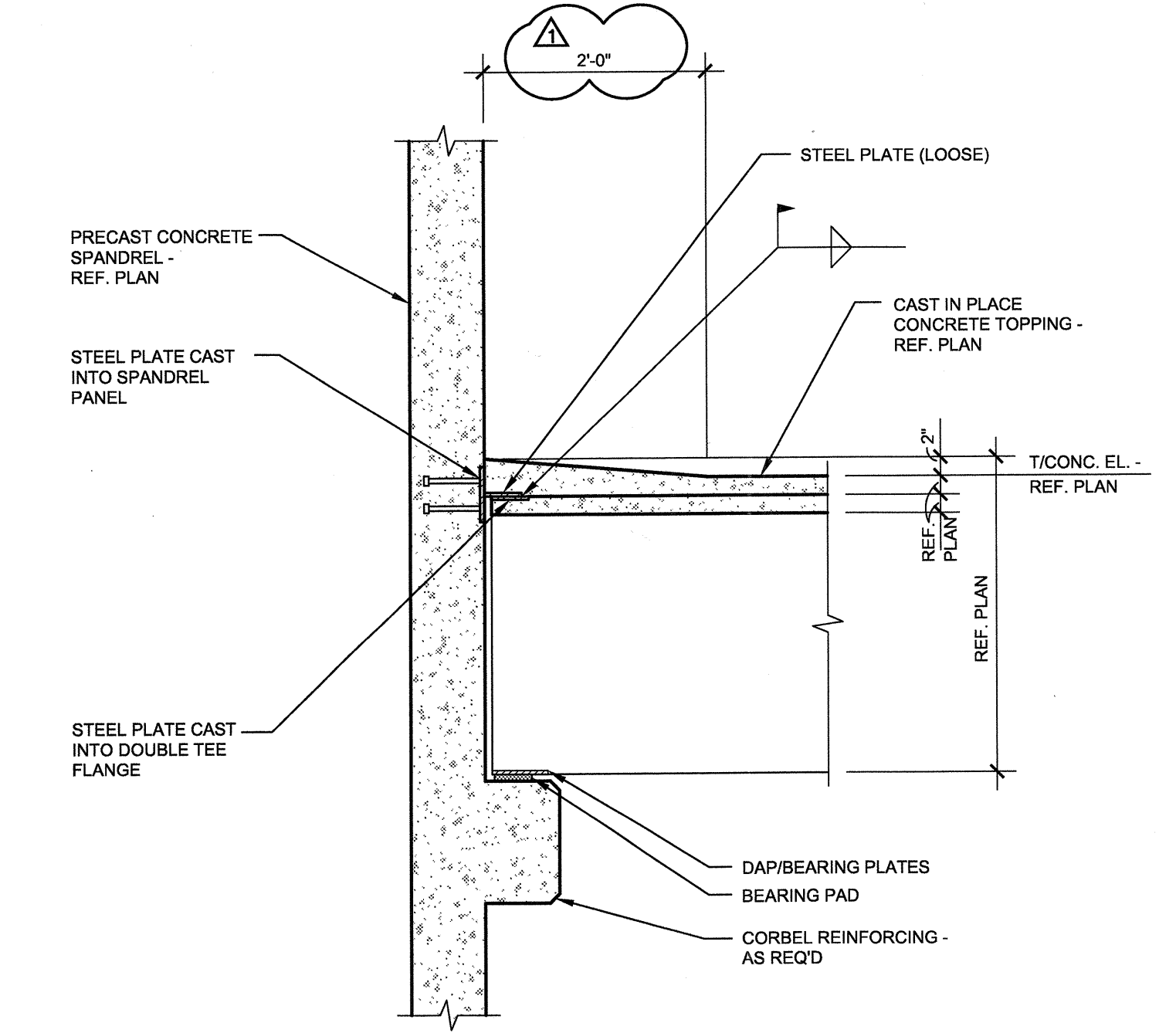
1
SG4.02
TYPICAL PRECAST DOUBLE TEE TO SPANDREL DETAIL
SCALE: 3/4"=1'-0"



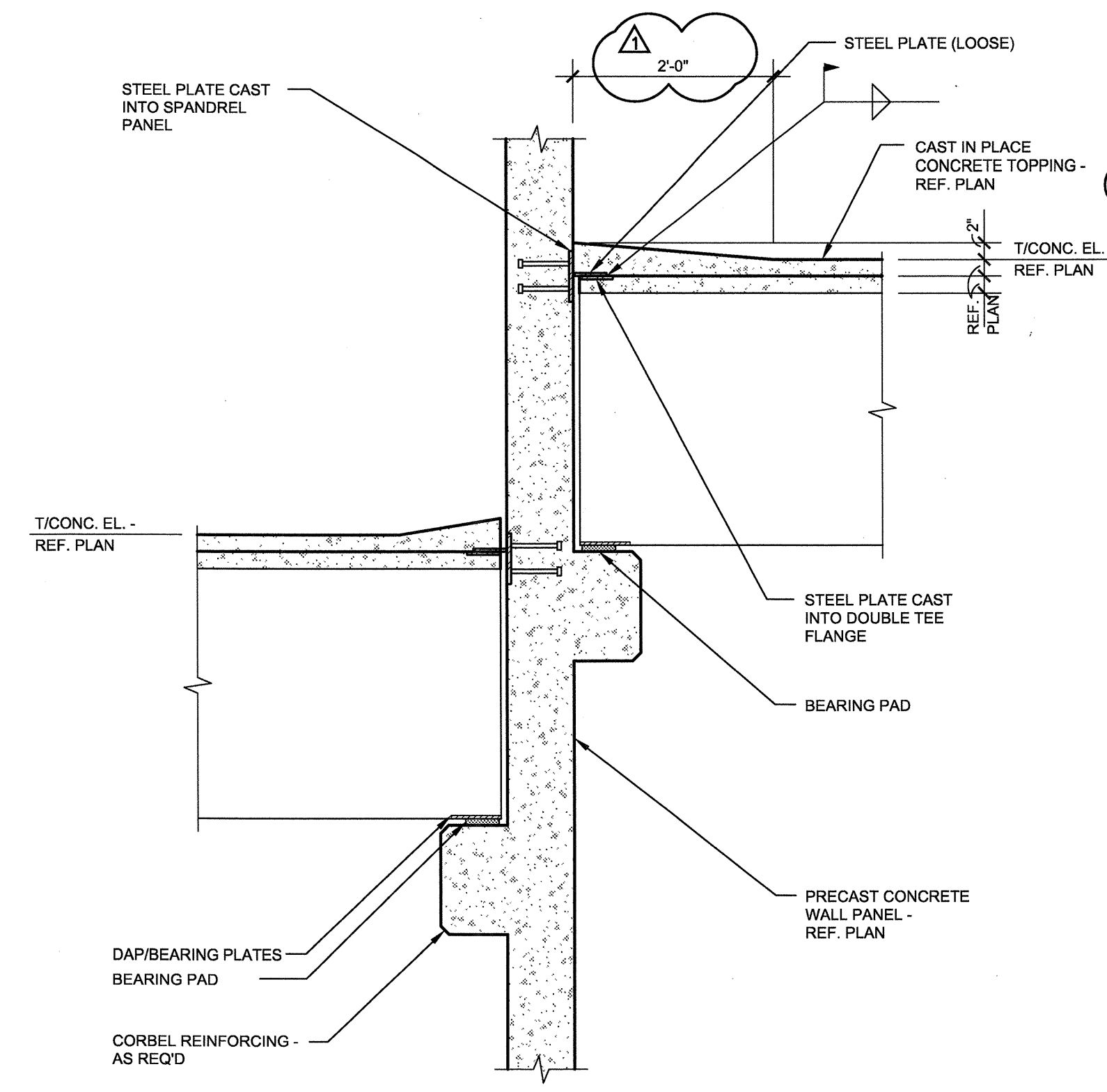
2
SG4.02
TYPICAL PRECAST DOUBLE TEE TO SPANDREL DETAIL
SCALE: 3/4"=1'-0"



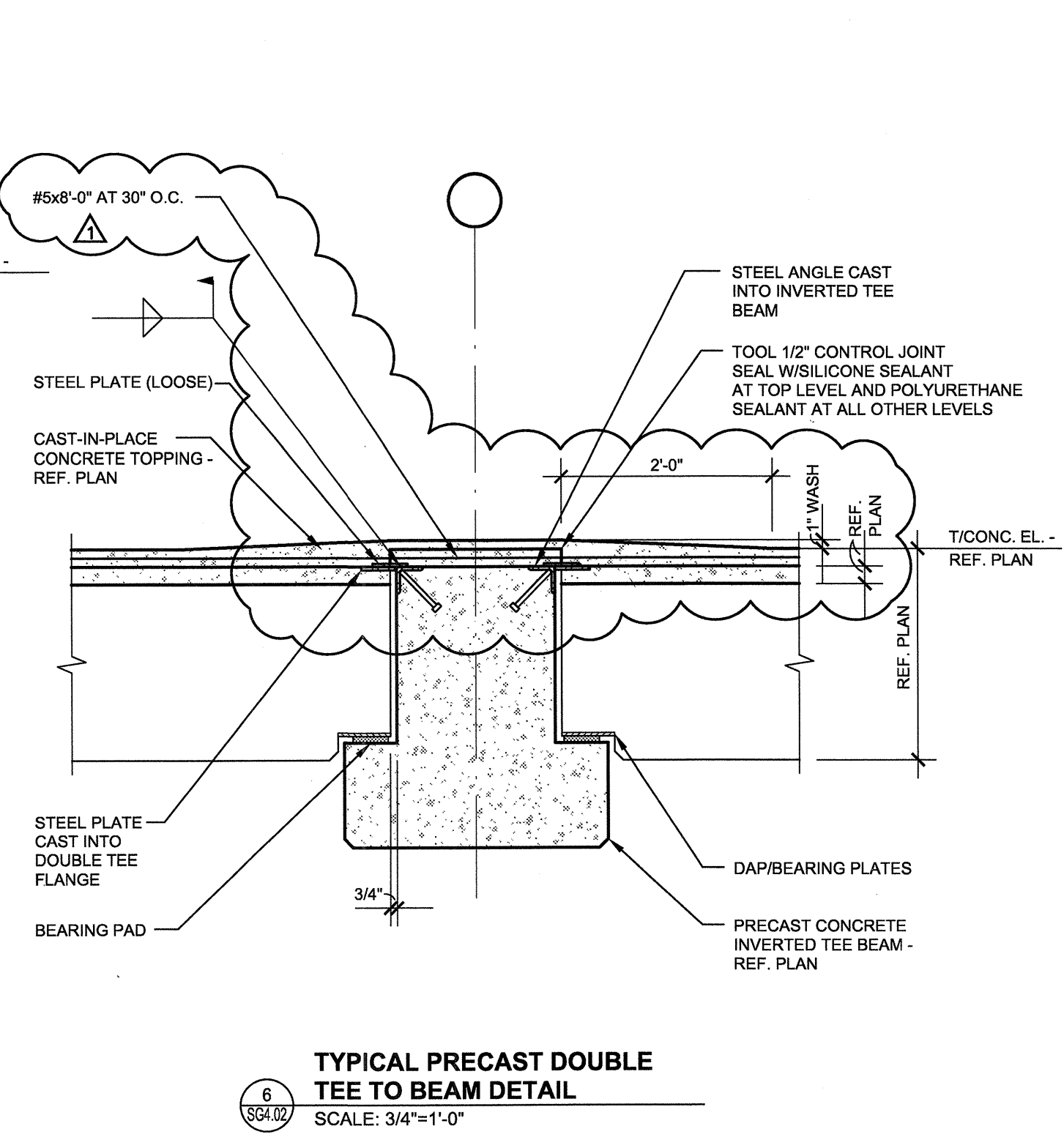
3
SG4.02
TYPICAL PRECAST DOUBLE TEE TO WALL DETAIL
SCALE: 3/4"=1'-0"



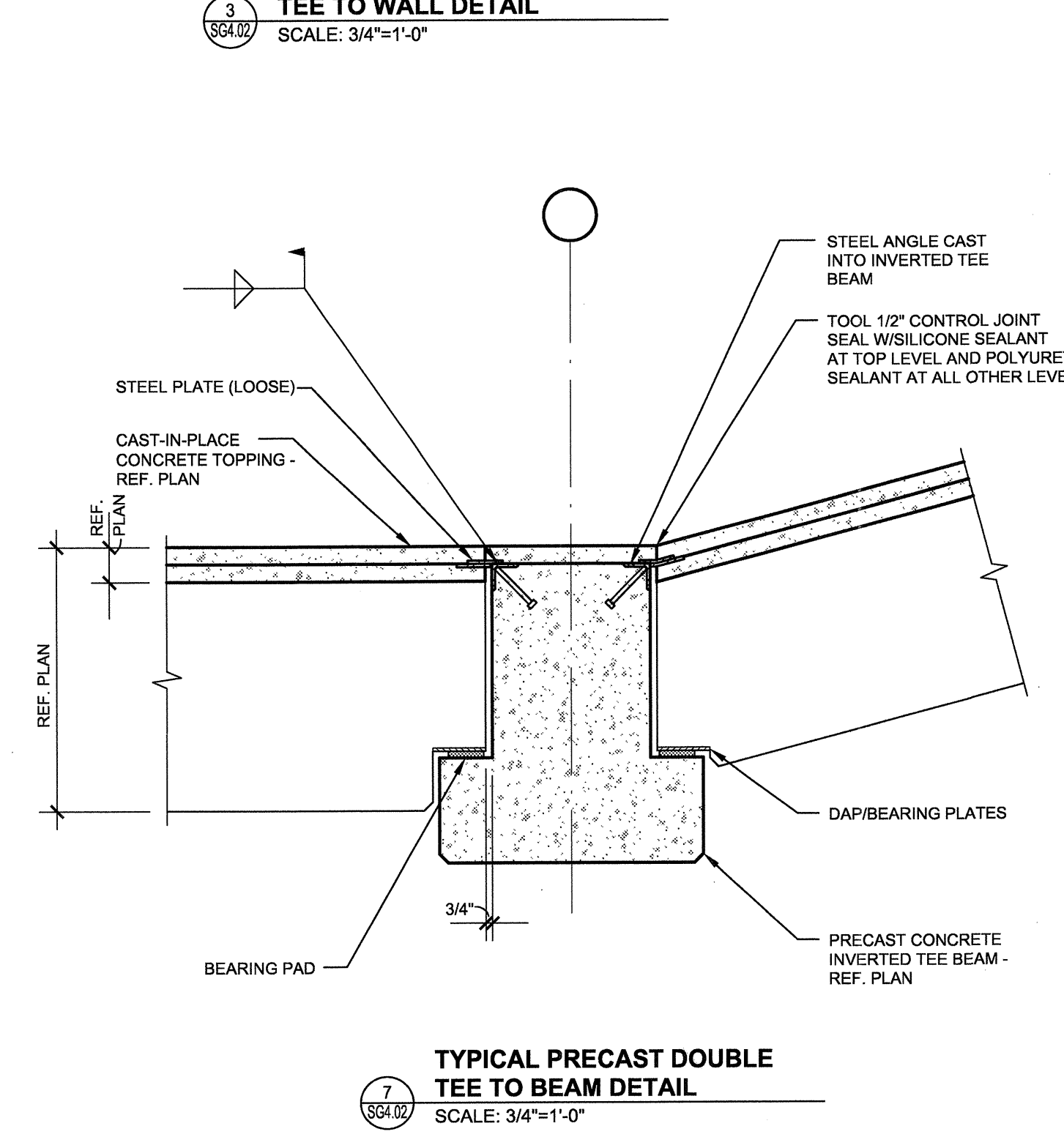
4
SG4.02
TYPICAL PRECAST DOUBLE TEE TO WALL DETAIL
SCALE: 3/4"=1'-0"



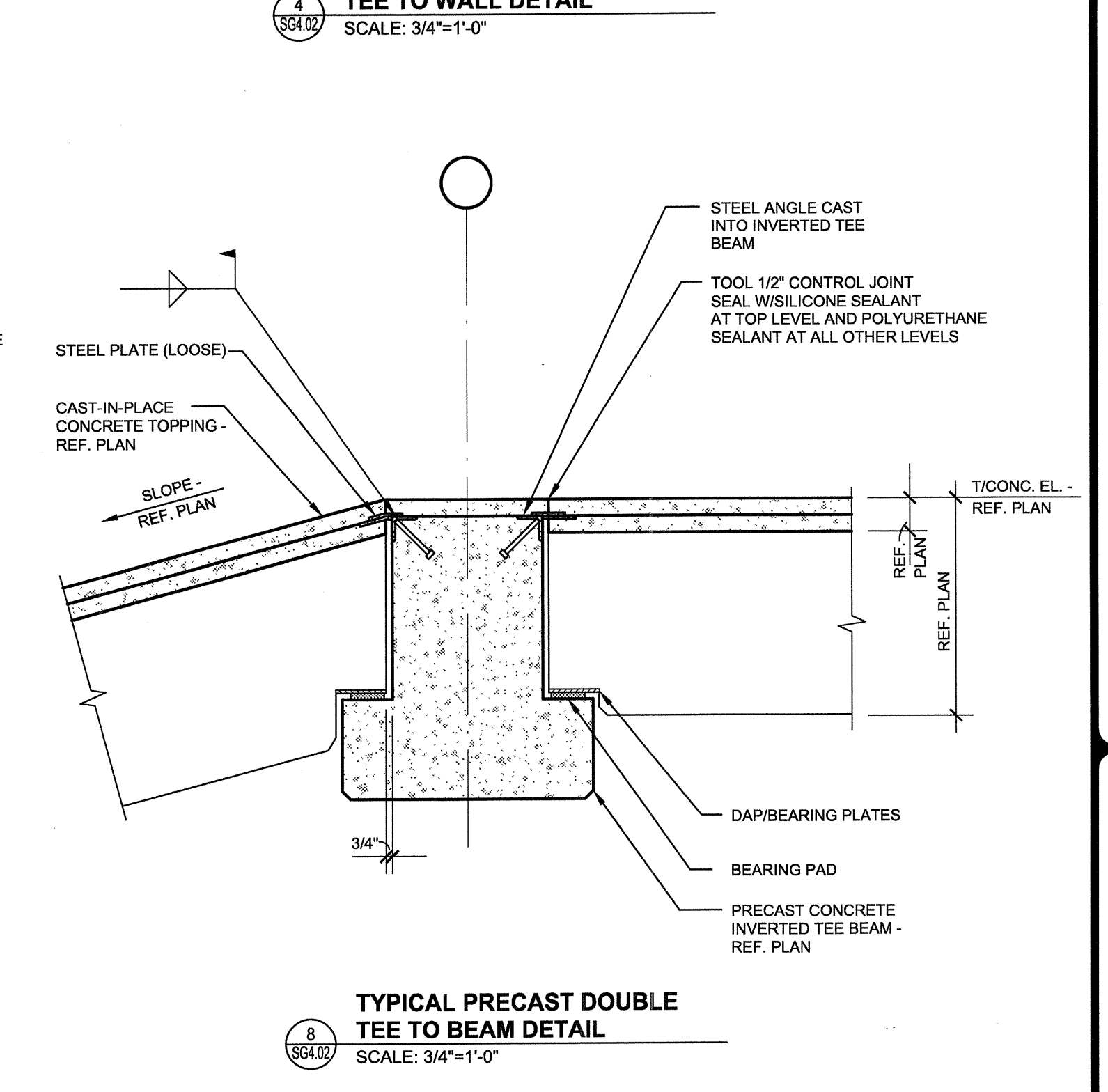
5
SG4.02
TYPICAL PRECAST DOUBLE TEE TO COLUMN DETAIL
SCALE: 3/4"=1'-0"



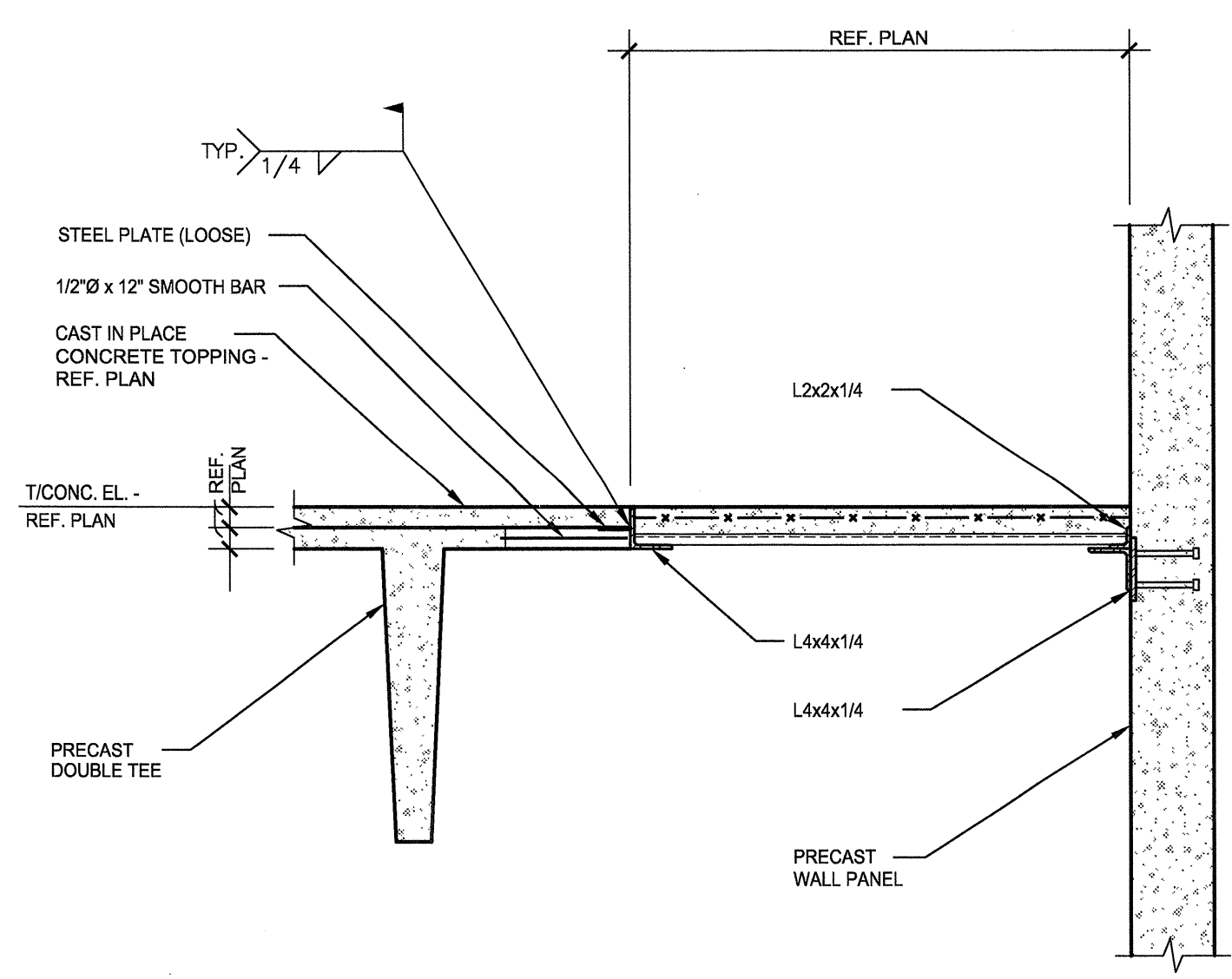
6
SG4.02
TYPICAL PRECAST DOUBLE TEE TO BEAM DETAIL
SCALE: 3/4"=1'-0"



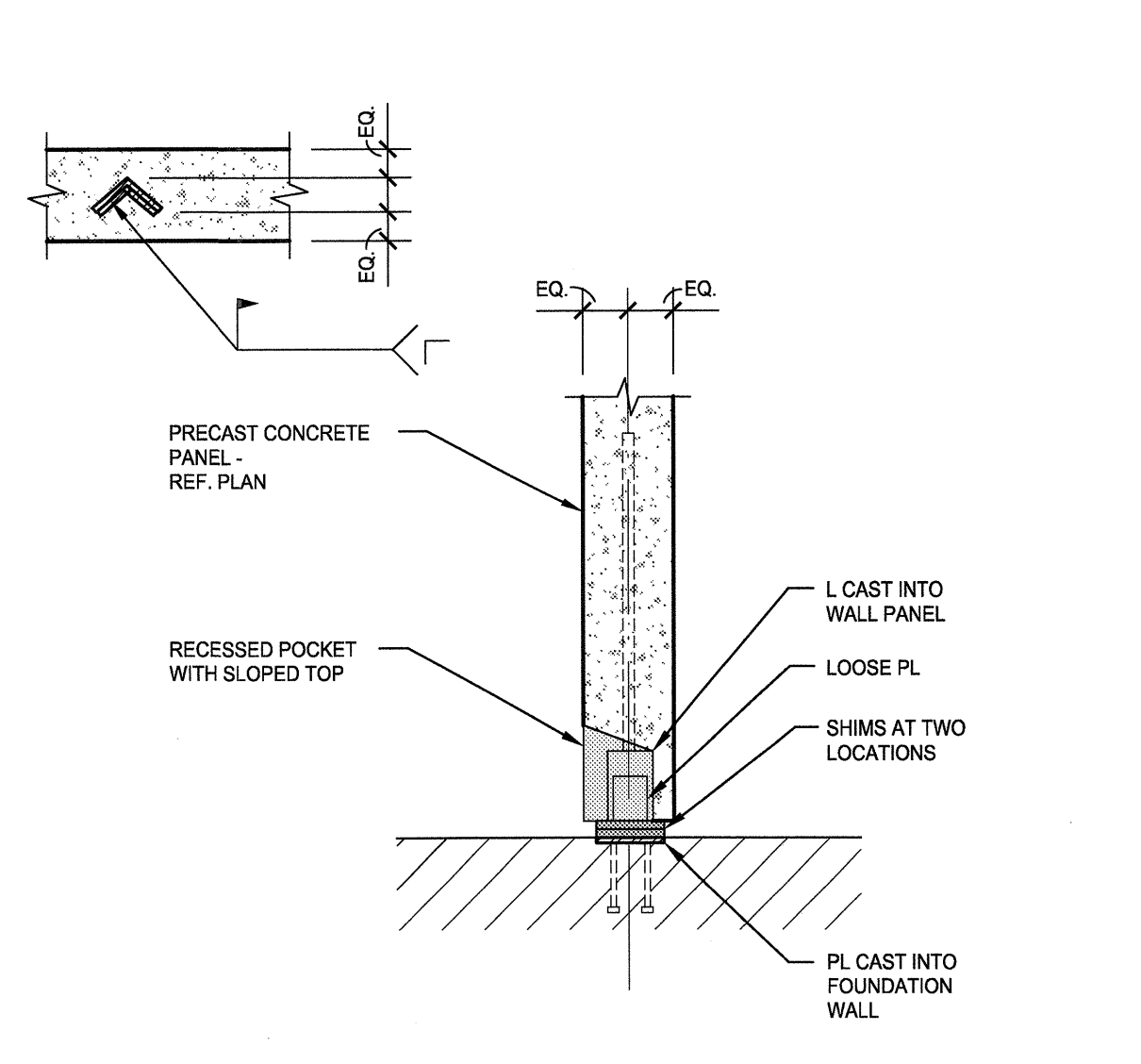
7
SG4.02
TYPICAL PRECAST DOUBLE TEE TO BEAM DETAIL
SCALE: 3/4"=1'-0"



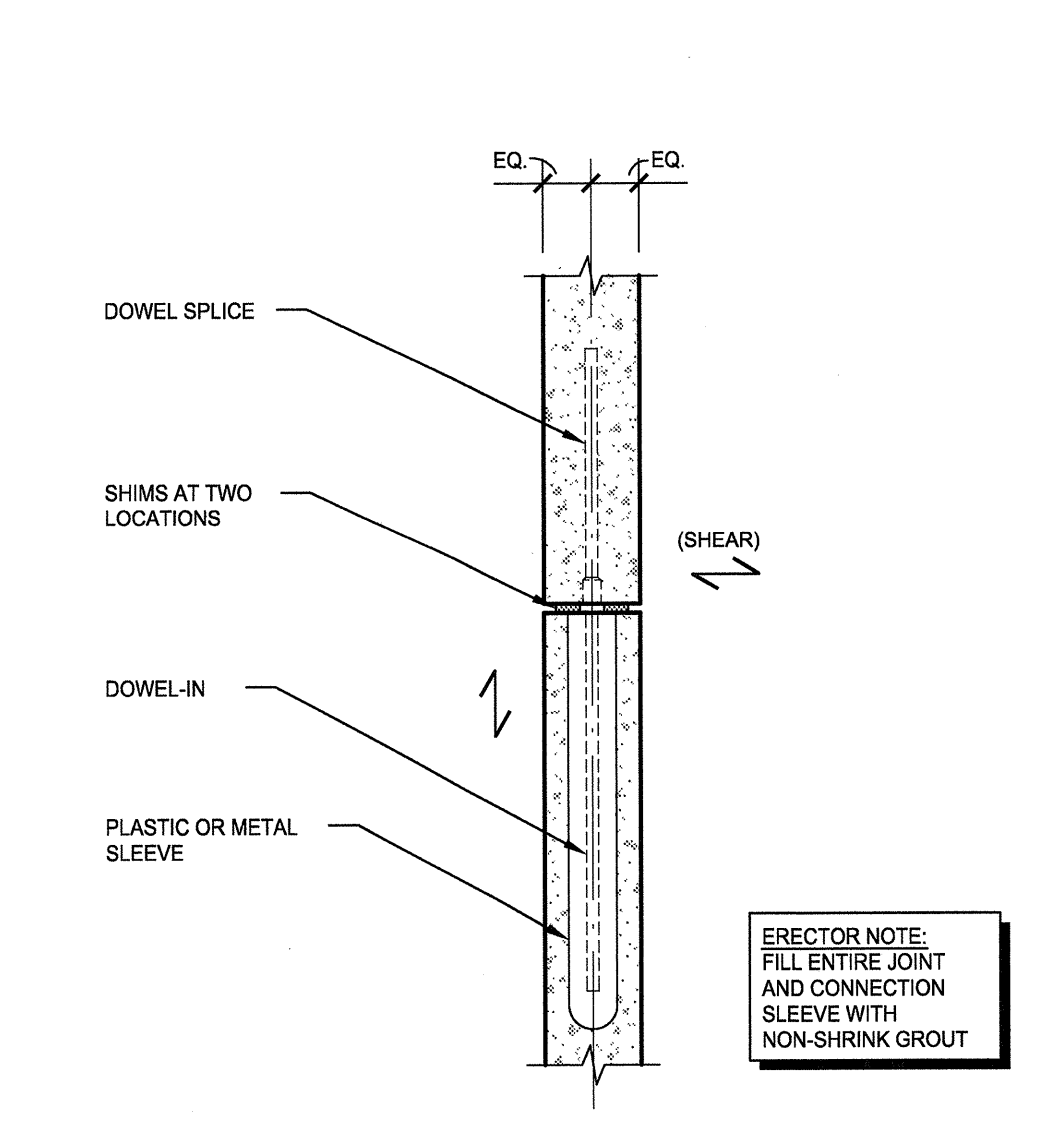
8
SG4.02
TYPICAL PRECAST DOUBLE TEE TO BEAM DETAIL
SCALE: 3/4"=1'-0"



9
SG4.02
DETAIL
SCALE: 3/4"=1'-0"

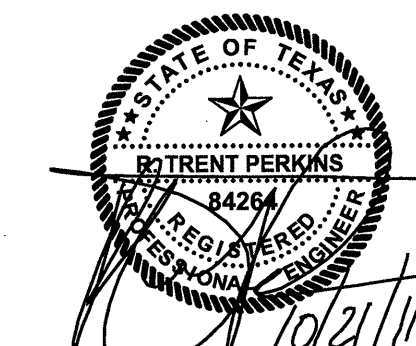


10
SG4.02
WALL PANEL TO FOUNDATION CONNECTION
SCALE: 3/4"=1'-0"



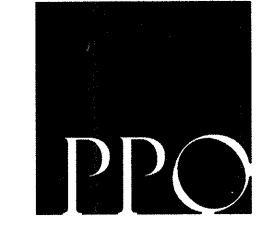
11
SG4.02
CONNECTION BETWEEN WALL PANELS
SCALE: 3/4"=1'-0"

ERECTOR NOTE:
FILL ENTIRE JOINT AND CONNECTION SLEEVE WITH NON-SHRINK GROUT.



THE SEAL APPEARING ON THIS DOCUMENT WAS AUTHORIZED BY R. TRENT PERKINS, P.E. 84264

THIS DOCUMENT IS THE RENDERING OF A PROFESSIONAL SERVICE, THE ESSENCE OF WHICH IS THE PROVIDING OF ADVICE, JUDGMENT, OPINION, OR SIMILAR PROFESSIONAL SKILL.



PARKIN - PERKINS - OLSEN
CONSULTING ENGINEERING, INC.
9330 LBJ Freeway Suite 1055
Dallas, Texas 75243
Tel 214.221.2220 Fax 214.221.2252
Project No. 39155
Registration No. F-1479

REVISIONS

△ PRECAST SUBMITTAL	10/17/11
△ COORDINATION	

KELLER SPRINGS LOFTS
 LOFT APARTMENTS IN ADDISON, TEXAS

CONSTRUCTION ISSUE
 10-17-2011

BGO architects
 4144 N. Central Expy., Suite 855
 Dallas, TX 75204
 214.520.8878
 bgoarchitects.com

DATE
08-05-2011

PROJECT
11129

SHEET NUMBER

SG4.02