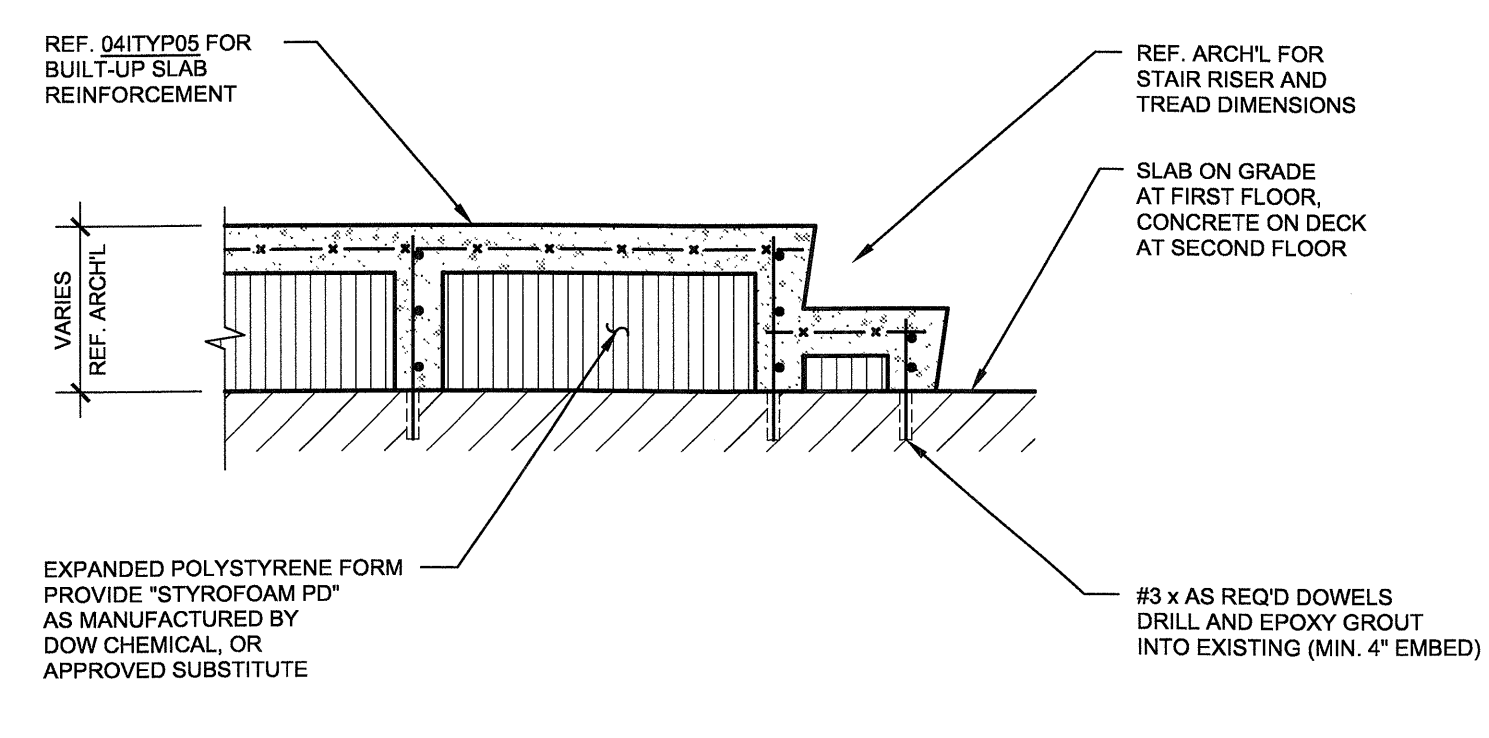
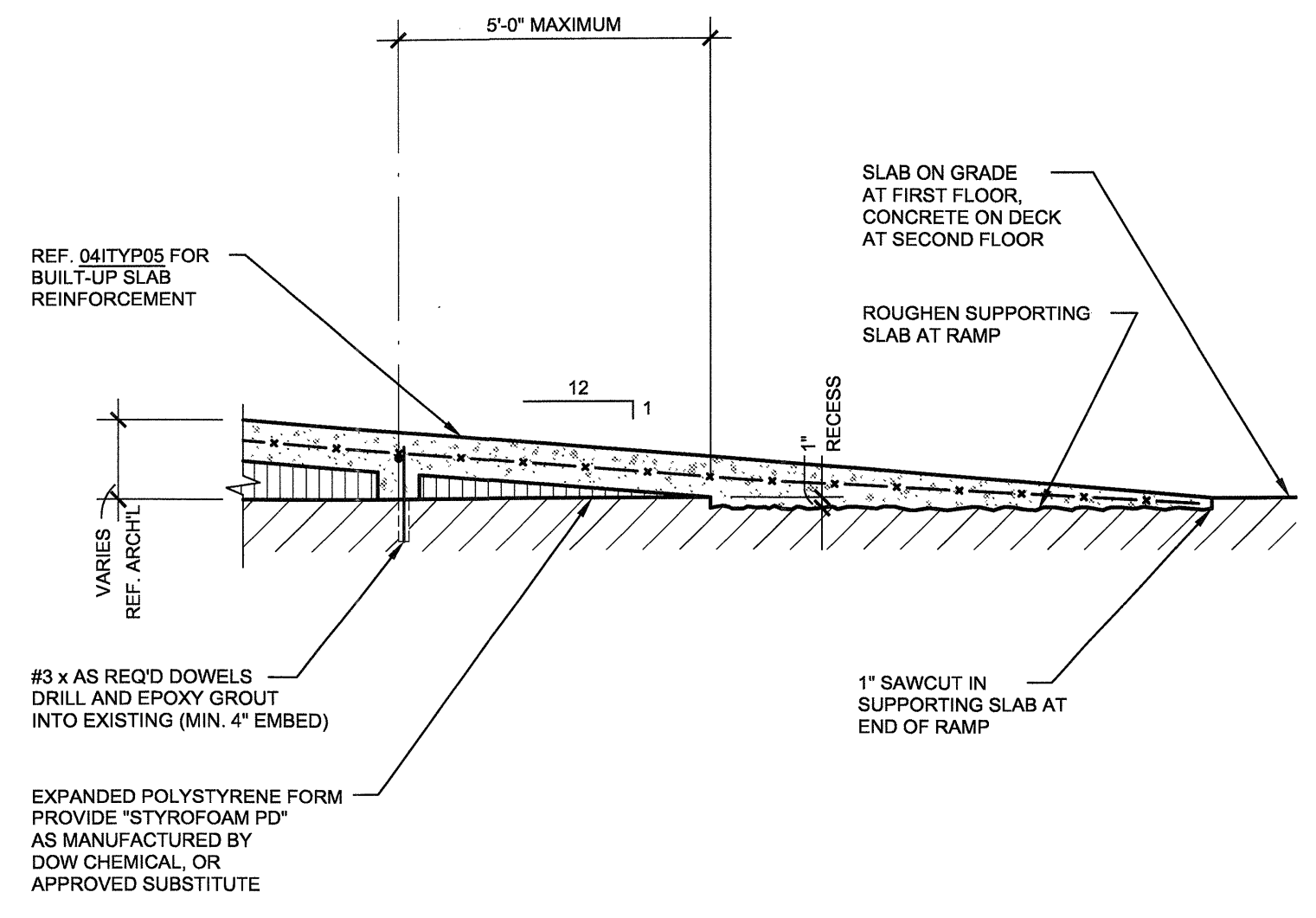


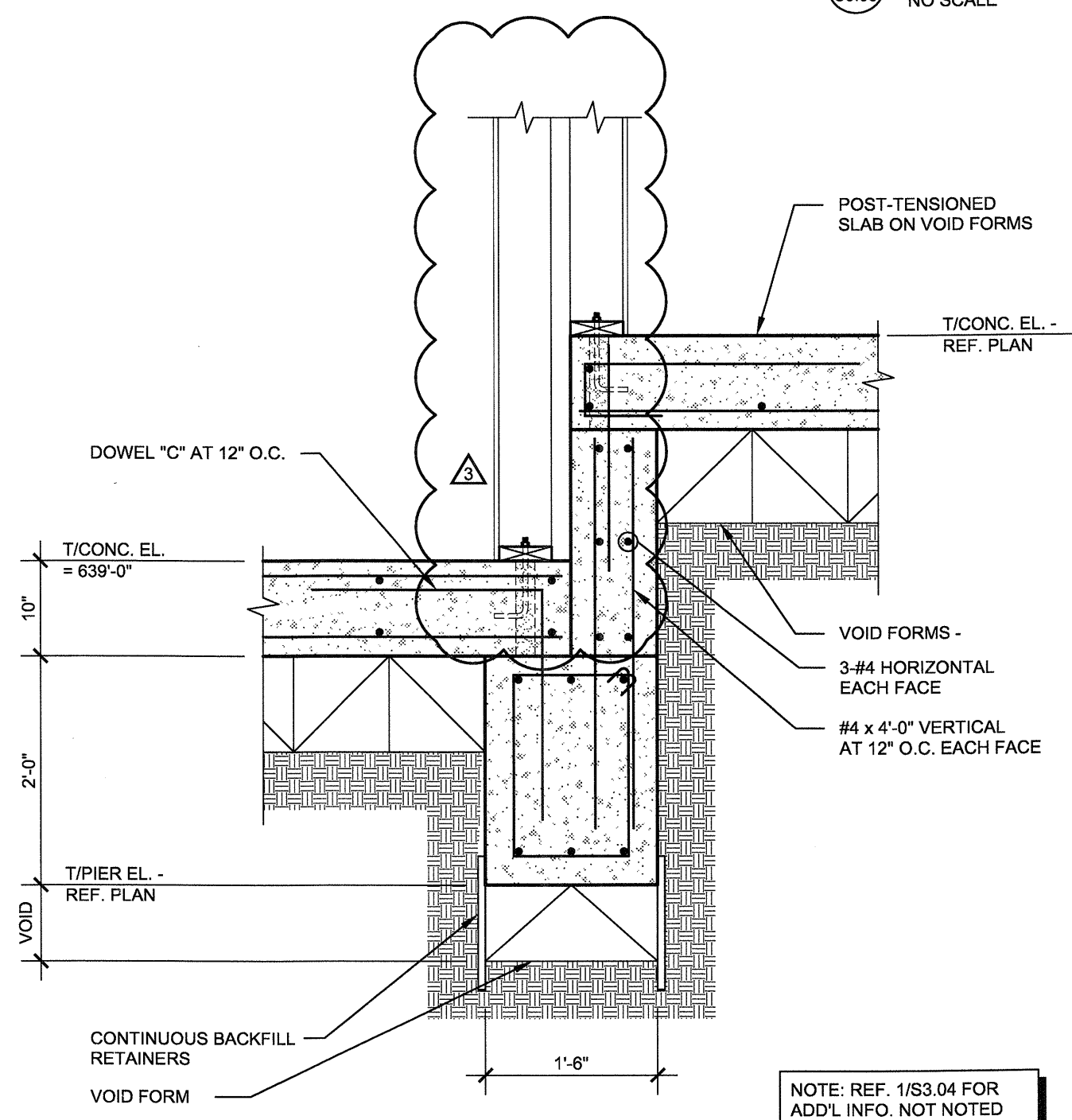
1 TYPICAL BUILT-UP SLAB DETAIL
NO SCALE



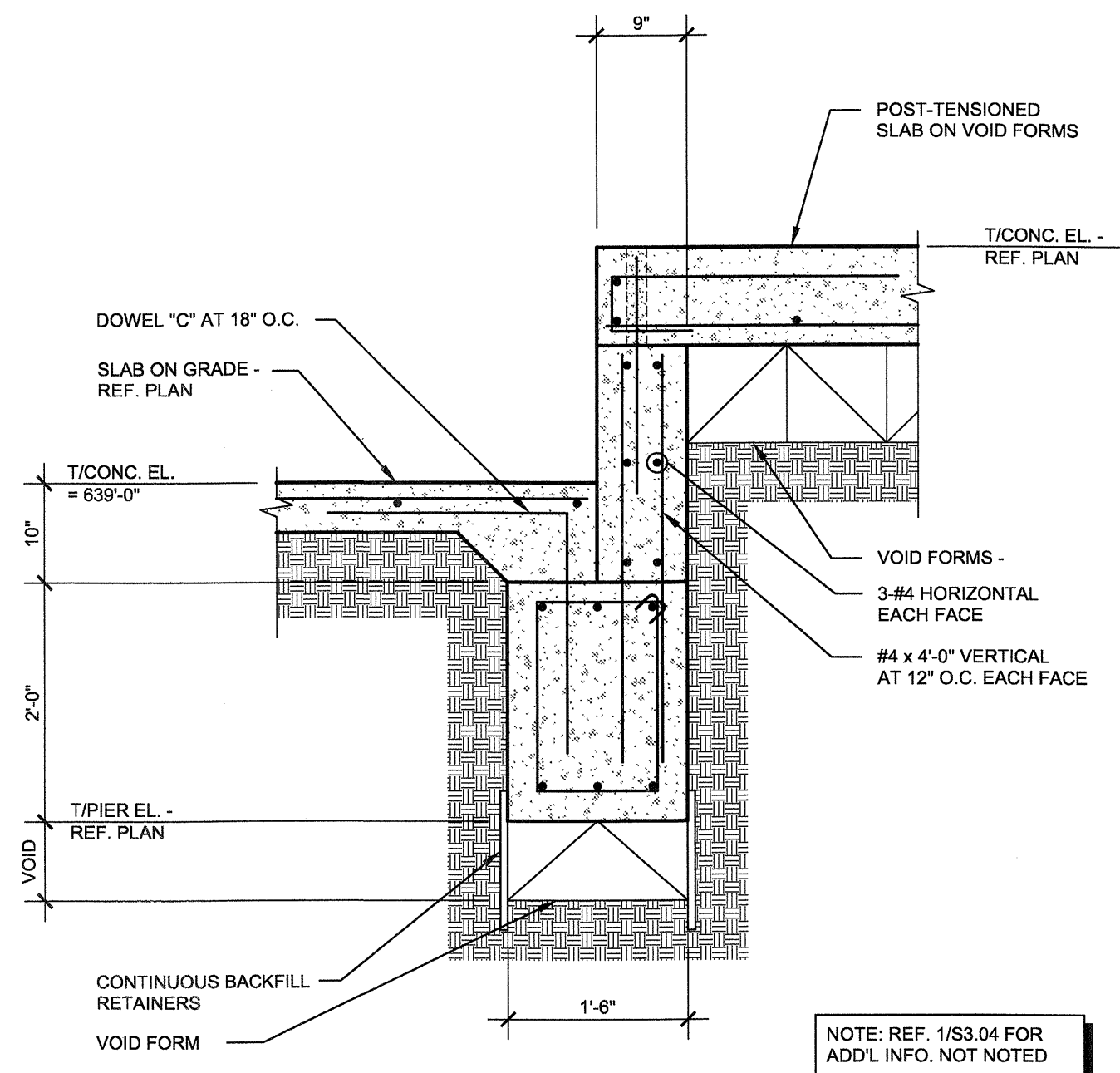
2 TYPICAL BUILT-UP STAIR DETAIL
NO SCALE



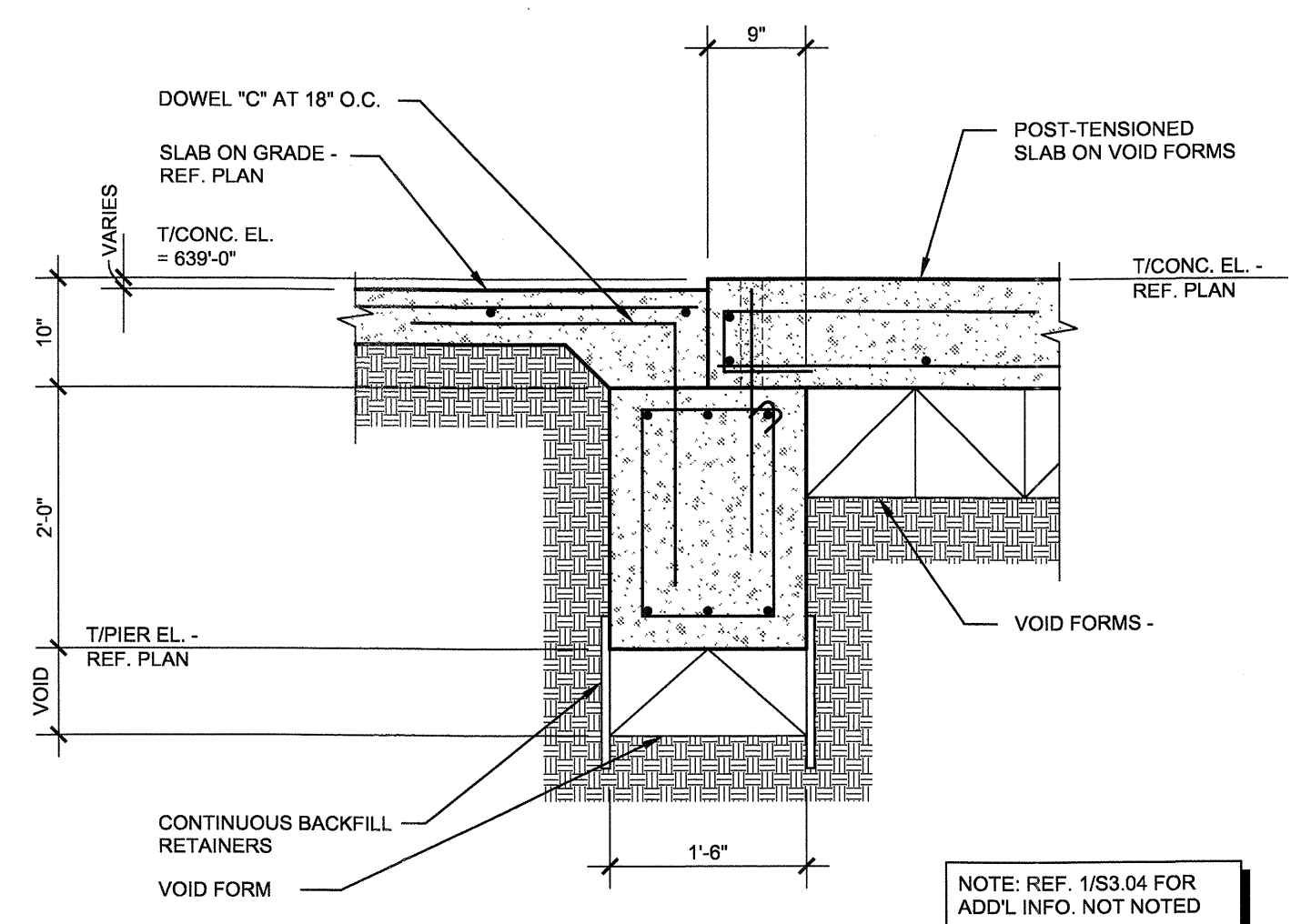
3 TYPICAL BUILT-UP RAMP DETAIL
NO SCALE



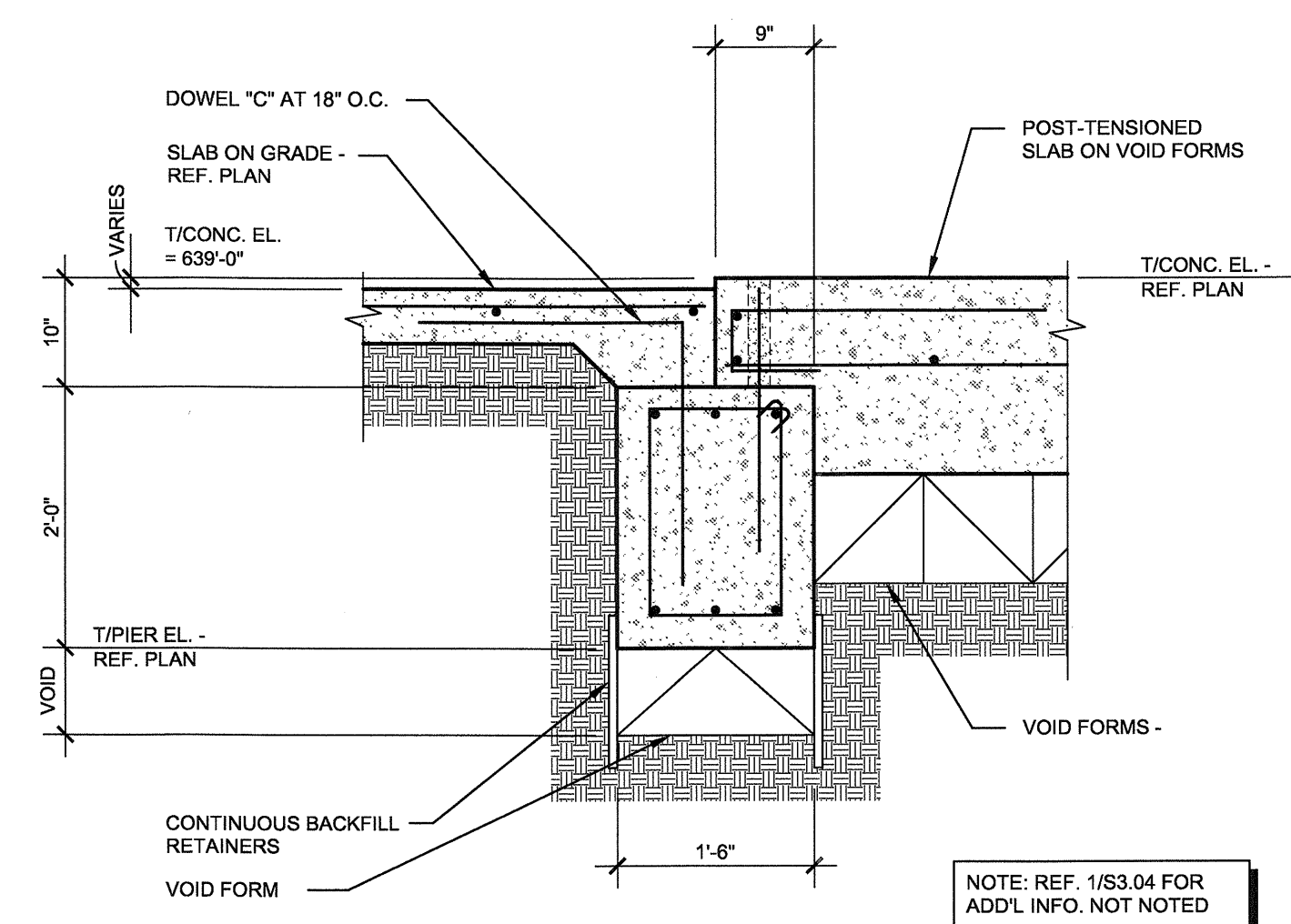
4 SECTION
NO SCALE



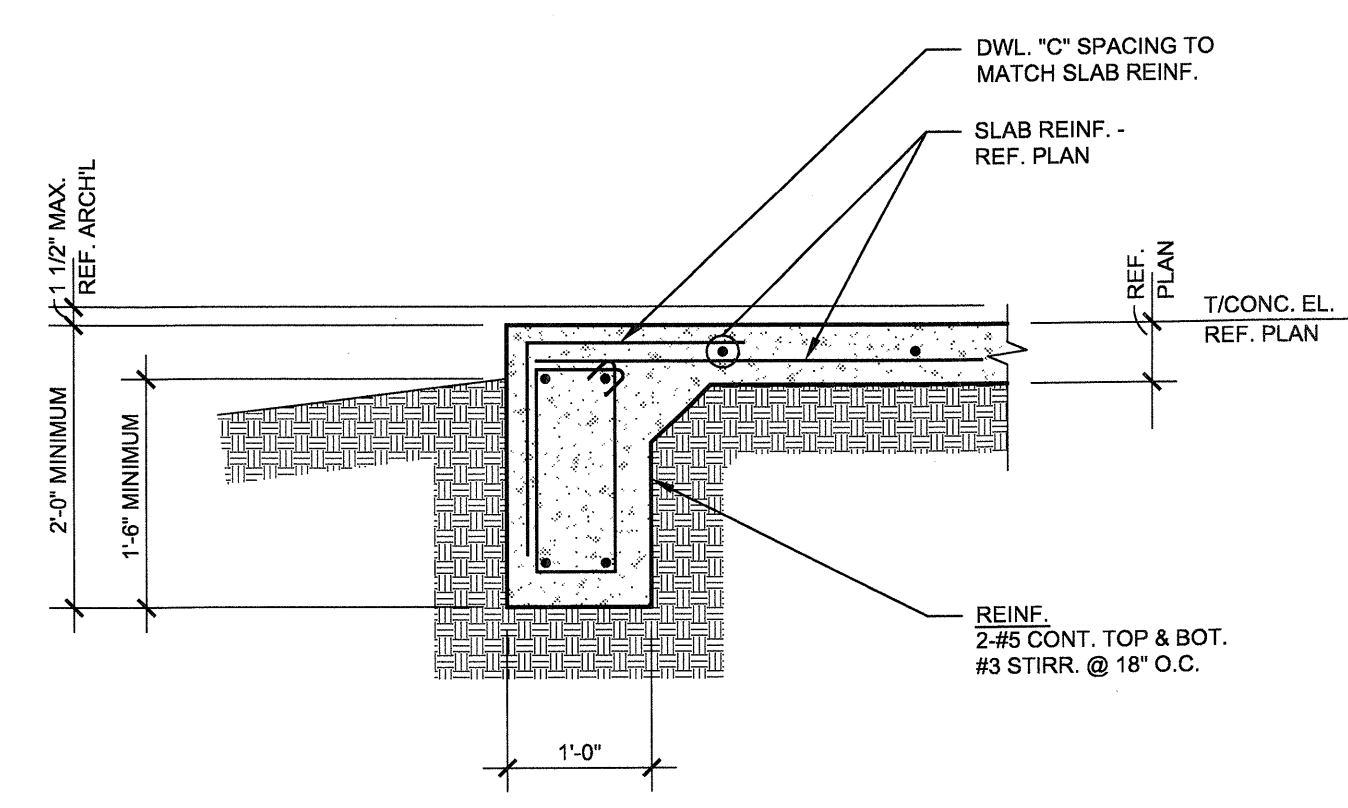
5 SECTION
NO SCALE



6 SECTION
NO SCALE



7 SECTION
NO SCALE



8 SECTION
NO SCALE

REVISIONS	
△ SLAB ON VOID FOUNDATION	11/18/2011
△ SLAB ON GRADE FOR METER BANK	12/21/2011
△ SLAB DROP COORDINATION	04/04/12

KELLER SPRINGS LOFTS
 LOFT APARTMENTS IN ADDISON, TEXAS

CONSTRUCTION ISSUE
 10-17-2011

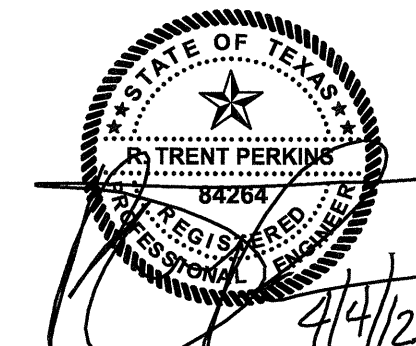
BGO
 architects
 4144 N. Central Expy.,
 Suite 855
 Dallas, TX 75204
 214.520.8878
 bgoarchitects.com

DATE
 08-05-2011

PROJECT
 11129

SHEET NUMBER

S3.05



THE SEAL APPEARING
 ON THIS DOCUMENT
 WAS AUTHORIZED BY
 R. TRENT PERKINS, P.E. 84264

THIS DOCUMENT IS THE RENDERING OF A PROFESSIONAL
 SERVICE, THE ESSENCE OF WHICH IS THE PROVIDING OF
 ADVICE, JUDGEMENT, OPINION, OR SIMILAR PROFESSIONAL
 SKILL.

PRO
 PARKIN - PERKINS - OLSEN
 CONSULTING ENGINEERING, INC.
 9330 LBJ Freeway Suite 1055
 Dallas, Texas 75243
 Tel 214.221.2220 Fax 214.221.2252
 Project No. 39155
 Registration No. F-1479