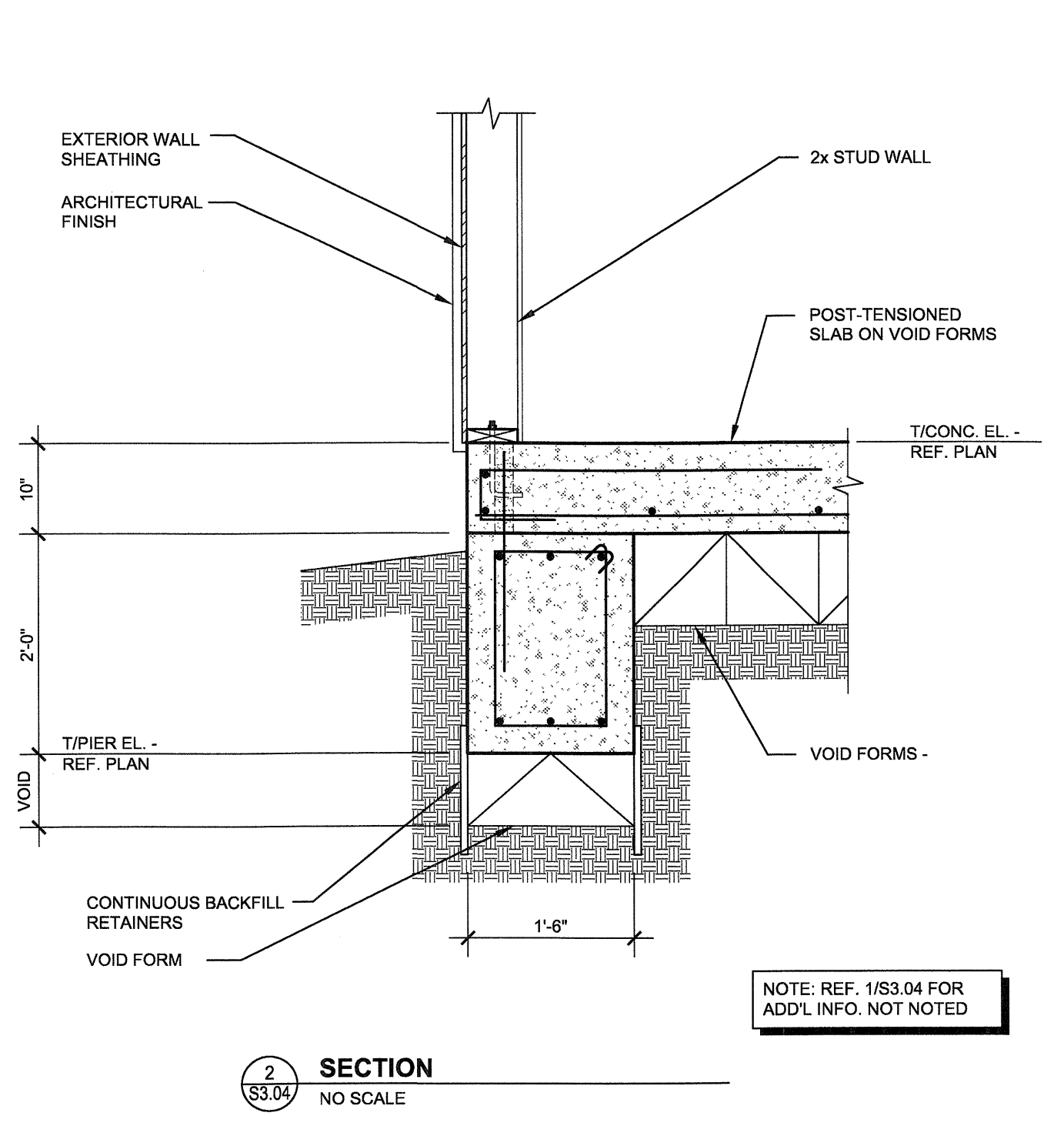
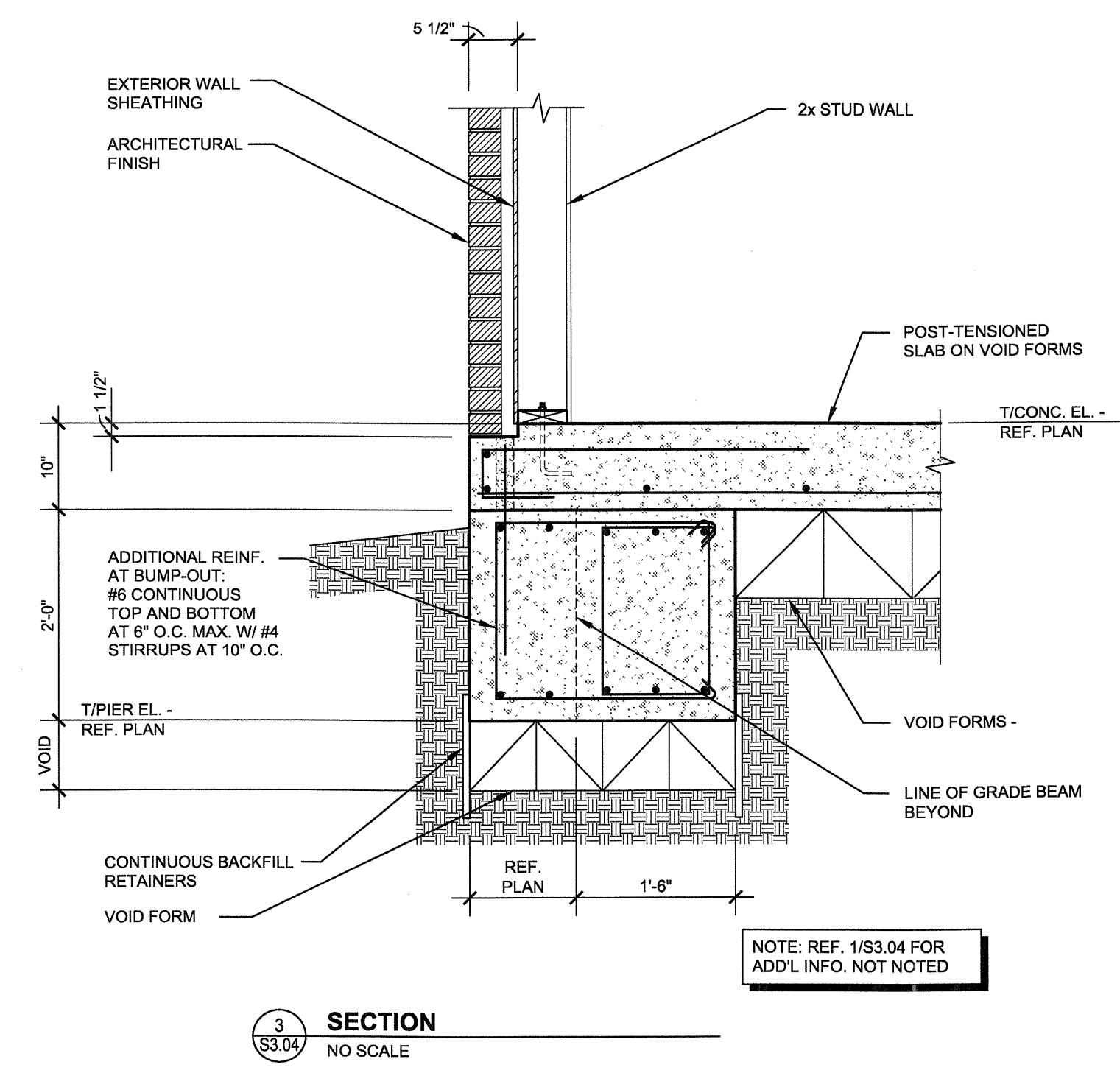


1 SECTION
NO SCALE



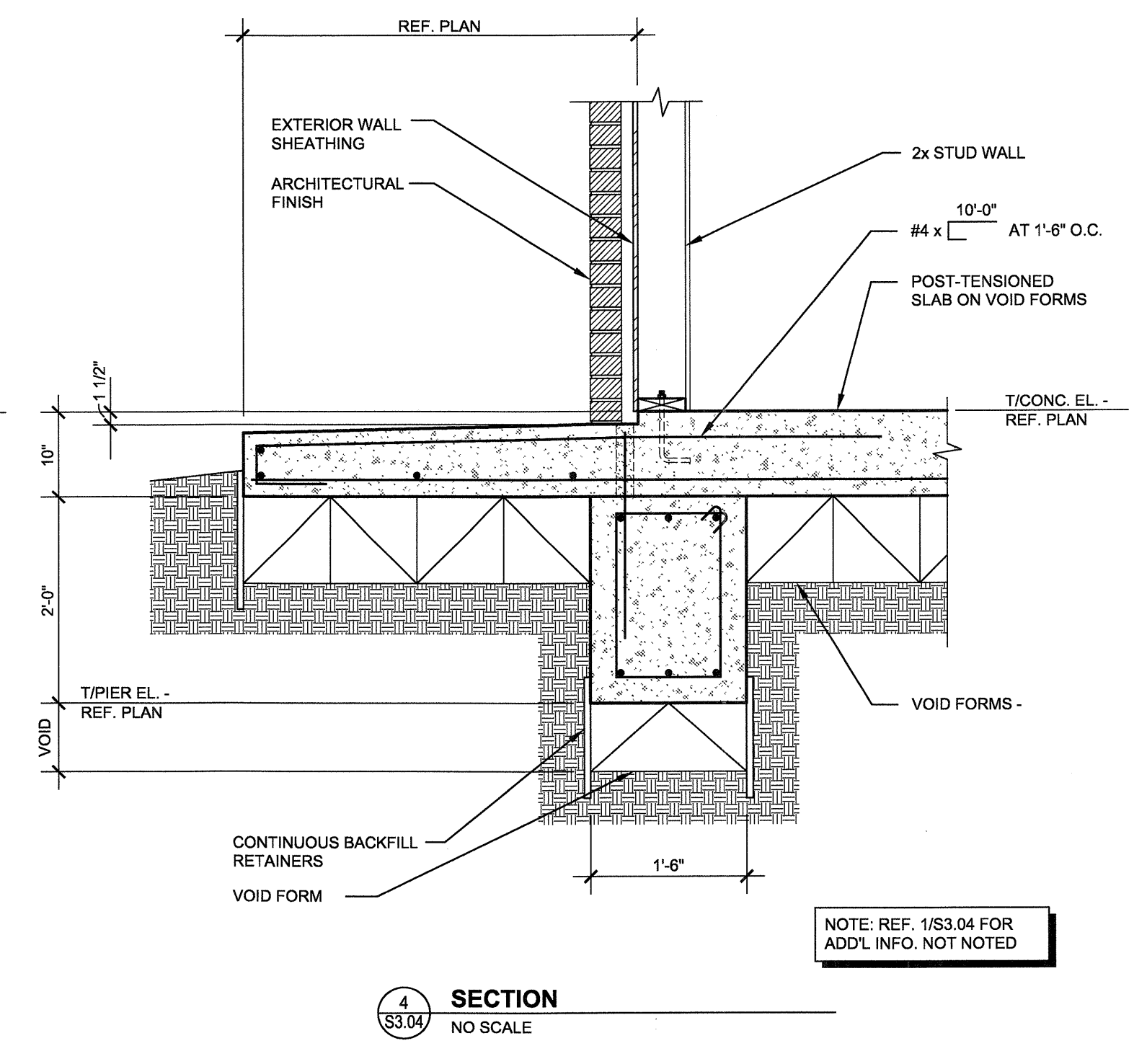
2 SECTION
NO SCALE

NOTE: REF. 1/S3.04 FOR ADD'L INFO. NOT NOTED



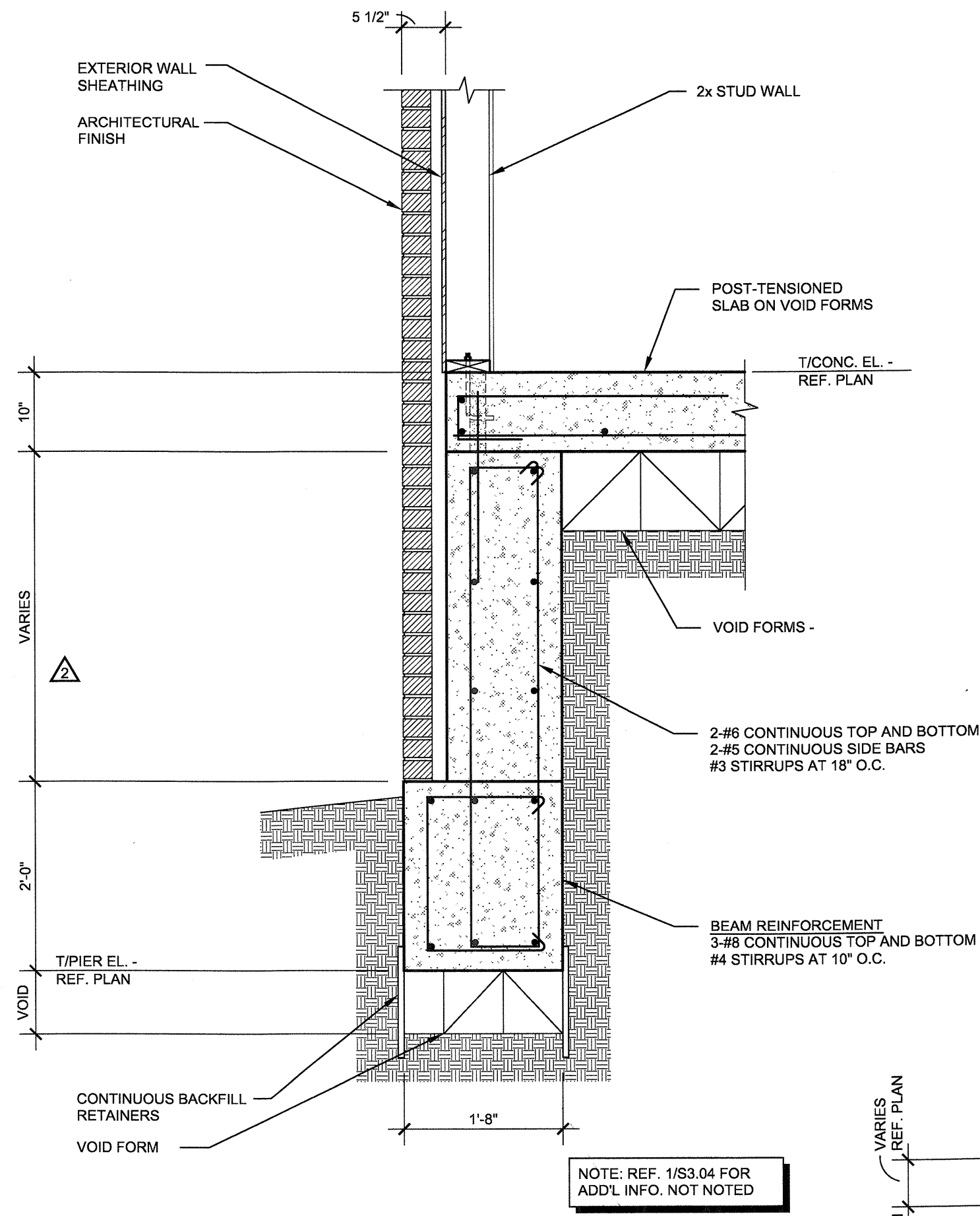
3 SECTION
NO SCALE

NOTE: REF. 1/S3.04 FOR ADD'L INFO. NOT NOTED



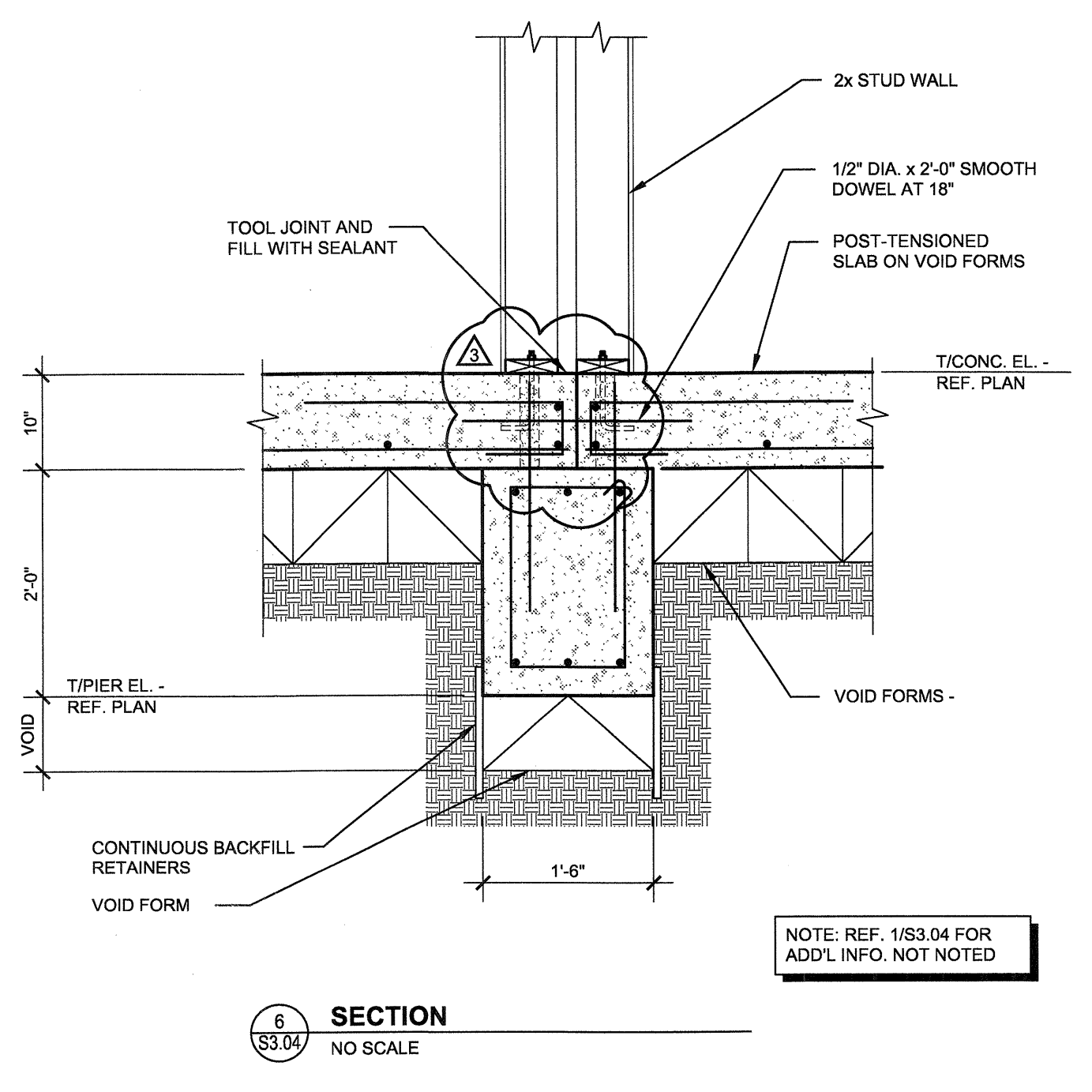
4 SECTION
NO SCALE

NOTE: REF. 1/S3.04 FOR ADD'L INFO. NOT NOTED



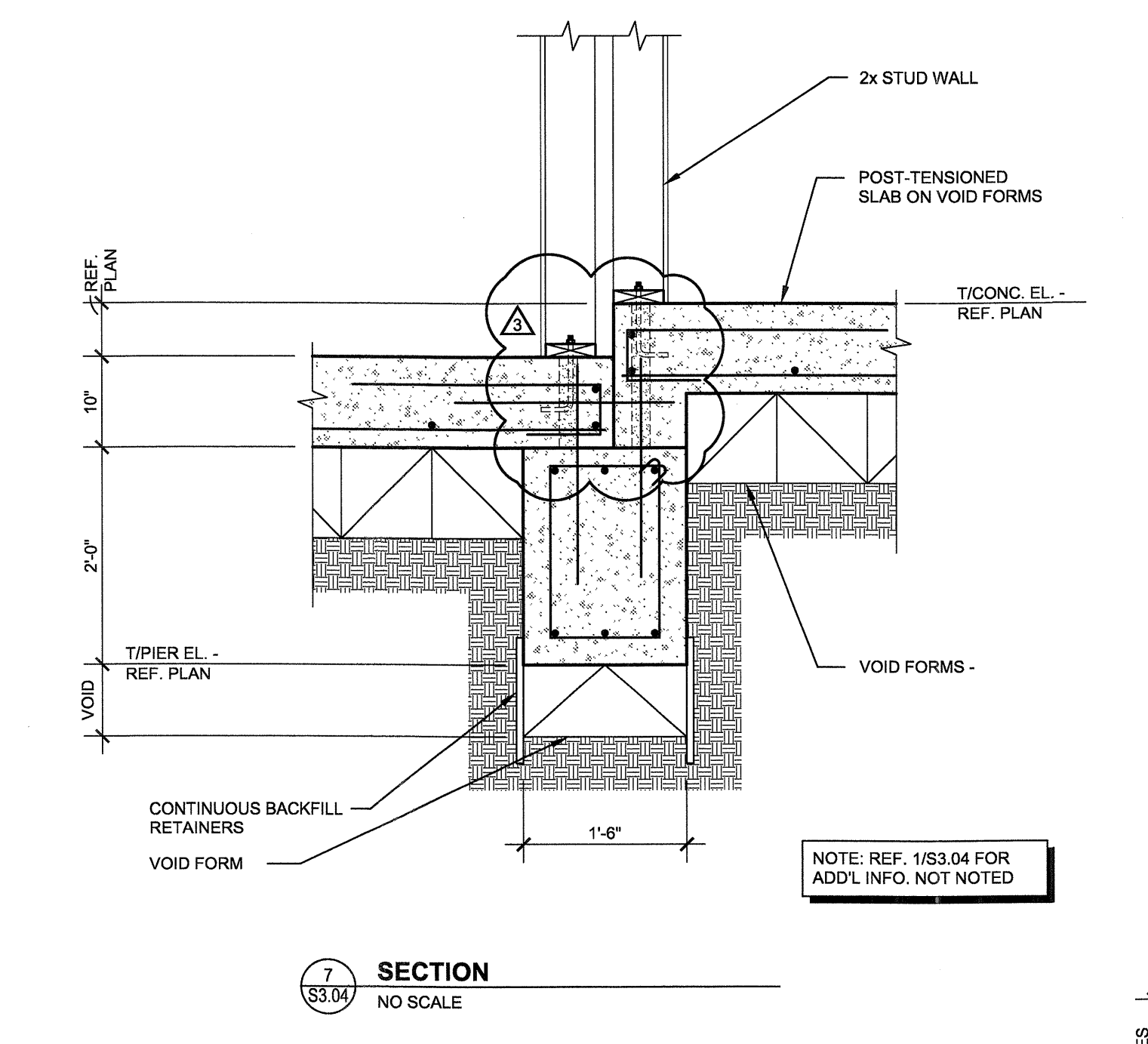
5 SECTION
NO SCALE

NOTE: REF. 1/S3.04 FOR ADD'L INFO. NOT NOTED



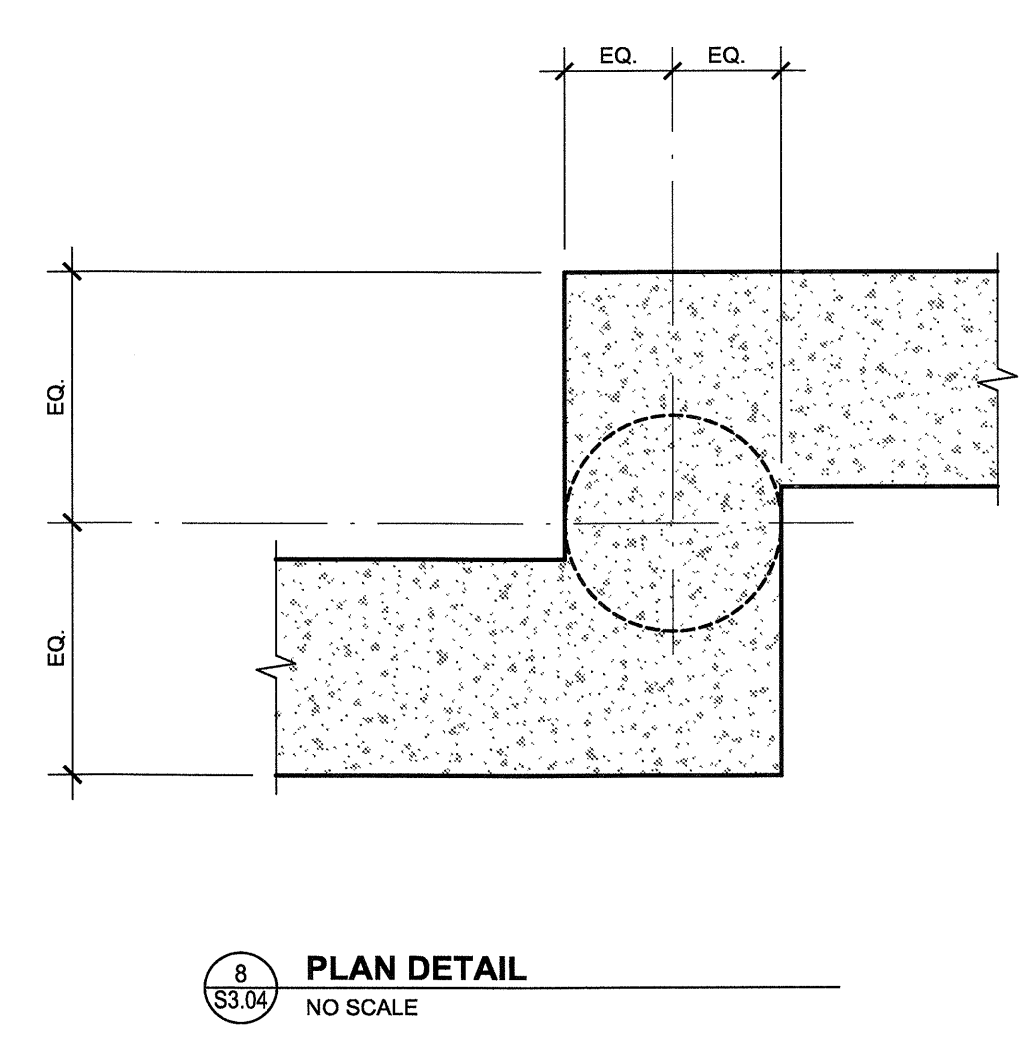
6 SECTION
NO SCALE

NOTE: REF. 1/S3.04 FOR ADD'L INFO. NOT NOTED

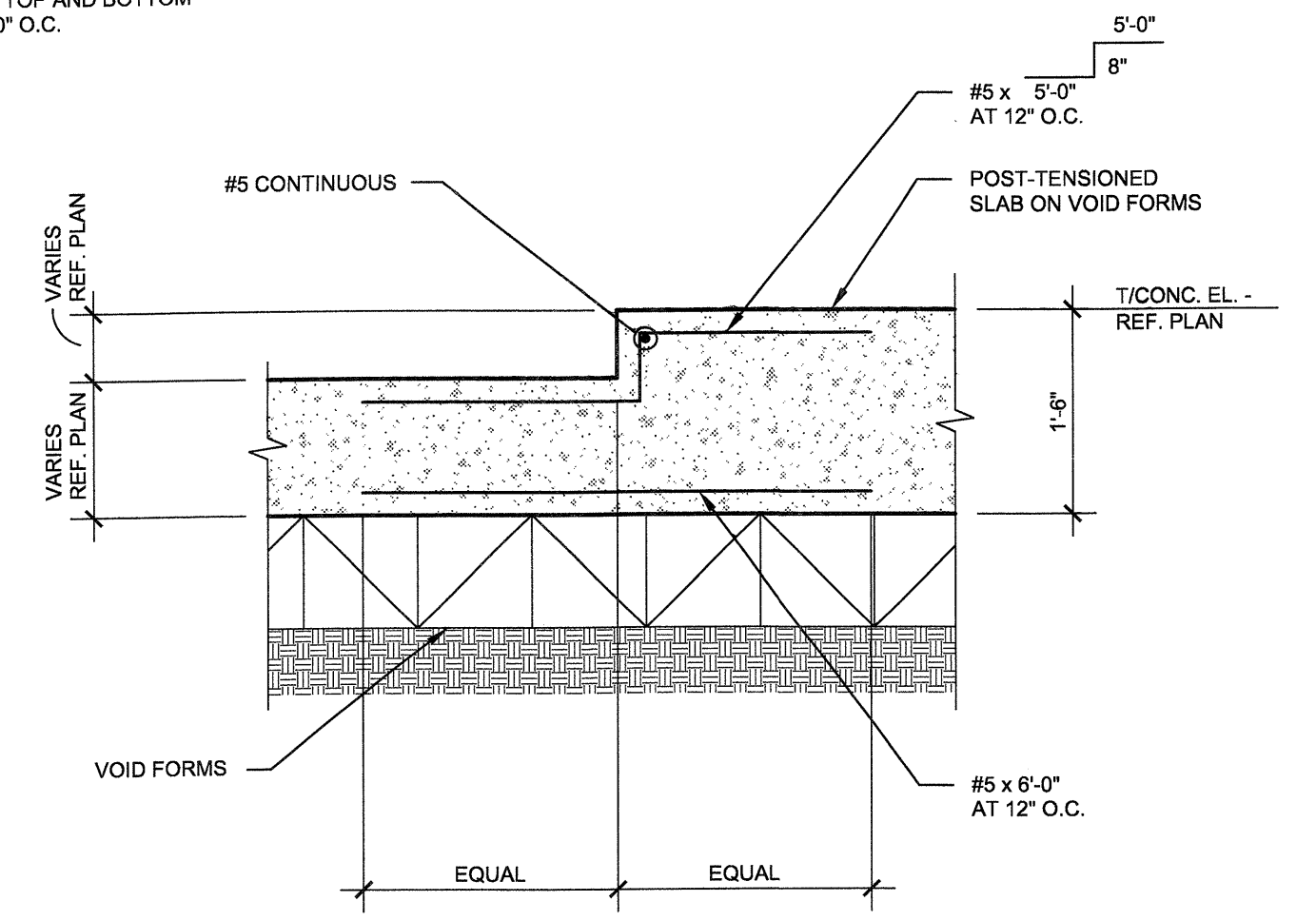


7 SECTION
NO SCALE

NOTE: REF. 1/S3.04 FOR ADD'L INFO. NOT NOTED

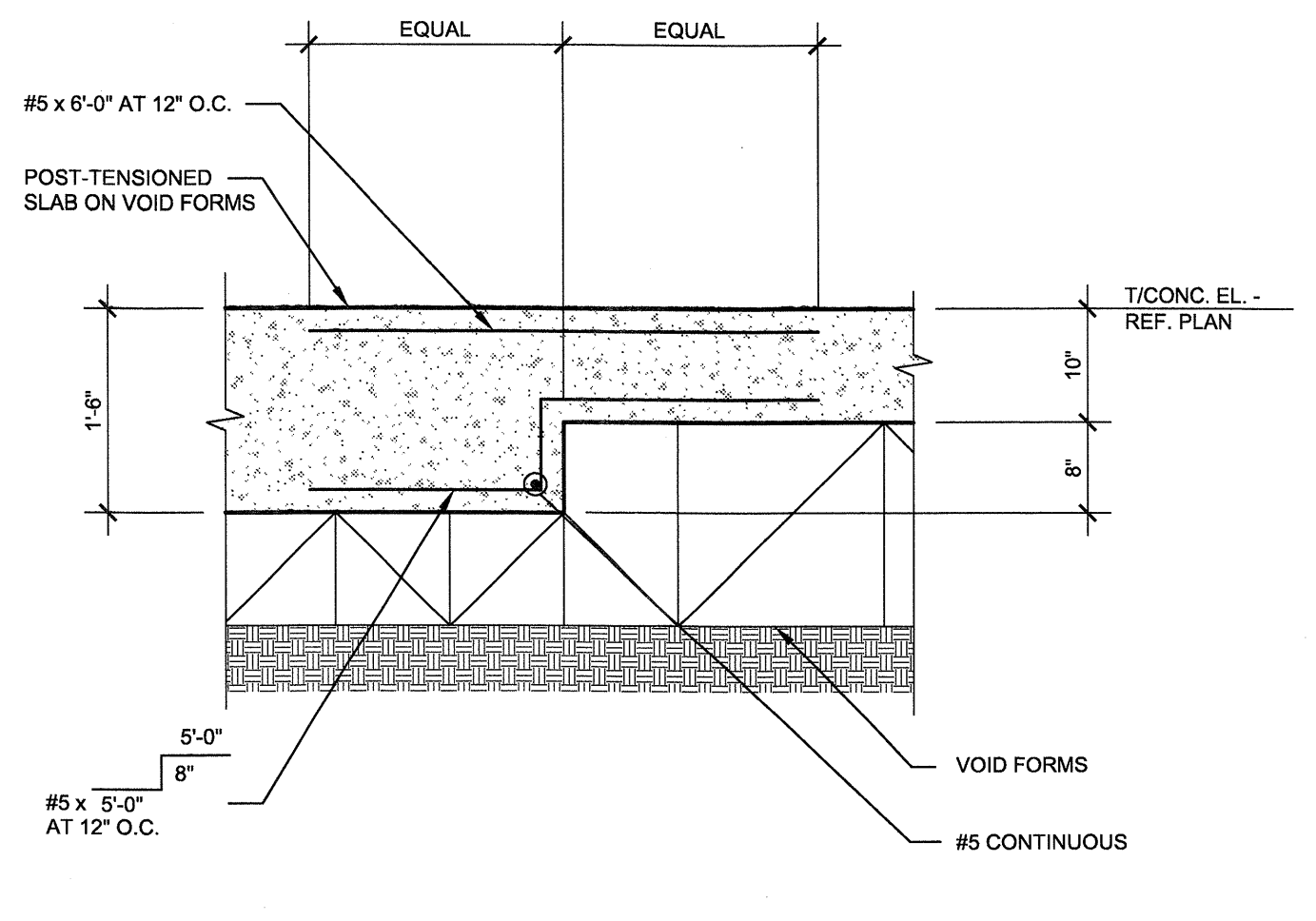


8 PLAN DETAIL
NO SCALE

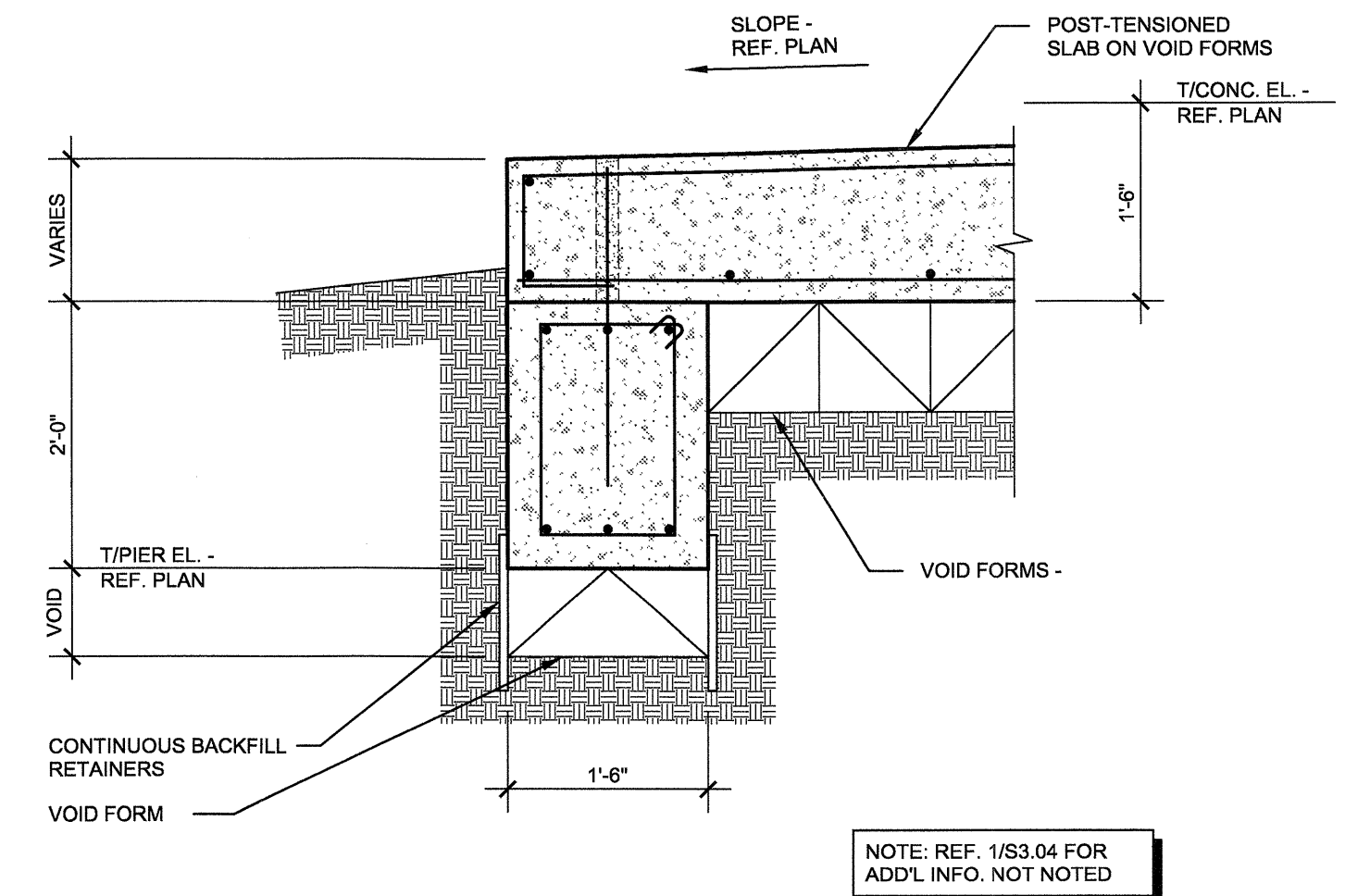


9 SECTION
NO SCALE

NOTE: REF. 1/S3.04 FOR ADD'L INFO. NOT NOTED

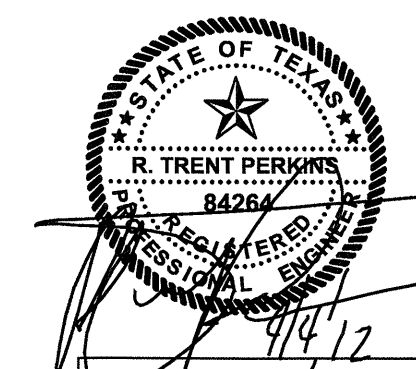


10 SECTION
NO SCALE



11 SECTION
NO SCALE

NOTE: REF. 1/S3.04 FOR ADD'L INFO. NOT NOTED



THE SEAL APPEARING ON THIS DOCUMENT WAS AUTHORIZED BY R. TRENT PERKINS, P.E. 84264

THIS DOCUMENT IS THE RENDERING OF A PROFESSIONAL SERVICE. THE ESSENCE OF WHICH IS THE PROVIDING OF ADVICE, JUDGEMENT, OPINION, OR SIMILAR PROFESSIONAL SKILL.

PPO
PARKIN - PERKINS - OLSEN
CONSULTING ENGINEERING, INC.
9330 LBJ Freeway Suite 1055
Dallas, Texas 75243
Tel 214.221.2220 Fax 214.221.2252
Project No. 39155
Registration No. F-1479

REVISIONS	
△ SLAB ON VOID FOUNDATION	11/18/2011
△ COORDINATION	01/25/12
△ SLAB DROP COORDINATION	04/04/12

KELLER SPRINGS LOFTS
LOFT APARTMENTS IN ADDISON, TEXAS

CONSTRUCTION ISSUE
10-17-2011

BGO architects
4144 N. Central Expy., Suite 855
Dallas, TX 75204
214.520.8878
bgoarchitects.com

DATE
08-05-2011

PROJECT
11129

SHEET NUMBER
S3.04