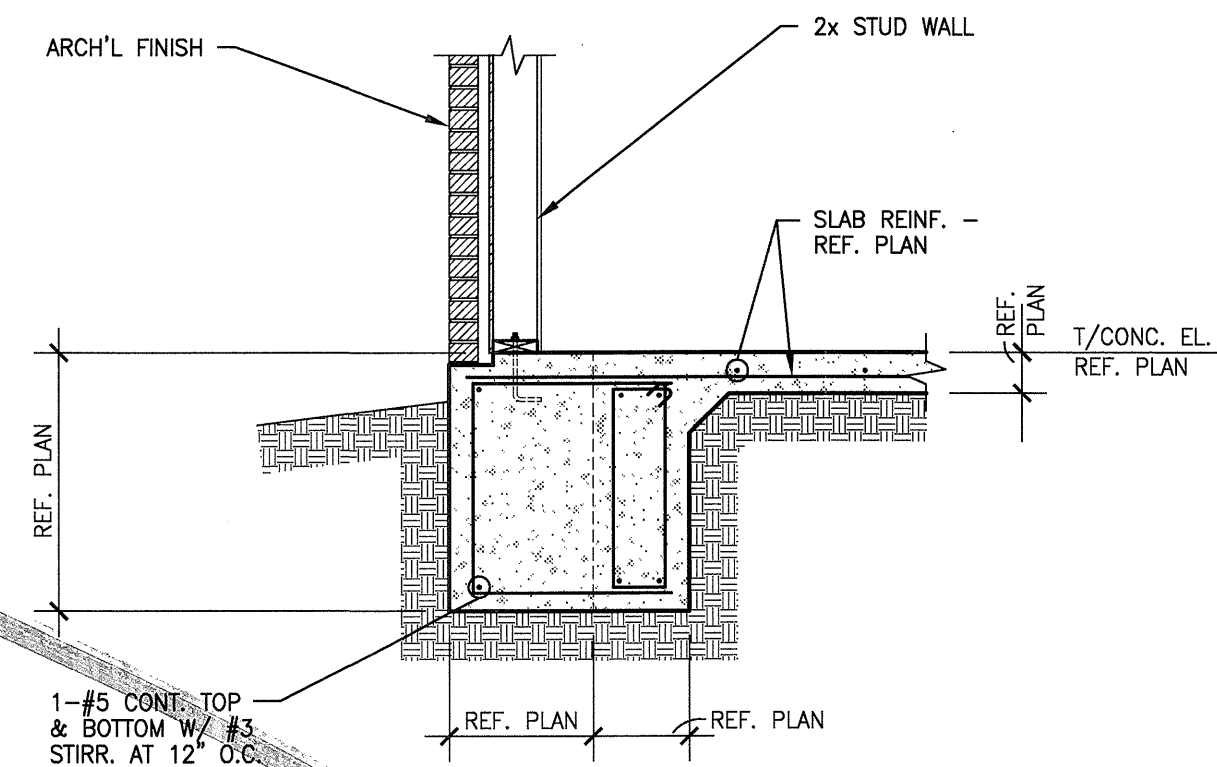


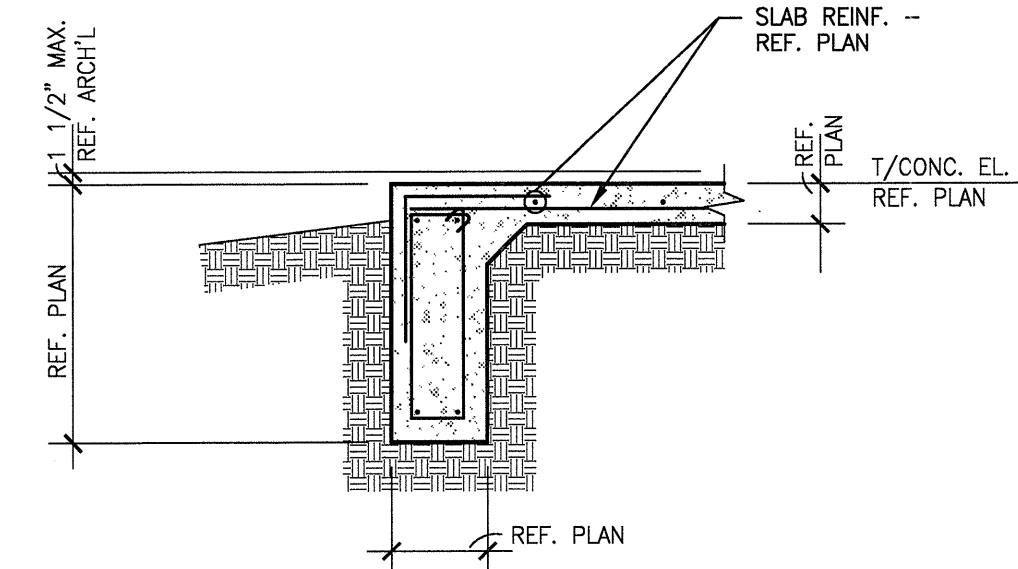
SECTION 1
SCALE: 1/2"=1'-0"

NOTE: BRICK LEDGE DOES NOT OCCUR AT SIM. CONDITION



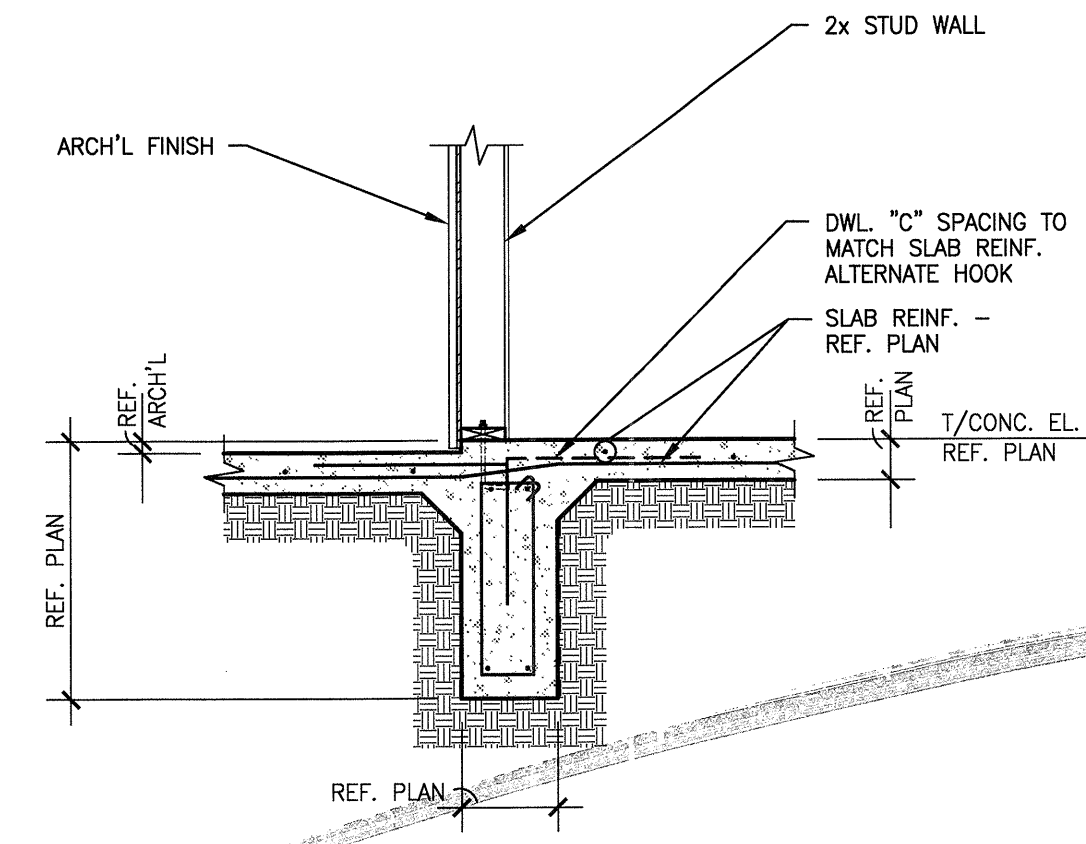
SECTION 2
SCALE: 1/2"=1'-0"

NOTE: REF. 1/S3.04 FOR ADD'L INFO. NOT NOTED



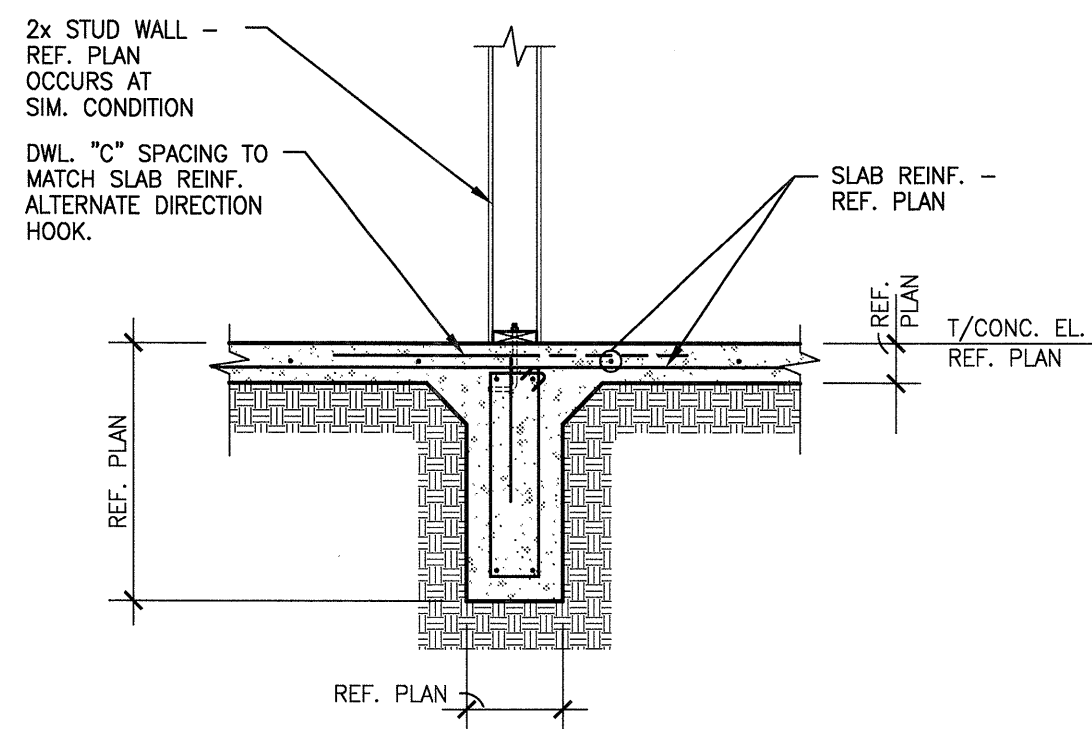
SECTION 3
SCALE: 1/2"=1'-0"

NOTE: REF. 1/S3.04 FOR ADD'L INFO. NOT NOTED



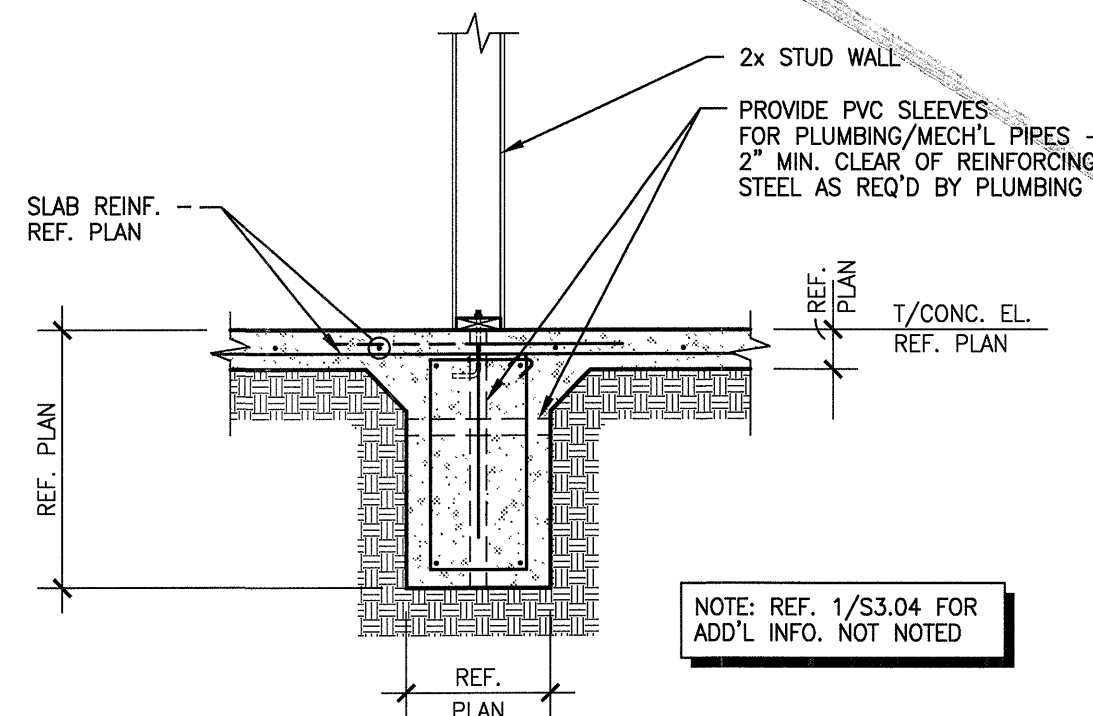
SECTION 4
SCALE: 1/2"=1'-0"

NOTE: REF. 1/S3.04 FOR ADD'L INFO. NOT NOTED



SECTION 5
SCALE: 1/2"=1'-0"

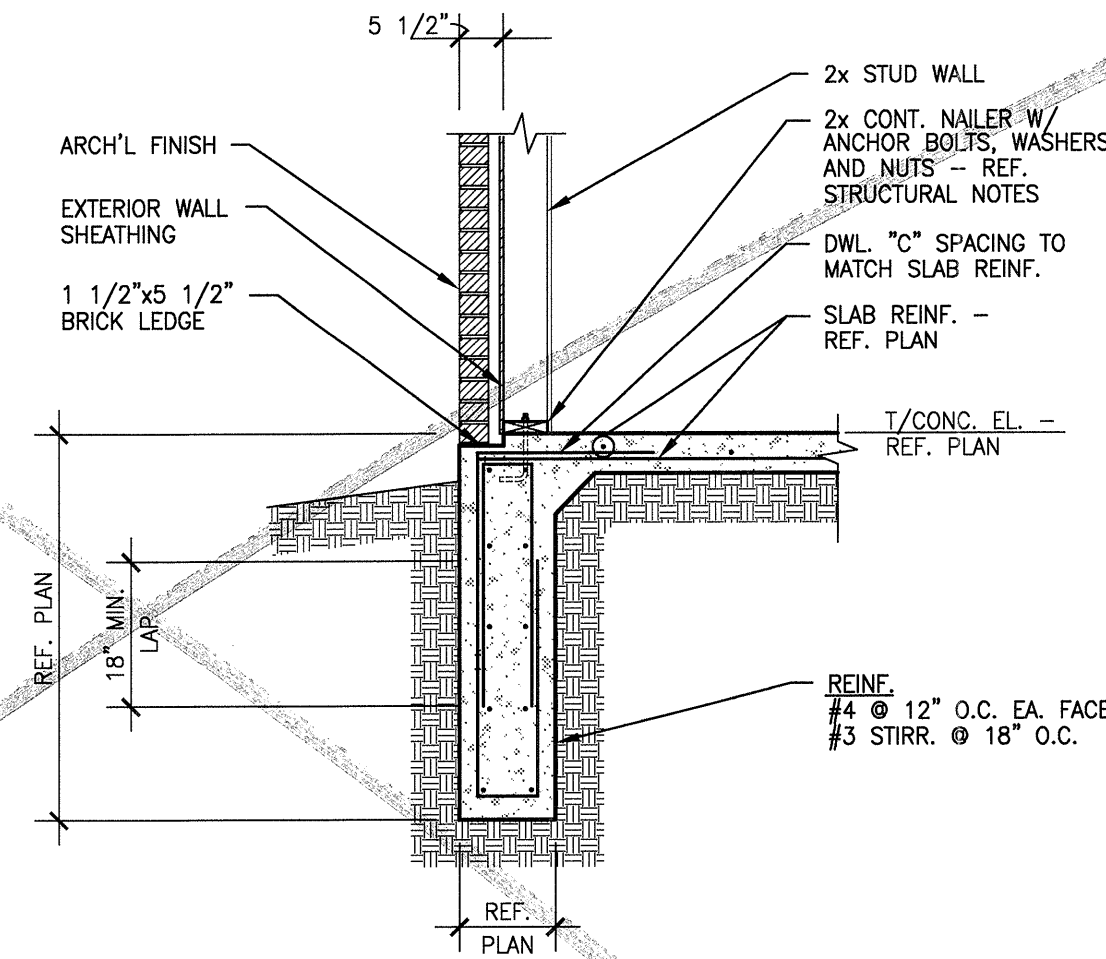
NOTE: REF. 1/S3.04 FOR ADD'L INFO. NOT NOTED



SECTION 6
SCALE: 1/2"=1'-0"

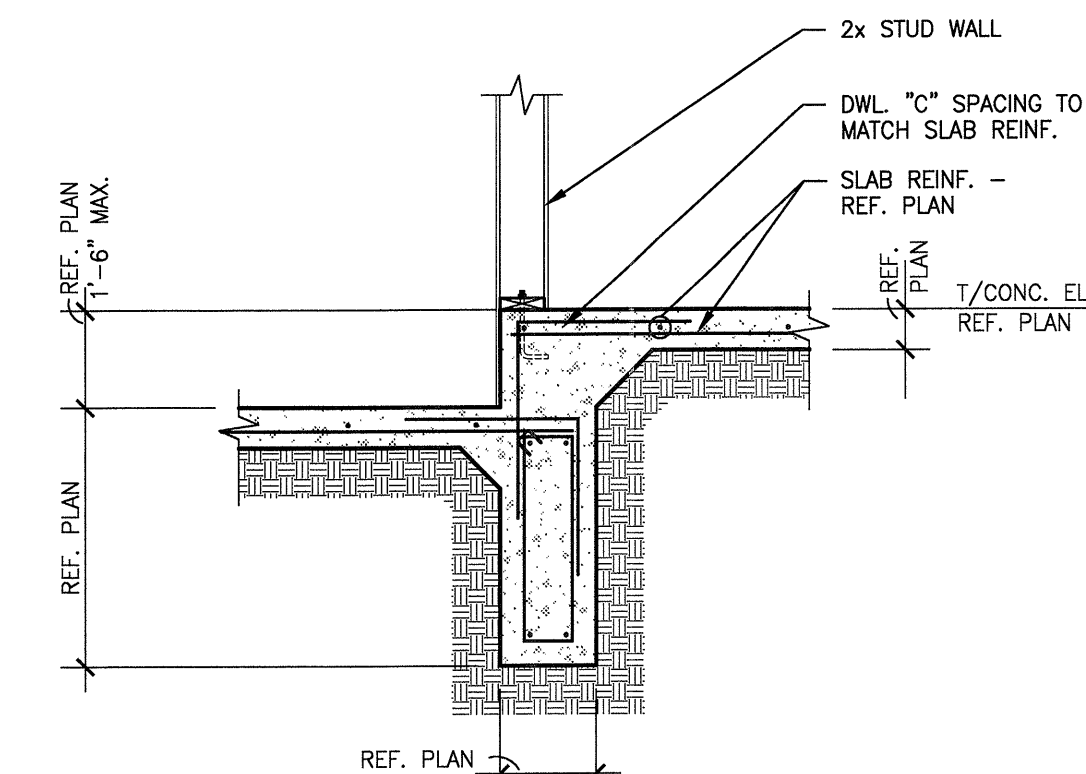
NOTE: REF. 1/S3.04 FOR ADD'L INFO. NOT NOTED

WIDEN BEAM 6\"/>



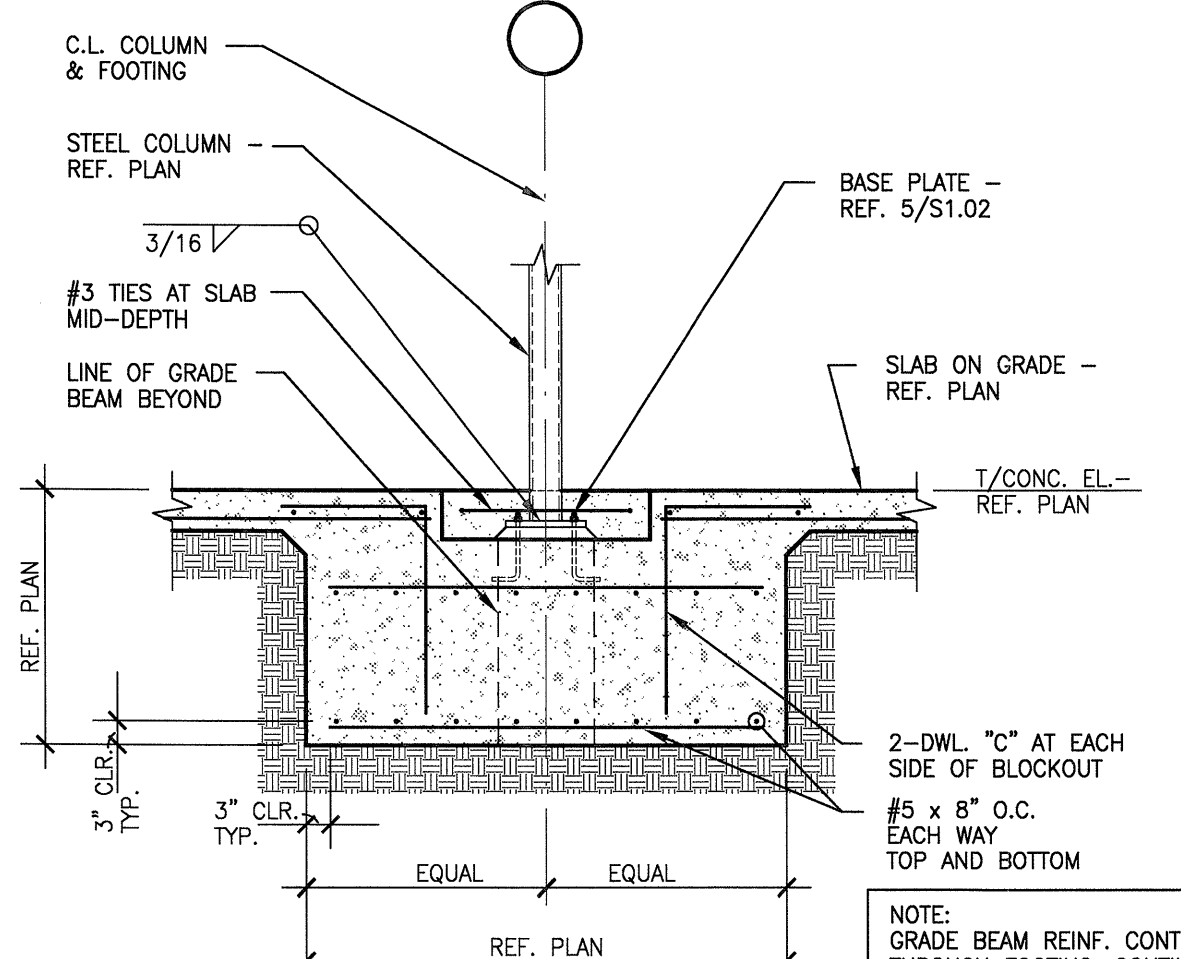
SECTION 7
SCALE: 1/2"=1'-0"

NOTE: REF. 1/S3.04 FOR ADD'L INFO. NOT NOTED



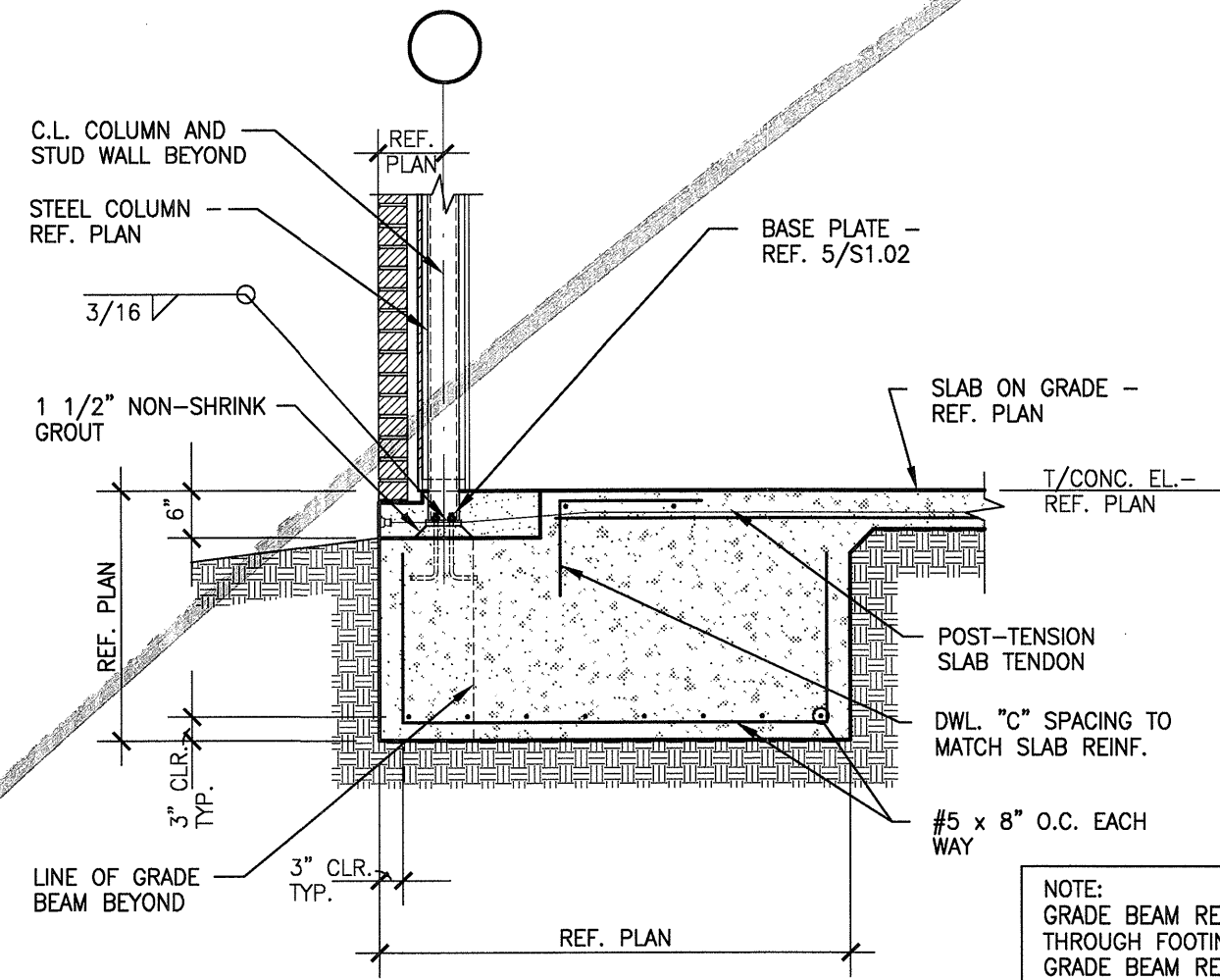
SECTION 8
SCALE: 1/2"=1'-0"

NOTE: REF. 1/S3.04 FOR ADD'L INFO. NOT NOTED



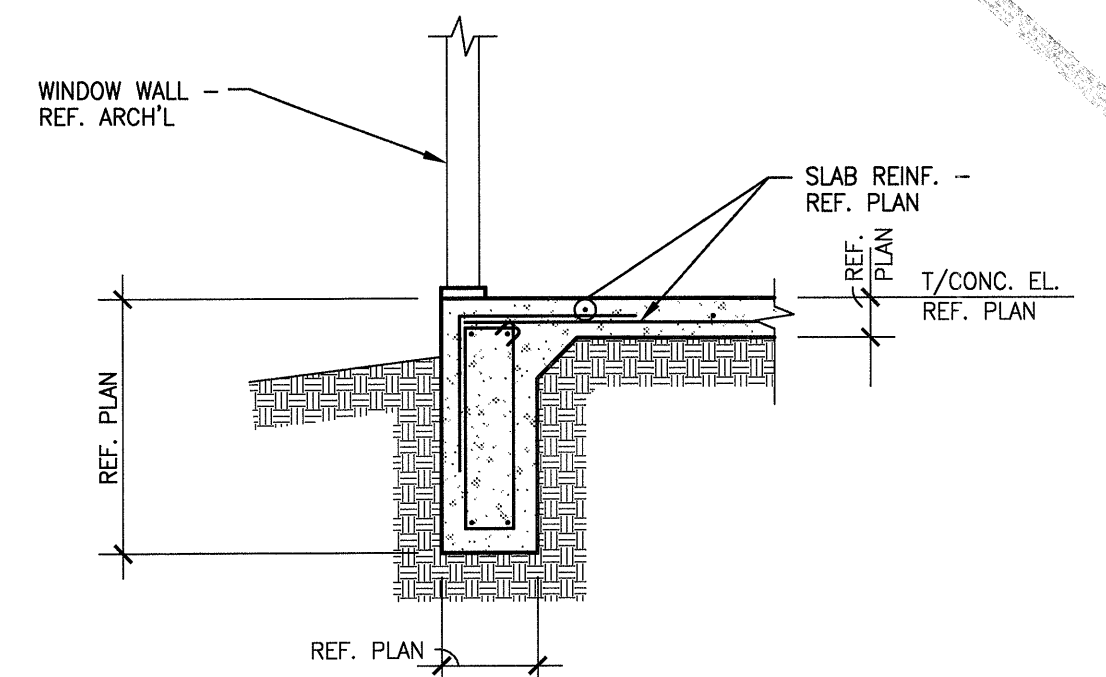
TYPICAL INTERIOR FOOTING DETAIL
SCALE: 1/2"=1'-0"

NOTE: GRADE BEAM REINF. CONTINUOUS THROUGH FOOTING. CONTINUOUS GRADE BEAM REINF. OMITTED IN THIS DETAIL FOR CLARITY.



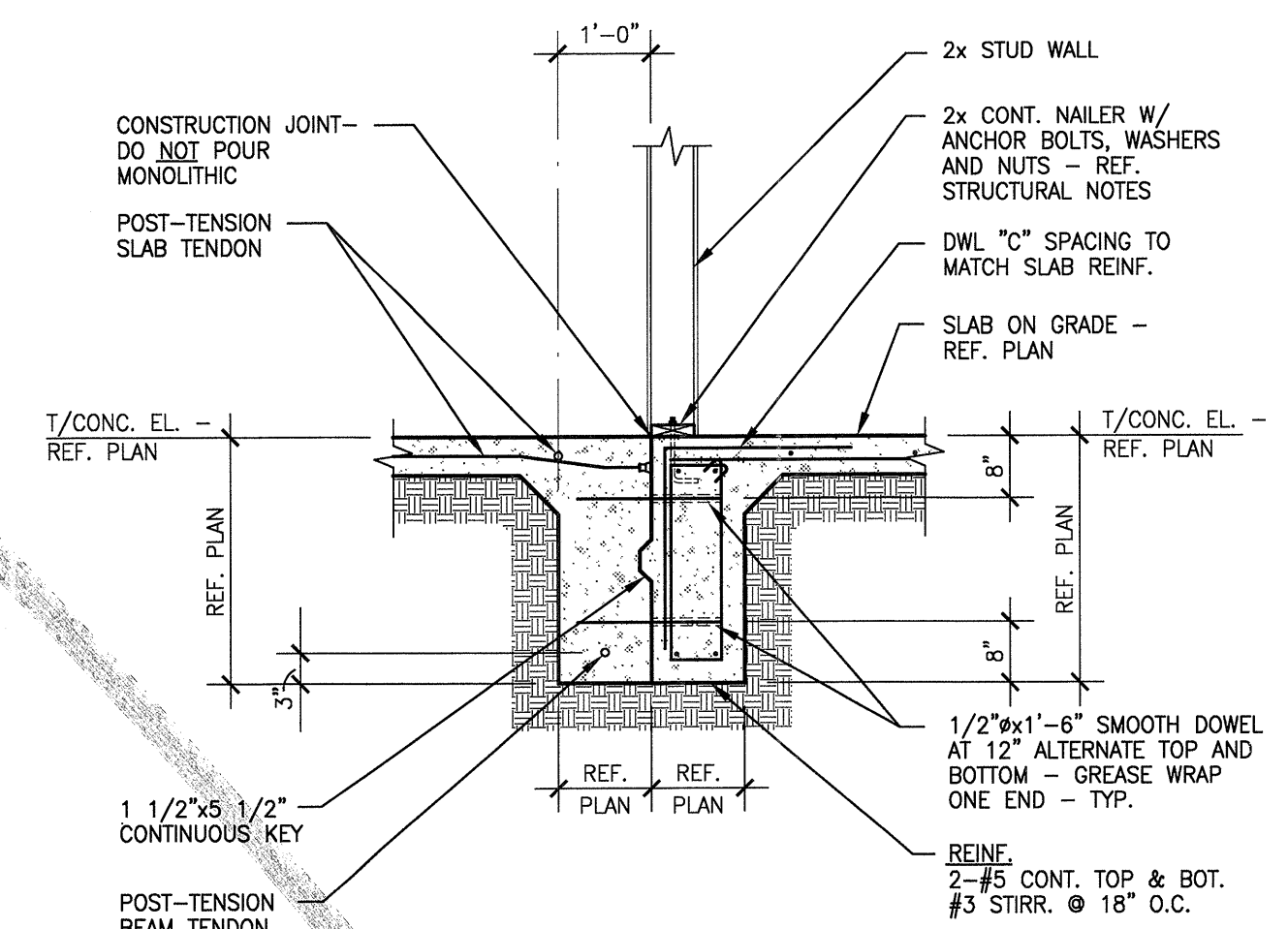
TYPICAL EXTERIOR FOOTING DETAIL
SCALE: 1/2"=1'-0"

NOTE: GRADE BEAM REINF. CONTINUOUS THROUGH FOOTING. CONTINUOUS GRADE BEAM REINF. OMITTED IN THIS DETAIL FOR CLARITY.



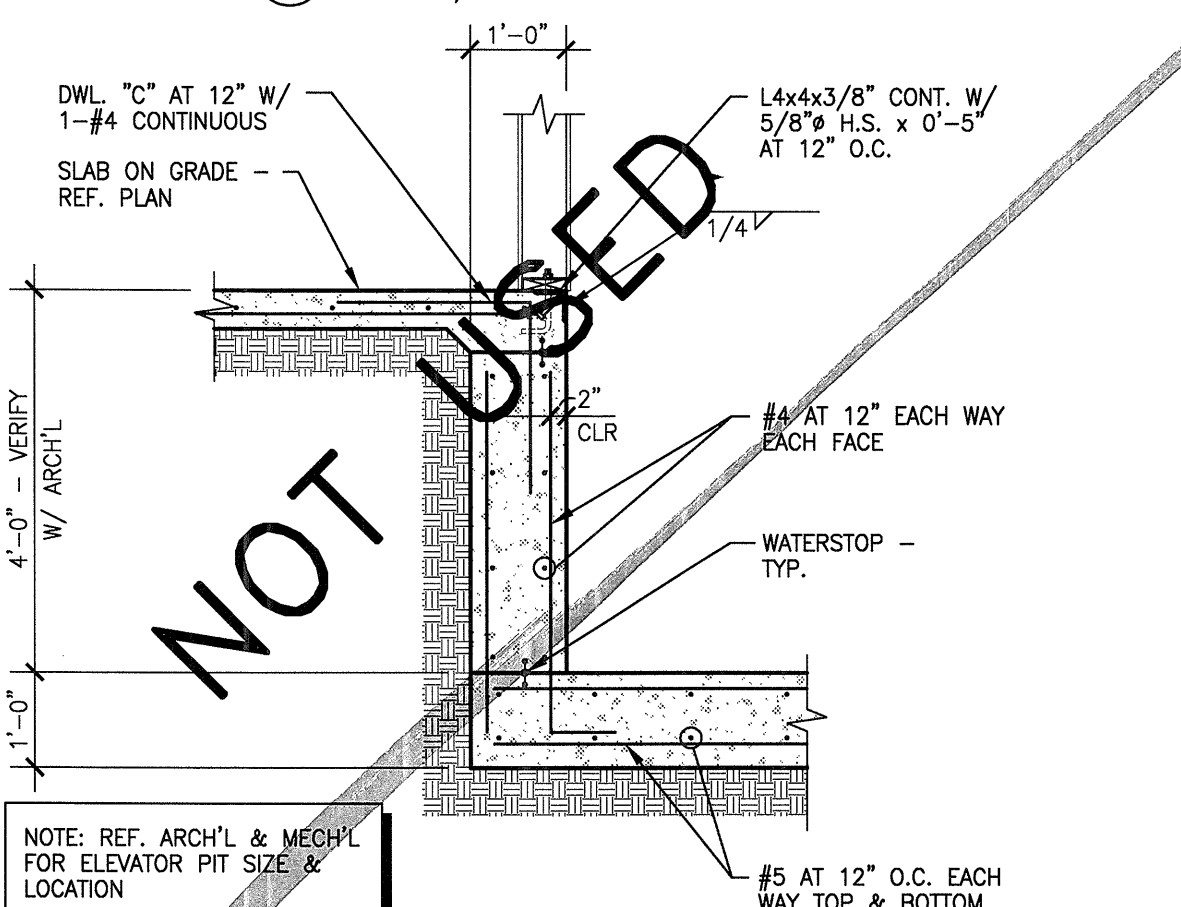
SECTION 11
SCALE: 1/2"=1'-0"

NOTE: REF. 1/S3.04 FOR ADD'L INFO. NOT NOTED



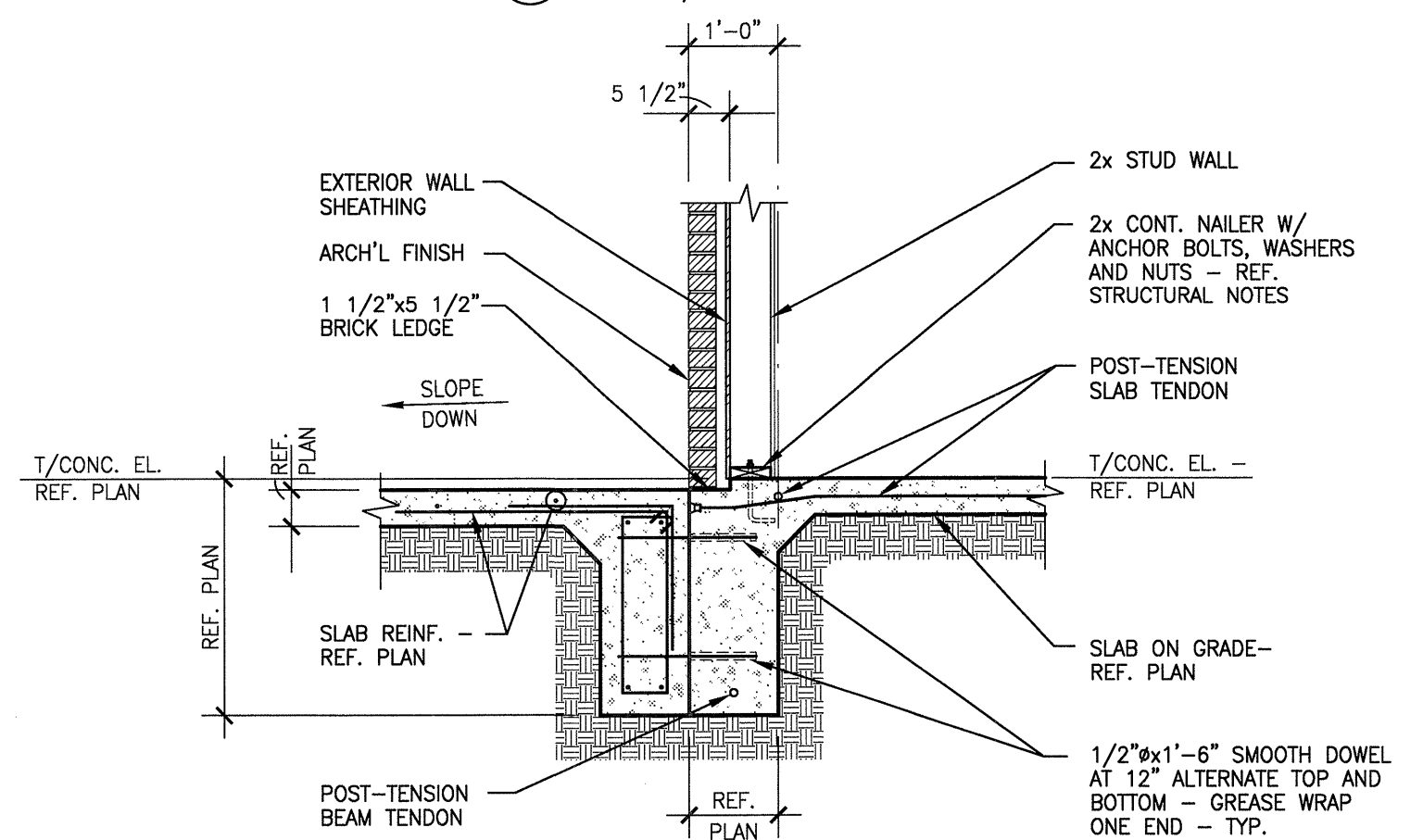
SECTION 12
NO SCALE

NOTES:
1. REF. ARCHITECTURAL FOR WALL LOCATION
2. OMIT SMOOTH DOWELS AT SIMILAR CONDITION



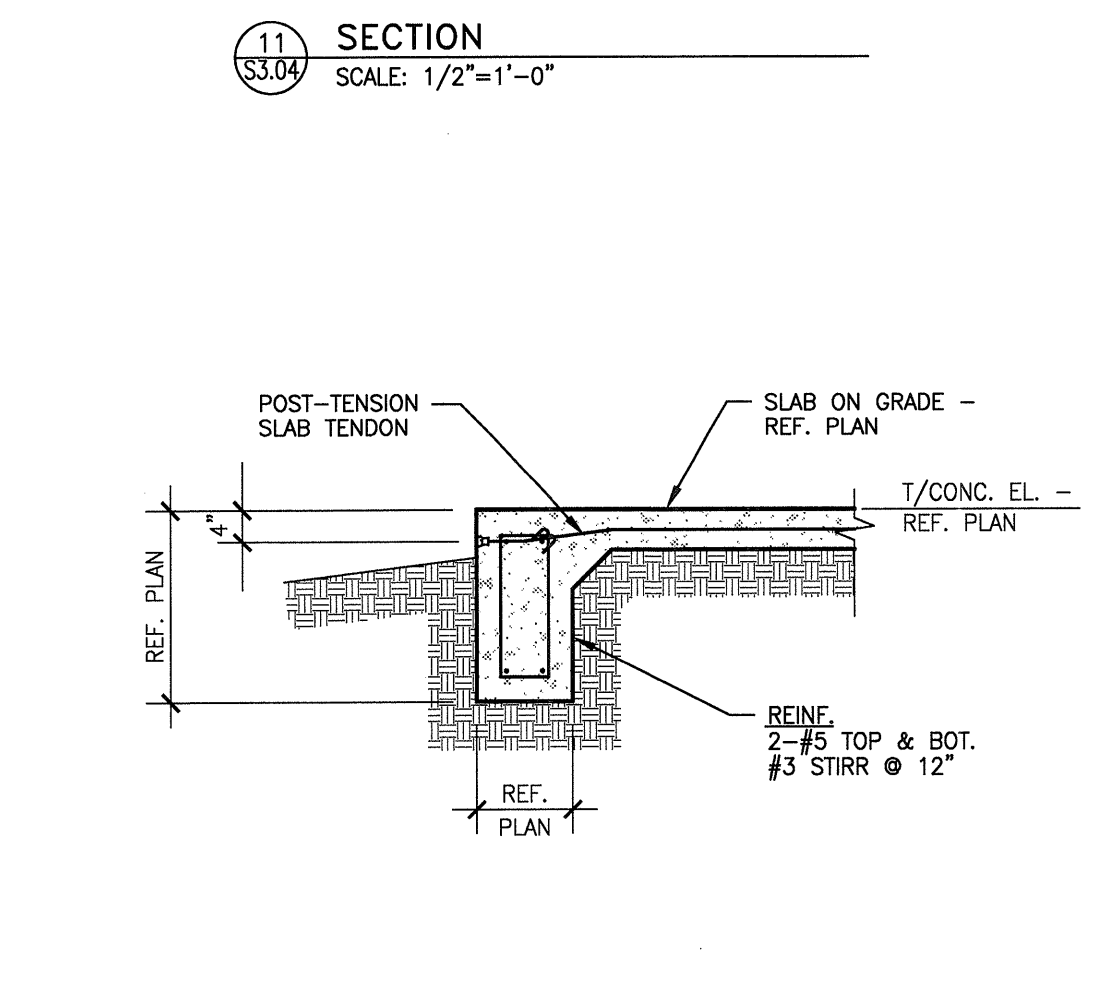
TYPICAL ELEVATOR PIT WALL SECTION
SCALE: 1/2"=1'-0"

NOTE: REF. ARCH'L & MECH'L FOR ELEVATOR PIT SIZE & LOCATION

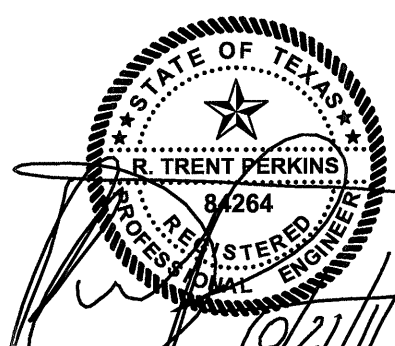


SECTION 14
SCALE: 1/2"=1'-0"

NOTE: REF. 1/S3.04 FOR ADD'L INFO. NOT NOTED



SECTION 15
SCALE: 1/2"=1'-0"



THE SEAL APPEARING ON THIS DOCUMENT WAS AUTHORIZED BY R. TRENT PERKINS, P.E. 04264

THIS DOCUMENT IS THE RENDERING OF A PROFESSIONAL SERVICE, THE ESSENCE OF WHICH IS THE PROVIDING OF ADVICE, JUDGEMENT, OPINION, OR SIMILAR PROFESSIONAL SKILL.



PARKIN - PERKINS - OLSEN CONSULTING ENGINEERING, INC.
9330 LBJ Freeway Suite 1055
Dallas, Texas 75243
Tel 214.221.2252 Fax 214.221.2252
Project No. 39155
Registration No. P-1479

REVISIONS

KELLER SPRINGS LOFTS
LOFT APARTMENTS IN ADDISON, TEXAS

CONSTRUCTION ISSUE
10-17-2011

BGO architects

4144 N. Central Expy., Suite 855
Dallas, TX 75204
214.520.8878
bgoarchitects.com

DATE

08-05-2011

PROJECT

11129

SHEET NUMBER

S3.04