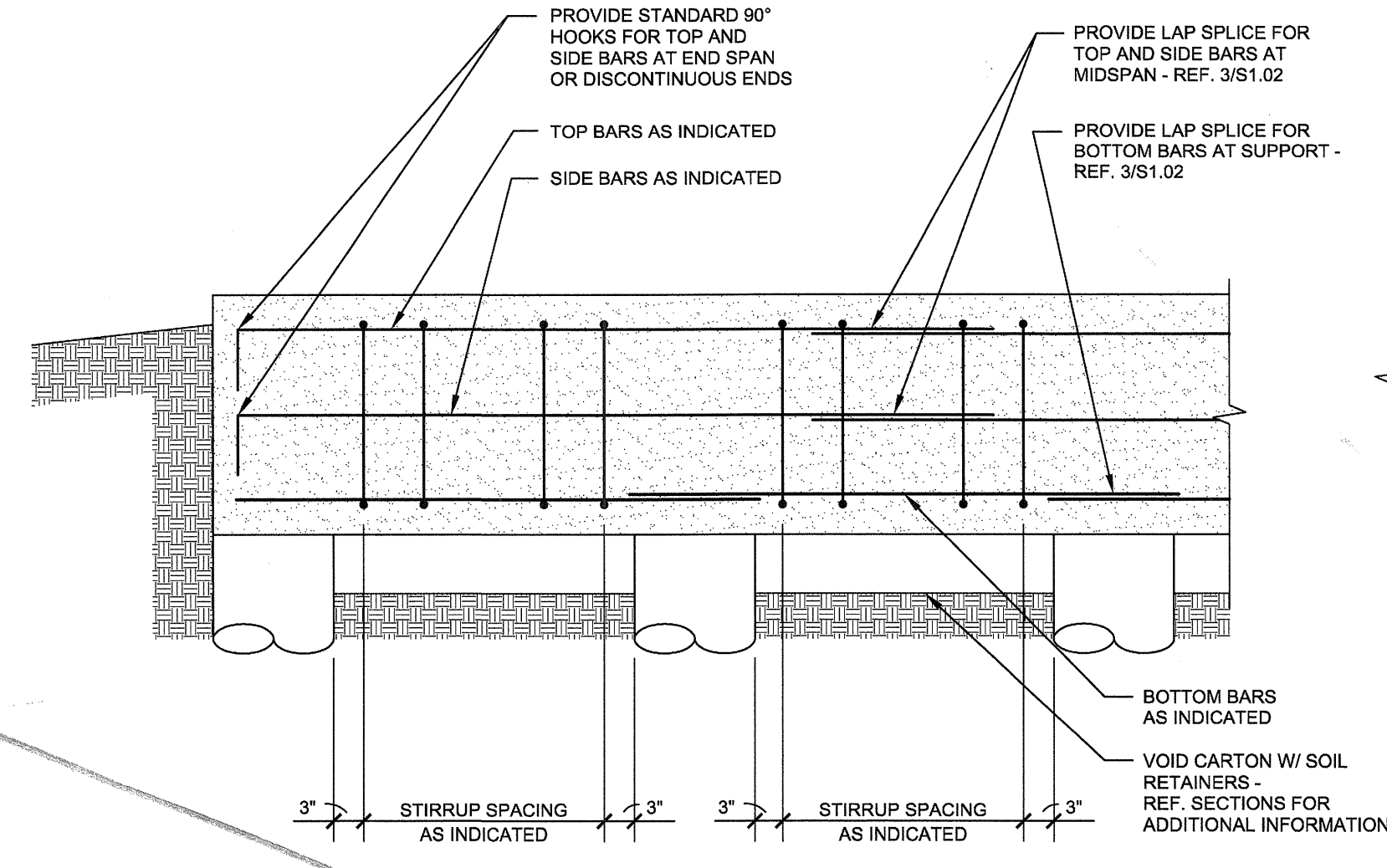
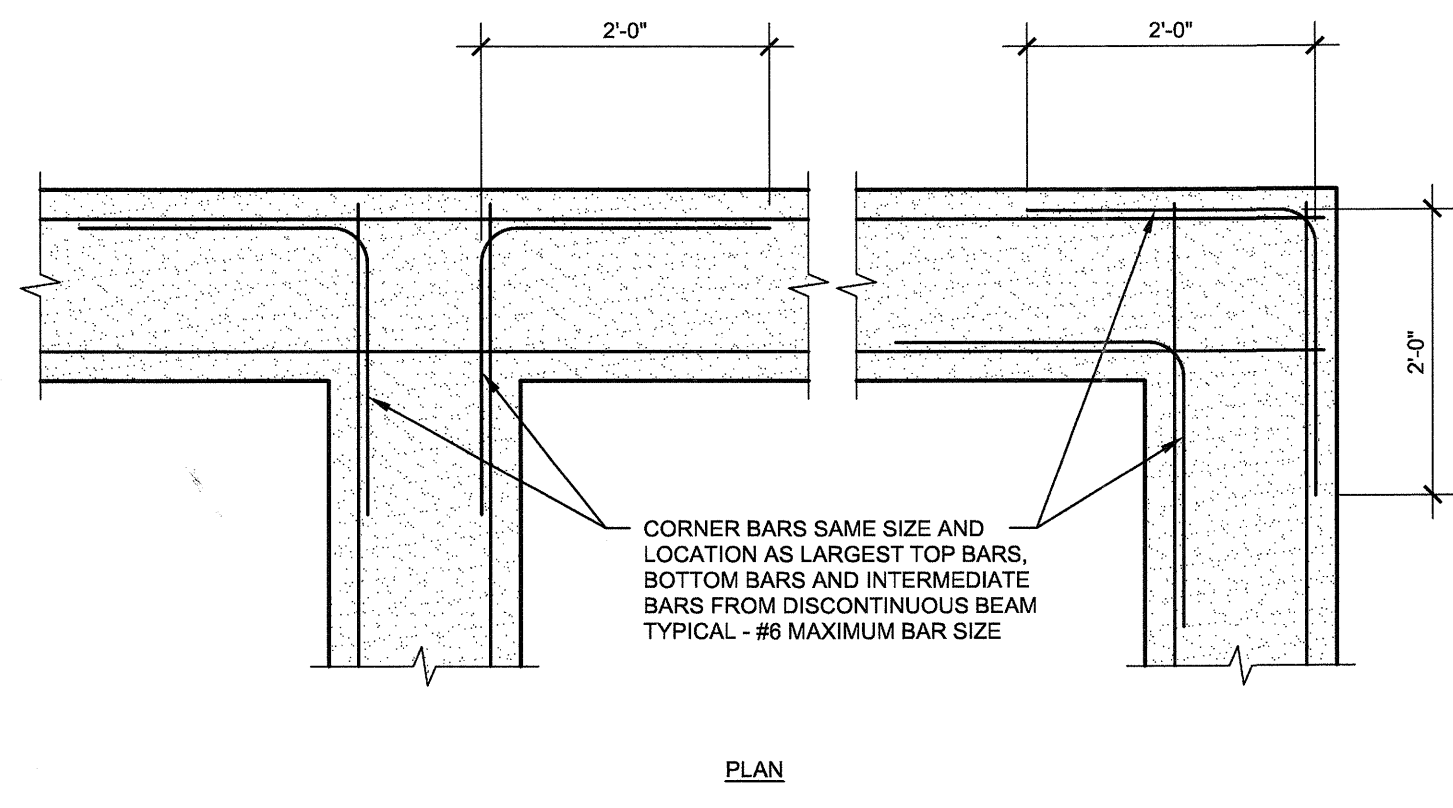


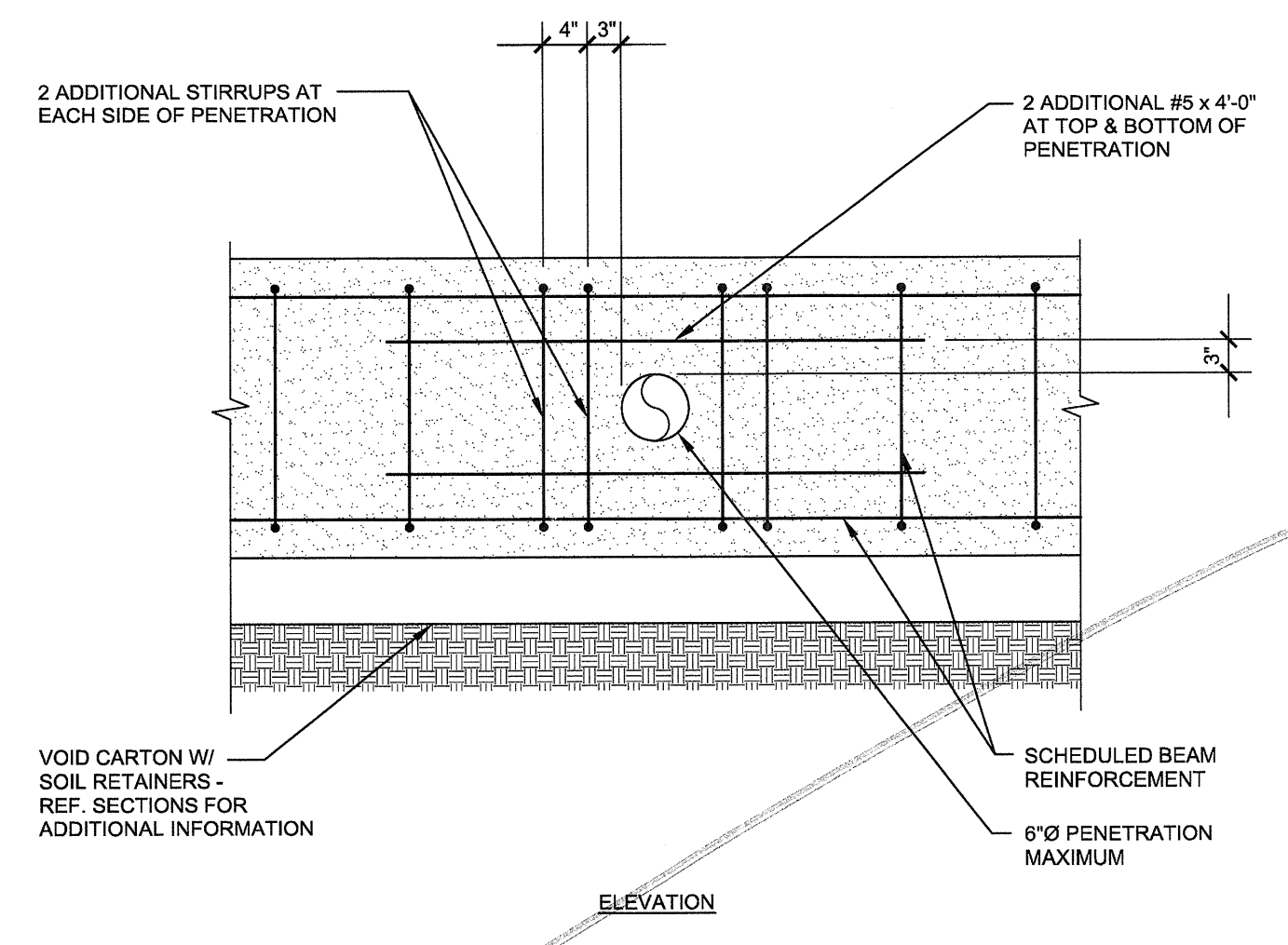
1 TYPICAL DRILLED PIER DETAIL
S3.01 NO SCALE



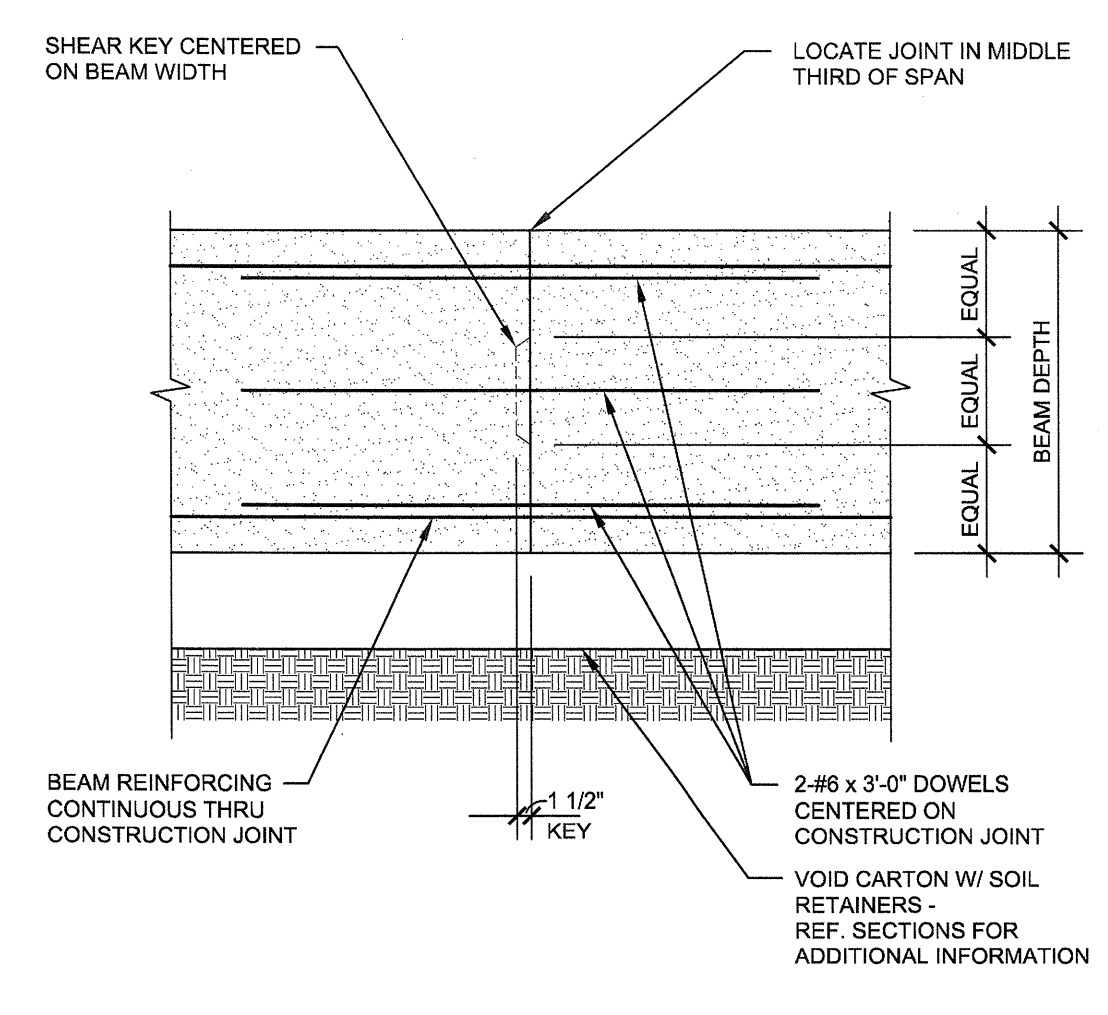
2 TYPICAL UNSCHEDULED CONCRETE BEAM REINFORCEMENT DETAIL
S3.02 NO SCALE



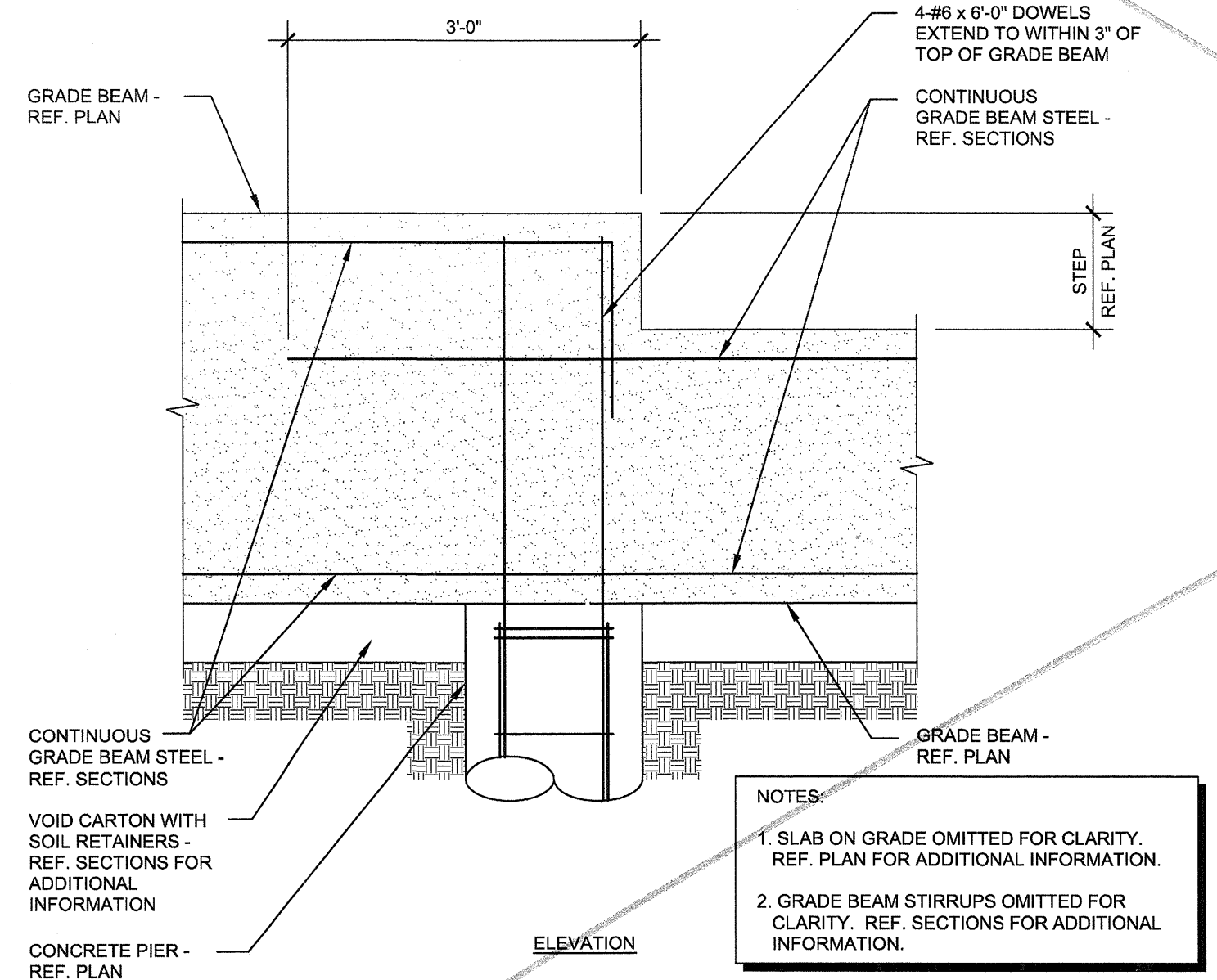
3 TYPICAL CORNER BARS AT CONCRETE WALL, BEAM AND FOOTING INTERSECTION DETAIL
S3.03 NO SCALE



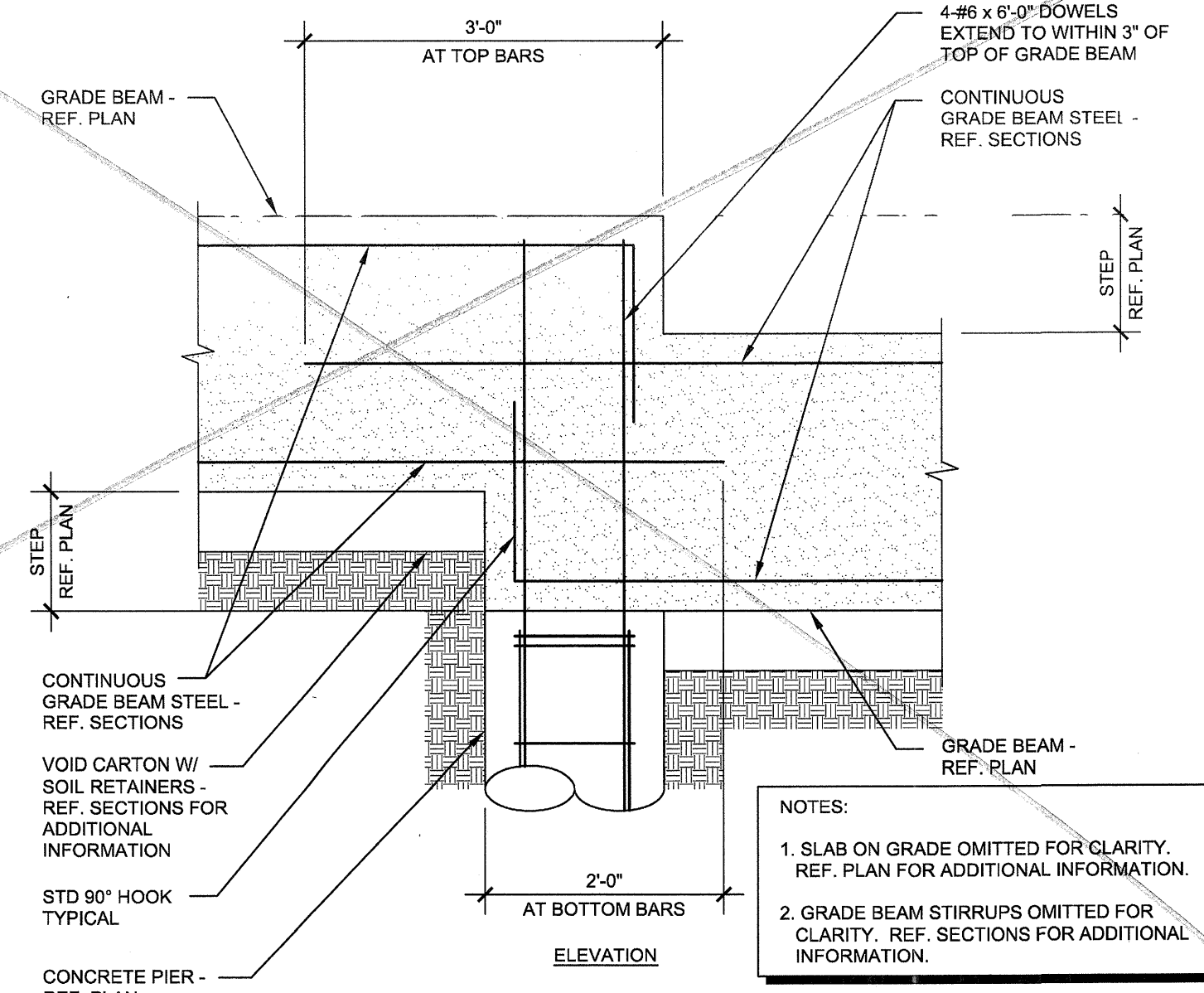
4 TYPICAL GRADE BEAM PENETRATION DETAIL
S3.04 NO SCALE



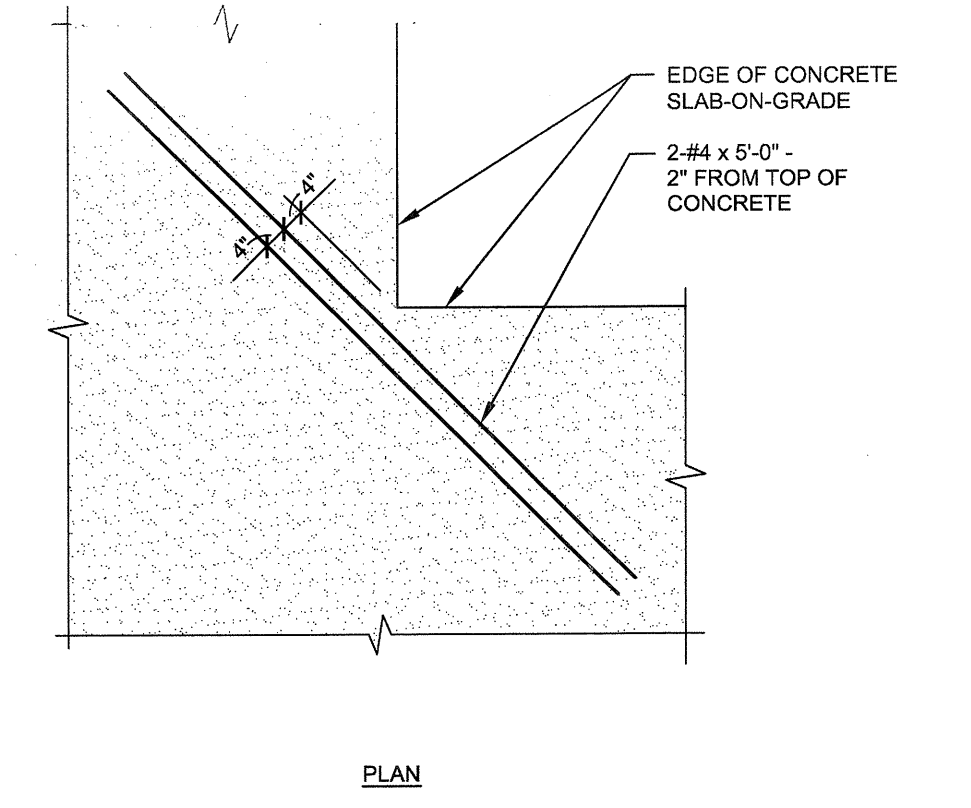
5 TYPICAL GRADE BEAM CONSTRUCTION JOINT DETAIL
S3.05 NO SCALE



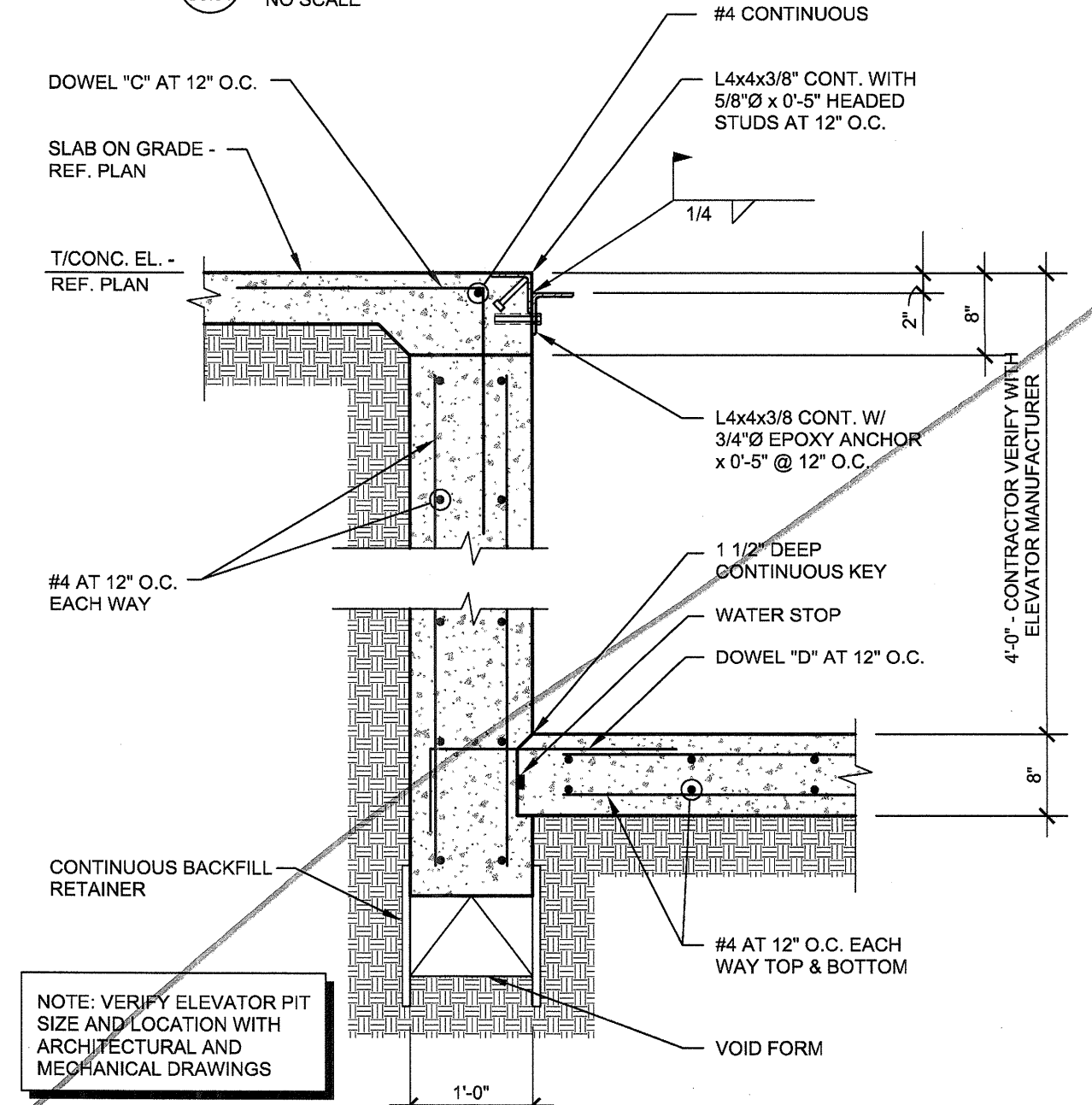
6 TYPICAL STEP IN GRADE BEAM DETAIL
S3.06 NO SCALE



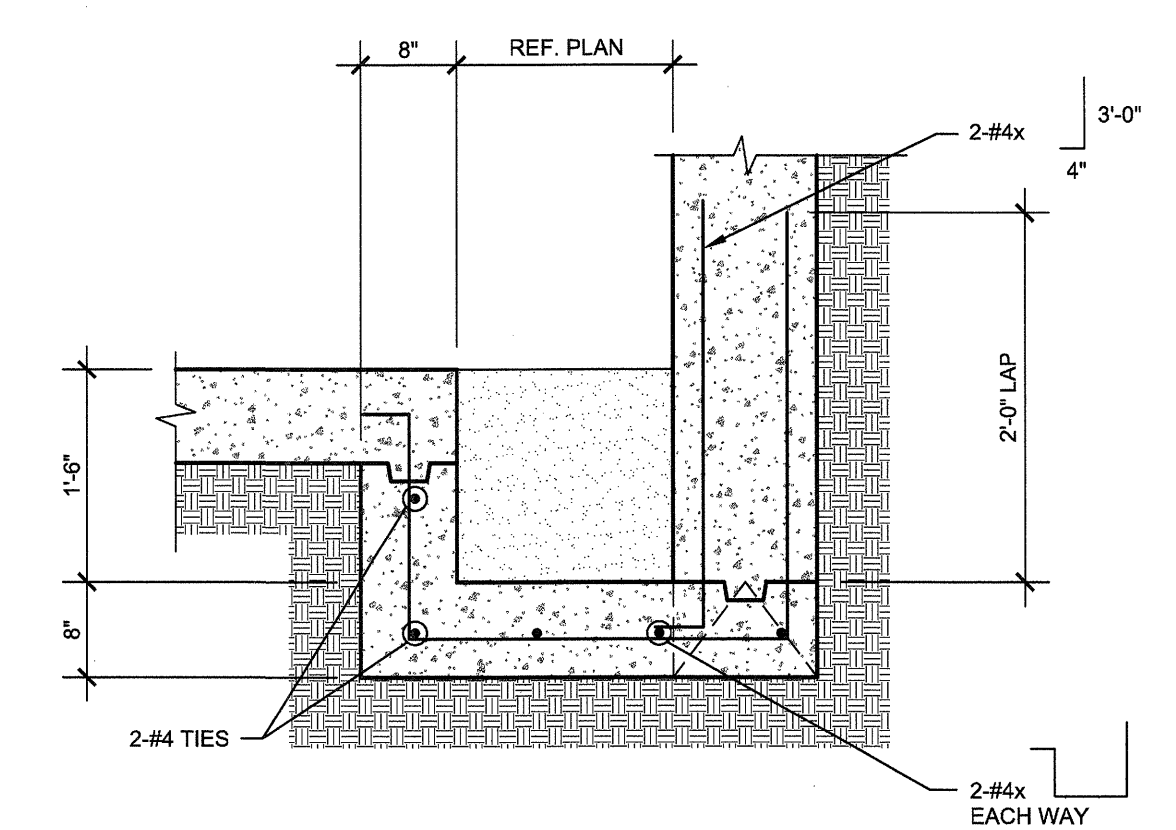
7 TYPICAL STEP IN GRADE BEAM DETAIL
S3.07 NO SCALE



8 TYPICAL RE-ENTRANT SLAB CORNER REINFORCING DETAIL
S3.08 NO SCALE



9 TYPICAL ELEVATOR PIT WALL SECTION
S3.09 NO SCALE



10 TYPICAL ELEVATOR SUMP PIT DETAIL
S3.10 NO SCALE

REVISIONS	
△	SLAB ON VOID FOUNDATION 11/18/2011

KELLER SPRINGS LOFTS
 LOFT APARTMENTS IN ADDISON, TEXAS

CONSTRUCTION ISSUE
 10-17-2011

BGO architects
 4144 N. Central Expy., Suite 805
 Dallas, TX 75204
 214.520.8878
 bgoarchitects.com

DATE
 08-05-2011
 PROJECT
 11129
 SHEET NUMBER

S3.01

THE SEAL APPEARING ON THIS DOCUMENT WAS AUTHORIZED BY
R. TRENT PERKINS, P.E. 84264
 THIS DOCUMENT IS THE RENDERING OF A PROFESSIONAL SERVICE, THE ESSENCE OF WHICH IS THE PROVIDING OF ADVICE, JUDGEMENT, OPINION, OR SIMILAR PROFESSIONAL SKILL.

PRO
PARKIN - PERKINS - OLSEN
 CONSULTING ENGINEERING, INC.
 9330 LBJ Freeway Suite 1055
 Dallas, Texas 75243
 Tel 214.221.2220 Fax 214.221.2252
 Project No. 39155
 Registration No. F-1479