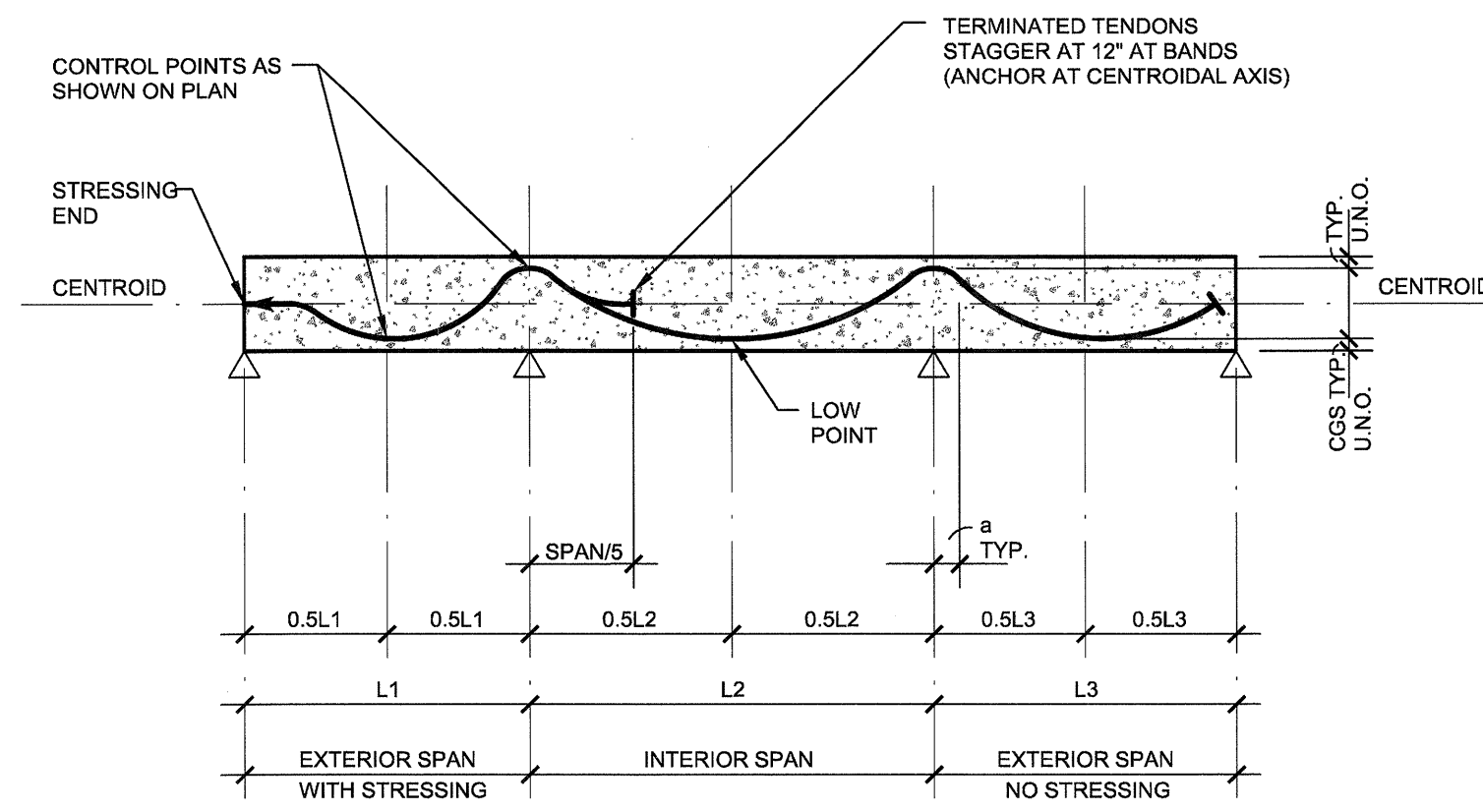
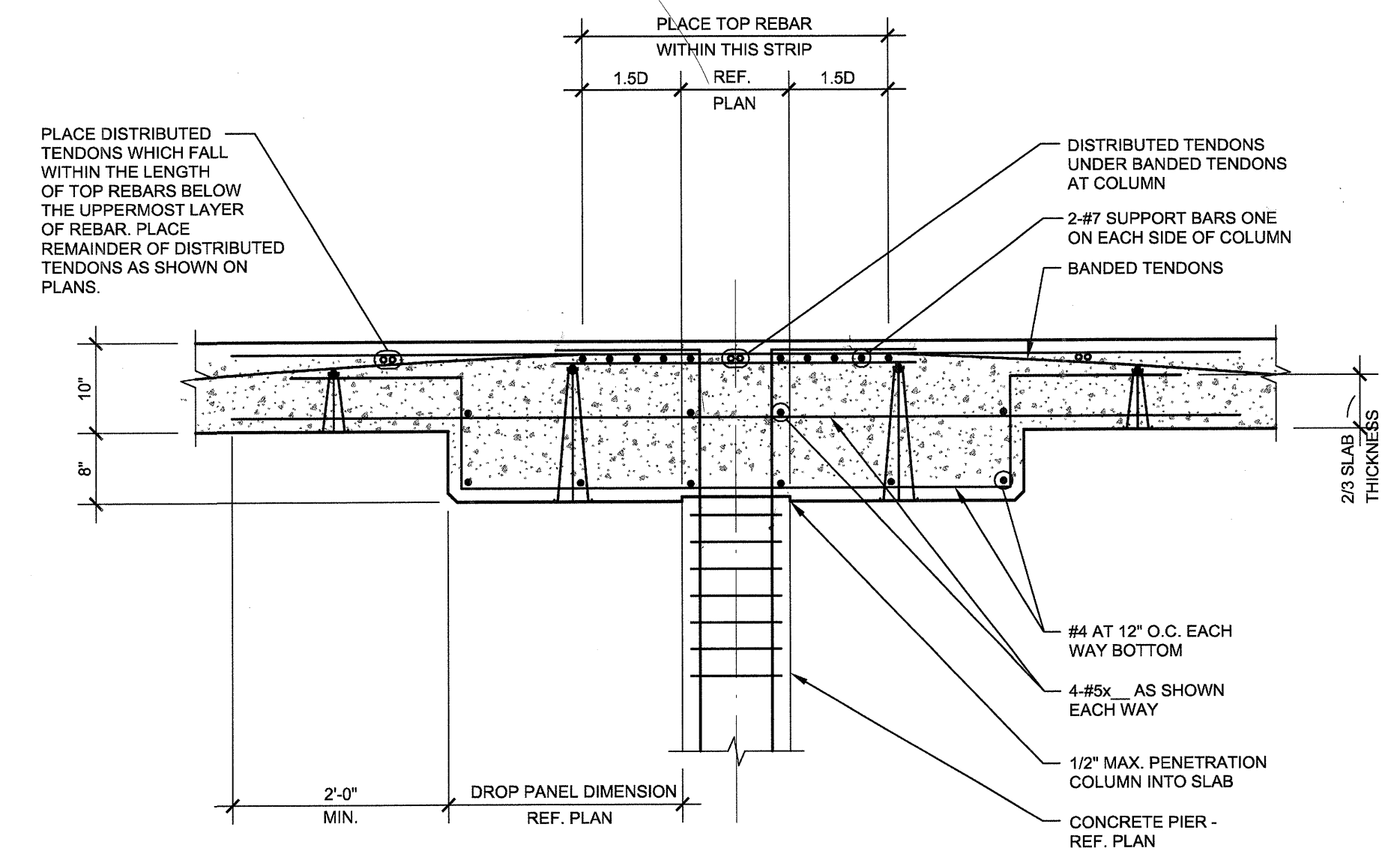


1
SS.02
PROFILE FOR BANDED SLAB TENDONS
 NO SCALE

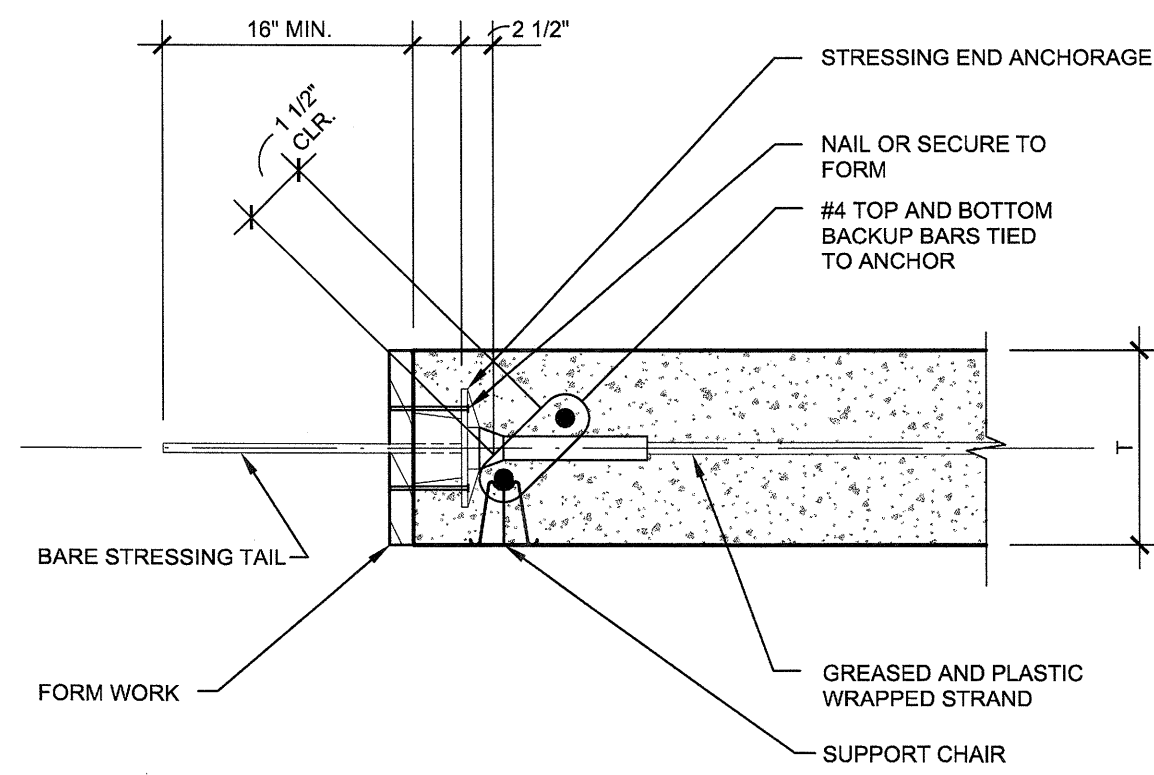


2
SS.02
PROFILE FOR DISTRIBUTED SLAB TENDONS
 NO SCALE

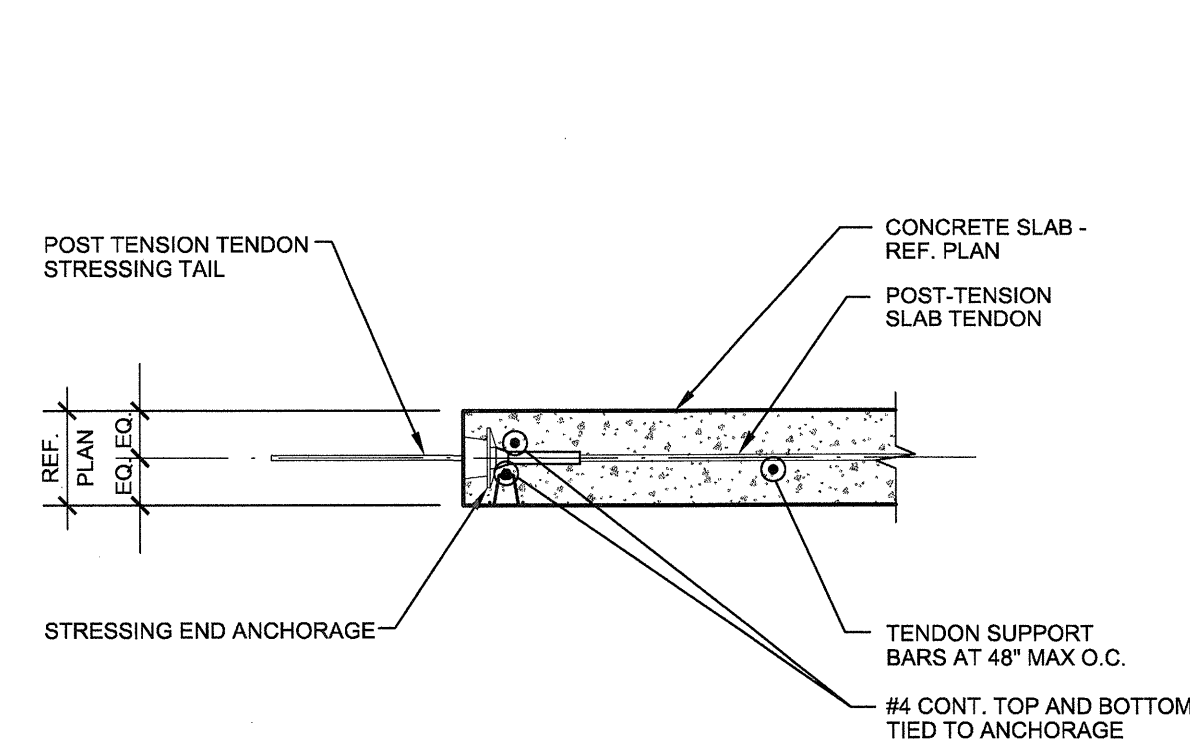


3
SS.02
TYPICAL DROP PANEL DETAIL
 NO SCALE

RFI 46

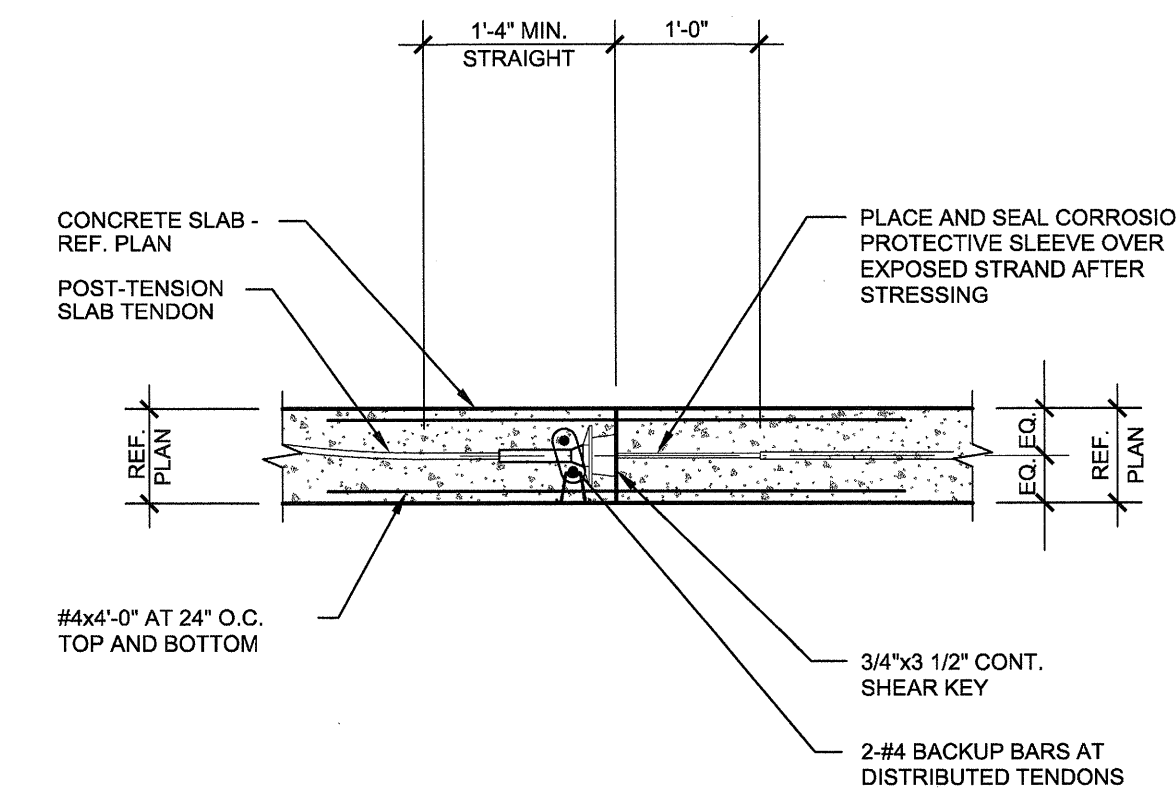


4
SS.02
STRESSING END ANCHOR DEVICE FOR DISTRIBUTED TENDONS
 NO SCALE



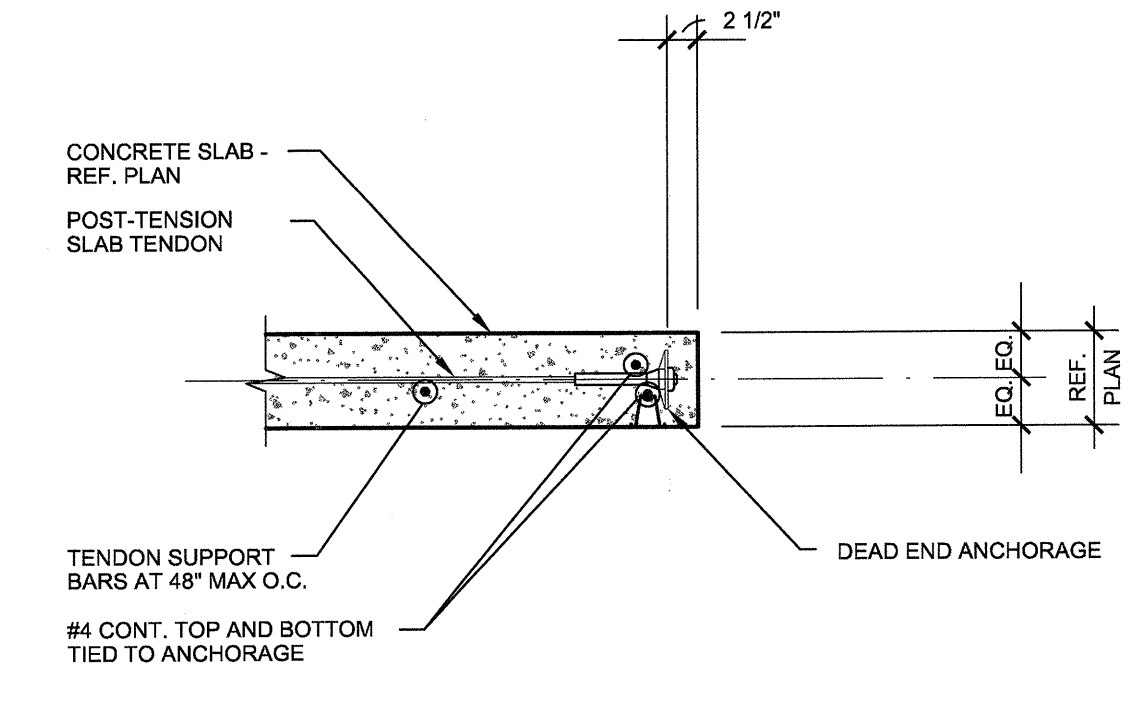
NOTE: REF. 4/S3.02 FOR ADD'L INFO. NOT NOTED

5
SS.02
STRESSING END ANCHOR DEVICE AT DISTRIBUTED TENDONS
 NO SCALE



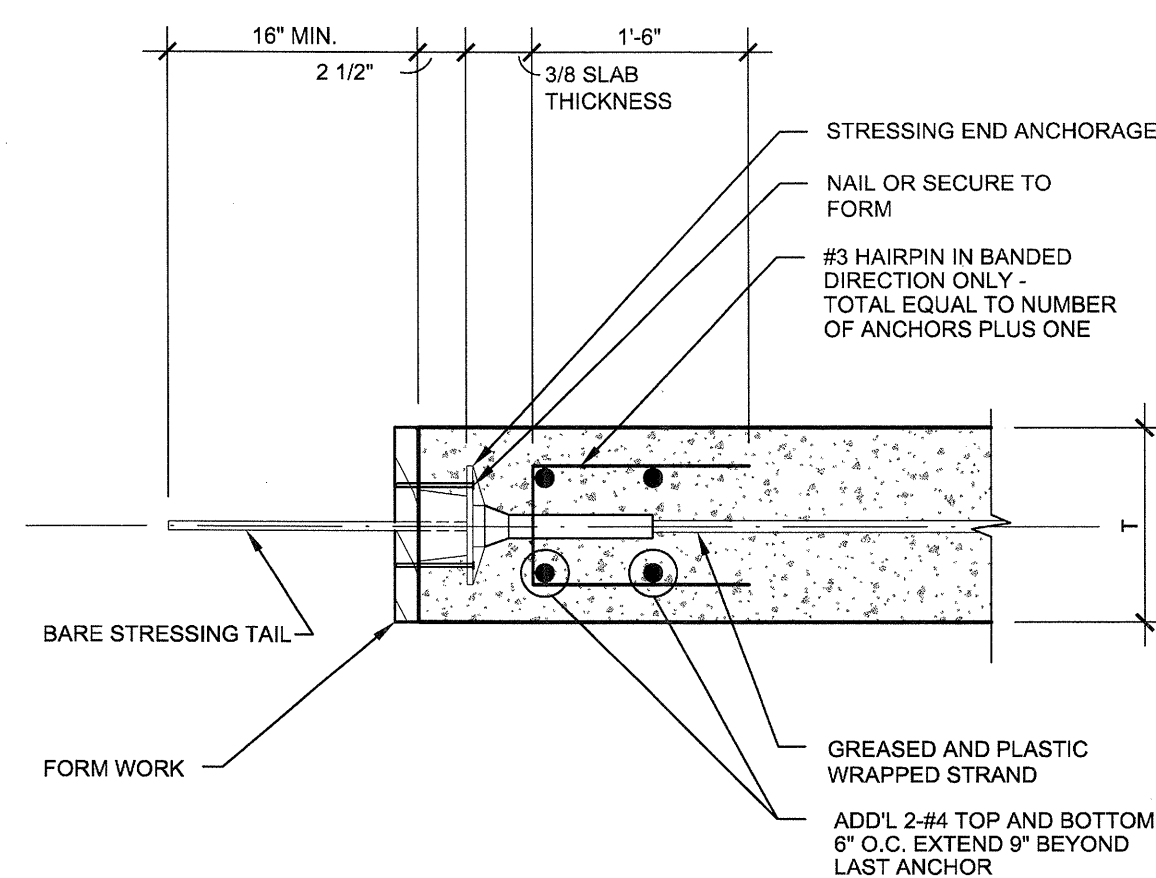
NOTE: REF. 5/S3.02 FOR ADD'L INFO. NOT NOTED

6
SS.02
CONSTRUCTION JOINT WITH INTERMEDIATE STRESSING SECTION
 NO SCALE

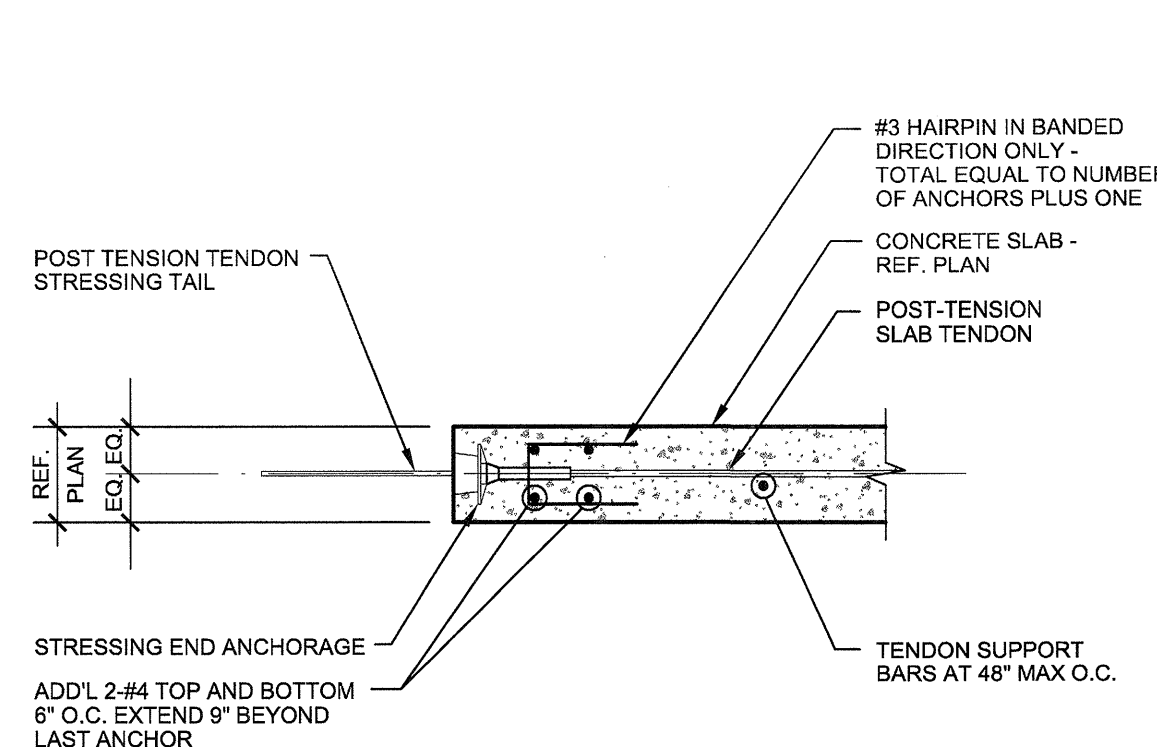


NOTE: REF. 4/S3.02 FOR ADD'L INFO. NOT NOTED

7
SS.02
DEAD END ANCHOR DEVICE AT DISTRIBUTED TENDONS
 NO SCALE

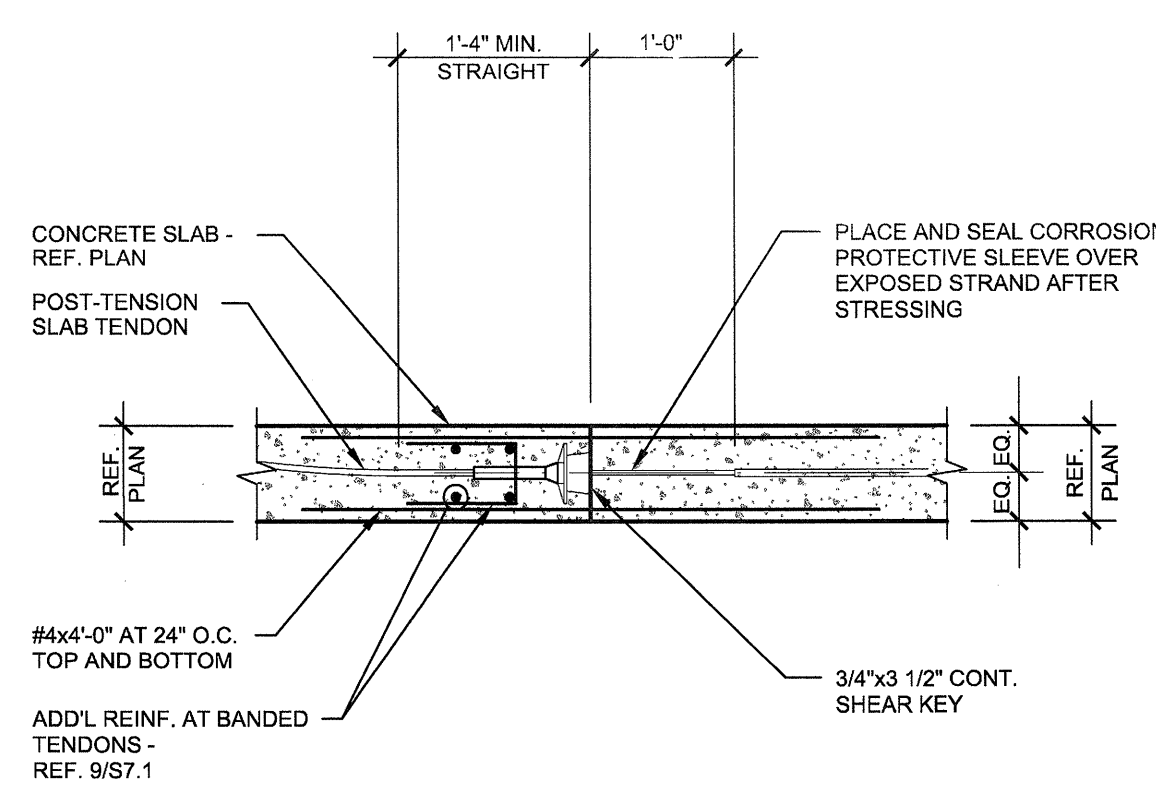


8
SS.02
STRESSING END ANCHOR DEVICE FOR BANDED TENDONS
 NO SCALE



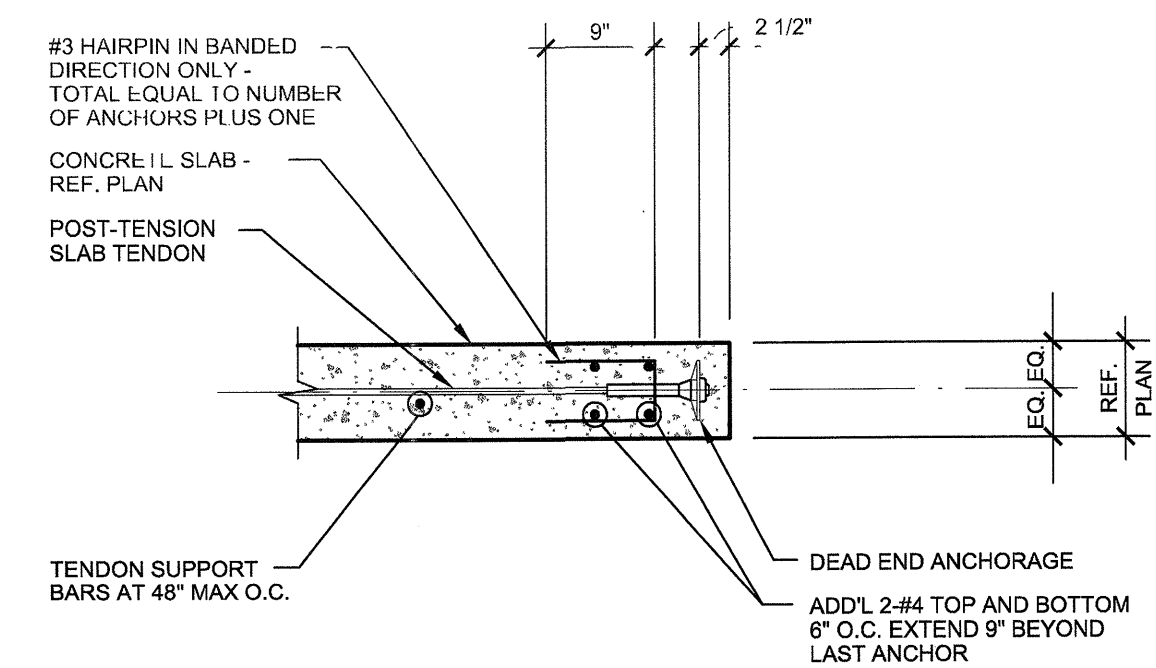
NOTE: REF. 8/S3.02 FOR ADD'L INFO. NOT NOTED

9
SS.02
STRESSING END ANCHOR DEVICE AT BANDED TENDONS
 NO SCALE



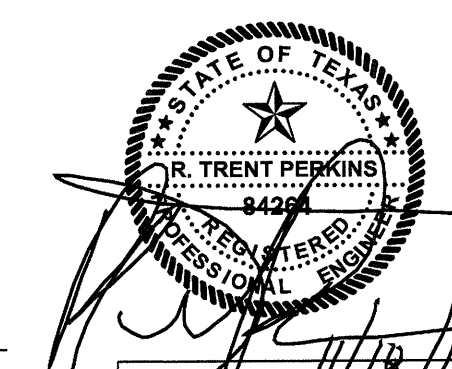
NOTE: REF. 8/S3.02 FOR ADD'L INFO. NOT NOTED

10
SS.02
CONSTRUCTION JOINT WITH INTERMEDIATE STRESSING SECTION
 NO SCALE



NOTE: REF. 8/S3.02 FOR ADD'L INFO. NOT NOTED

11
SS.02
DEAD END ANCHOR DEVICE AT BANDED TENDONS
 NO SCALE



THE SEAL APPEARING ON THIS DOCUMENT WAS AUTHORIZED BY R. TRENT PERKINS, P.E. 84264

THIS DOCUMENT IS THE RENDERING OF A PROFESSIONAL SERVICE, THE ESSENCE OF WHICH IS THE PROVIDING OF ADVICE, JUDGEMENT, OPINION, OR SIMILAR PROFESSIONAL SKILL.

PRO
 PARKIN - PERKINS - OLSEN
 CONSULTING ENGINEERING, INC.
 9330 LBJ Freeway Suite 1055
 Dallas, Texas 75243
 Tel 214.221.2220 Fax 214.221.2252
 Project No. 39155
 Registration No. F-1479

REVISIONS	
△	SLAB ON VOID FOUNDATION 11/18/2011

KELLER SPRINGS LOFTS
 LOFT APARTMENTS IN ADDISON, TEXAS

CONSTRUCTION ISSUE
 10-17-2011

BGO
 architects
 4144 N. Central Expy., Suite 853
 Dallas, TX 75204
 214.520.9878
 bgoarchitects.com

DATE
 08-05-2011

PROJECT
 11129

SHEET NUMBER

S3.02