

HANGER SPACING CHART

PIPE SIZE (IN)	3/4	1	1-1/4	1-1/2	2	2-1/2	3	4	6
STEEL PIPE	N/A	12-0	12-0	15-0	15-0	15-0	15-0	15-0	15-0
THREADED LIGHT WALL	N/A	12-0	12-0	12-0	12-0	12-0	N/A	N/A	N/A
COPPER	8-0	8-0	10-0	10-0	12-0	12-0	12-6	15-0	15-0
CPVC	5-6	6-0	6-6	7-0	8-0	9-0	10-0	N/A	N/A

FIGURE A.9.2.3.4 DISTANCE FROM SPRINKLER TO HANGER

NOTE: WHERE PRESSURES EXCEED 100 PSI THE UNBARRICADED LENGTH BETWEEN THE END SPRINKLER IN A FEMORY ROOM OR STAIR WELLS AND THE LAST HANGER ON THE BRANCH LINE SHALL NOT BE GREATER THAN 12 FEET FOR STEEL PIPE.

PIPE SIZE	DIAM. OF ROD	PIPE SIZE	DIAM. OF ROD
UP TO AND INCLUDING 4"	3/8"	6 AND 8	1/2"

COURTYARD

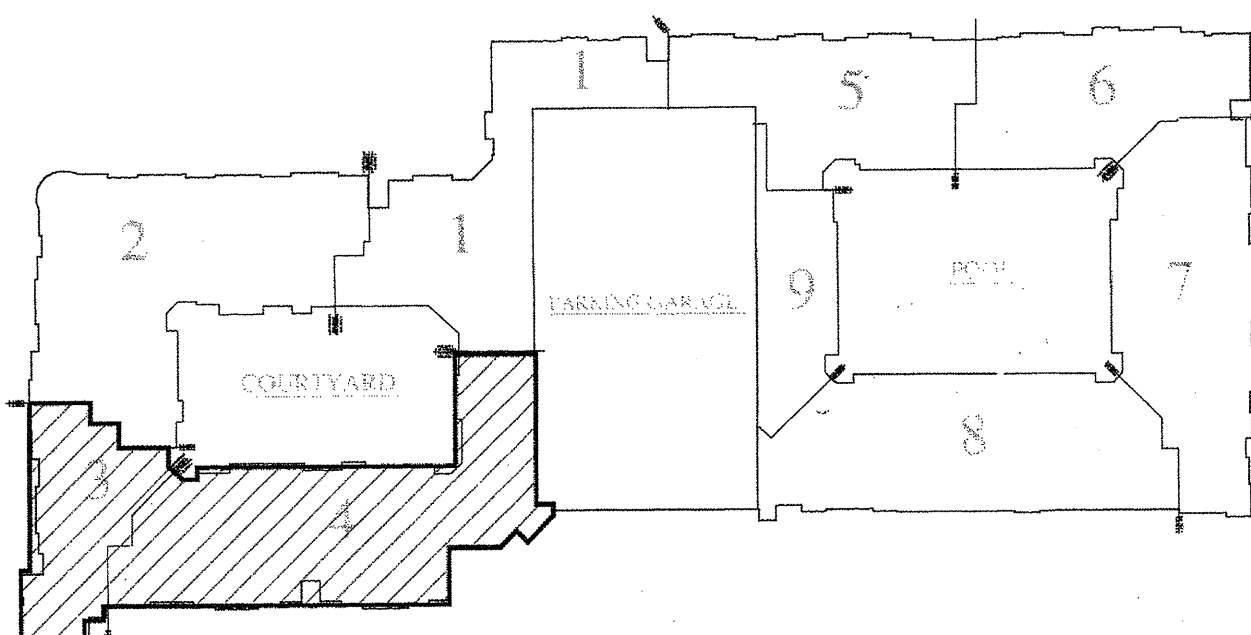
INSTALLATION PLAN

Scale 1/8" = 1'-0"



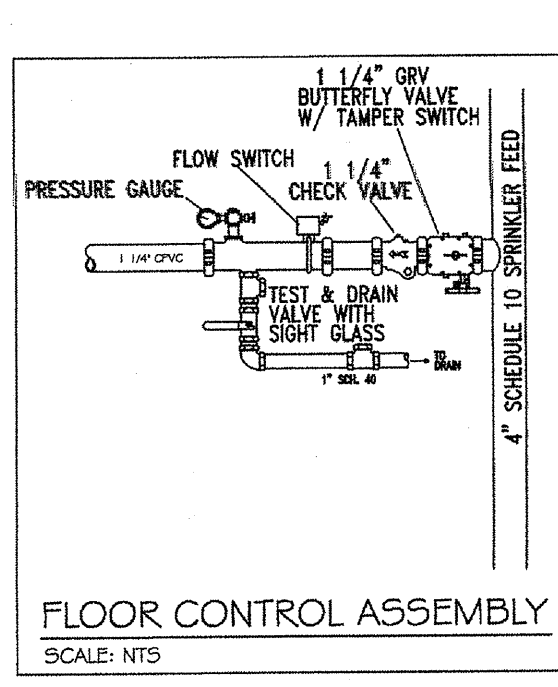
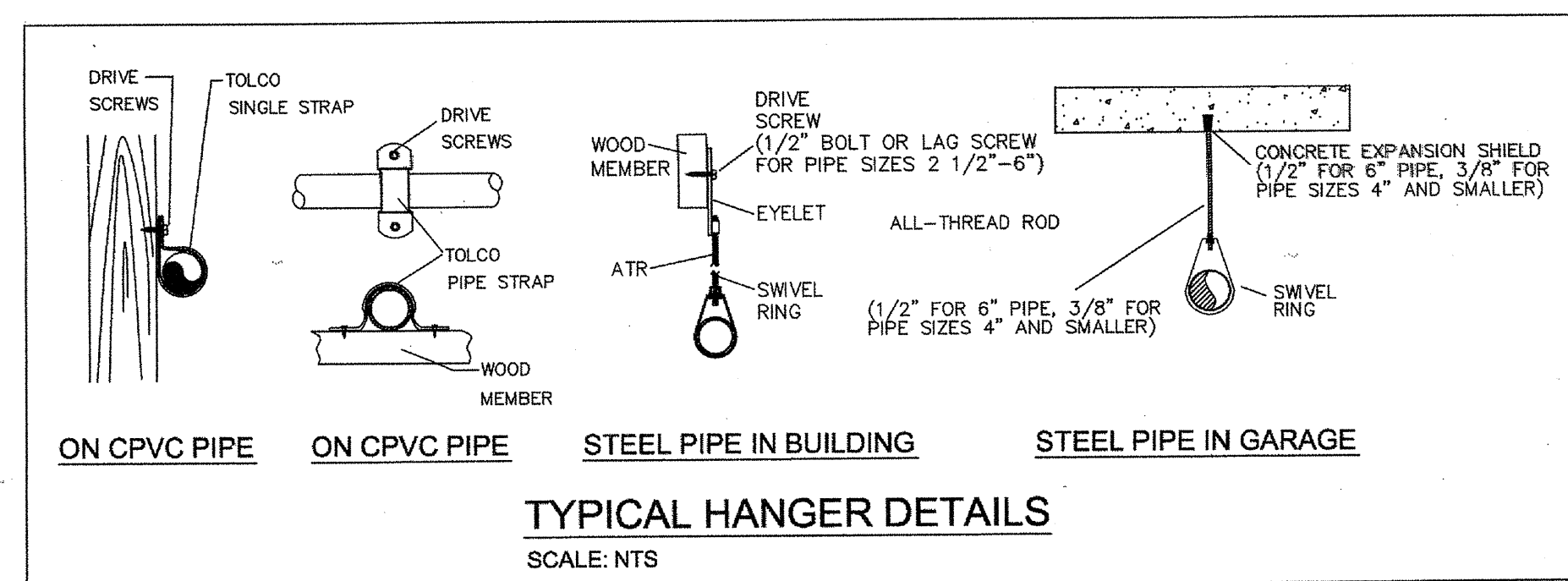
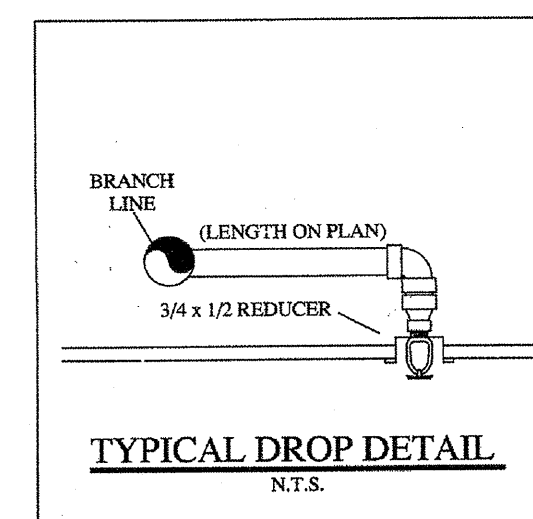
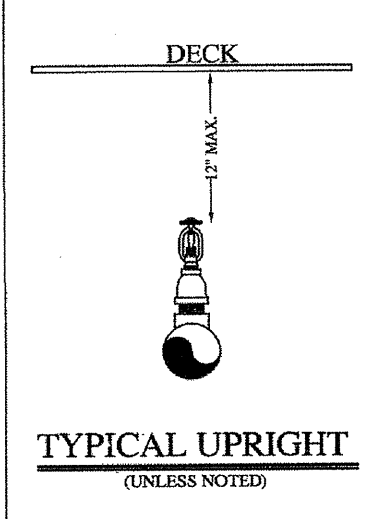
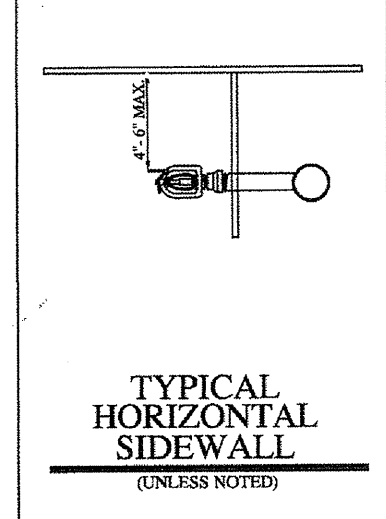
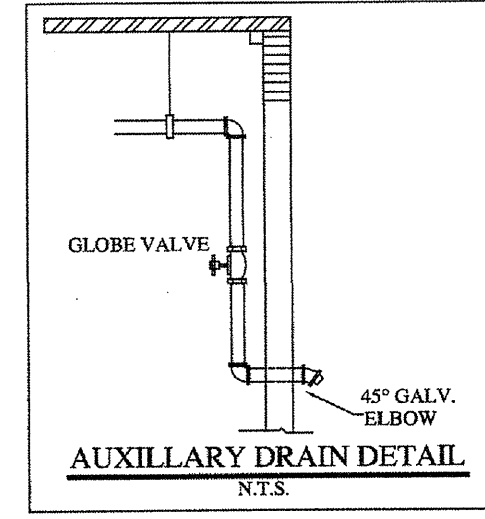
3rd FLOOR

SCALE 1/8" = 1'-0"



KEY MAP
N.T.S.

PIPE SIZE	SLEEVE DIA.
1"	2"
1-1/4"	2"
1-1/2"	2-1/2"
2"	3"
2-1/2"	4"
3"	5"
4"	6"
6"	8"
8"	10"



GENERAL NOTES:

- Ranger Fire's work shall consist of all necessary labor and material to design and install new automatic fire sprinkler systems in the referenced (B) Apartment Buildings and attached Parking Garage.
- Ranger Fire excludes all electrical and ceiling work.
- All design and installation shall conform to NFPA 13, 13R, 14, 20, and the City of Addison requirements.
- All material to be UL/FM approved for fire services.
- All new plastic piping shall be Schedule 40 CPVC with CPVC plastic fittings (u.o.n.). All steel piping shall be Black Sch. 10 with grooved fittings for the mains and Black Sch. 40 with threaded fittings for the branchlines.
- Owner or tenant is responsible for maintaining adequate heat to prevent the system from freezing (Min. 40 degrees F.).
- Sprinkler equipment room and equipment components shall be properly identified.
- Install signage on sprinkler equipment room door stating "Sprinkler Valve Room" in at least 4 inches in height.
- All hangers shall be in accordance with NFPA 13 requirements.
- All systems shall be tested at 200 psi for 2 hours and witnessed by a representative of the Addison Fire Department. Any leaks shall be repaired.
- The system has been hydraulically calculated per NFPA 13, 13R, 14, & 20 requirements.
- Install Black steel piping in Parking Garage.

LEGEND:

- SYSTEM RISER
- 4" X 2 1/2" X 2 1/2" F.D.C.
- VERTICAL PIPE (UP or DN)
- HYDRAULIC NODE POINT
- REMOTE AREA OUTLINE
- 2 1/2" HOSE VALVE
- BUTTERFLY VALVE
- HANGERS (SIZE VARIES)
- CEILING ELEVATION
- PIPE ELEVATION

RESIDENTIAL BUILDING INFO

OCCUPANCY: R-2 / A-3
GROSS BLDG AREA: 424,139 S.F.
TYPE OF CONSTRUCTION: V-A

GARAGE BUILDING INFO

OCCUPANCY: S-2
GROSS BLDG AREA: 181,834 S.F.
TYPE OF CONSTRUCTION: 2-B

I have reviewed these plans and certify that they comply with the adopted NFPA standards.

Ranger Fire, Inc.
1000 South Main Street
Suite 150
Grapevine, Texas 76051
Phone: 817-410-9070
SCR-0590

RME SIGNATURE: *[Signature]*
PRINTED RME NAME: Matthew B. Claxton
RME NUMBER: 0778 DATE: 7-31-13
AS-BUILT SUBMITTAL OTHER

AS-BUILT

RANGER FIRE, INC.
920 SOUTH MAIN STREET
SUITE 150
GRAPEVINE, TEXAS 76051
PHONE: 817-410-9070
TEXAS LICENSE: 0590

CONTRACT NAME: KELLER SPRINGS LOFTS
CONTRACT # 11-055
DATE: 04-01-12
DWG # FP 11 OF 30

GENERAL CONTRACTOR: RANGER FIRE, INC.
1000 SHELTON AVE., SUITE 100
SAN ANTONIO, TX 78204
PHONE: 210-834-6044

OWNER: KELLER SPRINGS LOFTS
EMERY INVESTMENTS LTD.
EMERY INVESTMENTS LTD.
SAN ANTONIO, TX 78204
PHONE: 210-834-6044

DESIGNER: RANGER FIRE, INC.
1000 SHELTON AVE., SUITE 100
SAN ANTONIO, TX 78204
PHONE: 210-834-6044

DATE: 04-01-12

SCALE: 1/8" = 1'-0"

DRAWN BY: C. ALEXANDER

CHECKED BY: [Signature]

DATE: 04-01-12

SCALE: 1/8" = 1'-0"

DRAWN BY: C. ALEXANDER

CHECKED BY: [Signature]

DATE: 04-01-12

SCALE: 1/8" = 1'-0"

DRAWN BY: C. ALEXANDER

CHECKED BY: [Signature]

DATE: 04-01-12

SCALE: 1/8" = 1'-0"

DRAWN BY: C. ALEXANDER

CHECKED BY: [Signature]

DATE: 04-01-12

SCALE: 1/8" = 1'-0"

DRAWN BY: C. ALEXANDER

CHECKED BY: [Signature]

DATE: 04-01-12

SCALE: 1/8" = 1'-0"

DRAWN BY: C. ALEXANDER

CHECKED BY: [Signature]

DATE: 04-01-12

SCALE: 1/8" = 1'-0"

DRAWN BY: C. ALEXANDER

CHECKED BY: [Signature]

DATE: 04-01-12

SCALE: 1/8" = 1'-0"

DRAWN BY: C. ALEXANDER

CHECKED BY: [Signature]

DATE: 04-01-12