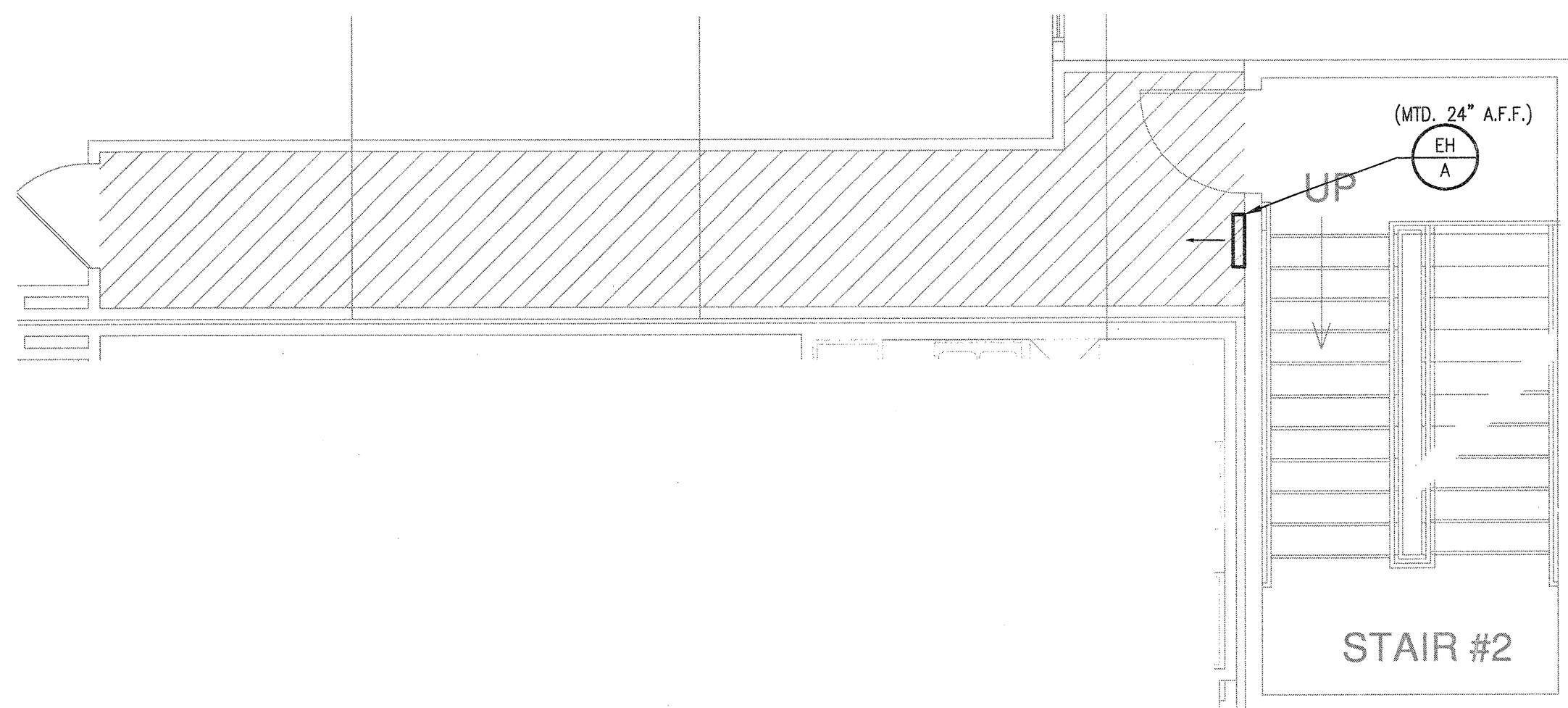
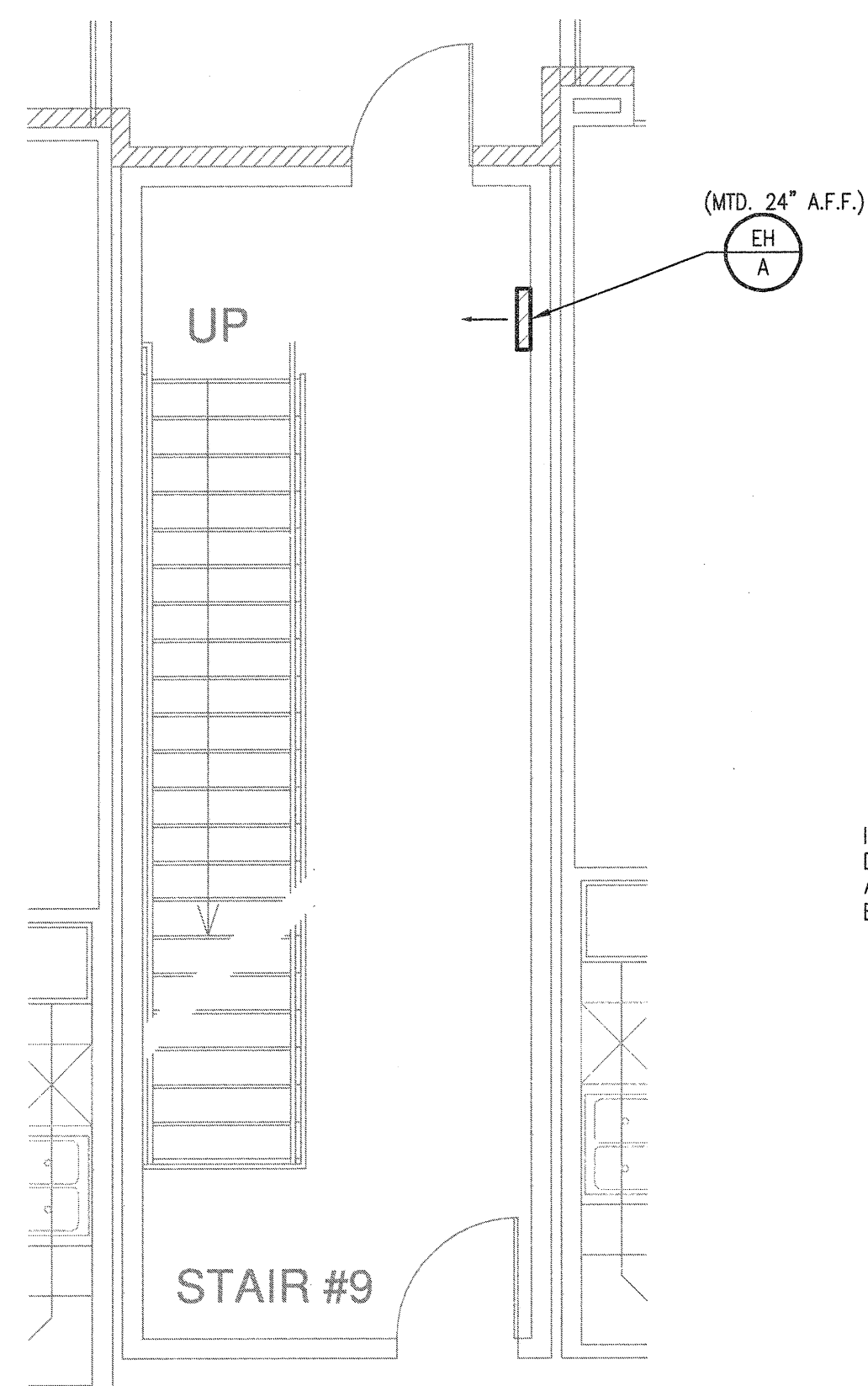
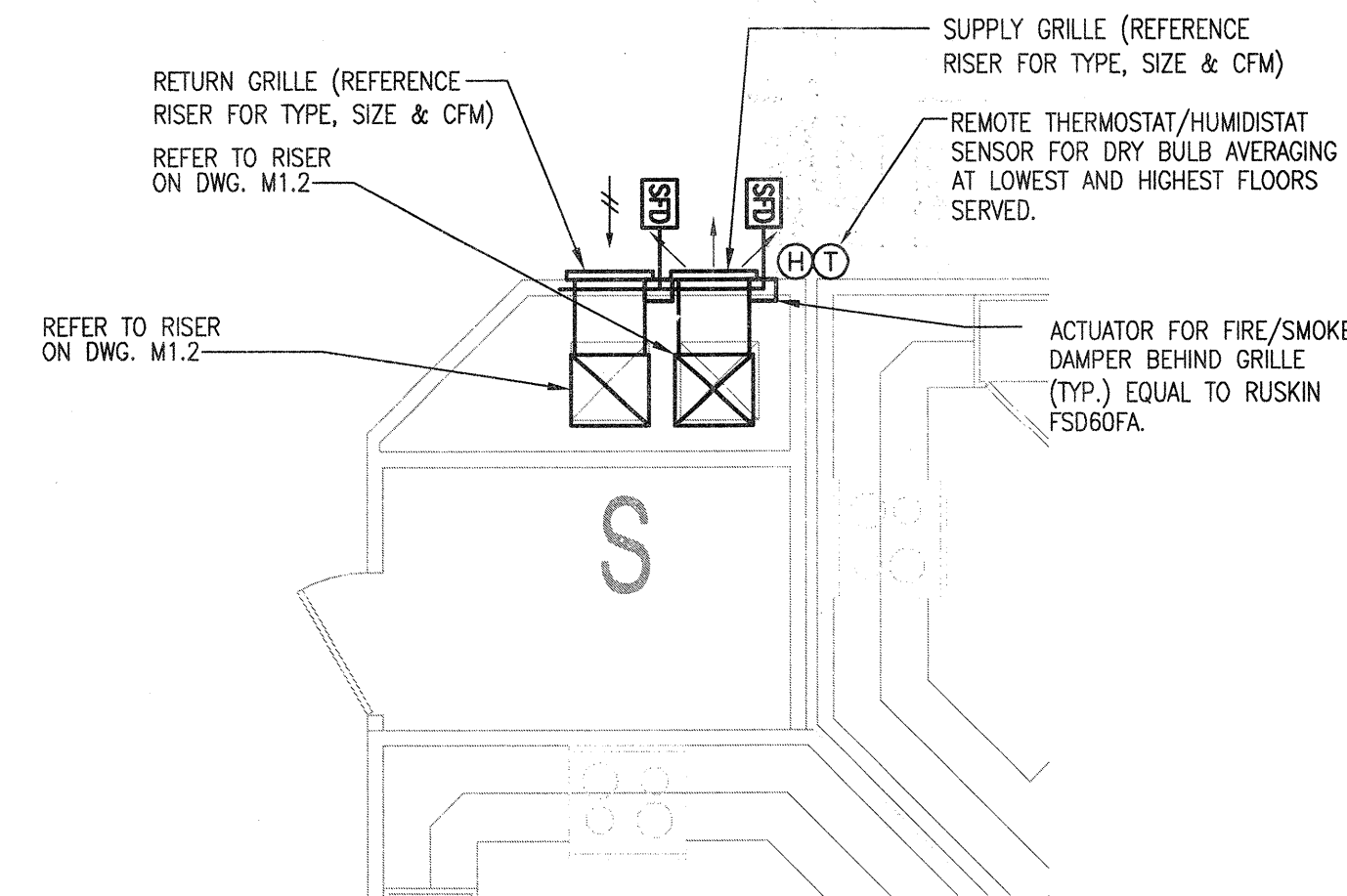


KEYNOTES: (APPLIES TO THIS SHEET ONLY)

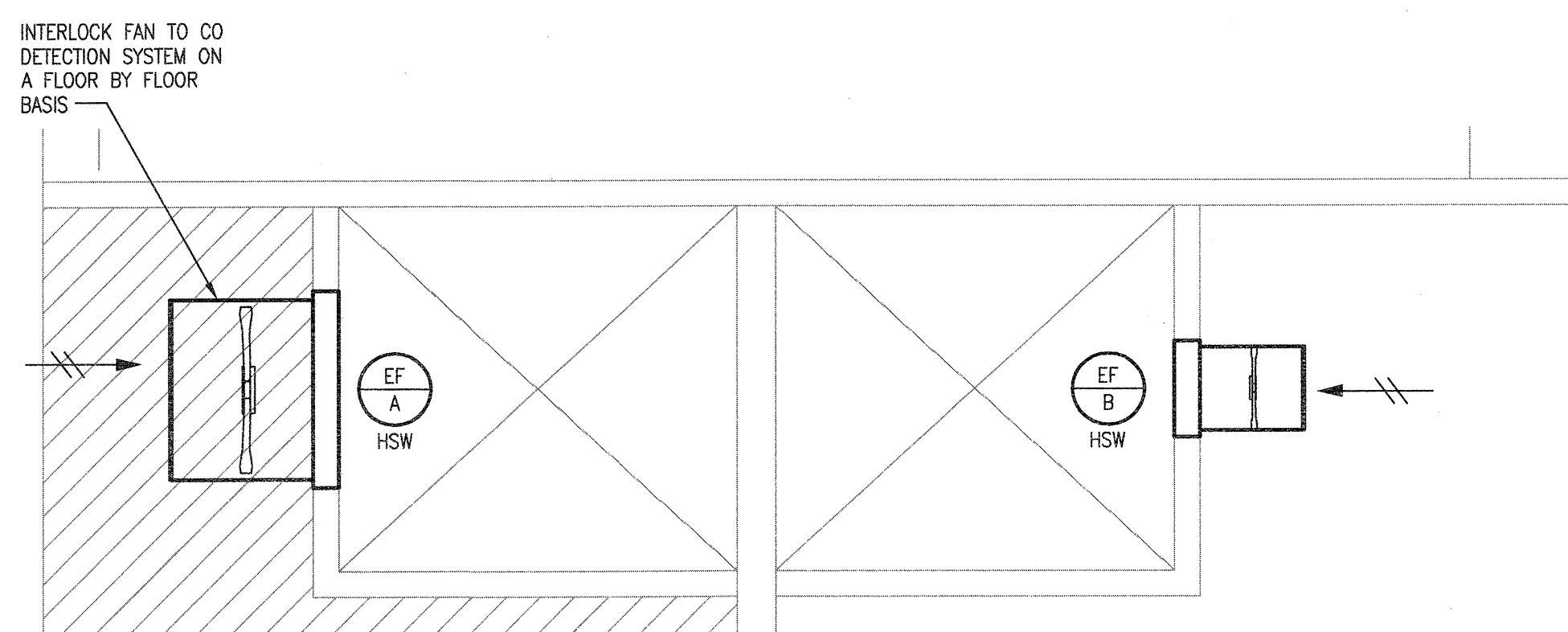
① ROUTE 1" CONDENSATE DRAIN TO HUB DRAIN.



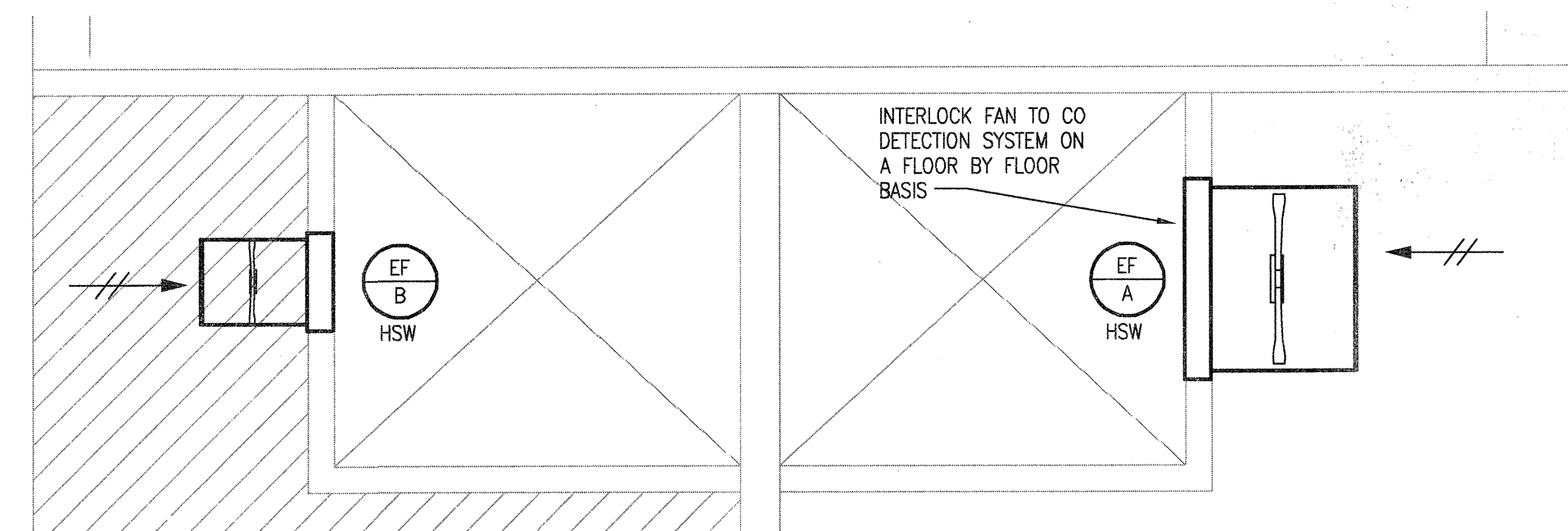
2 STAIRWELL—MECHANICAL
SCALE: 1/4" = 1'-0"



1 CORRIDOR PRESSURIZATION —MECHANICAL
SCALE: 1/4" = 1'-0"

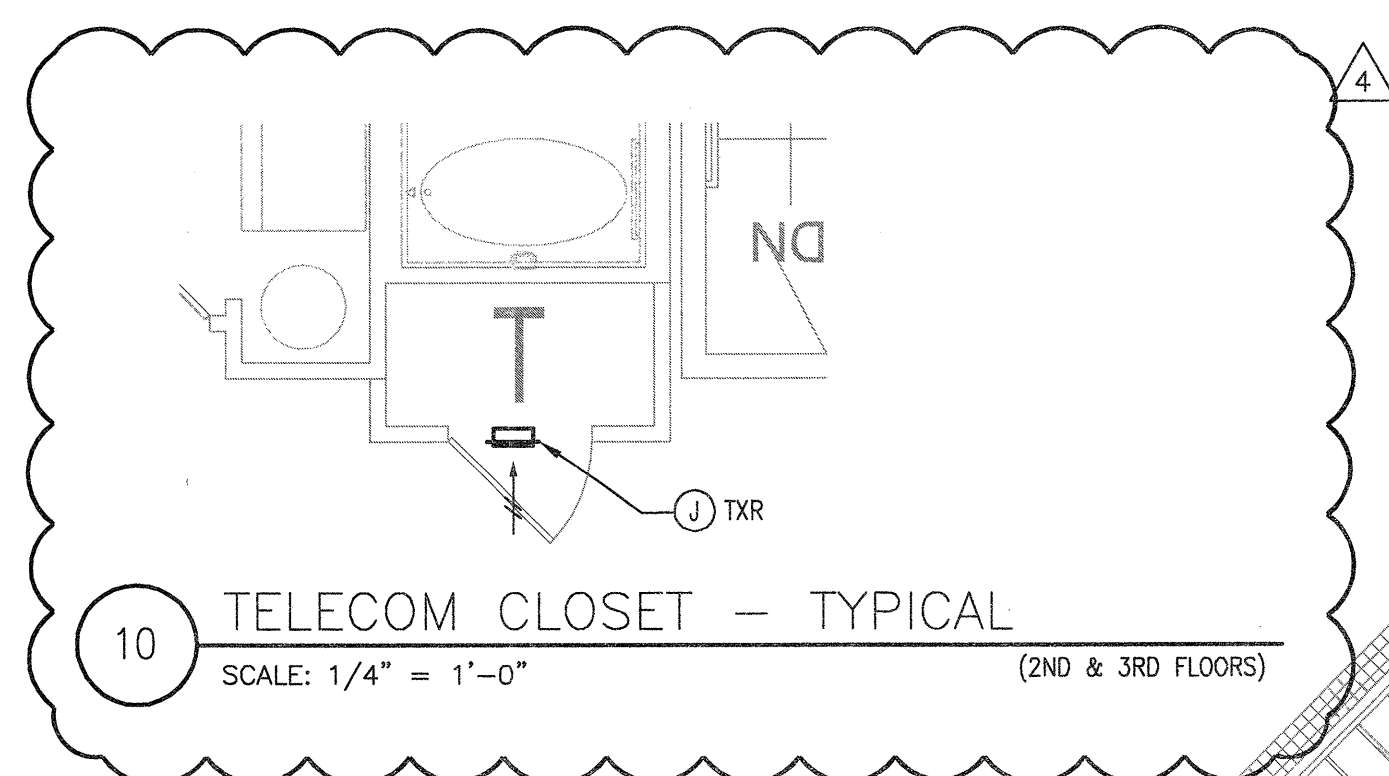


5 GARAGE VENTING—MECHANICAL
SCALE: 1/4" = 1'-0" 2nd, 4th, 6th FLOORS

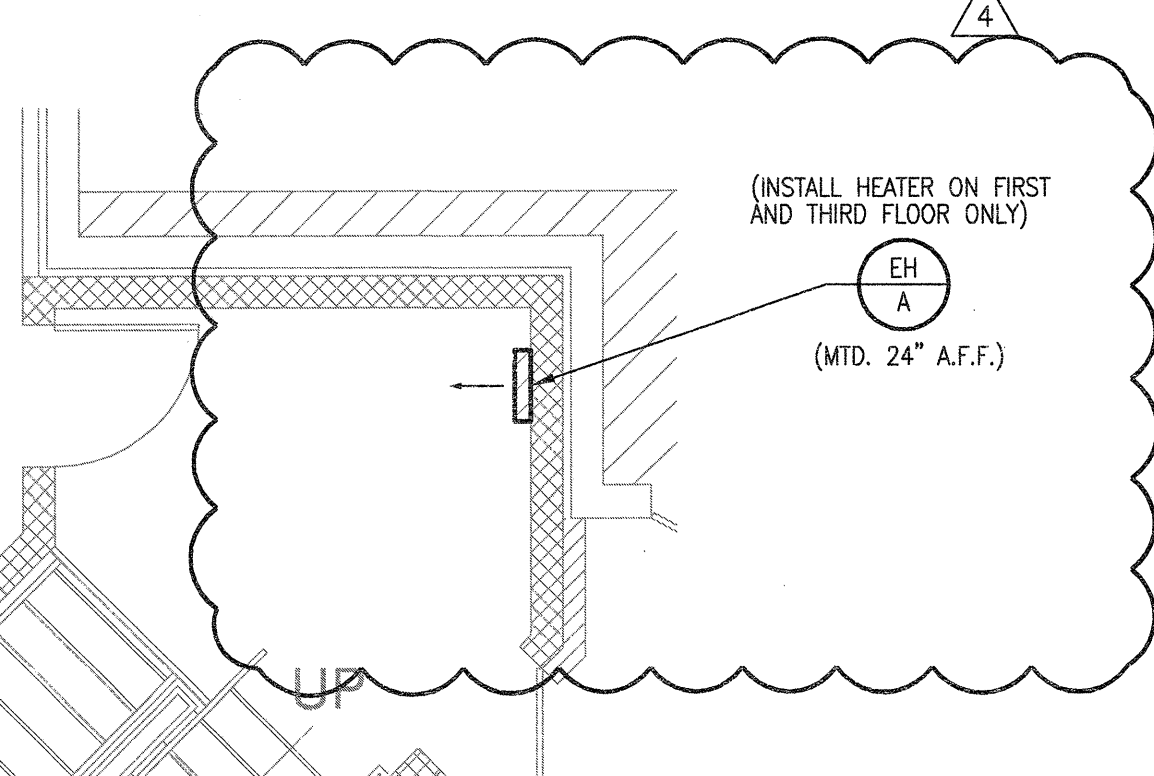


4 GARAGE VENTING—MECHANICAL
SCALE: 1/4" = 1'-0" 1st, 3rd, 5th FLOORS

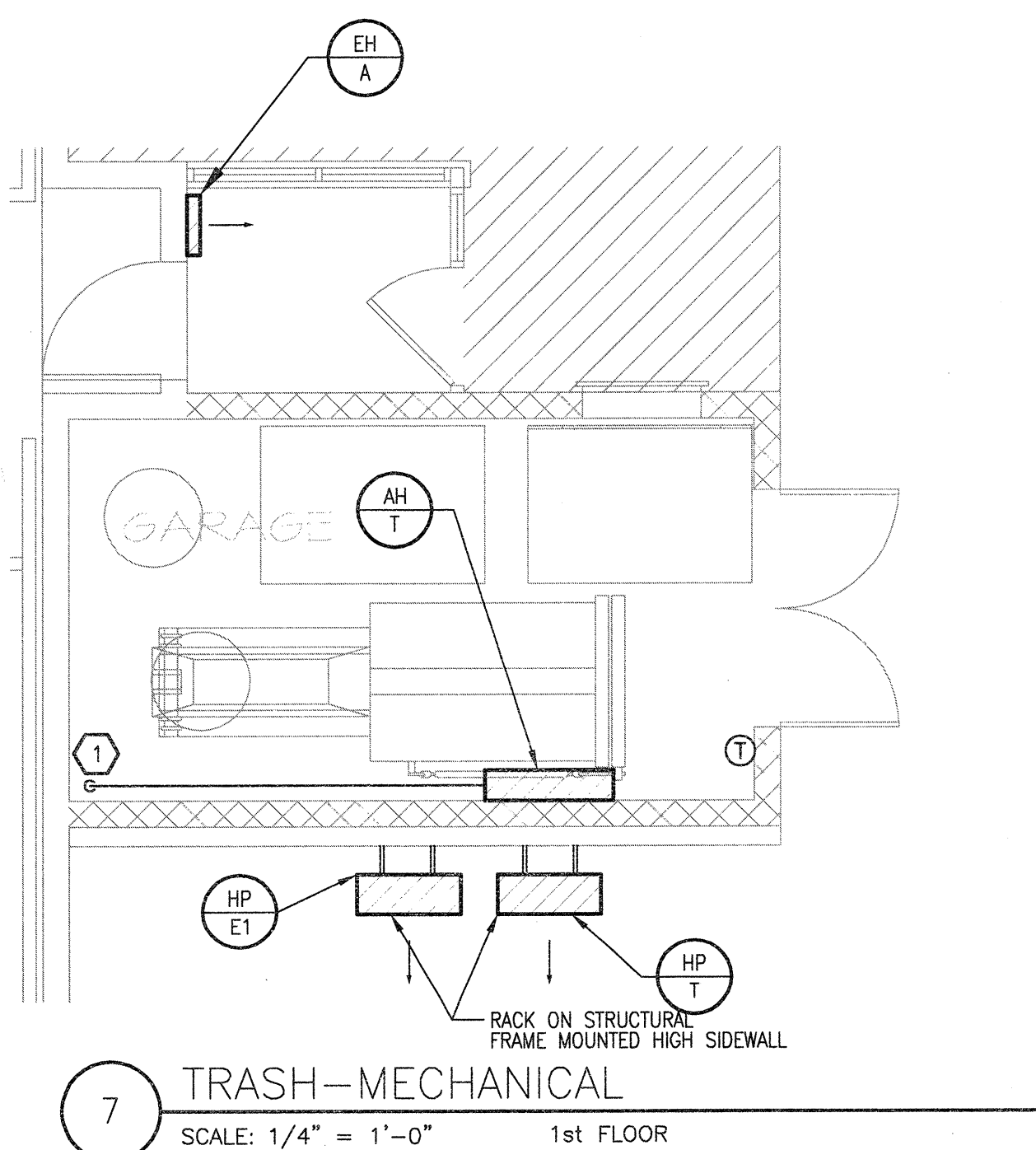
3 STAIRWELL—MECHANICAL
SCALE: 1/4" = 1'-0"



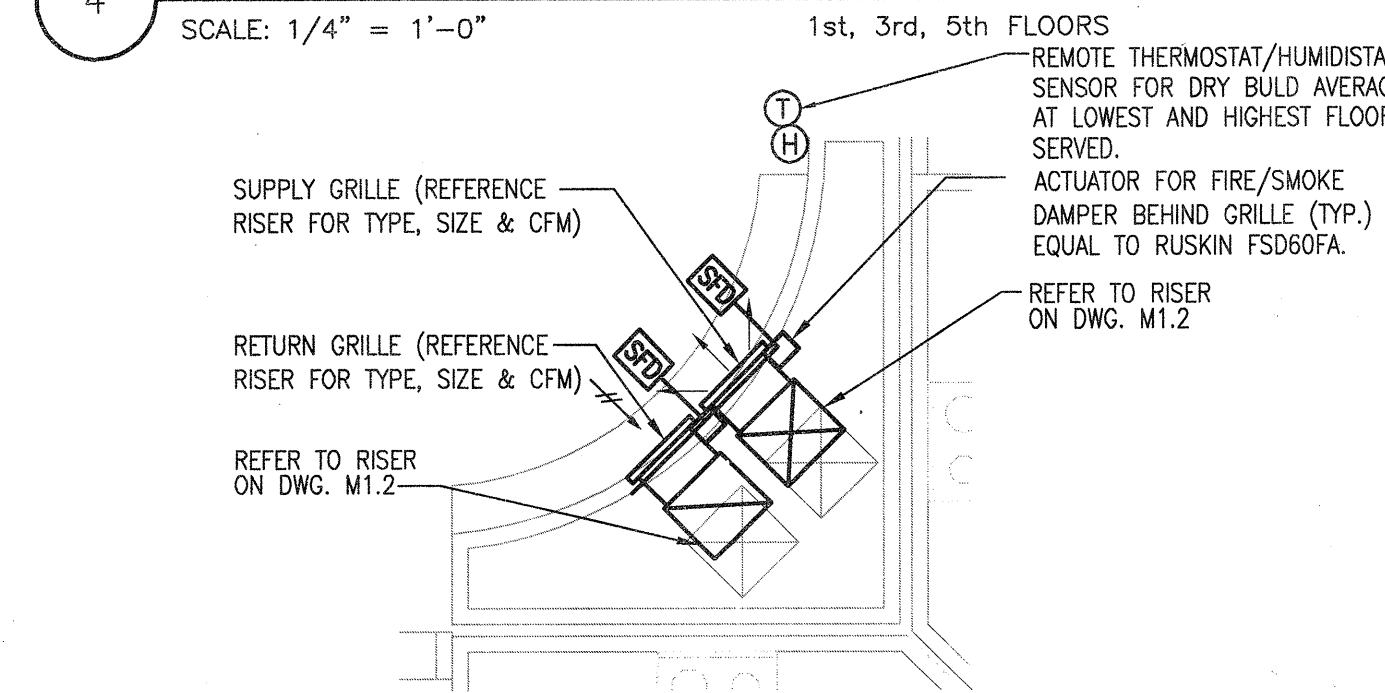
10 TELECOM CLOSET — TYPICAL
SCALE: 1/4" = 1'-0" (2ND & 3RD FLOORS)



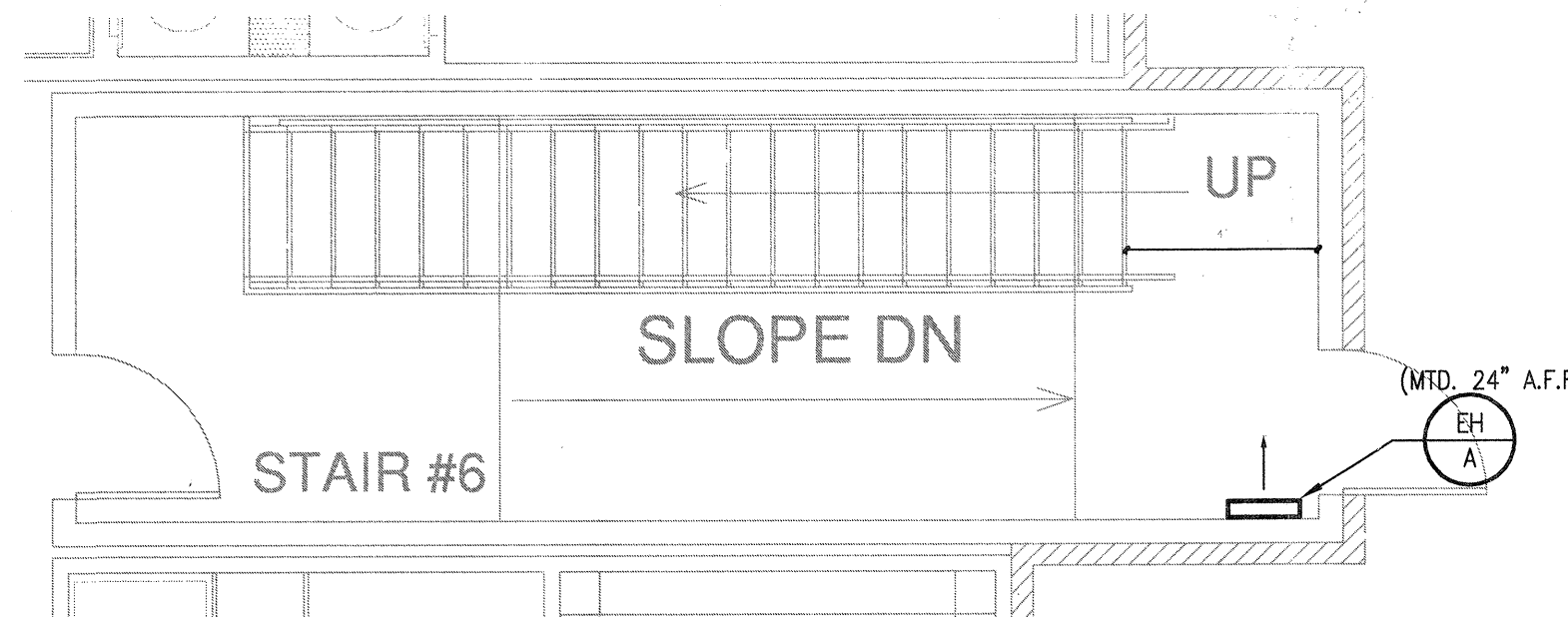
8 STAIRWELL—MECHANICAL
SCALE: 1/4" = 1'-0"



7 TRASH—MECHANICAL
SCALE: 1/4" = 1'-0" 1st FLOOR



6 CORRIDOR PRESSURIZATION —MECHANICAL
SCALE: 1/4" = 1'-0"



9 STAIRWELL—MECHANICAL
SCALE: 1/4" = 1'-0"



REVISIONS	DATE	DESCRIPTION
1	9-2-2011	DESIGN REVISIONS
2	9-13-2011	ANSI/FHA COMMENTS
3	9-23-2011	DESIGN REVISIONS
4	10-17-2011	CONSTRUCTION ISSUE

KELLER SPRINGS LOFTS
 LOFT APARTMENTS IN ADDISON, TEXAS

AS BUILT

BGO
 architects
 4144 N. Central Expy.
 Suite 855
 Dallas, TX 75204
 214.520.8878
 bgoarchitects.com

DATE
 08-05-11

PROJECT
 11129

SHEET NUMBER

M-4.1
 PART
 PLANS
 MECHANICAL

USE Jordan & Skala Engineers
 14740 Midway Road, Suite 350
 Dallas, TX 75244-5138
 Project Number - 113-0355
 Drawn By: CJH
 Texas Firm Registration # F-4990
 Checked By: AHS