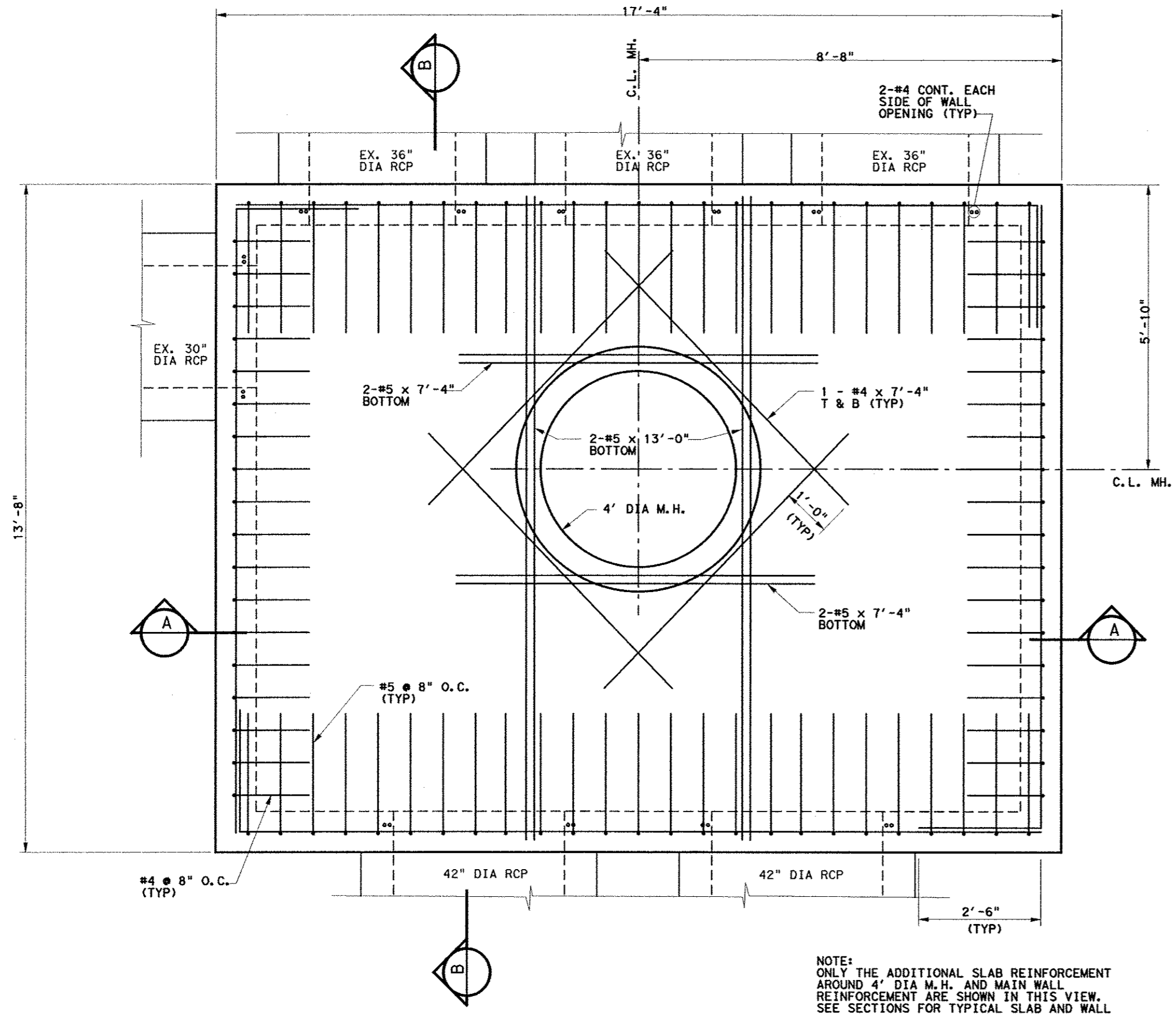


Keller Springs Lofts
Loft Apartments in Addison
Town of Addison, Texas

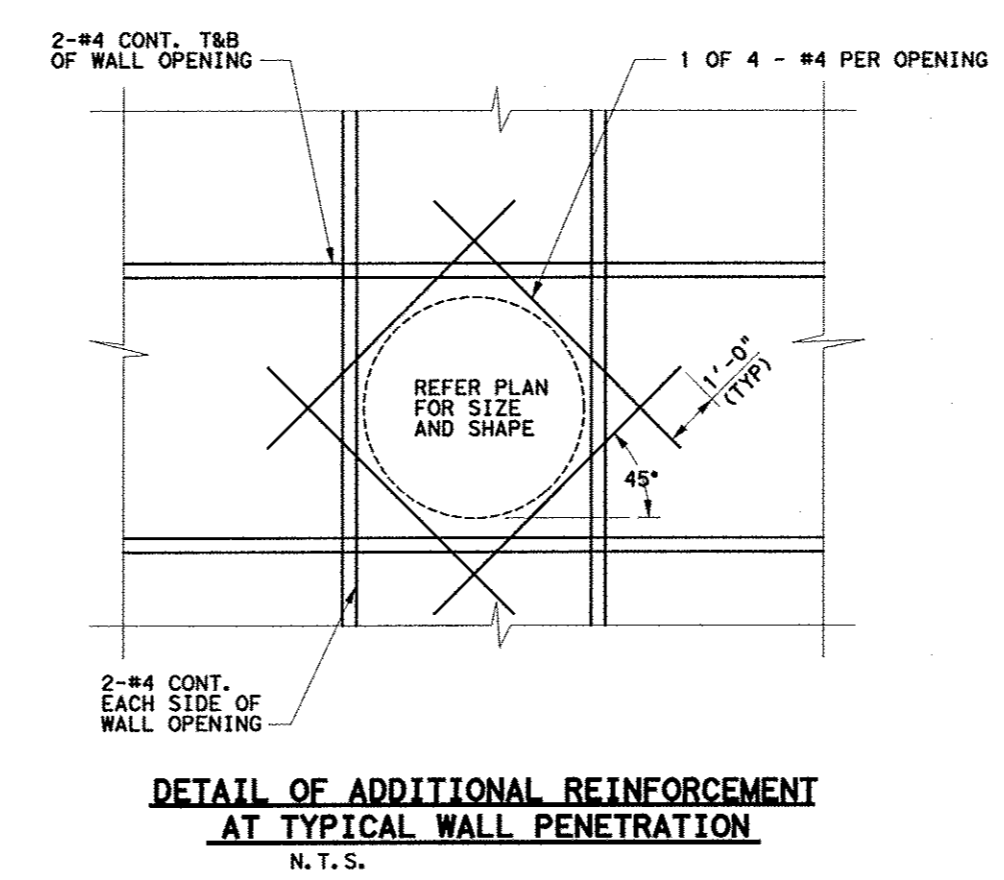
**JUNCTION STRUCTURE
DETAILS**

DATE: OCTOBER 11, 2011
DESIGN: KHA
DRAWN: KHA
CHECKED: KHA
KHA NO.: 064362003
CITY NO.:

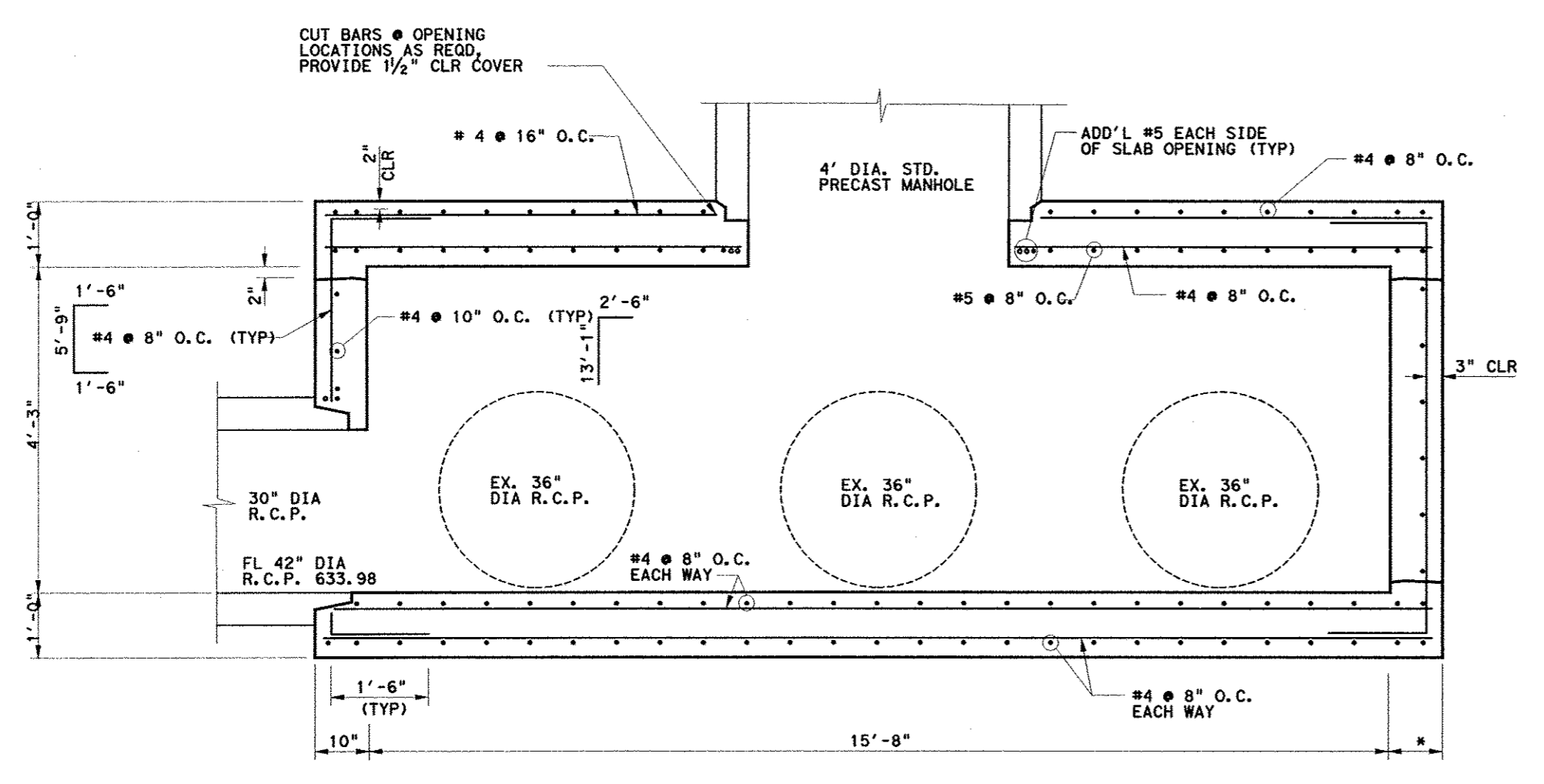
NOTE: SEE SHEET C15 FOR GENERAL NOTES.



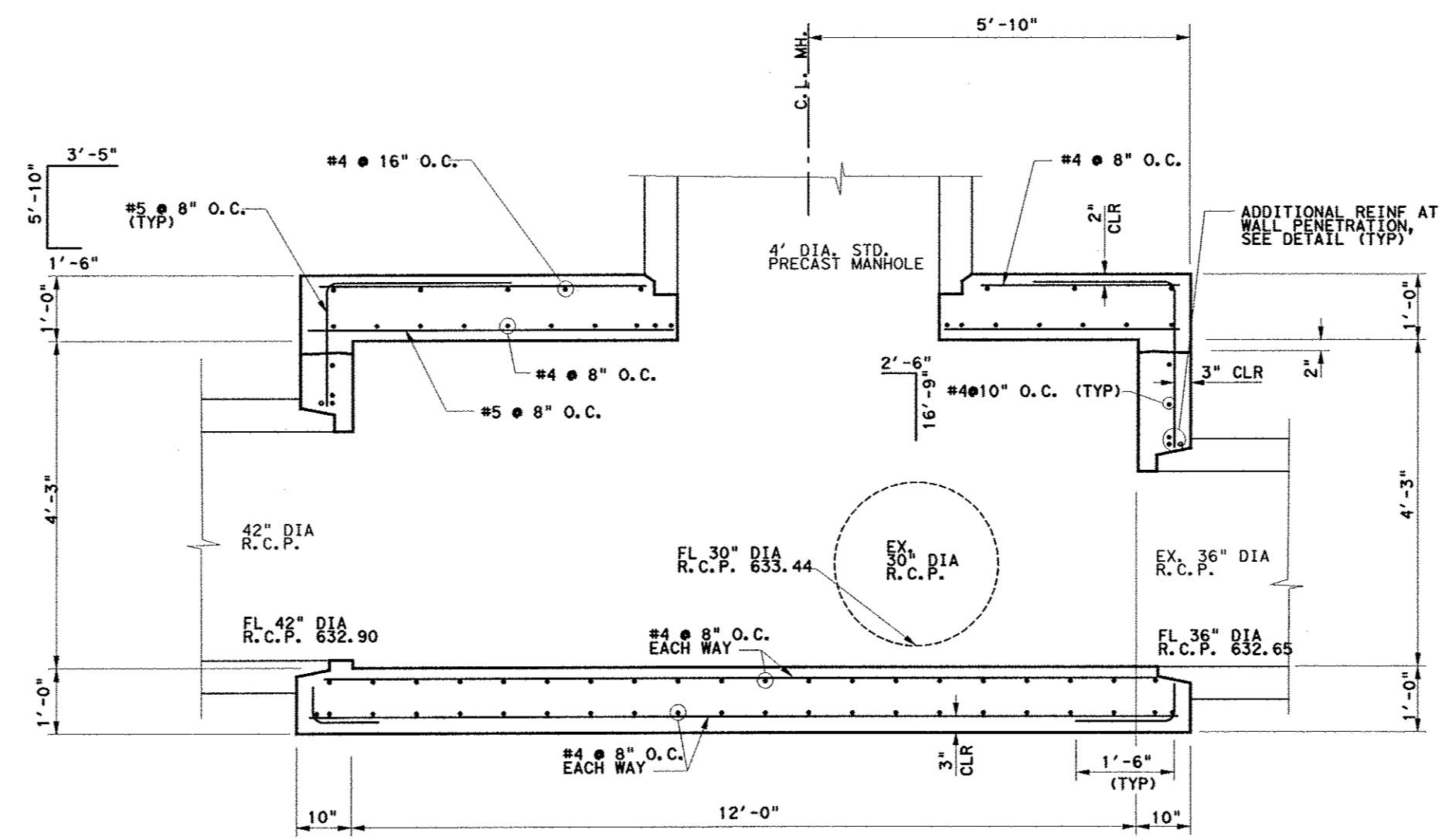
PLAN VIEW
SCALE 1/4" = 1'-0"
STA. 0+00 LN 'E'



**DETAIL OF ADDITIONAL REINFORCEMENT
AT TYPICAL WALL PENETRATION**
N.T.S.



SECTION A-A
SCALE 1/2" = 1'-0"
STA. 0+00 LN 'E'



SECTION B-B
SCALE 1/2" = 1'-0"
STA. 0+00 LN 'E'