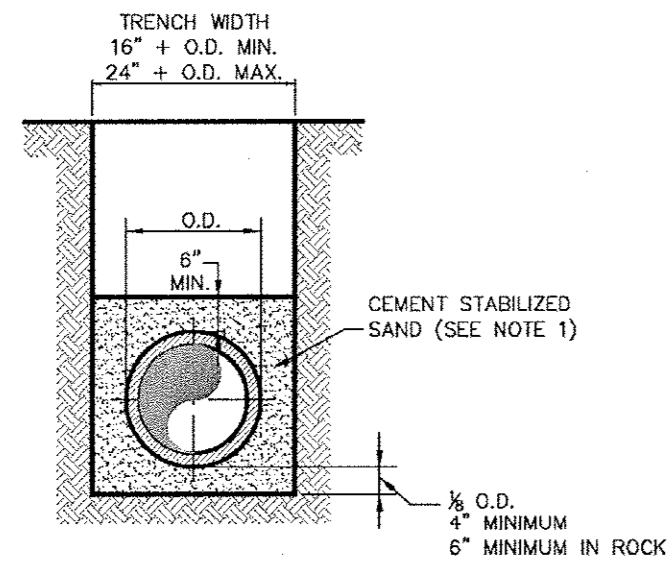


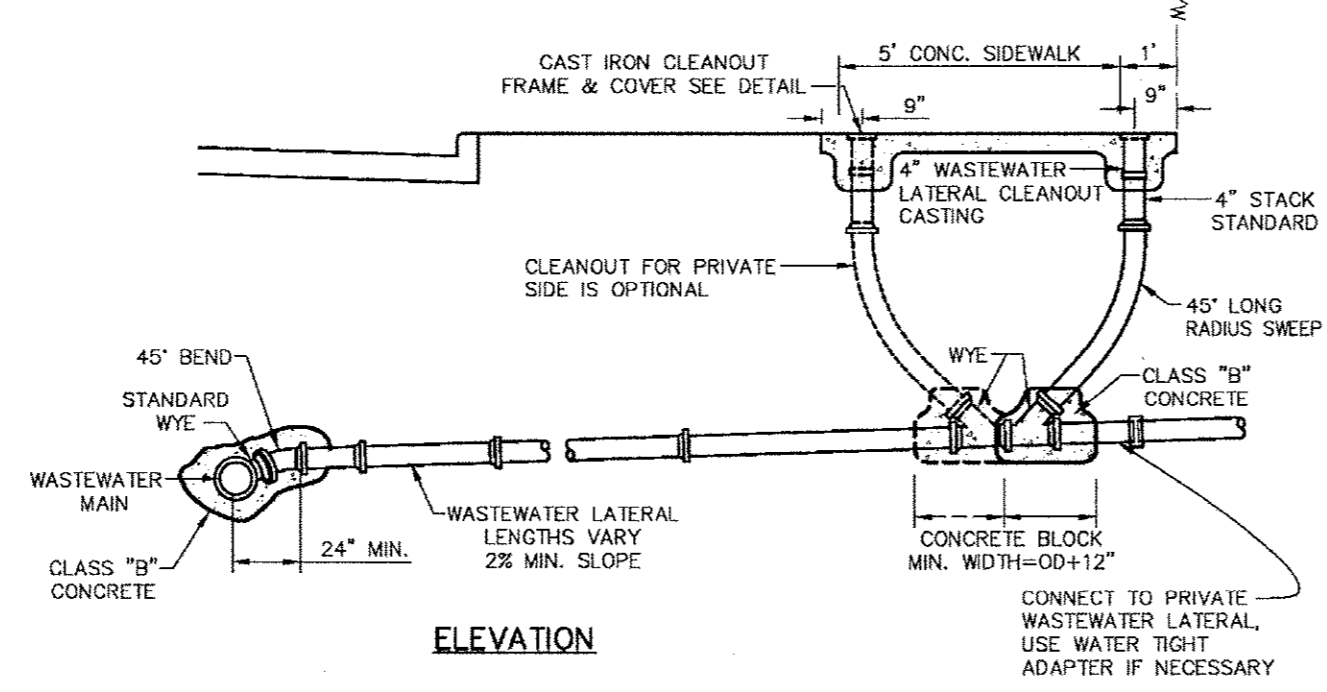
TYPICAL P.V.C. WASTEWATER MAIN EMBEDMENT



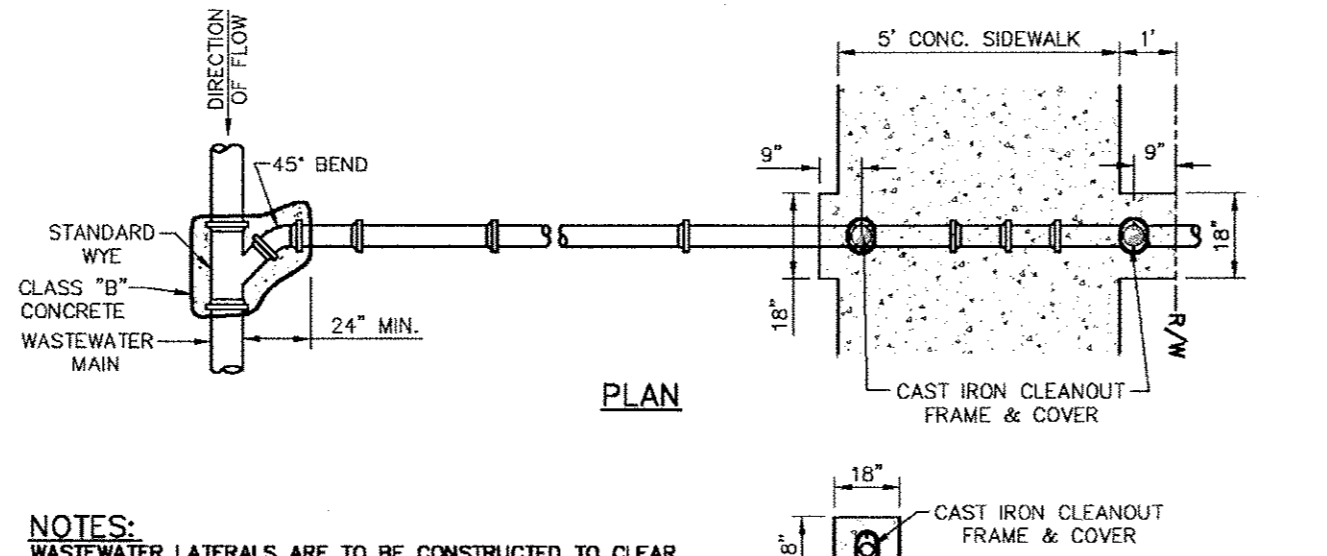
P.V.C. WASTEWATER MAIN CEMENT STABILIZED SAND EMBEDMENT

- NOTE:
1. CEMENT STABILIZED SAND SHALL HAVE A MINIMUM OF 10% CEMENT PER CUBIC YARD OF CEMENT STABILIZED SAND MIXTURE, BASED ON LOOSE DRY WEIGHT VOLUME (AT LEAST 2.5 BAGS OF CEMENT PER CUBIC YARD OF MIXTURE). THE USE OF BROWN COLORING IN CEMENT STABILIZED SAND IS REQUIRED FOR PRESSURE RATED WASTEWATER MAIN AND LATERAL BEDDING.

Addison! PUBLIC WORKS DEPARTMENT	P.V.C. WASTEWATER MAIN EMBEDMENT	STANDARD CONSTRUCTION DETAILS WASTEWATER		
		DATE: AUGUST, 2010	REV DATE:	SHEET: 30-WW03



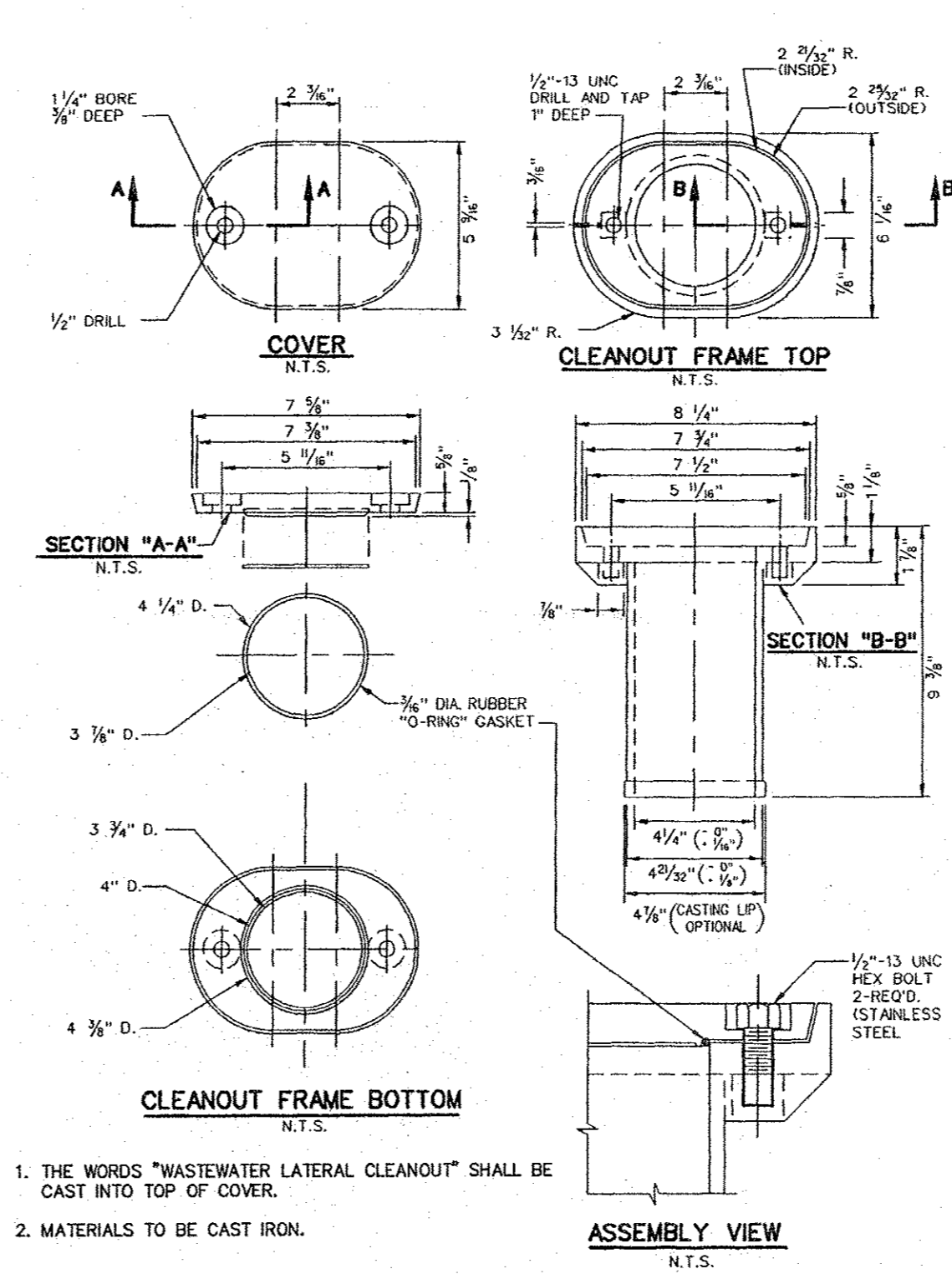
ELEVATION



PLAN

- NOTES:
1. WASTEWATER LATERALS ARE TO BE CONSTRUCTED TO CLEAR EXISTING AND PROPOSED FACILITIES, SUCH AS STORM DRAIN MAINS, RETAINING WALLS, OTHER UTILITIES, ETC.
2. THE WASTEWATER LATERAL SHALL HAVE MINIMUM COVER OF 4'-0" BELOW THE PROPOSED CURB GRADE AT THE PROPERTY LINE, DETERMINED FROM PAVING GRADE, OR AS REQUIRED TO MAINTAIN A MINIMUM OF 2.0% GRADE, OR AS DIRECTED BY THE OWNER.

Addison! PUBLIC WORKS DEPARTMENT	TWO-WAY CLEANOUT NEW CONSTRUCTION	STANDARD CONSTRUCTION DETAILS WASTEWATER		
		DATE: AUGUST, 2010	REV DATE:	SHEET: 30-WW02



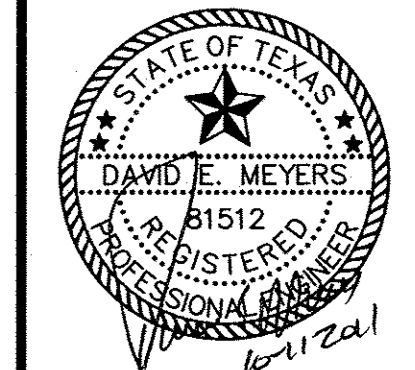
CLEANOUT FRAME BOTTOM

1. THE WORDS "WASTEWATER LATERAL CLEANOUT" SHALL BE CAST INTO TOP OF COVER.
2. MATERIALS TO BE CAST IRON.

Addison! PUBLIC WORKS DEPARTMENT	CAST IRON CLEANOUT FRAME & COVER	STANDARD CONSTRUCTION DETAILS WASTEWATER		
		DATE: AUGUST, 2010	REV DATE:	SHEET: 30-WW03

Kimley-Horn and Associates, Inc.
100 W. Commerce Street, Suite 300
Fort Worth, TX 76102
Phone: 817.335.4400
Fax: 817.335.4401
www.kimley-horn.com

Revision: 1
Date: 8/26/11
REVISD TOWN DETAILS



Keller Springs Lofts
Loft Apartments in Addison
Town of Addison, Texas

WASTEWATER DETAILS

DATE: OCTOBER 11, 2011
DESIGN: KHA
DRAWN: KHA
CHECKED: KHA
KHA NO.: 06-4362003
CITY NO.:

SHEET
C23