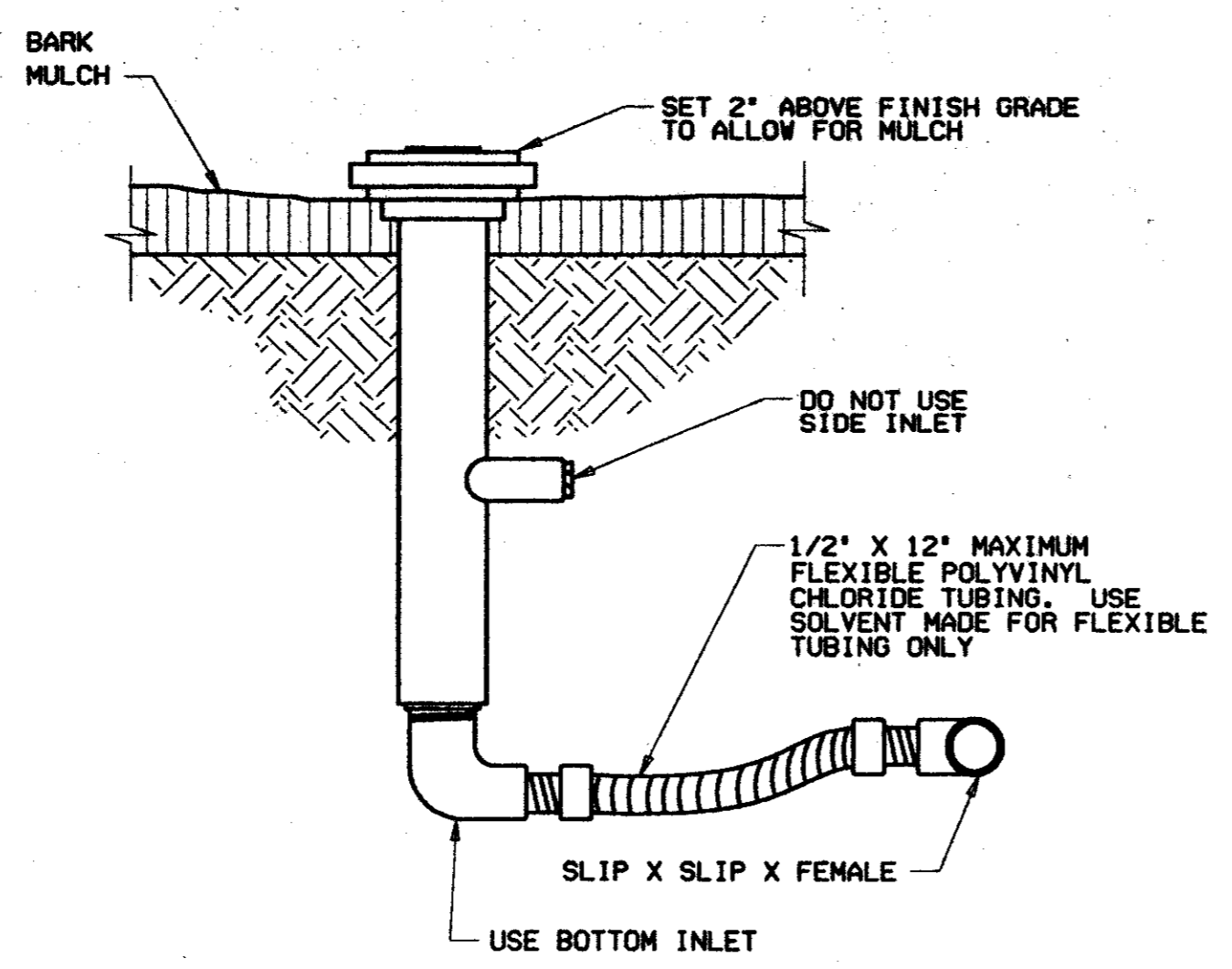
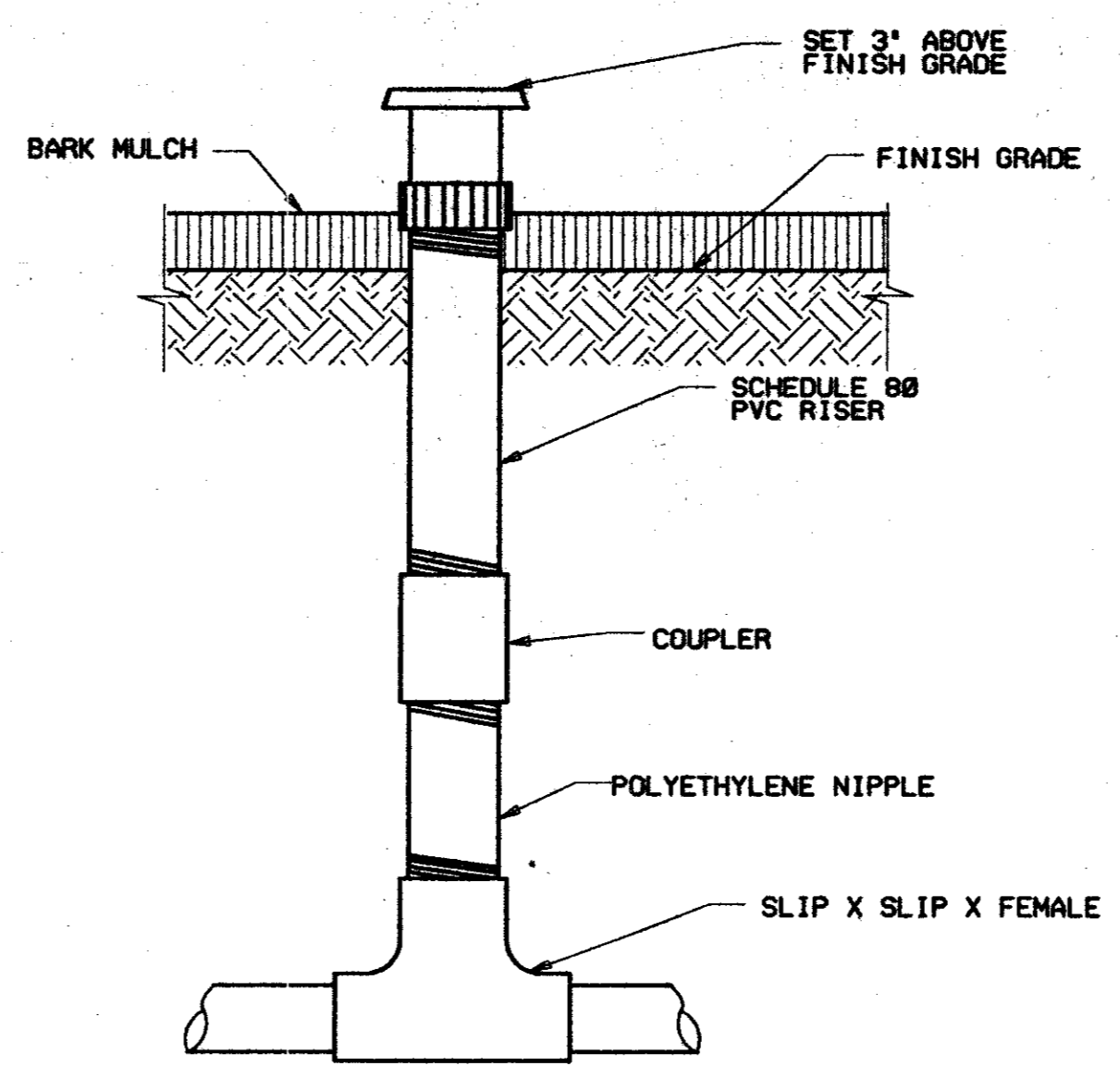


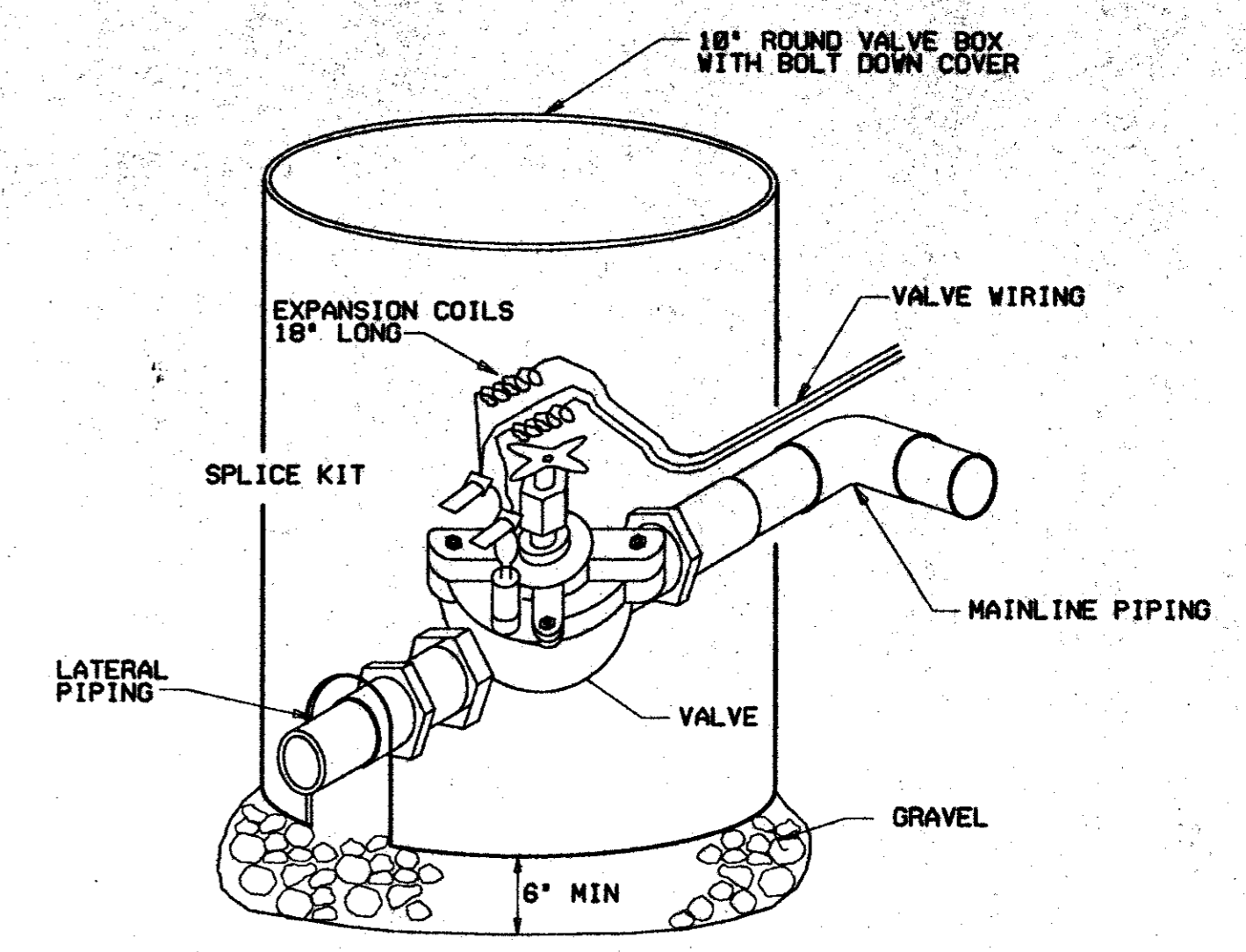
3.5" HIGH POP LAWN HEAD DETAIL (1)
NTS



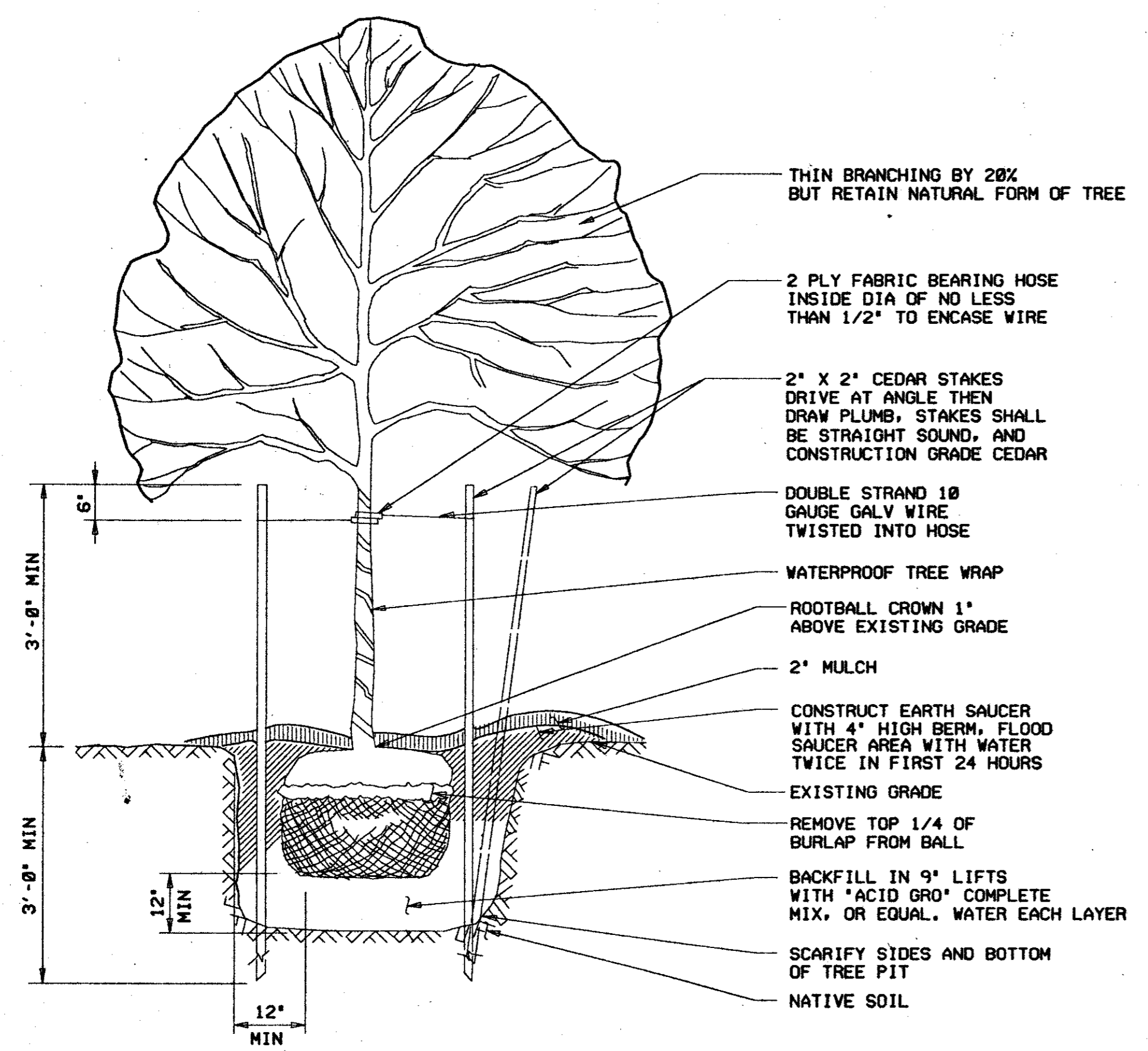
12" HIGH POP SHRUB HEAD DETAIL (2)
NTS



BUBBLER DETAIL (3)
NTS

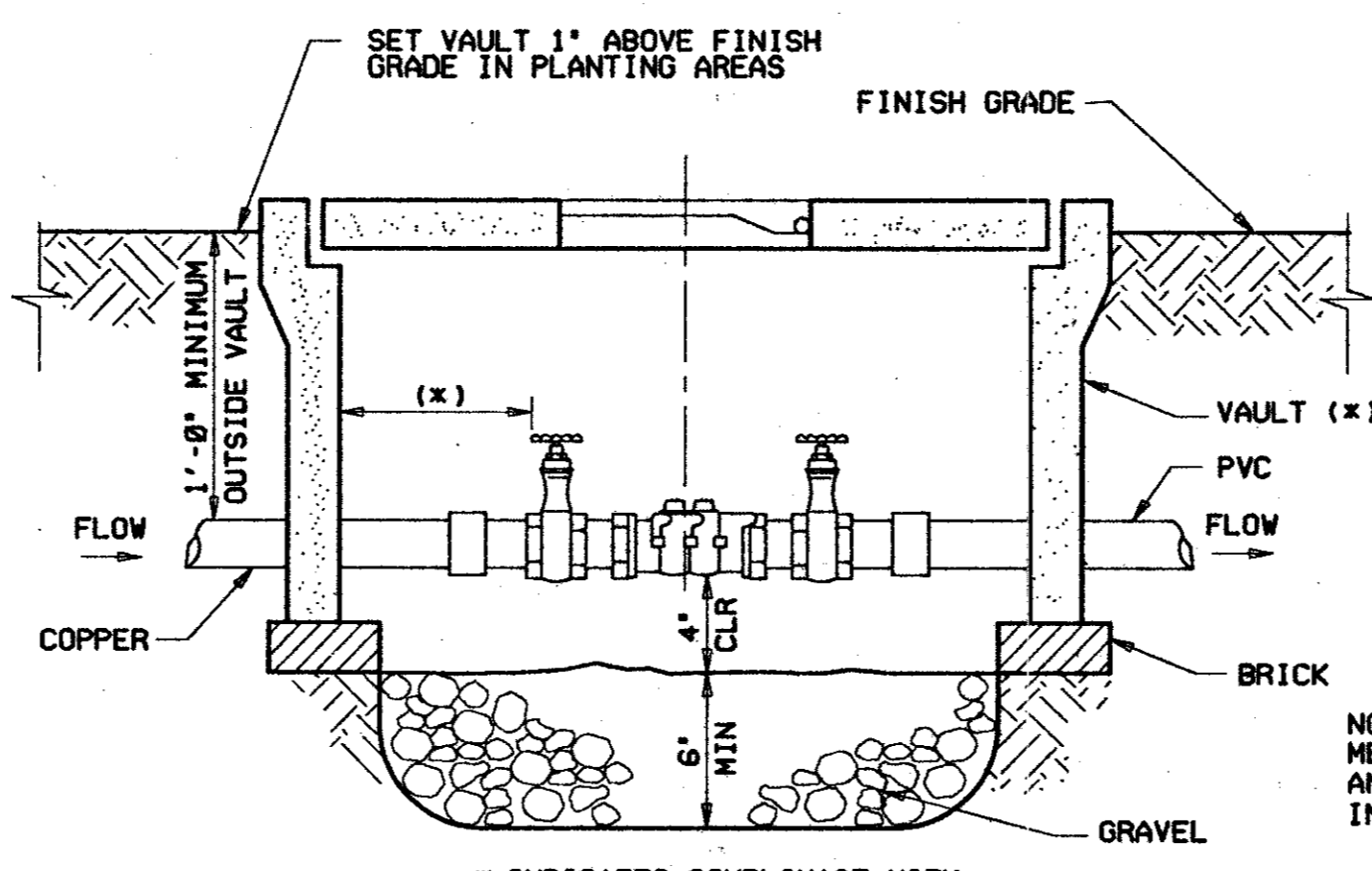


SOLENOID REMOTE CONTROL VALVE DETAIL (4)
NTS

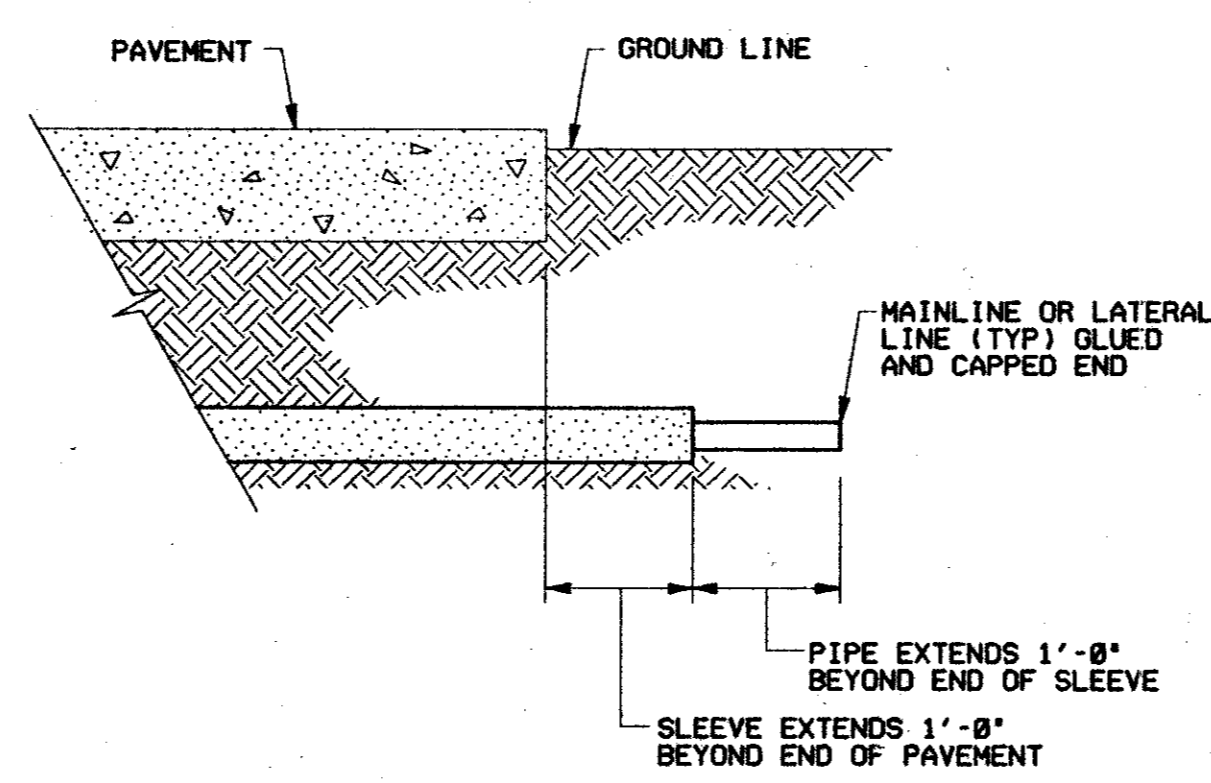


TREE STAKING/PLANTING PROCEDURE DETAIL (9)
NTS

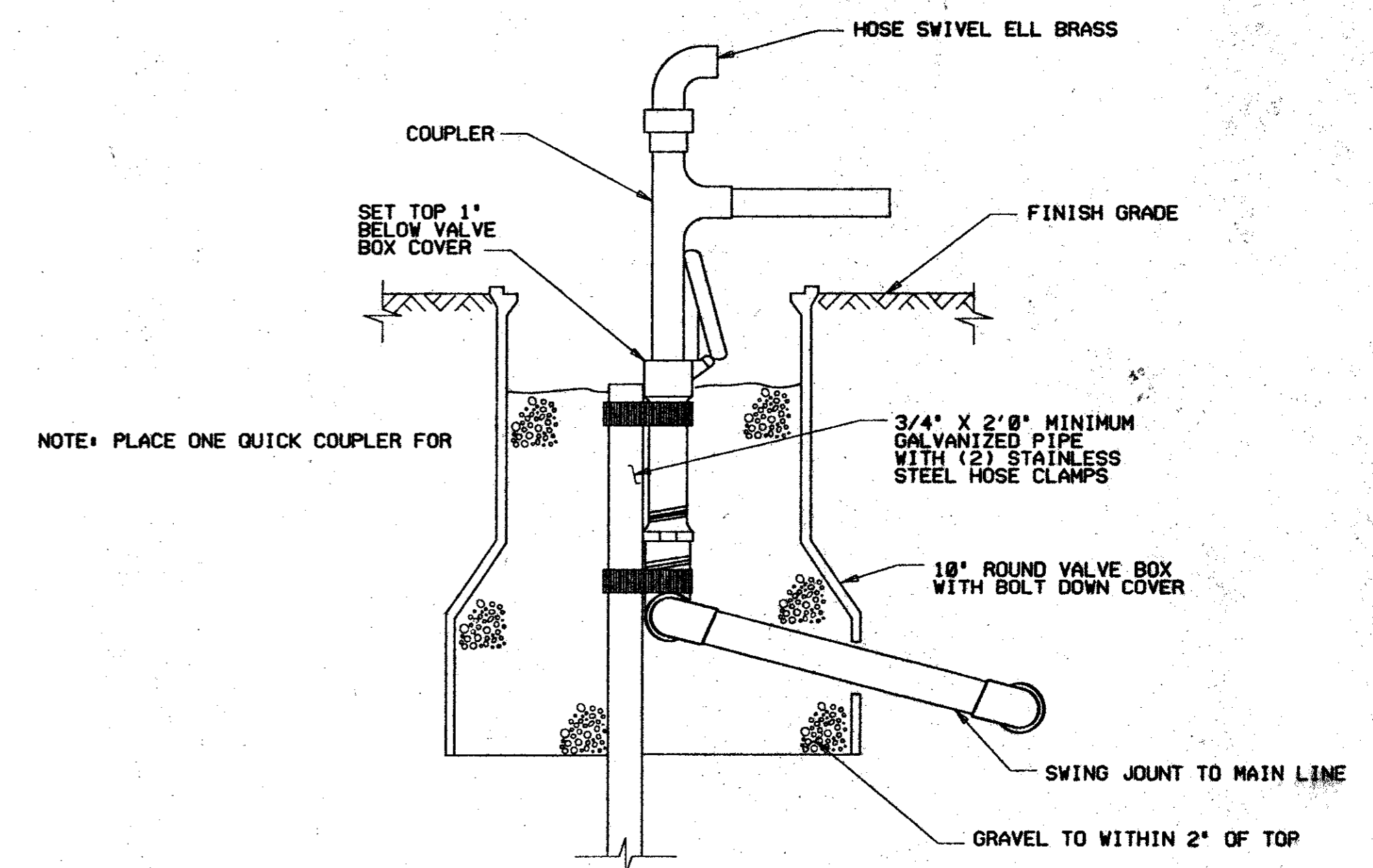
NOTE: THIS DETAIL FOR ALL ORNAMENTALS AND TREES 4" CALIPER AND LESS. PLANTING PROCEDURE UTILIZED FOR ALL TREES.



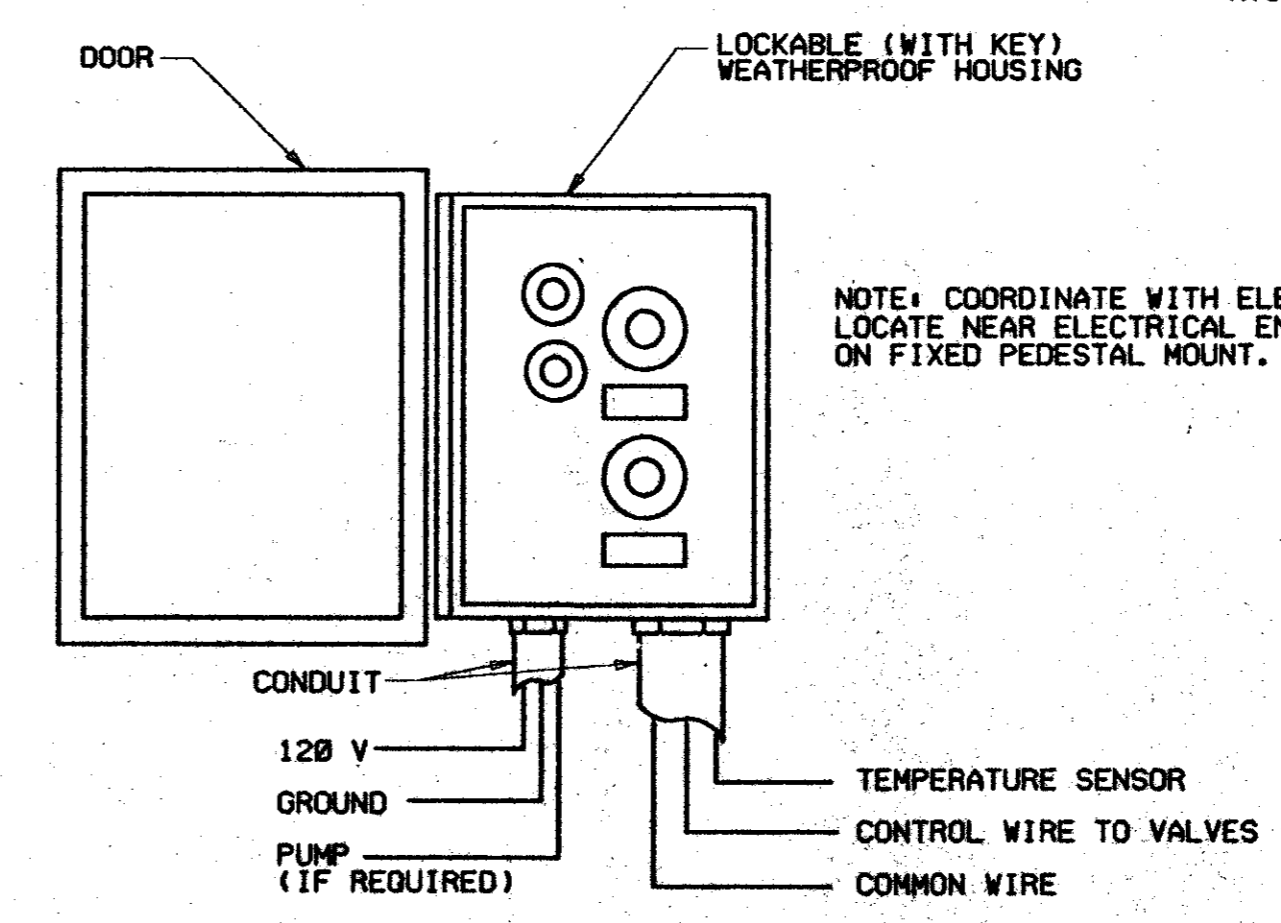
DOUBLE CHECK VALVE ASSEMBLY DETAIL (5)
NTS



PIPE GLUED & CAPPED (7)
NO SCALE



QUICK COUPLER VALVE DETAIL (6)
NTS



IRRIGATION CONTROLLER DETAIL (8)
NTS

LINDA TYCHER & ASSOCIATES
LANDSCAPE ARCHITECTS
11441 N. CENTRAL EXPRESSWAY SUITE 'V'
DALLAS, TEXAS 75248
PH: 214-750-1210 FAX: 214-381-8727

ISSUE DATE 10/9/95			
KELLER SPRINGS ROAD NORTH DALLAS TOLLWAY INTERSECTION IMPROVEMENTS DETAIL SHEET			
TOWN OF ADDISON, TEXAS			
RUST LICHLITER/JAMES			
Environment & Infrastructure Consulting Engineers, Scientists and Planners 1420 W. Mockingbird Lane, Suite 300, Dallas, Texas 75247-9906			
JOB NO. 67515-001	DATE 8-29-95	DRAWN BY JB	CHECKED BY
CAD FILE	CAD DATE	SCALE	SHEET 3 OF 11

BIP-1