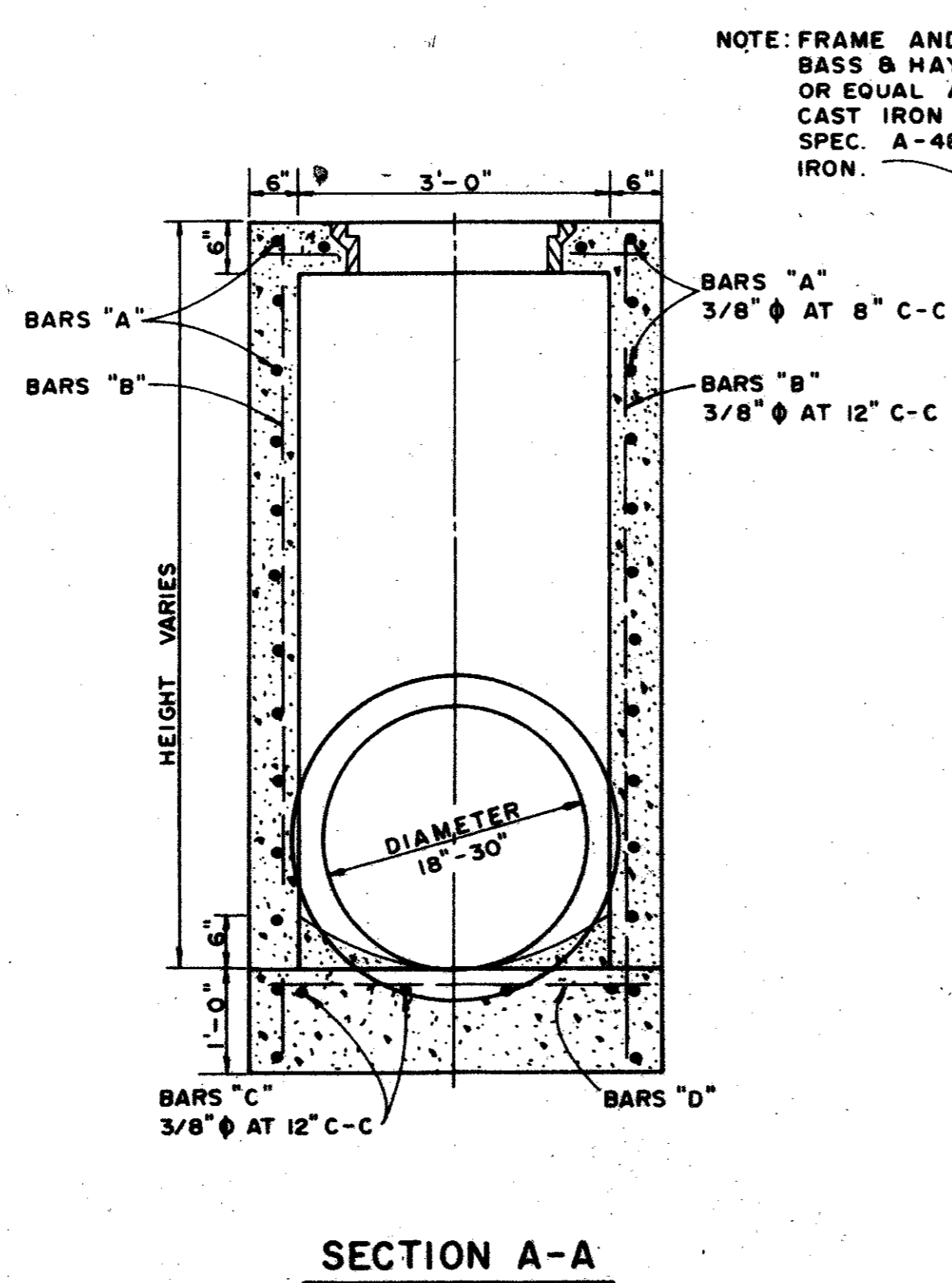


ELEVATION

TYPE A STORM SEWER MANHOLE

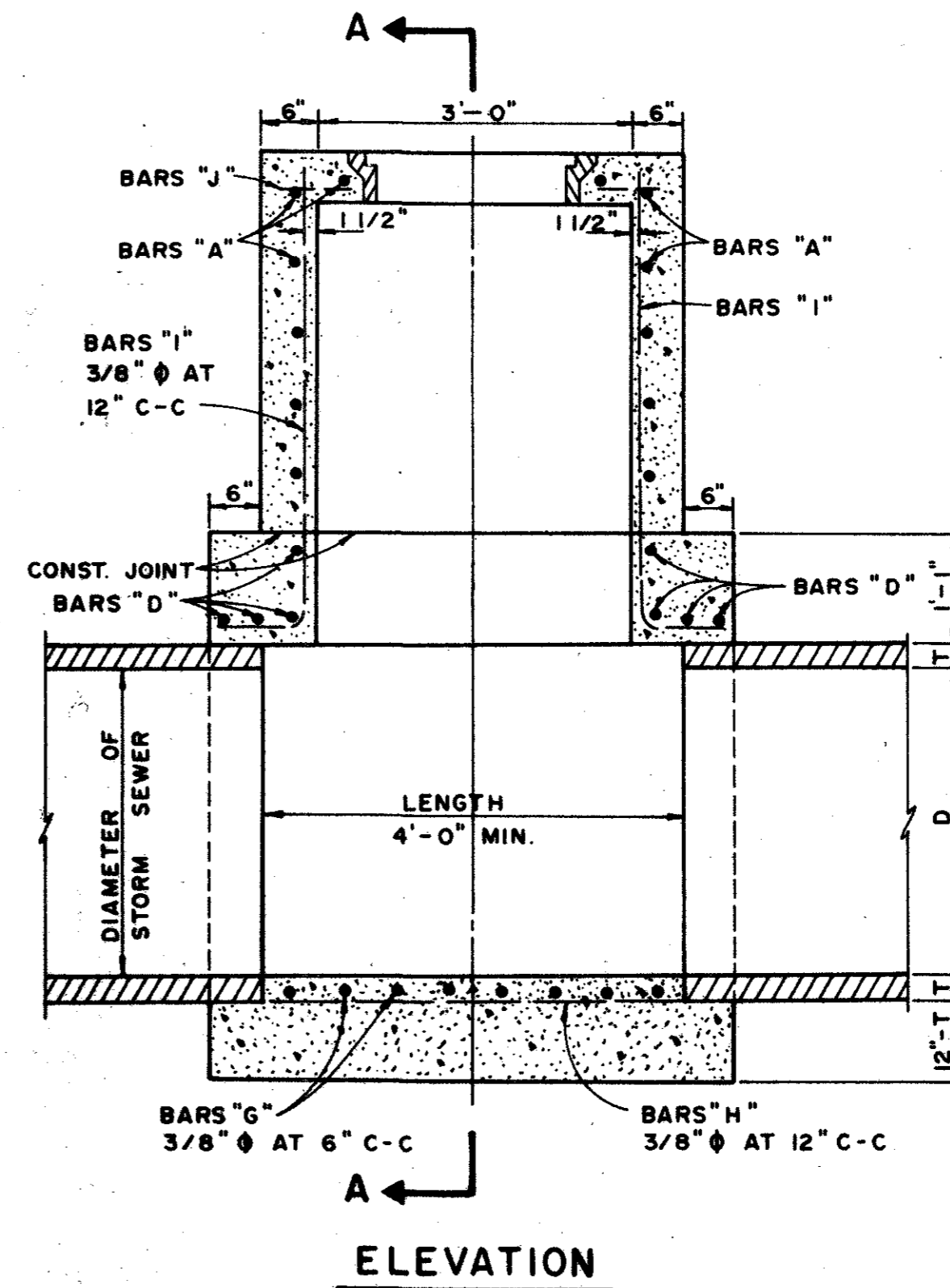
(FOR PIPE 18" TO 30" IN DIAMETER)



SECTION A-A

**TOP PLAN
TYPE A & TYPE B
STORM SEWER MANHOLE**

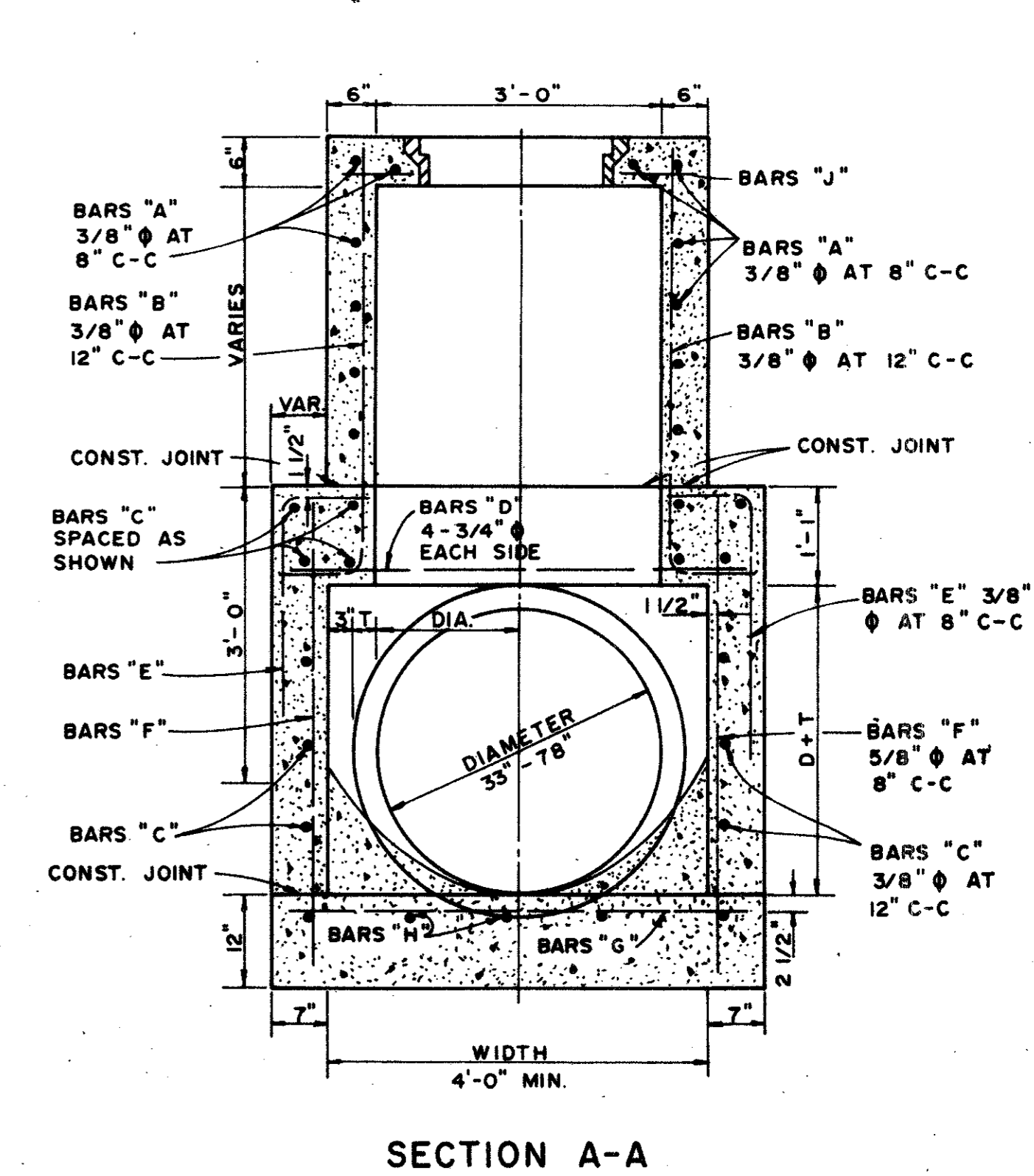
NOTE: MAXIMUM PIPE SIZE TO BE USED 78"



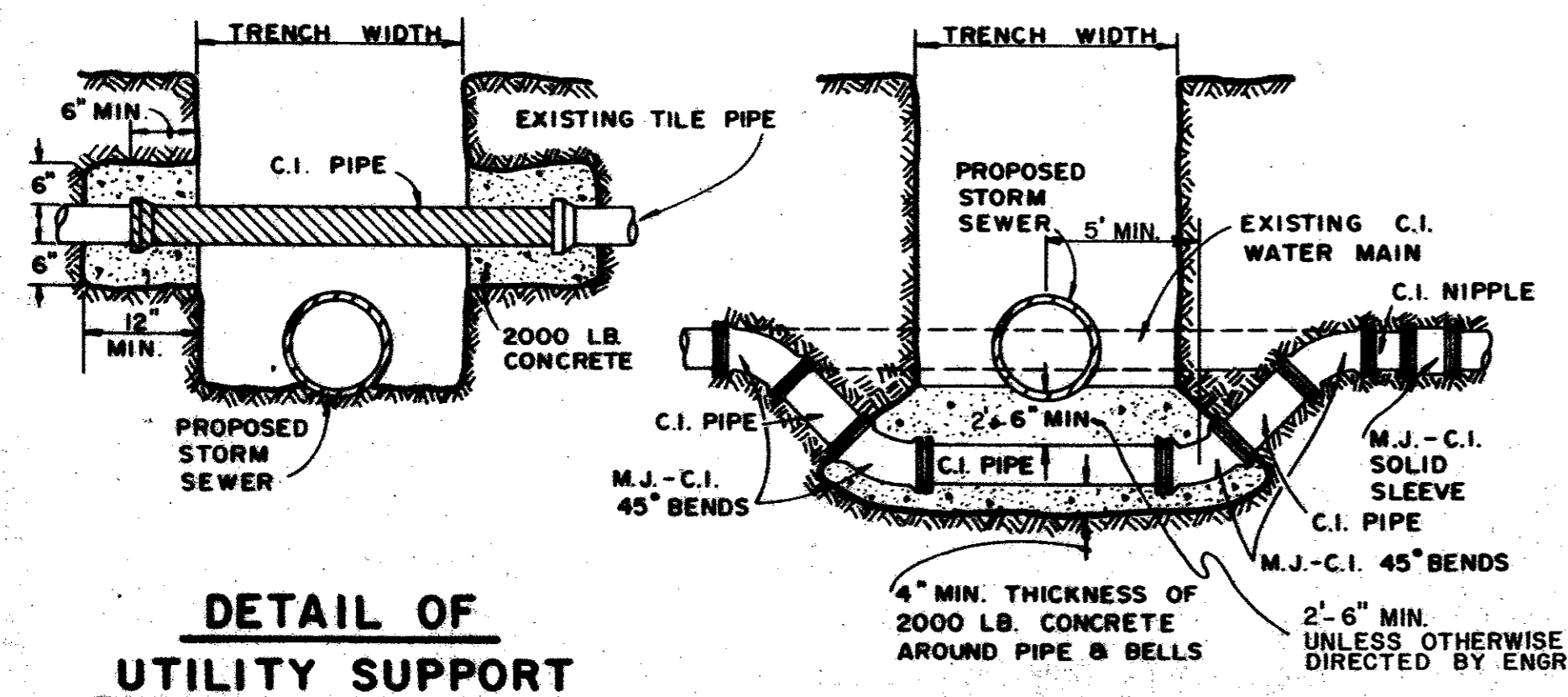
ELEVATION

TYPE B STORM SEWER MANHOLE

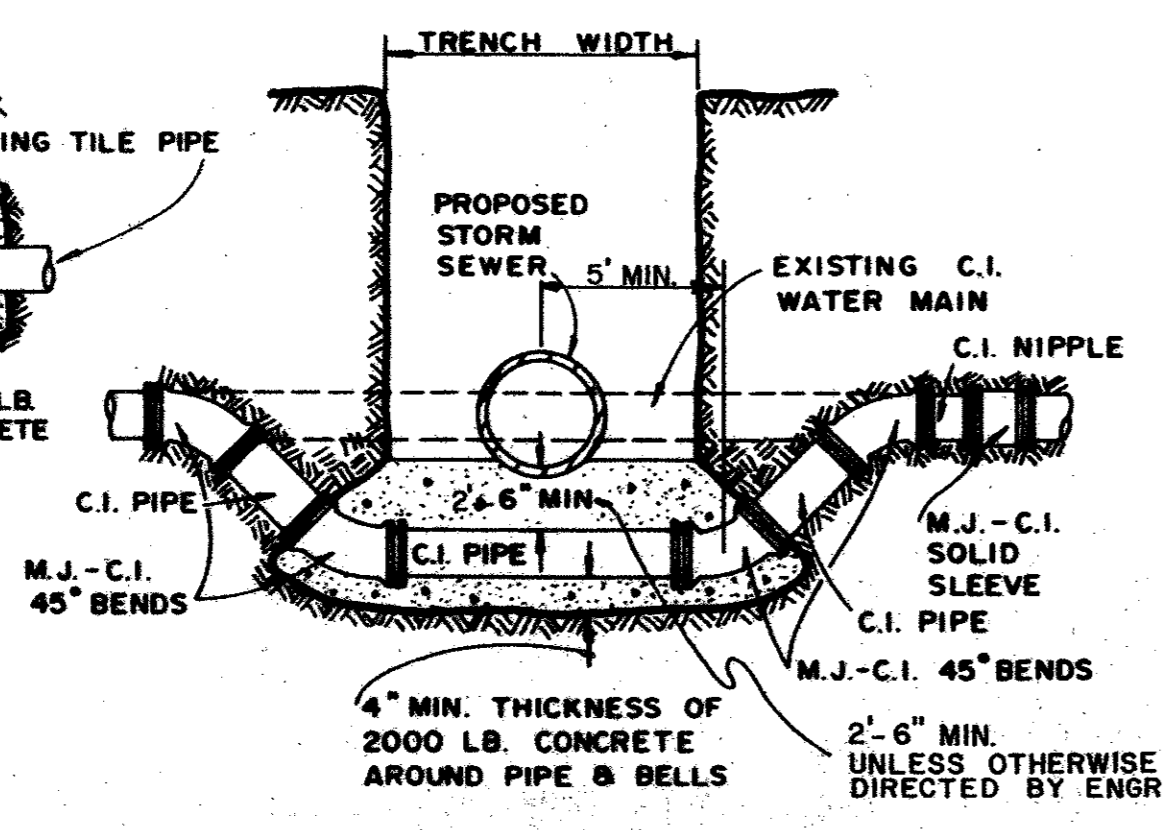
(FOR PIPE 33" TO 78" IN DIAMETER)



SECTION A-A

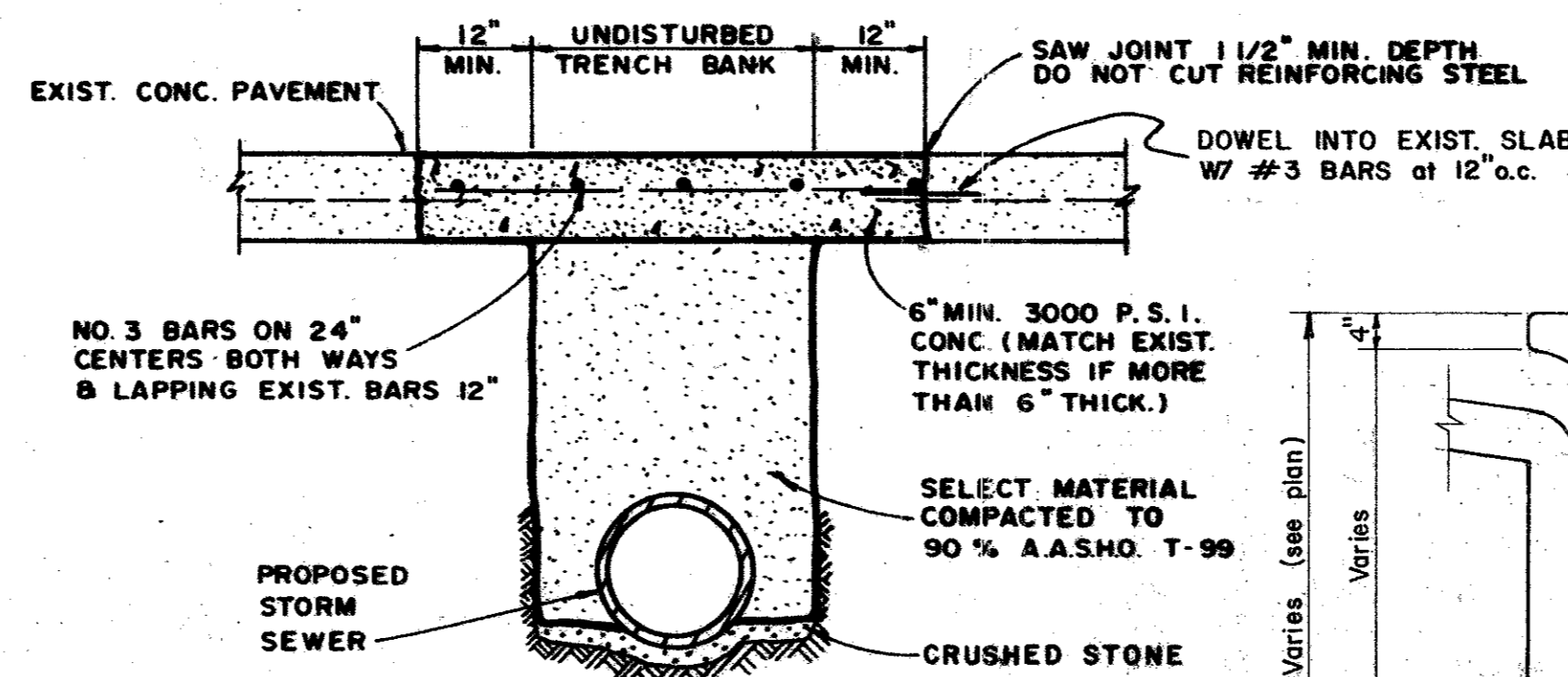


DETAIL OF UTILITY SUPPORT

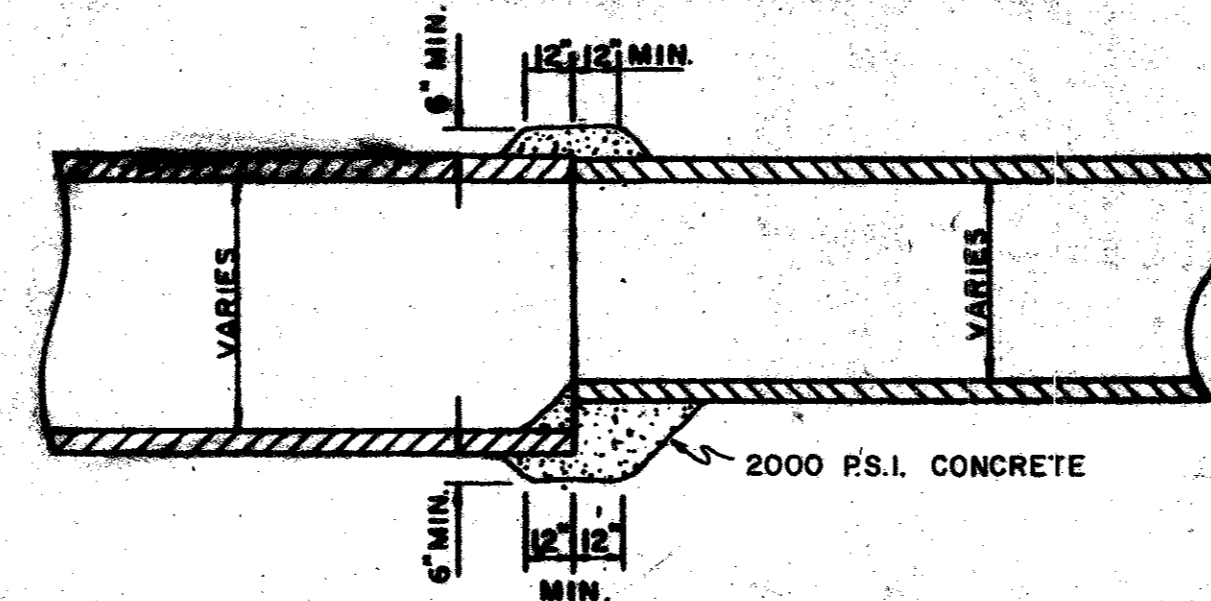


DETAIL FOR WATER MAIN LOWERING

PAY ITEM 479.7

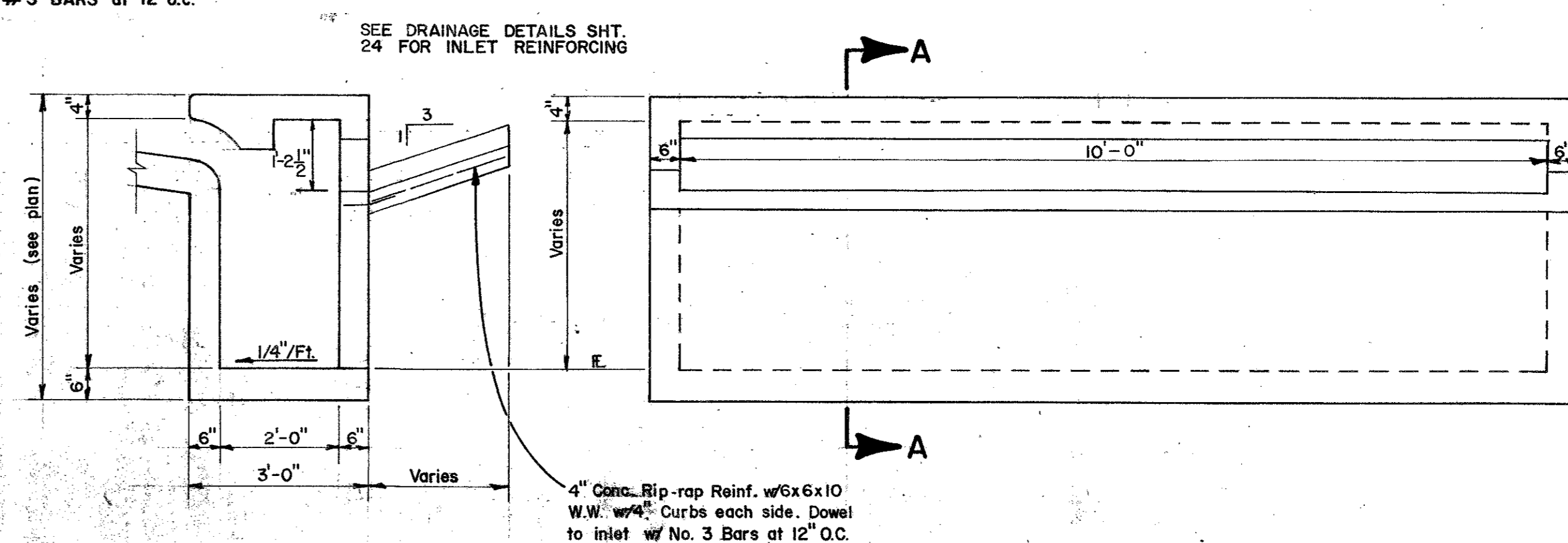


CONCRETE STREET OR DRIVEWAY REPAIR



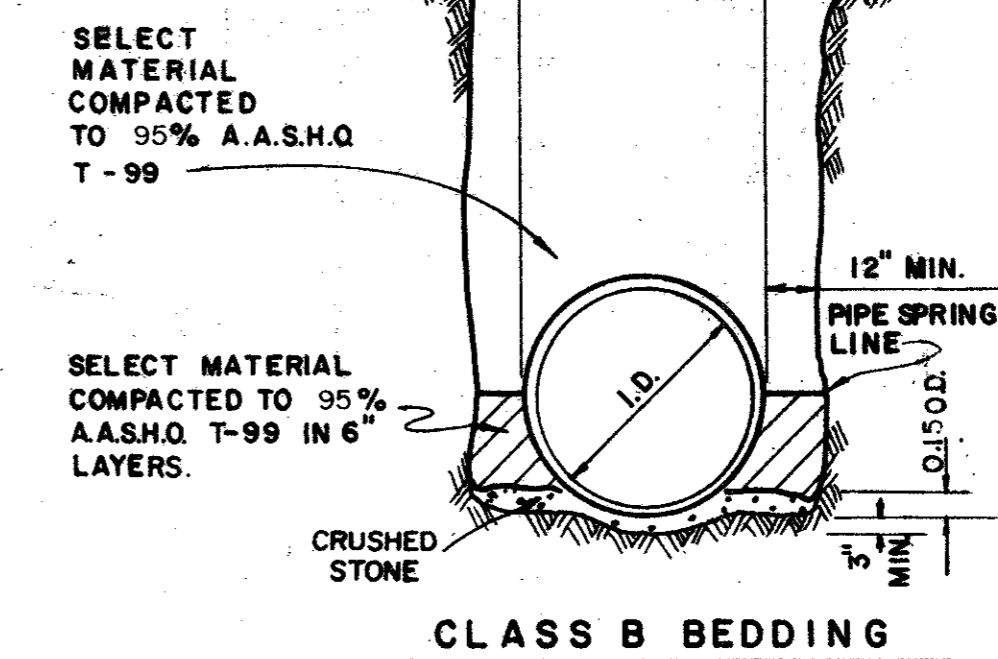
DETAIL OF CONCRETE COLLAR FOR PIPE CONNECTIONS

NOTE: IF ROCK ENCOUNTERED IN TRENCH BOTTOM, OVEREXCAVATE TRENCH A MINIMUM 8" AND BED PIPE IN GRAVEL OR CRUSHED STONE. IF JETTED SAND IS USED IN BACKFILL ABOVE SPRING LINE OF CORRUGATED METAL PIPE THE SAND SHALL BE COMPLETELY DRAINED AND TESTED FOR 90% DENSITY PRIOR TO ANY BACKFILL OVER PIPE.

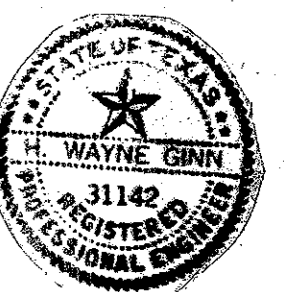


SECTION A-A MODIFIED CURB INLET WITH FLUME

PAY ITEM 470.21



STORM SEWER PIPE BEDDING DETAIL



NO.	REVISION	BY	DATE
TOWN OF ADDISON, TEXAS DEPARTMENT OF ENGINEERING			
STANDARD CONSTRUCTION DETAILS STORM DRAINAGE			
MANHOLES			
APPROVED _____ H. WAYNE GINN, P.E.			
DATE MARCH, 1984			
			SHEET SD-8