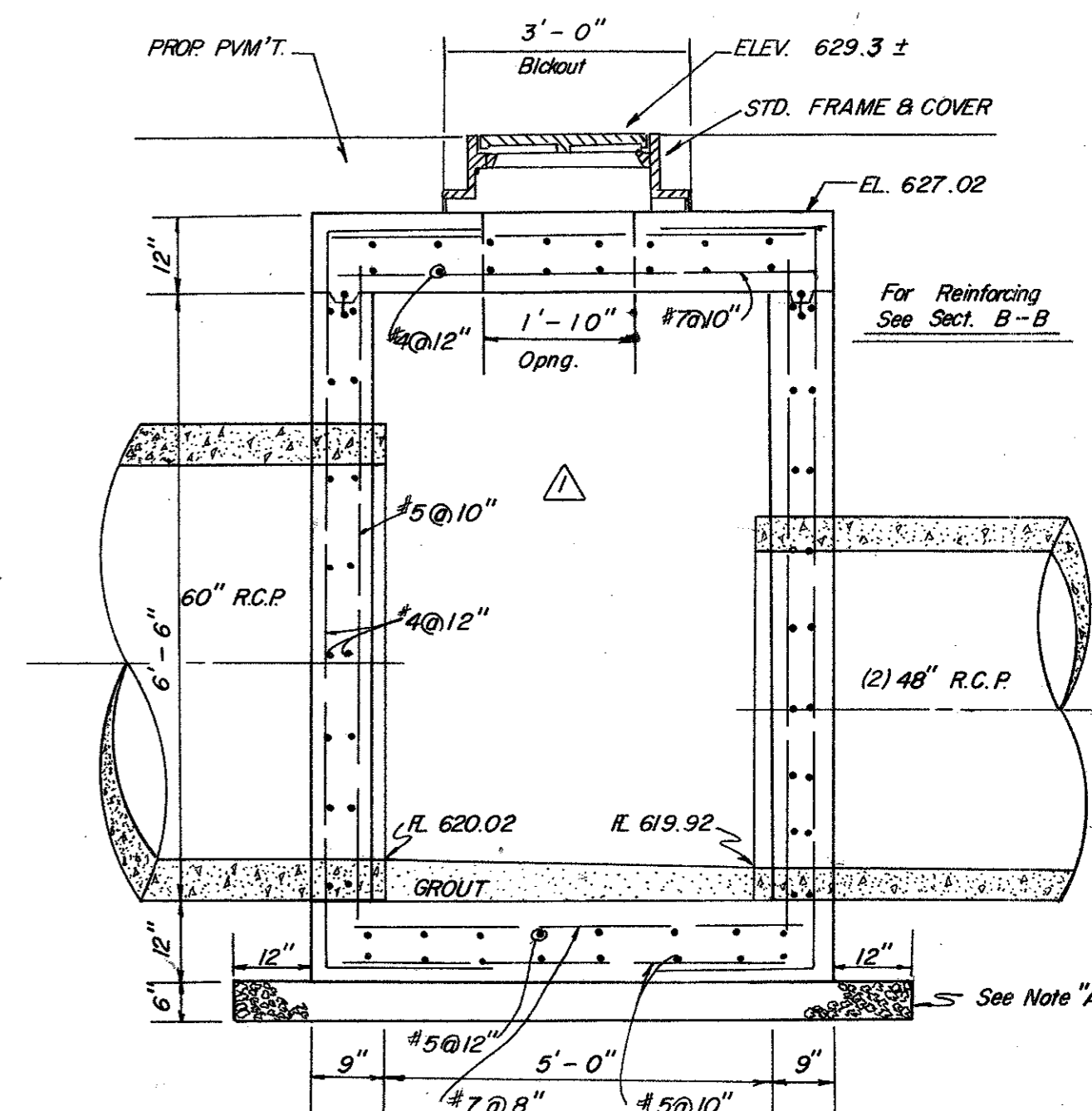
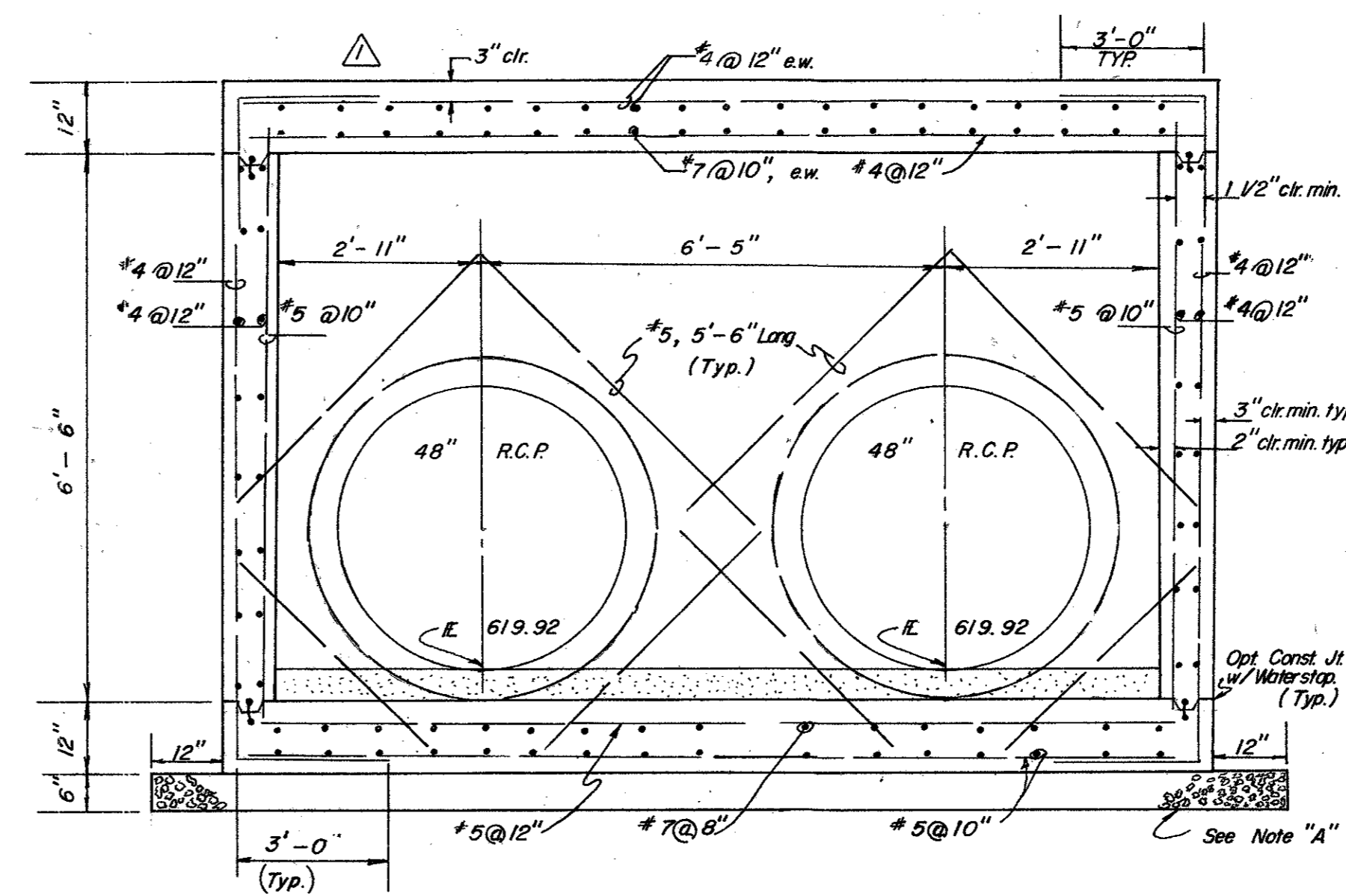
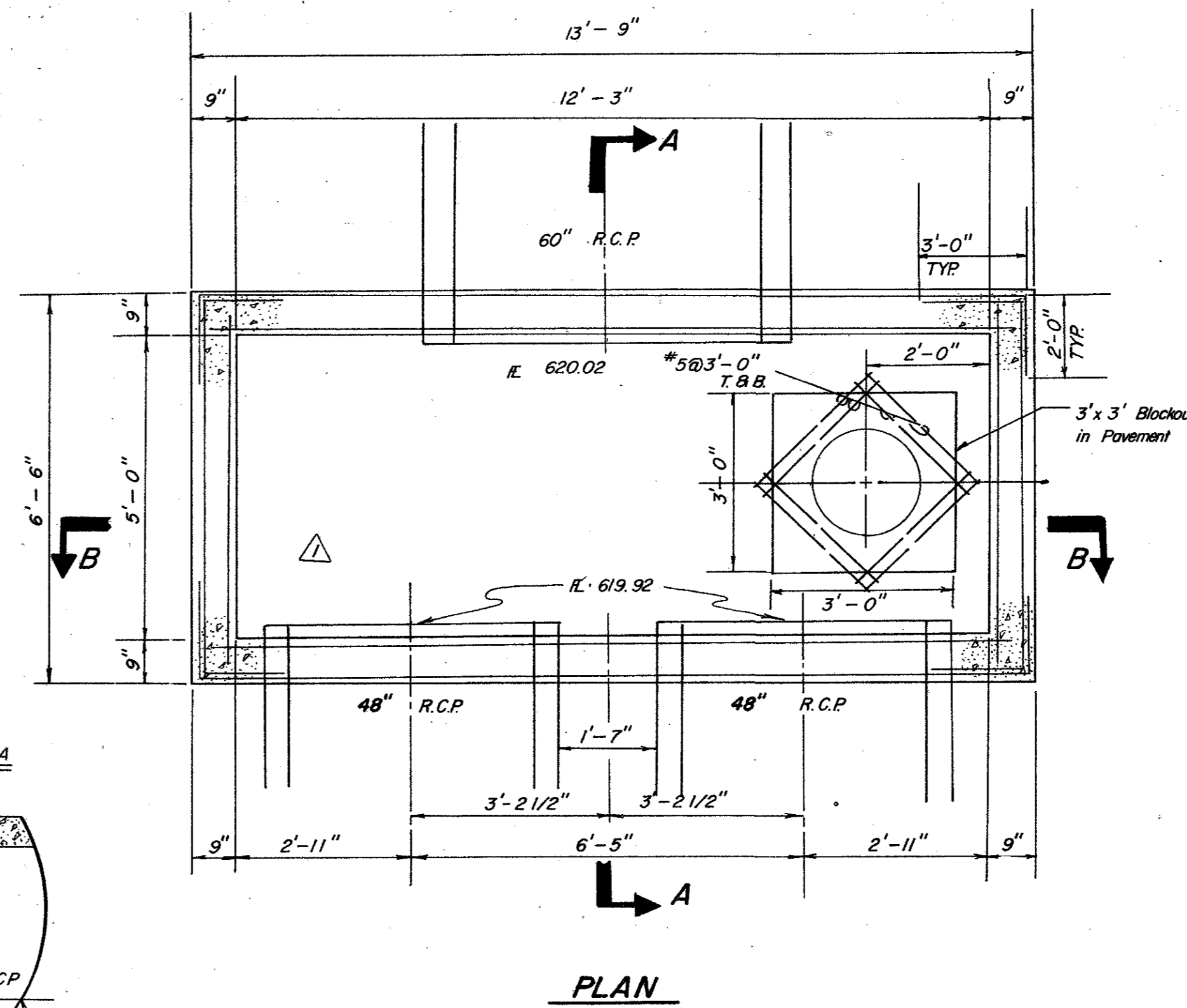


NOTE: Similar Reinf. on Sides Where R.C.P. Occurs

JUNCTION BOX NO. 1
PAY ITEM 475.1



JUNCTION BOX NO. 2
PAY ITEM 475.2

NOTE A:
Overexcavate & backfill with 6" thick bedding material (crushed stone) NOT a separate pay item.

- GENERAL NOTES**
(Typ. All Junction Boxes)
- All concrete shall be Class A, 3000 PSI concrete.
 - Reinforcing shall conform to ASTM A615, grade 60.
 - Provide all necessary reinforcing accessories to hold bars in proper position.
 - All reinforcing shall be detailed in accordance with ACI Standard 315.
 - Provide corner bars of the same size and number as horizontal bars at all corners, or bend bars as indicated on plan.
 - Contractor shall submit shop drawings in accordance with ACI Standards, latest edition, (for approval prior to any construction being done) showing all information as to exact location, size, number; bending, splicing and placing schedules and lists of reinforcement. No work shall commence on structures until approval of shop drawings is received.
 - All labor and materials for construction of junction boxes shall be included in the unit price bid for the structure. No additional compensation will be allowed.



REVISED REINFORCING STEEL		RLO	9-15-86
No.	Revision	By	Date
TOWN OF ADDISON DALLAS COUNTY, TEXAS			
KELLER SPRINGS/DOOLEY RD. IMPROVEMENTS			
DRAINAGE - JUNCTION BOX DETAILS			
GINN, INC. Consulting Engineers Dallas, Texas			
Designed - RLO	Drawn - RLO	Date - JUNE, 1986	Job No - 263
Approved - HWG	Checked - JCK	Scale - NONE	Sheet 18 of 30