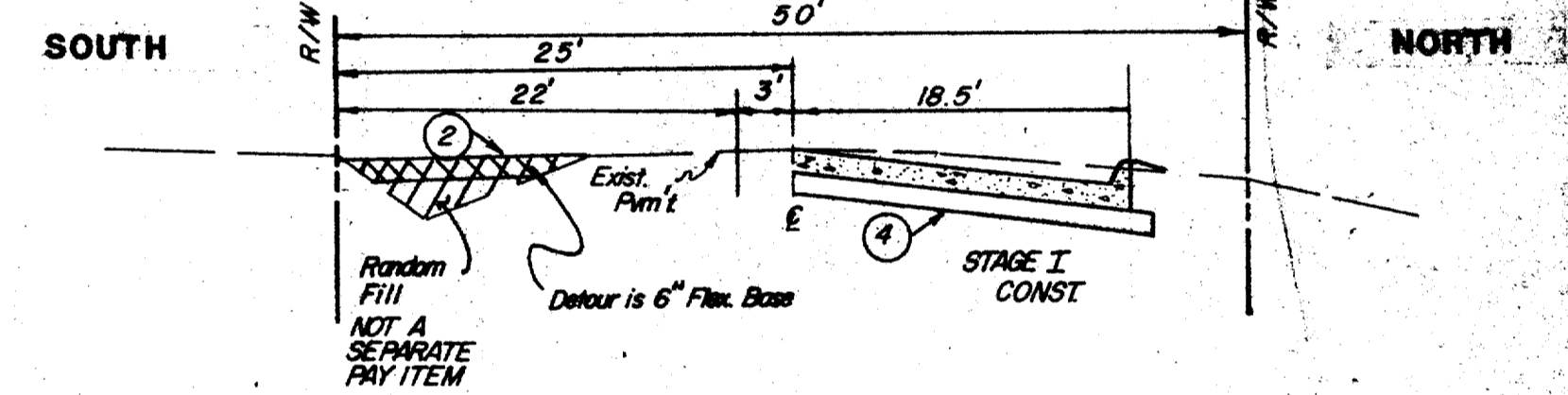
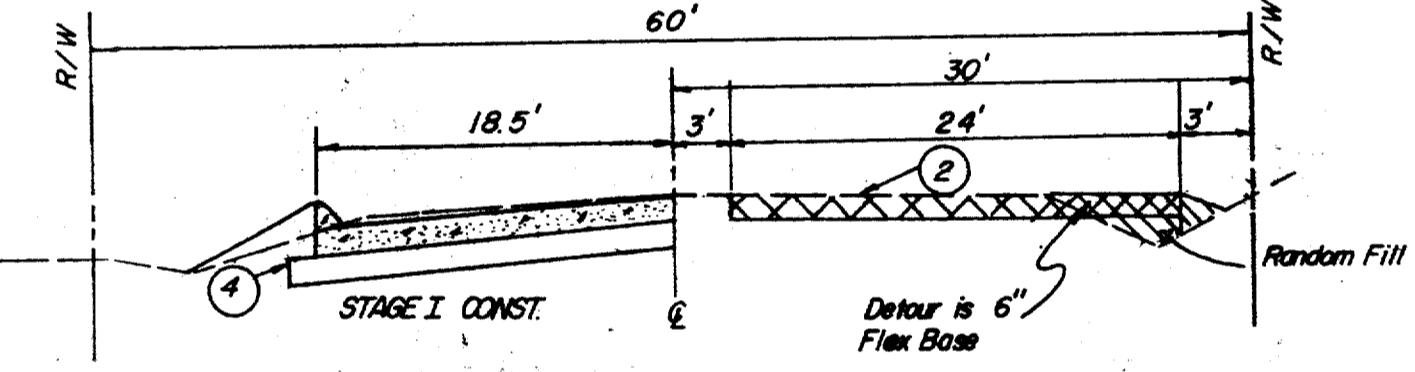


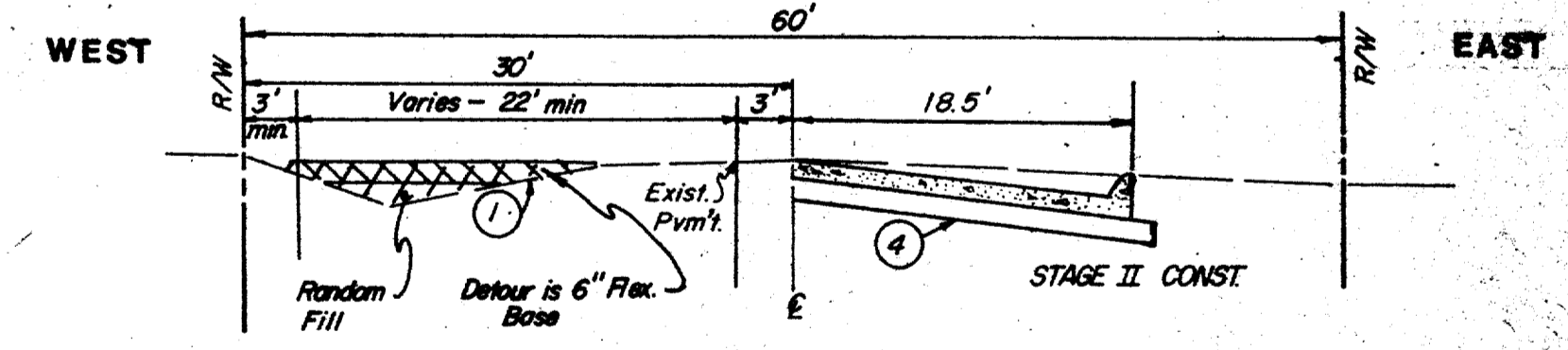
**DETOUR "A" (STAGE II)**  
N.T.S. Dooley Rd. North PAY ITEM 508.1



**DETOUR "B" (STAGE I)**  
N.T.S. Keller Springs Rd. PAY ITEM 508.2



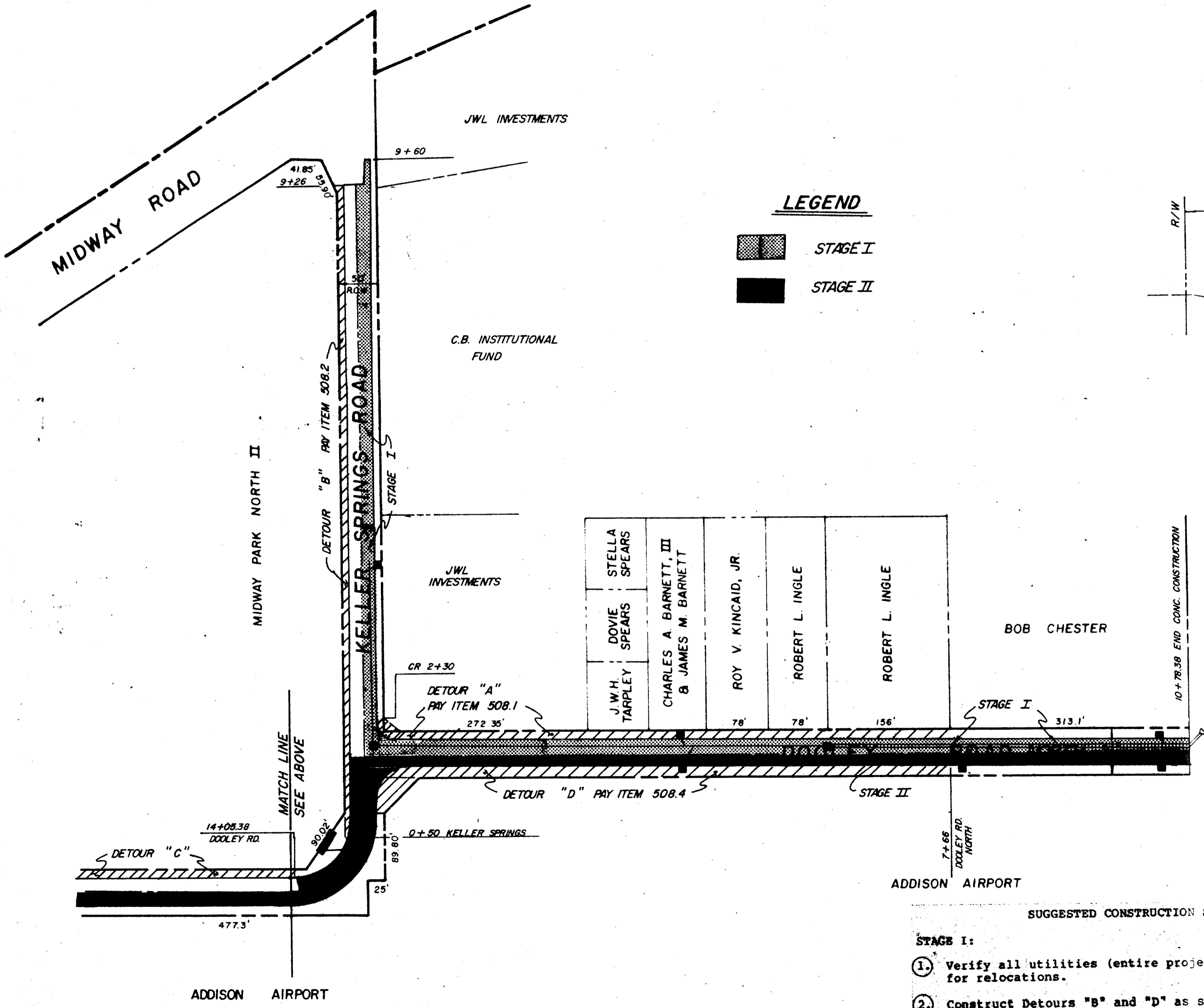
**DETOUR "D" (STAGE I)**  
N.T.S. Dooley Road North PAY ITEM 508.4



**DETOUR "C" (STAGE II)**  
N.T.S. Dooley Rd. PAY ITEM 508.3

**LEGEND**

- STAGE I
- STAGE II

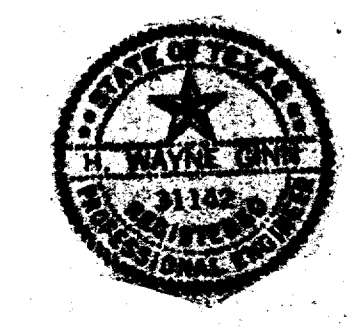


- (cont'd.)
3. Construct (North) storm sewer system Keller Springs Road from center line Dooley Road North to end.
  4. Construct concrete pavement (north) half Keller Springs Road (18.5' - b.c.) and (west) half Dooley Road North (18.5' - b.c.), with the exception of the curb and gutter section from Sta. 0+18.5 to Sta. 7+66, which will be constructed during Stage III (with the abandonment of Detour "A" and the construction of the inlet at Sta. 8+39).

- STAGE II:**
1. Construct Detours "C" and "A" as shown above.
  2. Switch two-way traffic onto Detours "C" and "A" and switch westbound traffic onto new concrete pavement Keller Springs Road, maintaining eastbound traffic on Detour "B". Also abandon and remove Detour "D".
  3. Complete (east) storm sewer Dooley Road North; construct entire storm sewer system Dooley Road paving Sta. 14+05 to Sta. 15+00 and Keller Springs paving Sta. 0+37.54 to Sta. 1+82. Construct (east) storm sewer system Dooley Road.
  4. Complete concrete pavement (east) half Dooley Road North (18.5' - b.c.), construct complete (37' - b.b.) concrete pavement Dooley Road Sta. 14+05.38 to Sta. 15+00 and Keller Springs road Sta. 0+37.54 to Sta. 1+82. Construct concrete pavement (east) half Dooley Road (18.5' - b.c.) Sta. 3+03 to Sta. 14+05.38 and (west) half Dooley Road Sta. 0-20.8 to Sta. 2+03.

**SUGGESTED CONSTRUCTION SEQUENCE**

- STAGE I:**
1. Verify all utilities (entire project), arrange for relocations.
  2. Construct Detours "B" and "D" as shown above.
  3. Switch two-way traffic onto Detours "B" and "D"; construct (west) storm sewer system Dooley Road North, with the exception of the inlet at Sta. 8+39, which will be constructed during Stage III (with the abandonment of Detour "A" and the construction of the curb and gutter section).



TOWN OF ADDISON DALLAS COUNTY, TEXAS			
KELLER SPRINGS/DOOLEY RD. IMPROVEMENTS			
CONSTRUCTION SEQUENCE			
GINN, INC.			
Consulting Engineers Dallas, Texas			
Designed - JCK	Drawn - RLO	Date - JUNE, 1985	Job No. - 260
Approved - RMS	Checked - JCK	Scale - 1" = 100'	Sheet - 5 OF 5