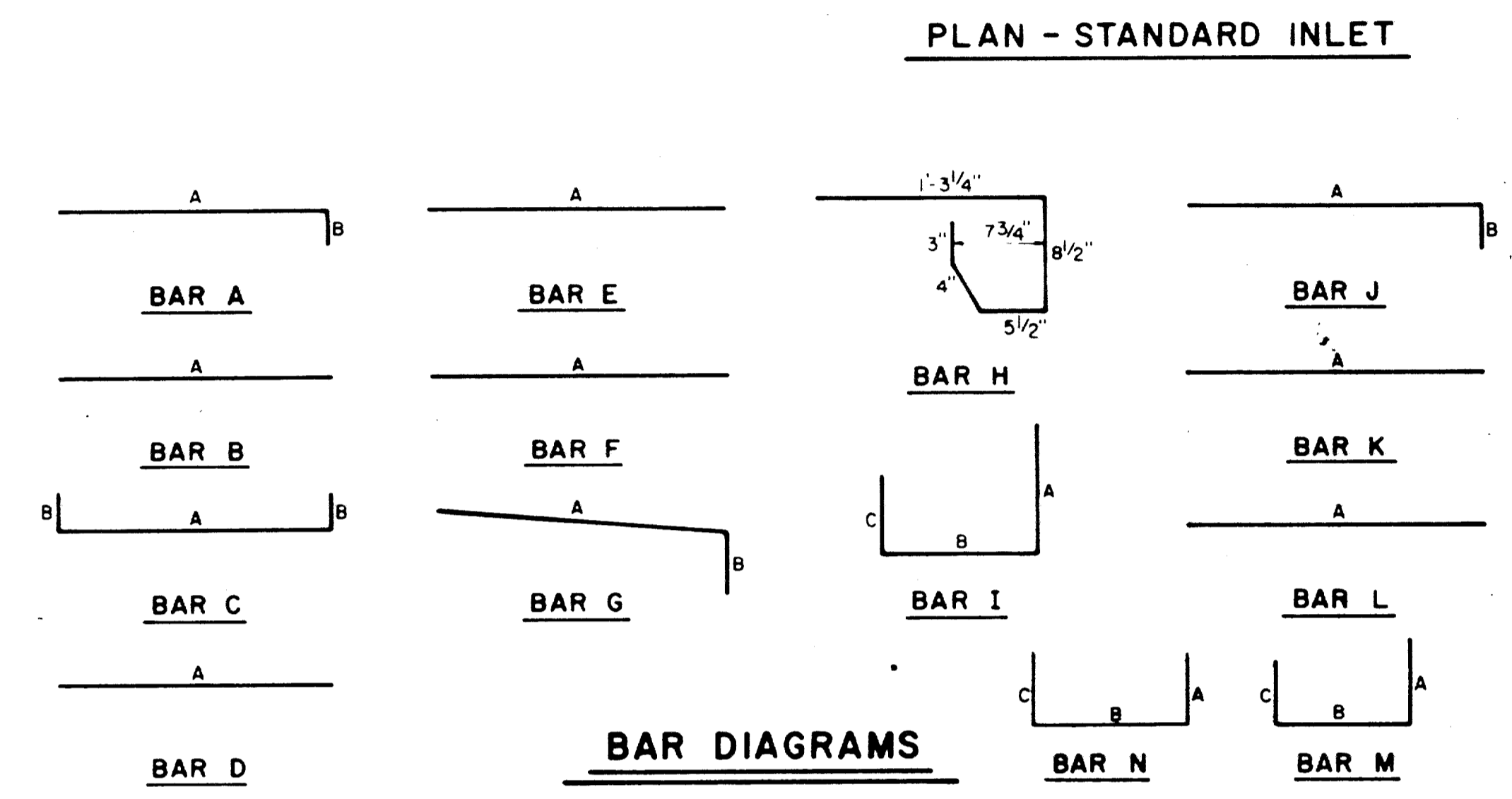


**SECTION A-A-RECESSED AND STANDARD INLETS**  
5, 6, 8, 10, 12, AND 14 FOOT INLETS

**INLET NOTE:**  
WHERE INLETS ARE INDICATED TO BE MODIFIED, REFER TO PLAN/PROFILE SHEETS FOR ELEV. DIFFERENT SIZES ON MODIFICATIONS. ALL OTHER ITEMS SHALL REMAIN AS SHOWN ON THIS STANDARD DETAIL SHEET.

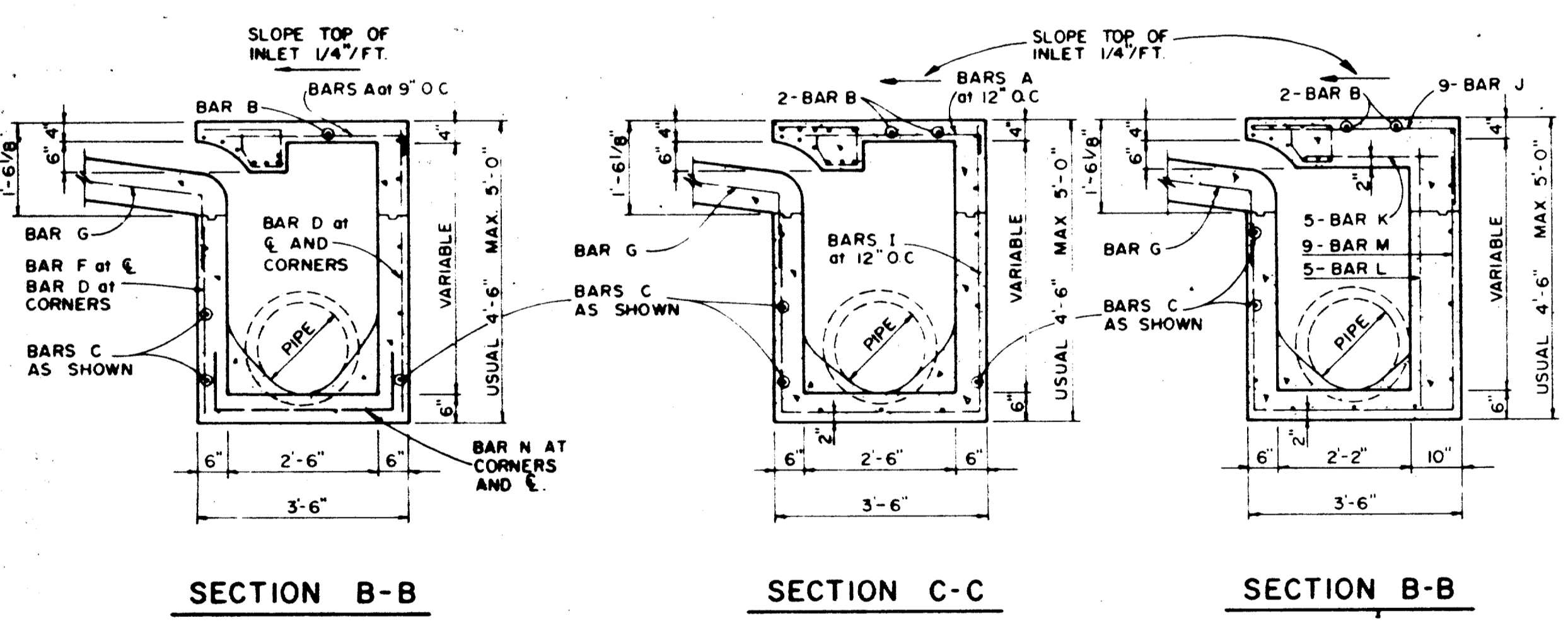


**REINFORCING STEEL SCHEDULE**

DIMENSIONS SHOWN ARE FOR MAXIMUM SIZE INLETS

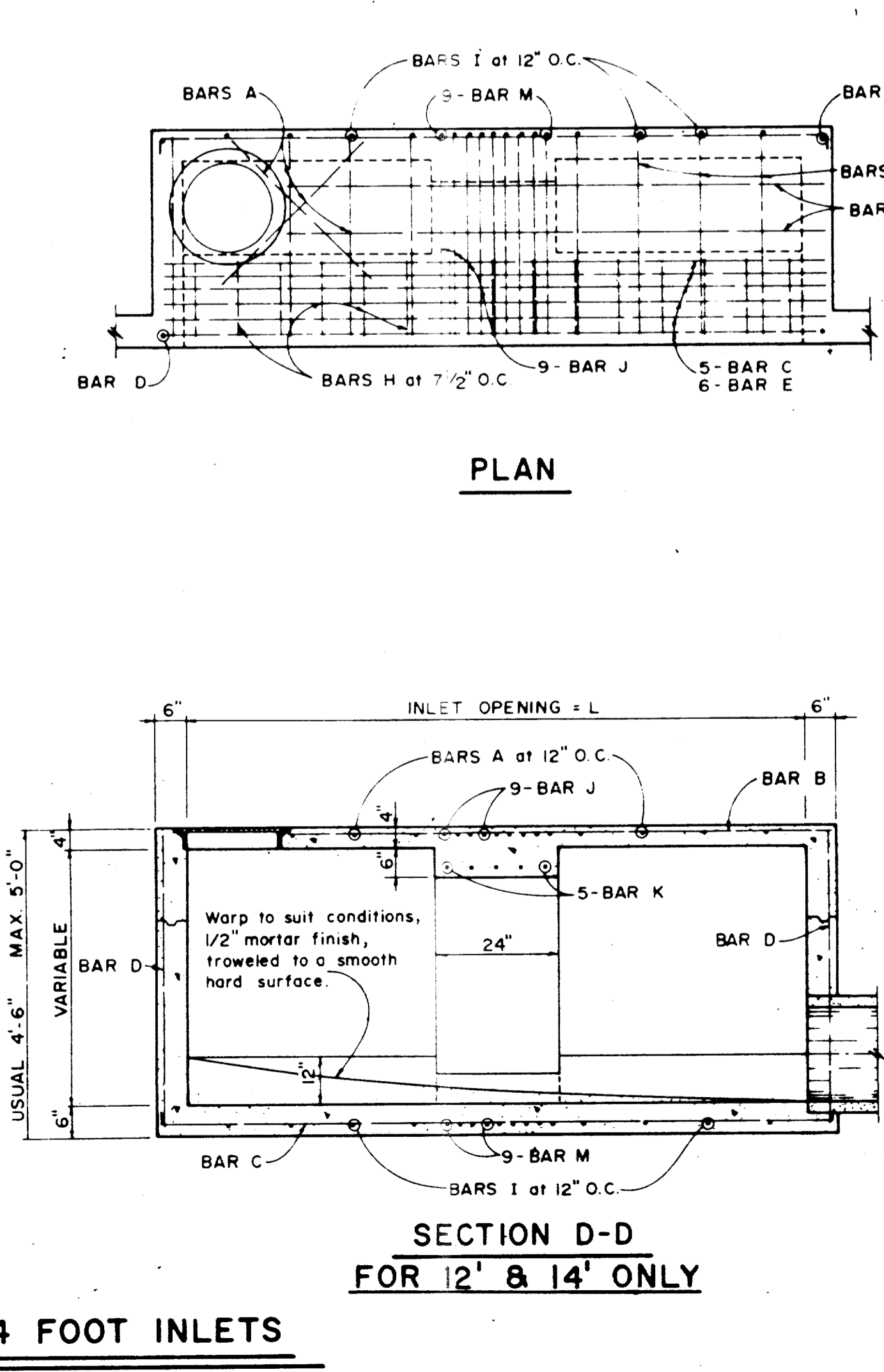
INLET LENGTH	BAR TYPE	BAR DIA. (1/8 IN.)	NO. REQ'D	BAR DIMENSIONS		
				A	B	C
4	A	3	6	3'-2"	0'-3"	-
	B	3	1	2'-10"	-	-
	C	4	15	4'-8"	0'-6"	-
	D	4	5	4'-8"	-	-
	F	4	1	3'-2"	-	-
	G	3	5	2'-0"	1'-3"	-
	H	3	3	*	*	*
	N	3	3	3'-2"	3'-2"	3'-2"
	A	3	9	3'-2"	0'-3"	-
6	B	3	1	4'-10"	-	-
	C	4	15	6'-8"	0'-6"	-
	D	4	5	4'-8"	-	-
	F	4	1	3'-2"	-	-
	G	3	5	2'-0"	1'-3"	-
	H	3	3	*	*	*
	N	3	3	3'-2"	3'-2"	3'-2"
	A	3	12	3'-2"	0'-3"	-
	B	3	1	6'-10"	-	-
	C	4	15	8'-8"	0'-6"	-
	D	4	5	4'-8"	-	-
	F	4	1	3'-2"	-	-
	G	3	5	2'-0"	1'-3"	-
	H	3	4	*	*	*
	N	3	3	3'-2"	3'-2"	3'-2"
10	A	3	10	3'-2"	0'-3"	-
	B	3	2	8'-10"	-	-
	C	4	16	10'-8"	0'-6"	-
	D	4	4	4'-8"	-	-
	E	5	6	10'-8"	-	-
	G	3	5	2'-0"	1'-3"	-
	H	3	15	*	*	*
	I	4	8	4'-8"	3'-2"	3'-2"
	L	4	5	4'-3"	-	-
12	A	3	12	3'-2"	0'-3"	-
	B	3	2	10'-10"	-	-
	C	4	16	12'-8"	0'-6"	-
	D	4	4	4'-8"	-	-
	E	5	6	12'-8"	-	-
	G	3	5	2'-0"	1'-3"	-
	H	3	18	*	*	*
	I	4	10	4'-8"	3'-2"	3'-2"
	J	5	9	3'-2"	1'-3"	-
	K	4	5	2'-3"	-	-
	L	4	5	4'-3"	-	-
	M	5	9	4'-3"	3'-2"	3'-9"
14	A	3	14	3'-2"	0'-3"	-
	B	3	2	10'-10"	-	-
	C	4	16	14'-8"	0'-6"	-
	D	4	4	4'-8"	-	-
	E	5	6	14'-8"	-	-
	G	3	5	2'-0"	1'-3"	-
	H	3	21	*	*	*
	I	4	12	4'-8"	3'-2"	3'-2"
	J	5	9	3'-2"	1'-3"	-
	K	4	5	2'-3"	-	-
	L	4	5	4'-3"	-	-
	M	5	9	4'-3"	3'-2"	3'-9"

\* SEE DIAGRAM FOR DIMENSIONS



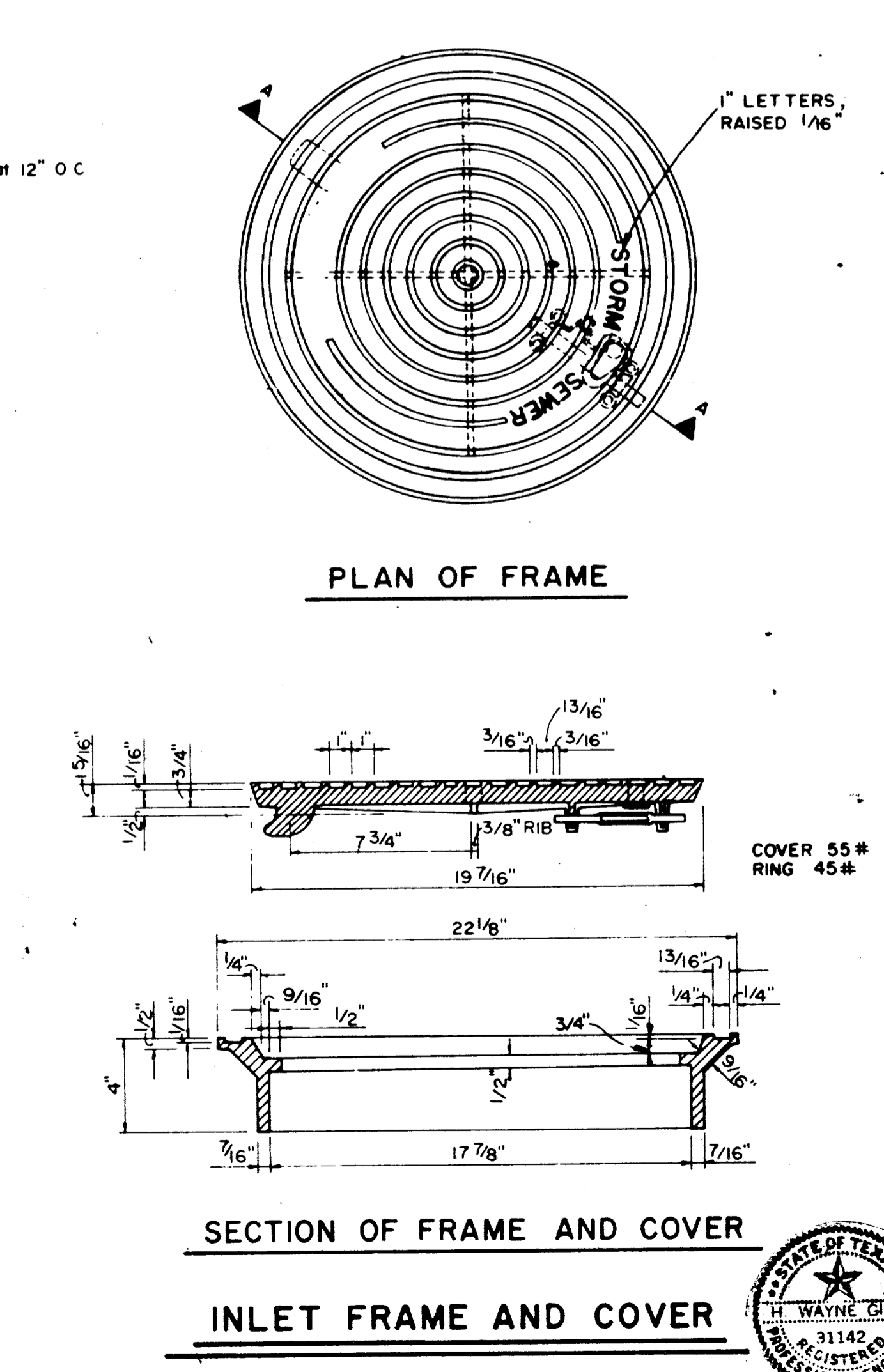
**SECTION B-B**  
**SECTION C-C**  
**SECTION B-B**  
**SECTION C-C**  
**SECTION C-C**  
**SECTION C-C**

5, 6, AND 8 FOOT INLETS



**PLAN**  
**SECTION D-D FOR 12' & 14' ONLY**

10, 12, AND 14 FOOT INLETS



**PLAN OF FRAME**  
**SECTION OF FRAME AND COVER**  
**INLET FRAME AND COVER**

NO. \_\_\_\_\_ REVISION \_\_\_\_\_ BY \_\_\_\_\_ DATE \_\_\_\_\_

TOWN OF ADDISON, TEXAS  
DEPARTMENT OF ENGINEERING

**STANDARD CONSTRUCTION DETAILS**  
**STORM DRAINAGE**

**CURB INLETS**

APPROVED \_\_\_\_\_ H. WAYNE GINN, P.E.  
DATE MARCH, 1984 \_\_\_\_\_ SHEET SD-9

