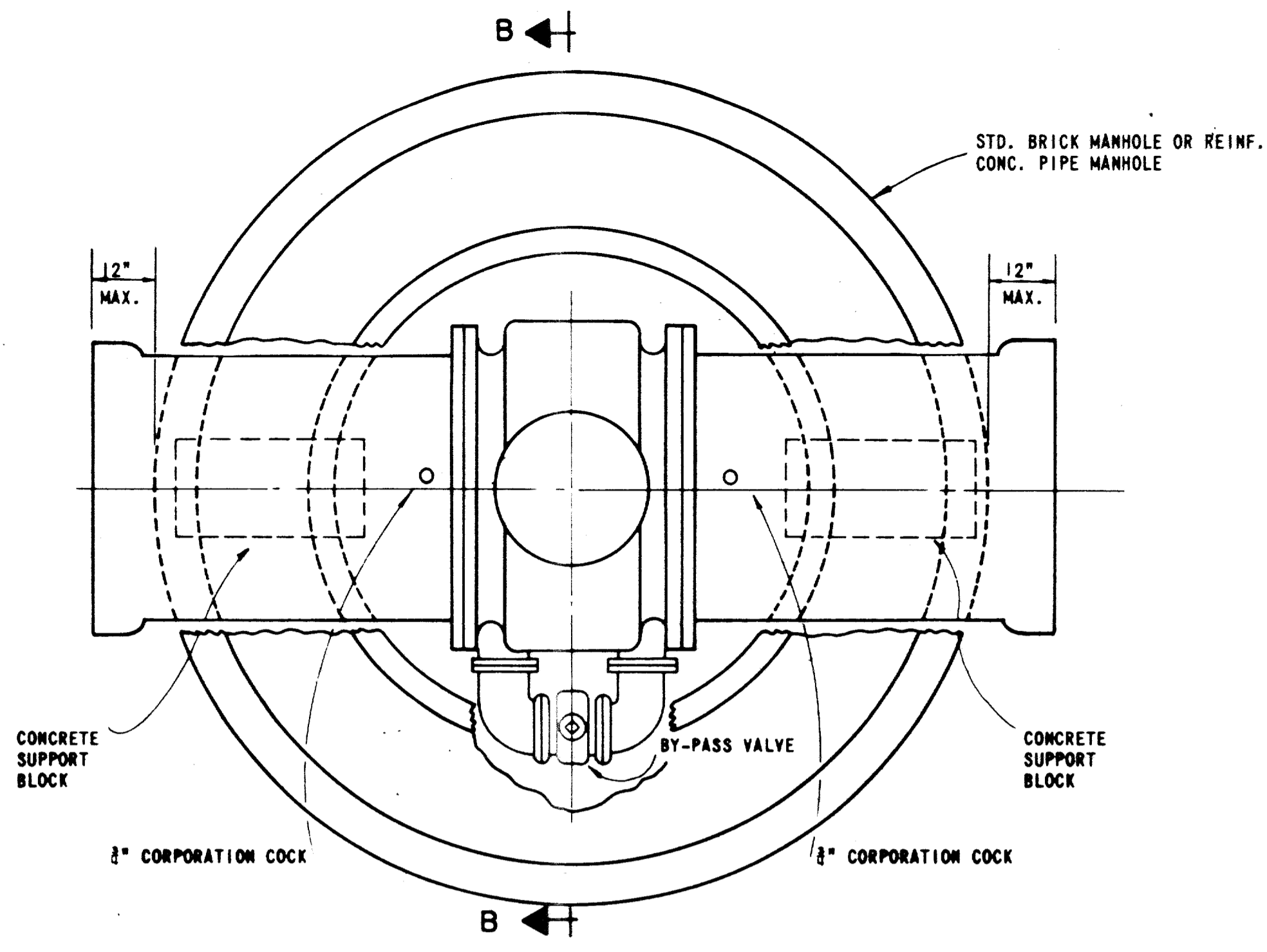
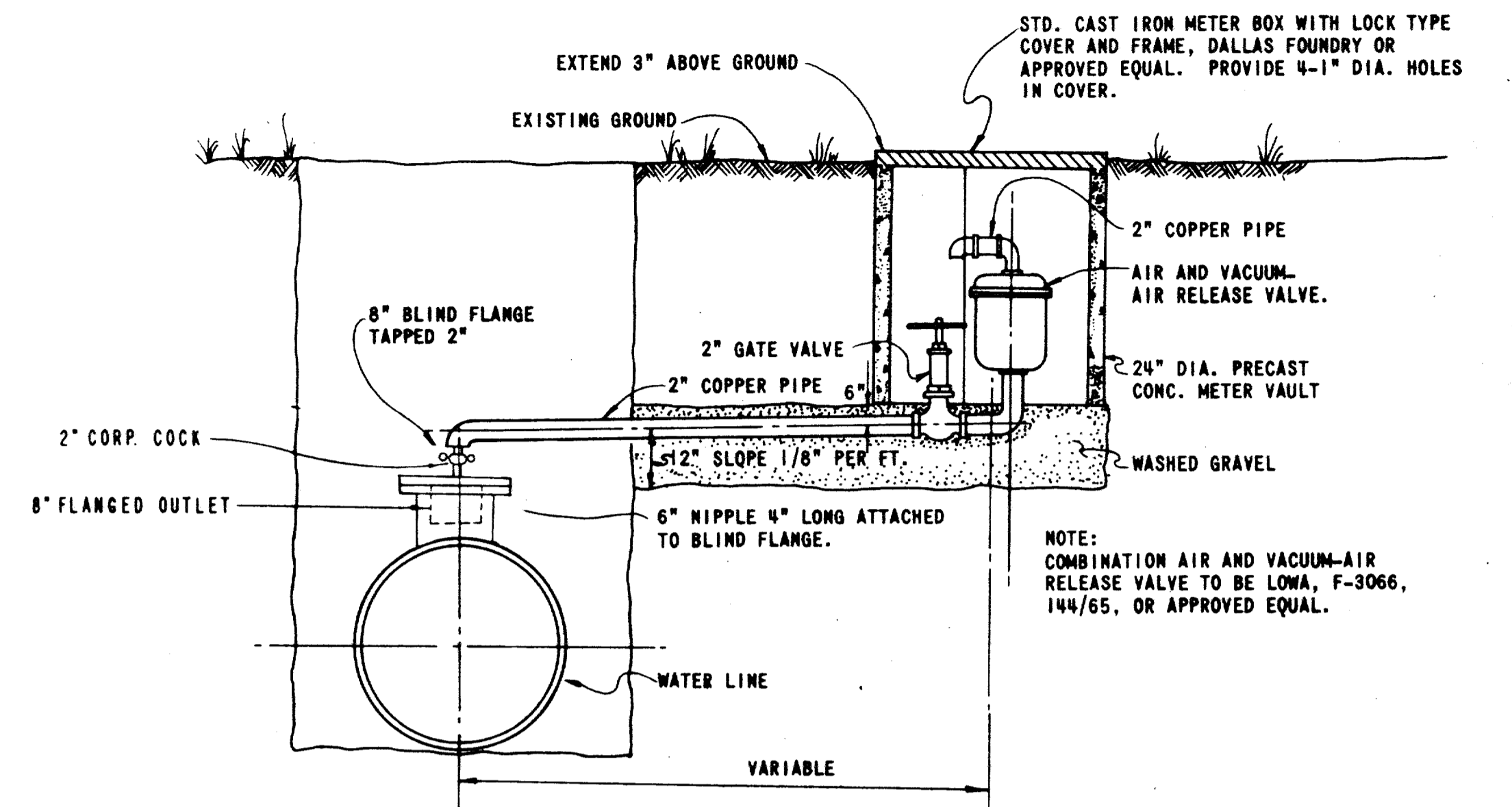


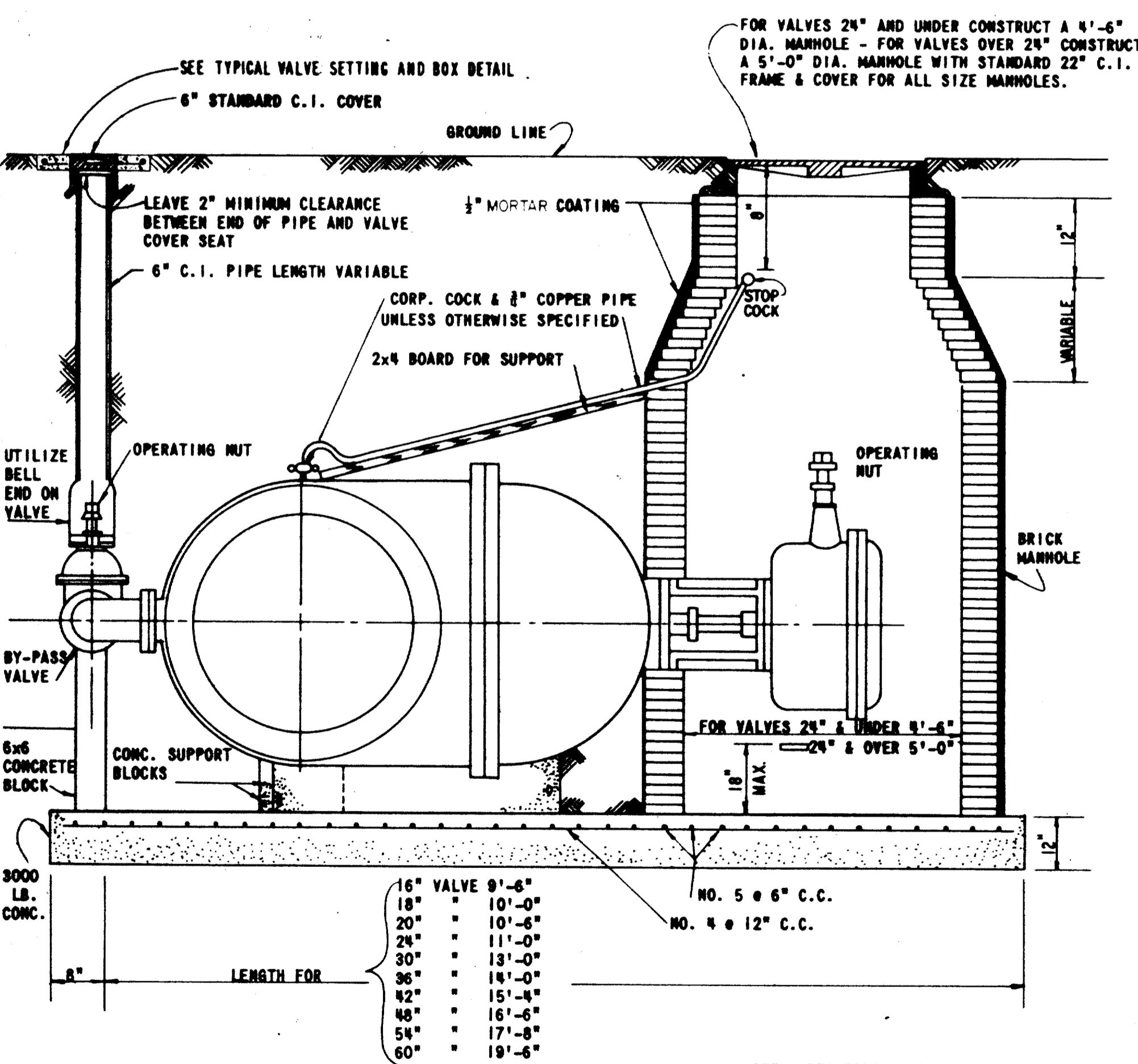
PLAN



PLAN

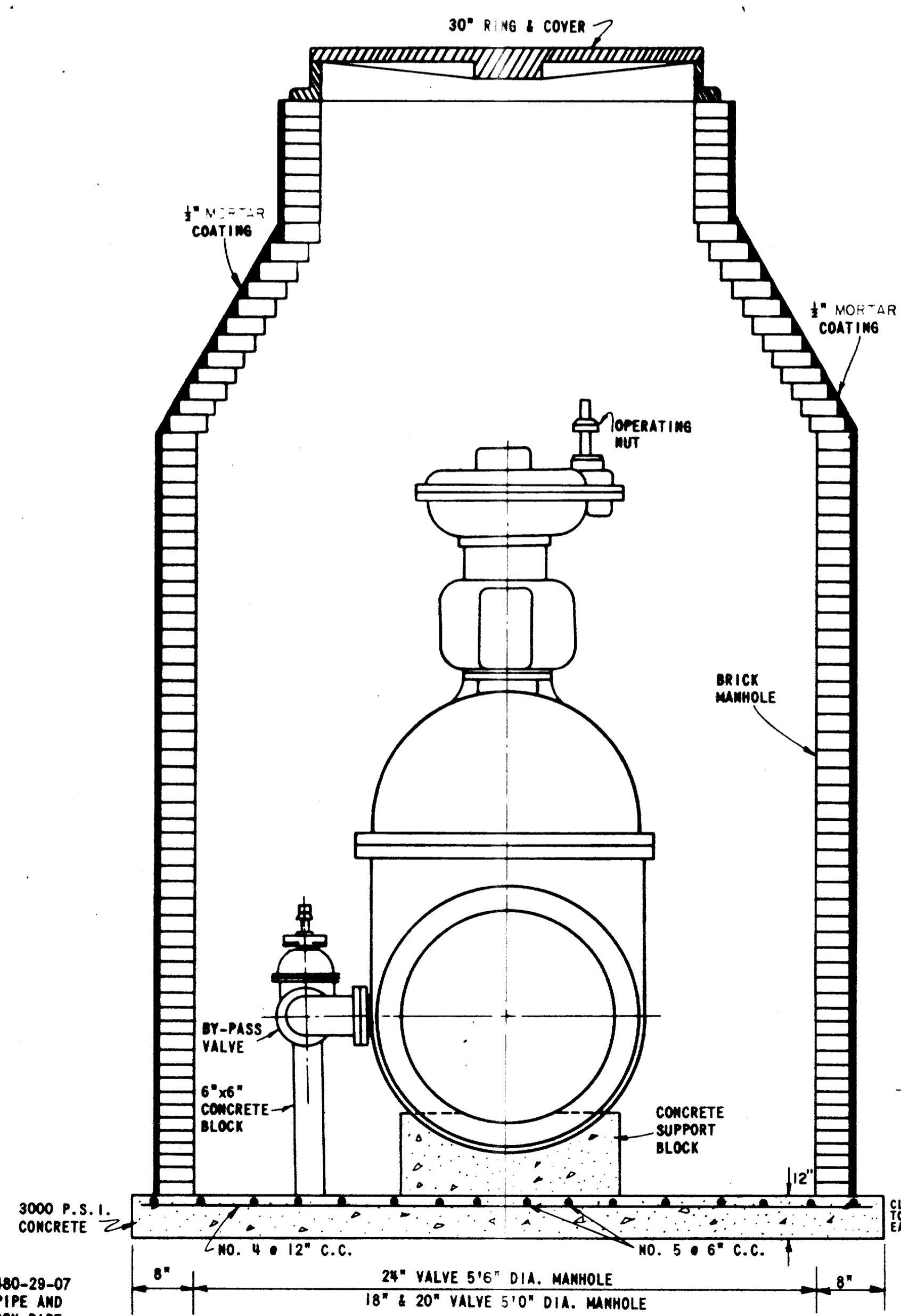


TYPICAL AIR AND VACUUM-AIR RELEASE VALVE INSTALLATION



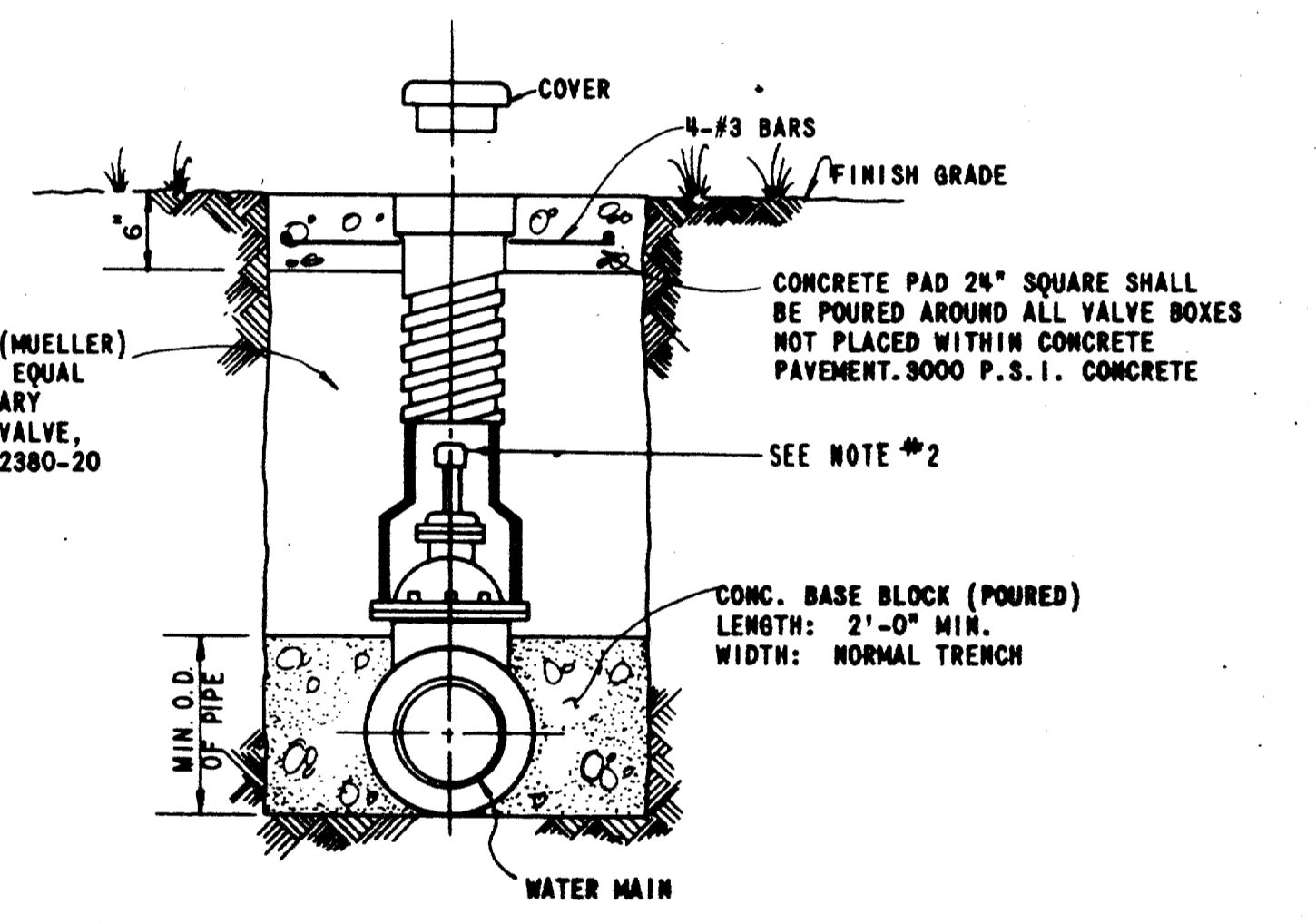
SECTION A-A

HORIZONTAL VALVE INSTALLATION



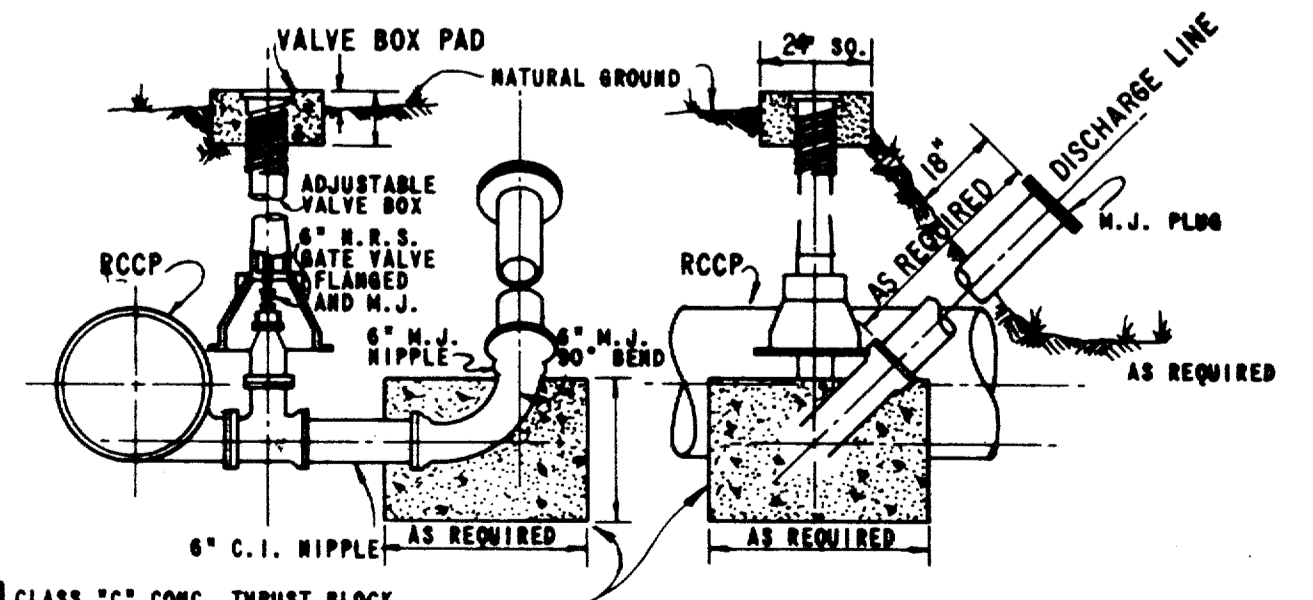
SECTION B-B

VERTICAL VALVE INSTALLATION



TYPICAL VALVE SETTING AND BOX

- NOTE:
- 6"-12" R.S. GATE VALVES SHALL BE IN ACCORDANCE WITH AWWA STANDARD C-500-80 OR LATEST THEREOF. ALL VALVES SHALL BE MUELLER A-2370 OR APPROVED EQUAL.
 - A PERMANENTLY ATTACHED VALVE EXTENSION STEM SHALL BE REQUIRED FOR ANY VALVE THATS OPERATING NUT IS LOCATED IN EXCESS OF 4 FEET BELOW THE TOP OF VALVE BOX. THIS EXTENSION SHALL BE OF SUFFICIENT LENGTH TO INSURE THAT ITS TOP IS WITHIN 4' OF VALVE BOX LID.



BLOW OFF VALVE DETAIL

LENGTH FOR	16" VALVE	18" VALVE	20" VALVE	24" VALVE	30" VALVE	36" VALVE	42" VALVE	48" VALVE	54" VALVE	60" VALVE
	10'-0"	10'-6"	11'-0"	13'-0"	14'-0"	15'-4"	16'-6"	17'-8"	19'-0"	19'-6"

NOTE: REINFORCING STEEL MAY BE OMITTED FOR VALVES 24" & UNDER.

VALVE SHALL BE MUELLER A-2480-29-07 FOR REINF. CONC. CYLINDER PIPE AND A-2480-20-07 FOR DUCTILE IRON PIPE OR APPROVED EQUAL.

NO.	REVISION	BY	DATE
TOWN OF ADDISON, TEXAS DEPARTMENT OF ENGINEERING			
STANDARD CONSTRUCTION DETAILS WATER			
VALVES			
APPROVED _____ H. WAYNE GINN, P.E.			
DATE MARCH, 1984		SHEET SD-15	

