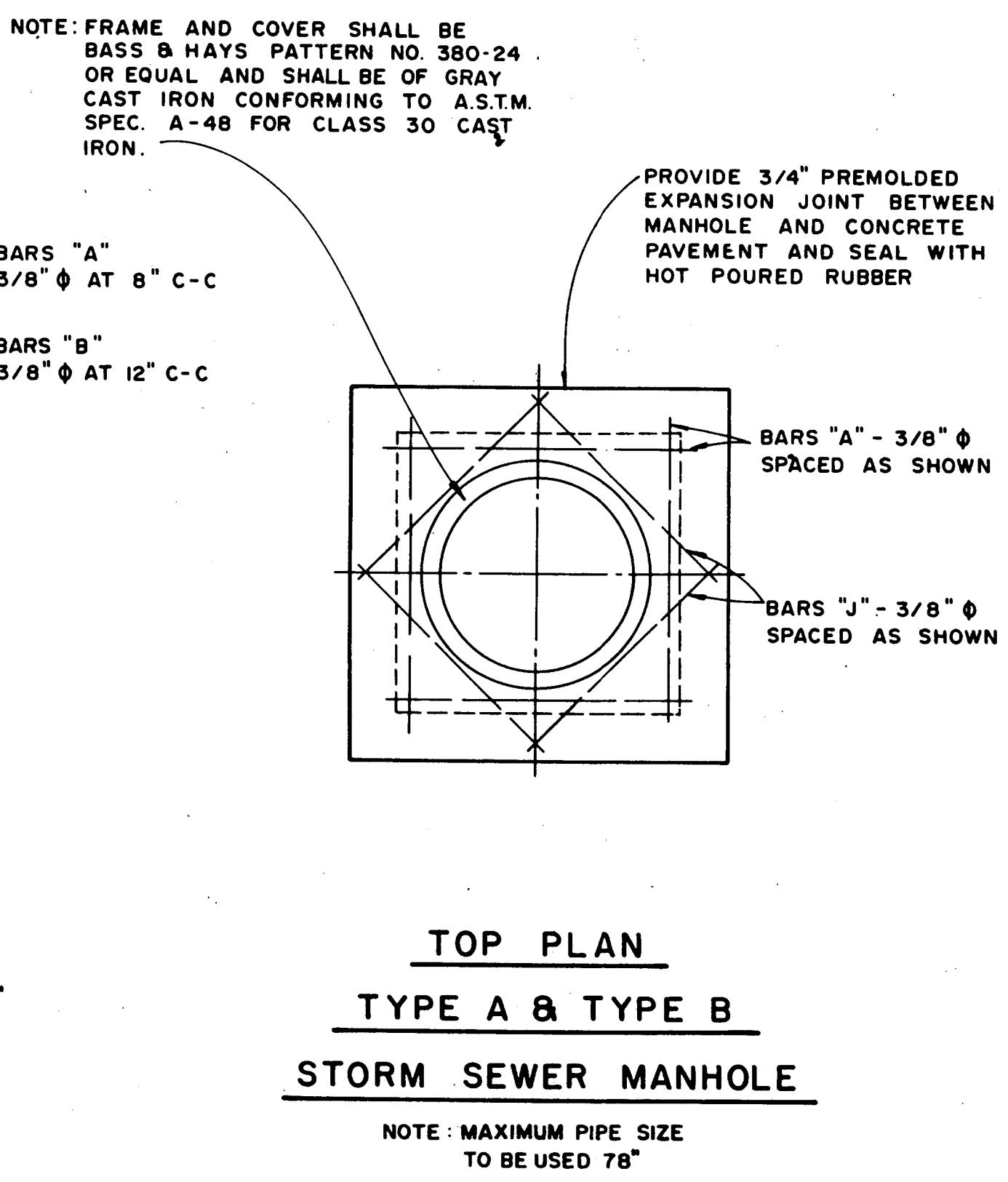
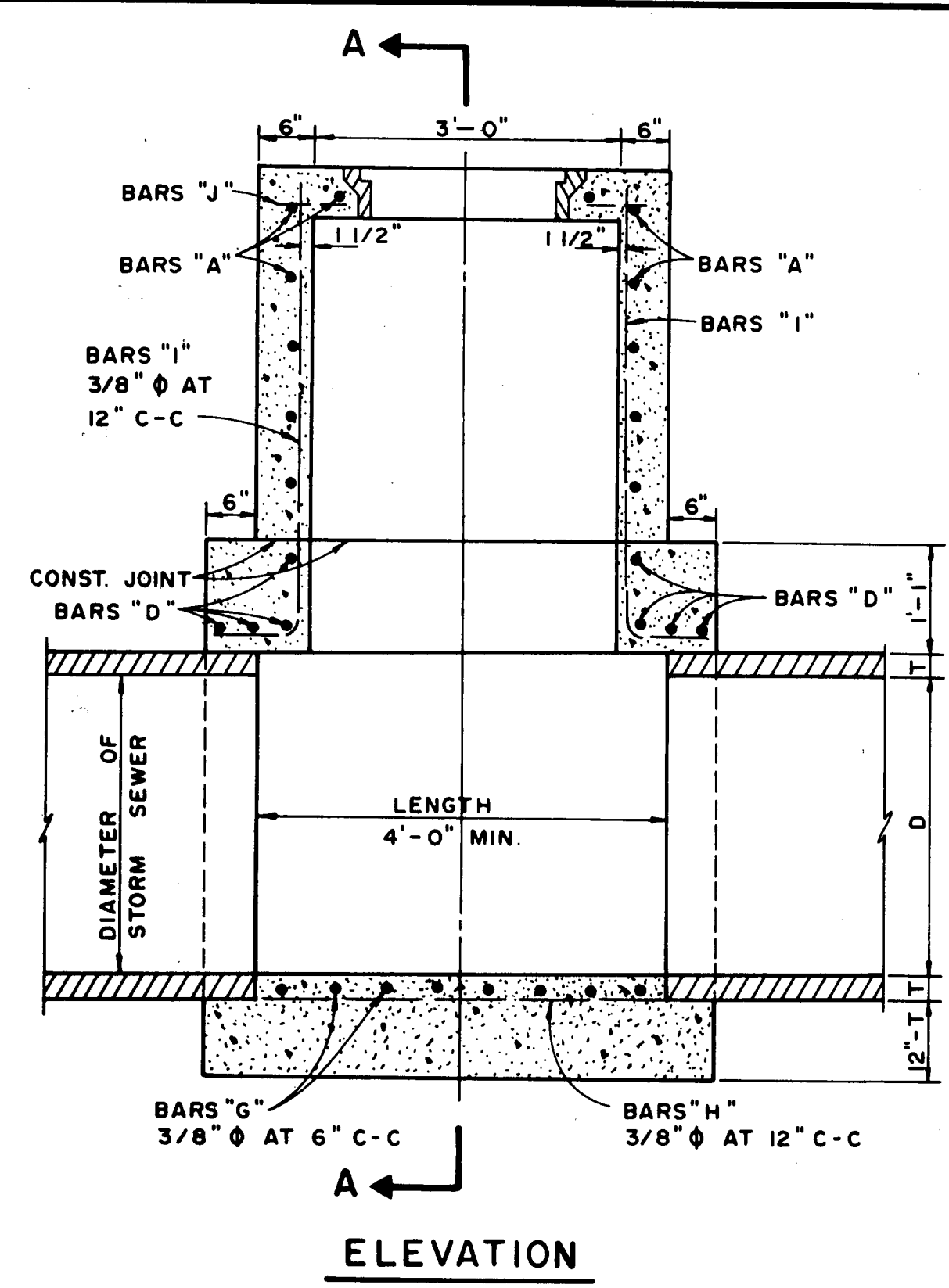


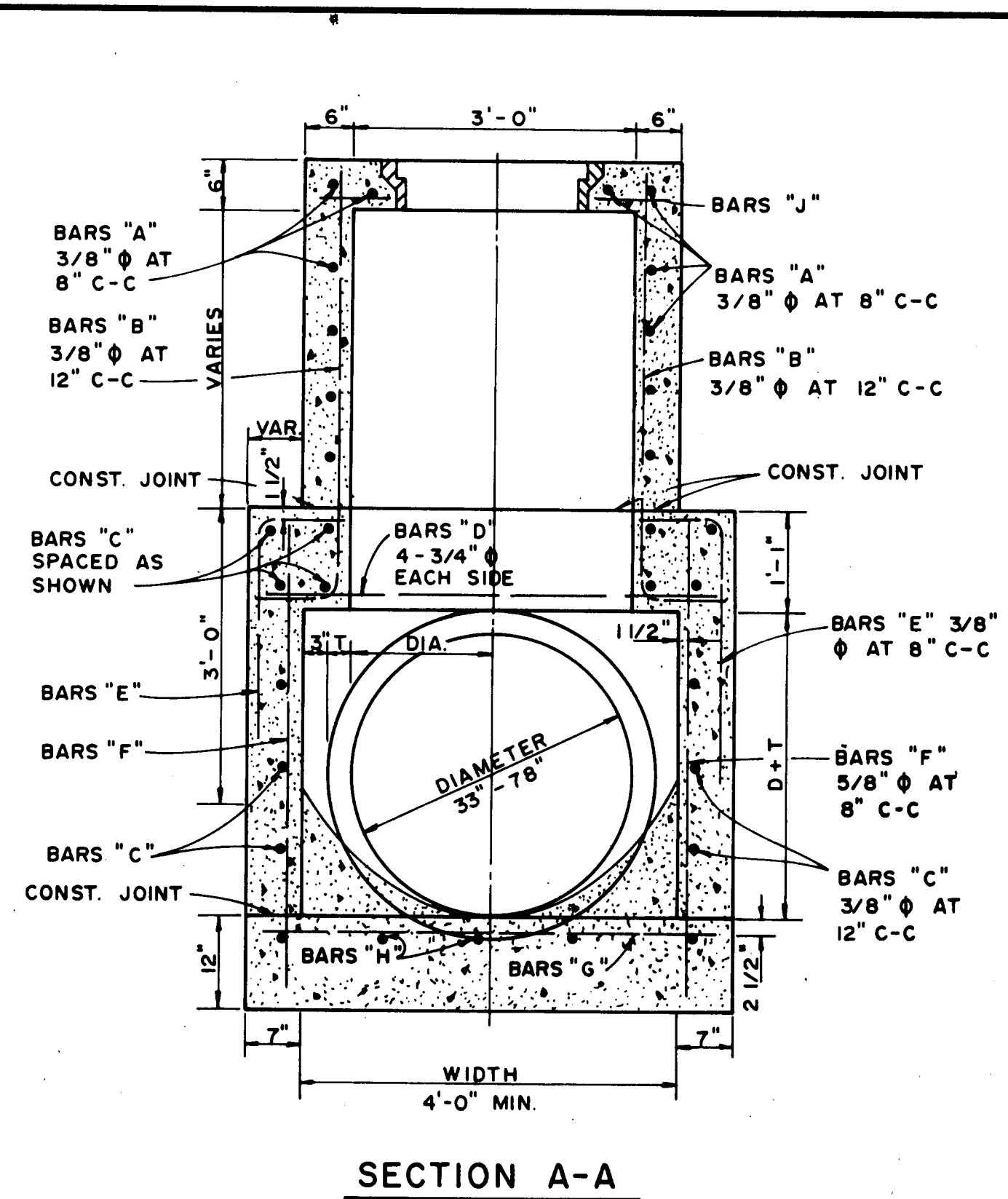
**TYPE A STORM SEWER MANHOLE**  
(FOR PIPE 18" TO 30" IN DIAMETER)



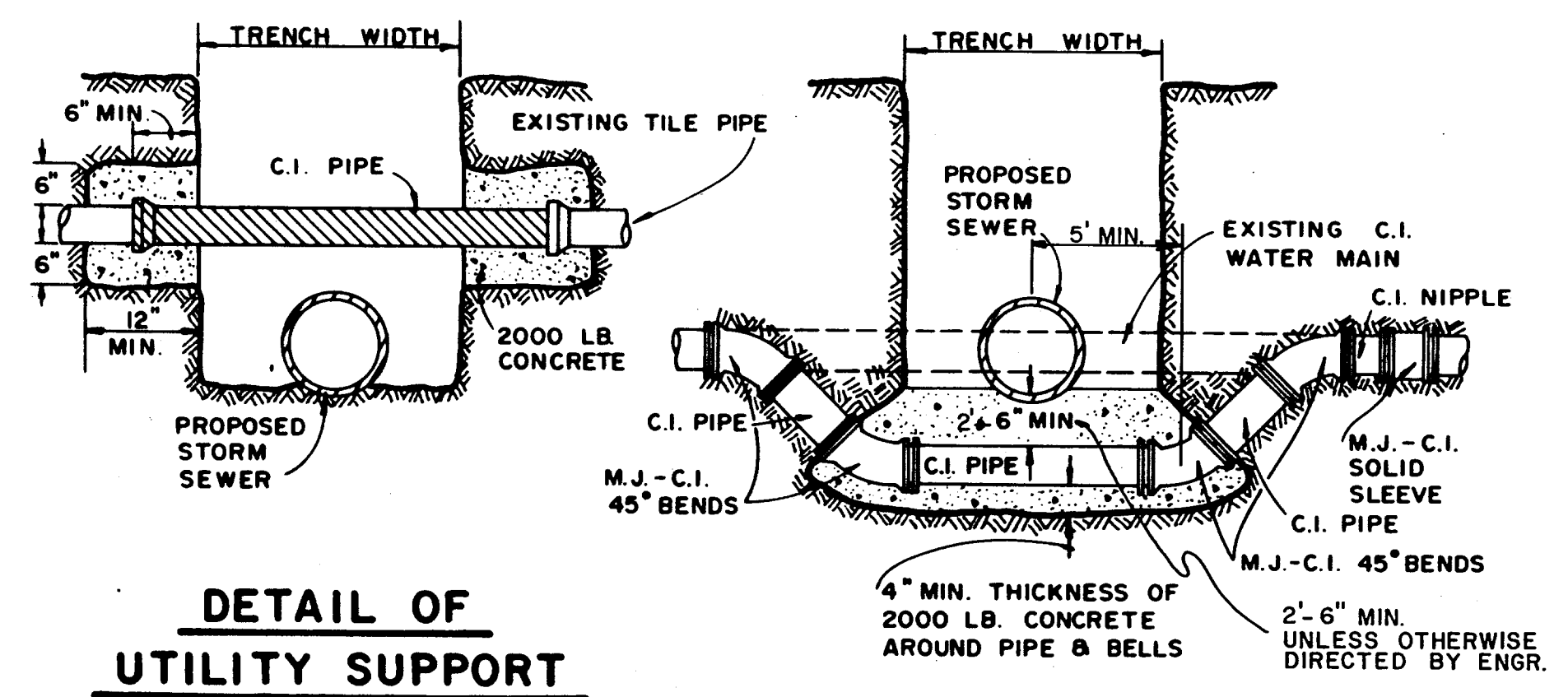
**TOP PLAN**  
**TYPE A & TYPE B**  
**STORM SEWER MANHOLE**  
NOTE: MAXIMUM PIPE SIZE TO BE USED 78"



**TYPE B STORM SEWER MANHOLE**  
(FOR PIPE 33" TO 78" IN DIAMETER)

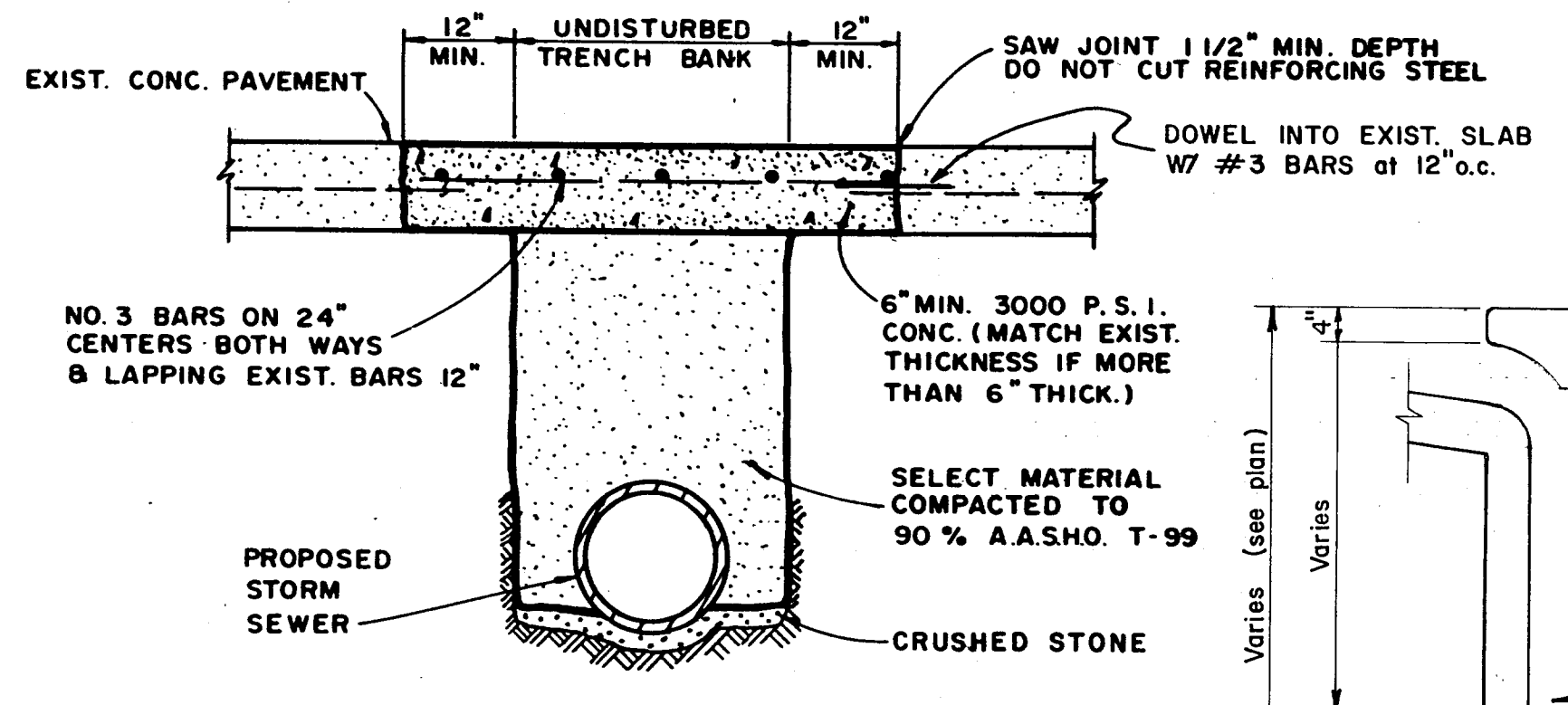


**SECTION A-A**

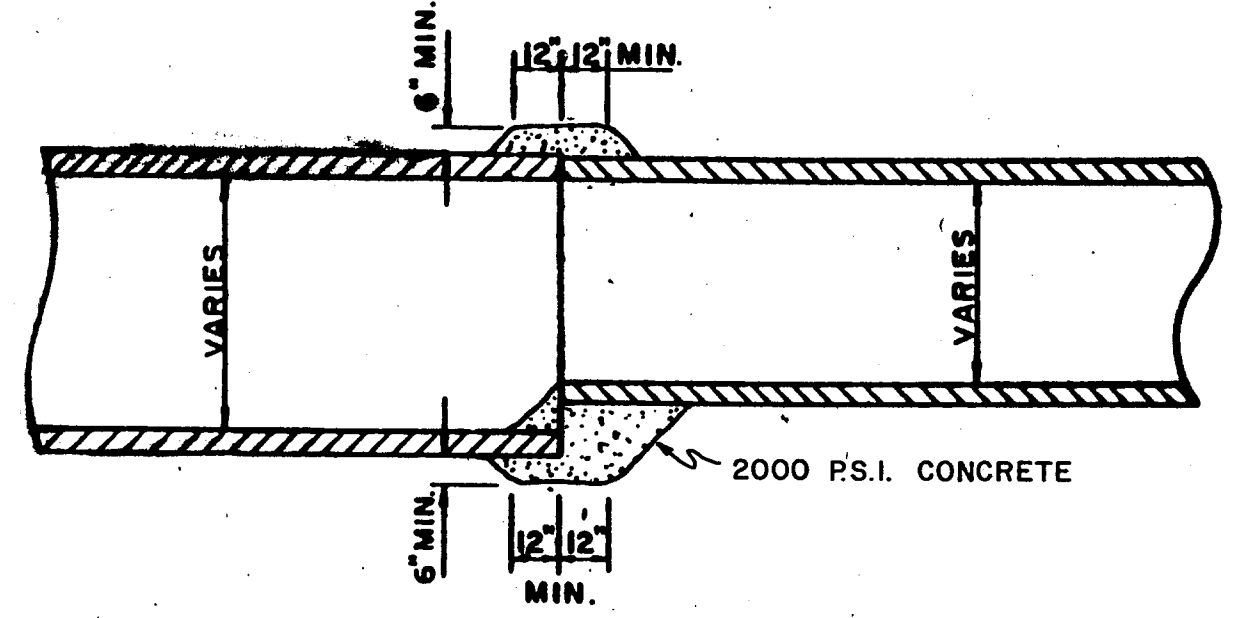


**DETAIL OF UTILITY SUPPORT**

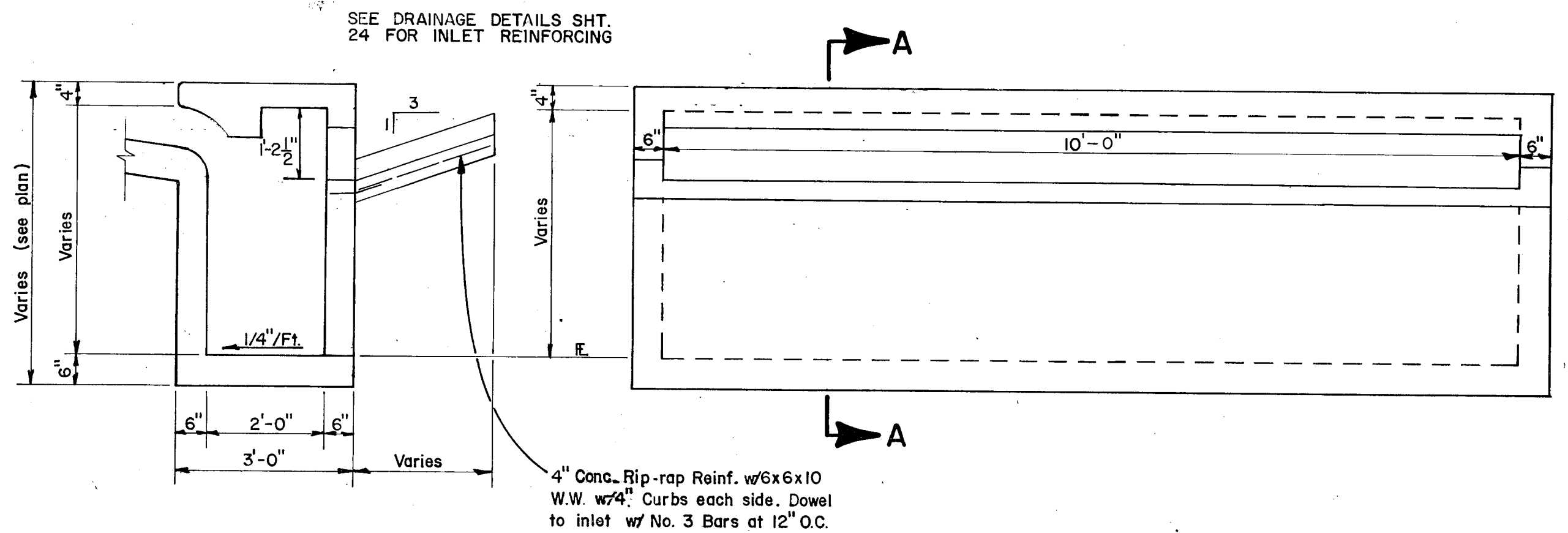
**DETAIL FOR WATER MAIN LOWERING**  
PAY ITEM 479.7



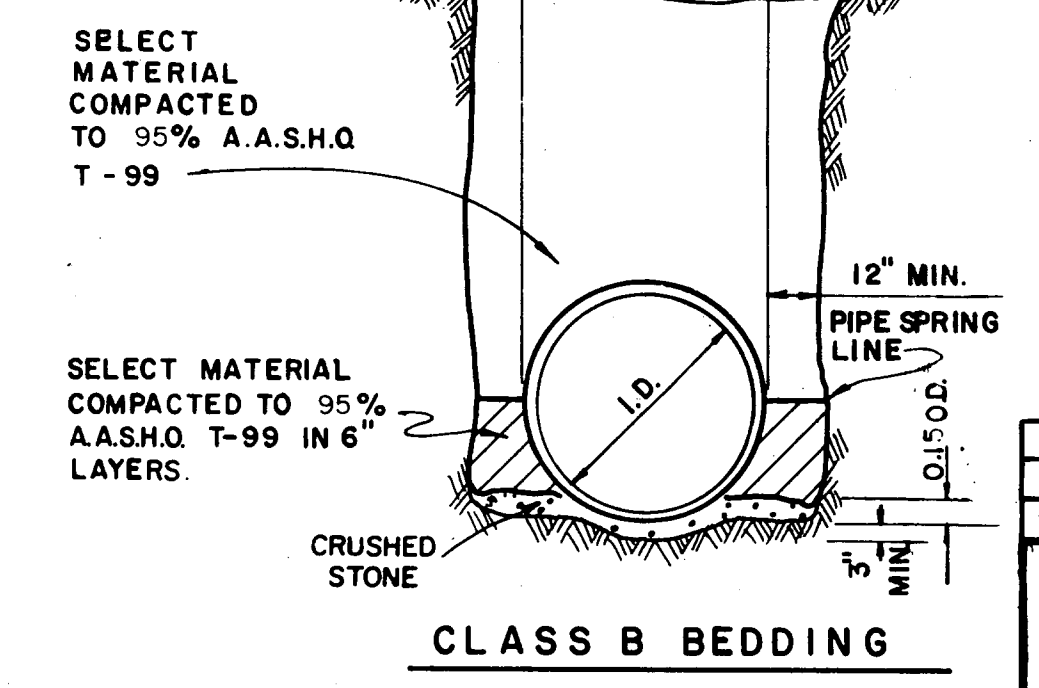
**CONCRETE STREET OR DRIVEWAY REPAIR**



**DETAIL OF CONCRETE COLLAR FOR PIPE CONNECTIONS**



**SECTION A-A**  
**MODIFIED CURB INLET WITH FLUME**  
PAY ITEM 470.21



**STORM SEWER PIPE BEDDING DETAIL**

NOTE: IF ROCK ENCOUNTERED IN TRENCH BOTTOM, OVEREXCAVATE TRENCH A MINIMUM 8" AND BED PIPE IN GRAVEL OR CRUSHED STONE. IF JETTED SAND IS USED IN BACKFILL ABOVE SPRING LINE OF CORRUGATED METAL PIPE THE SAND SHALL BE COMPLETELY DRAINED AND TESTED FOR 90% DENSITY PRIOR TO ANY BACKFILL OVER PIPE.



NO.	REVISION	BY	DATE
TOWN OF ADDISON, TEXAS DEPARTMENT OF ENGINEERING			
<b>STANDARD CONSTRUCTION DETAILS</b> <b>STORM DRAINAGE</b>			
<b>MANHOLES</b>			
APPROVED _____ H. WAYNE GINN, P.E.			
DATE MARCH, 1984		SHEET SD-8	