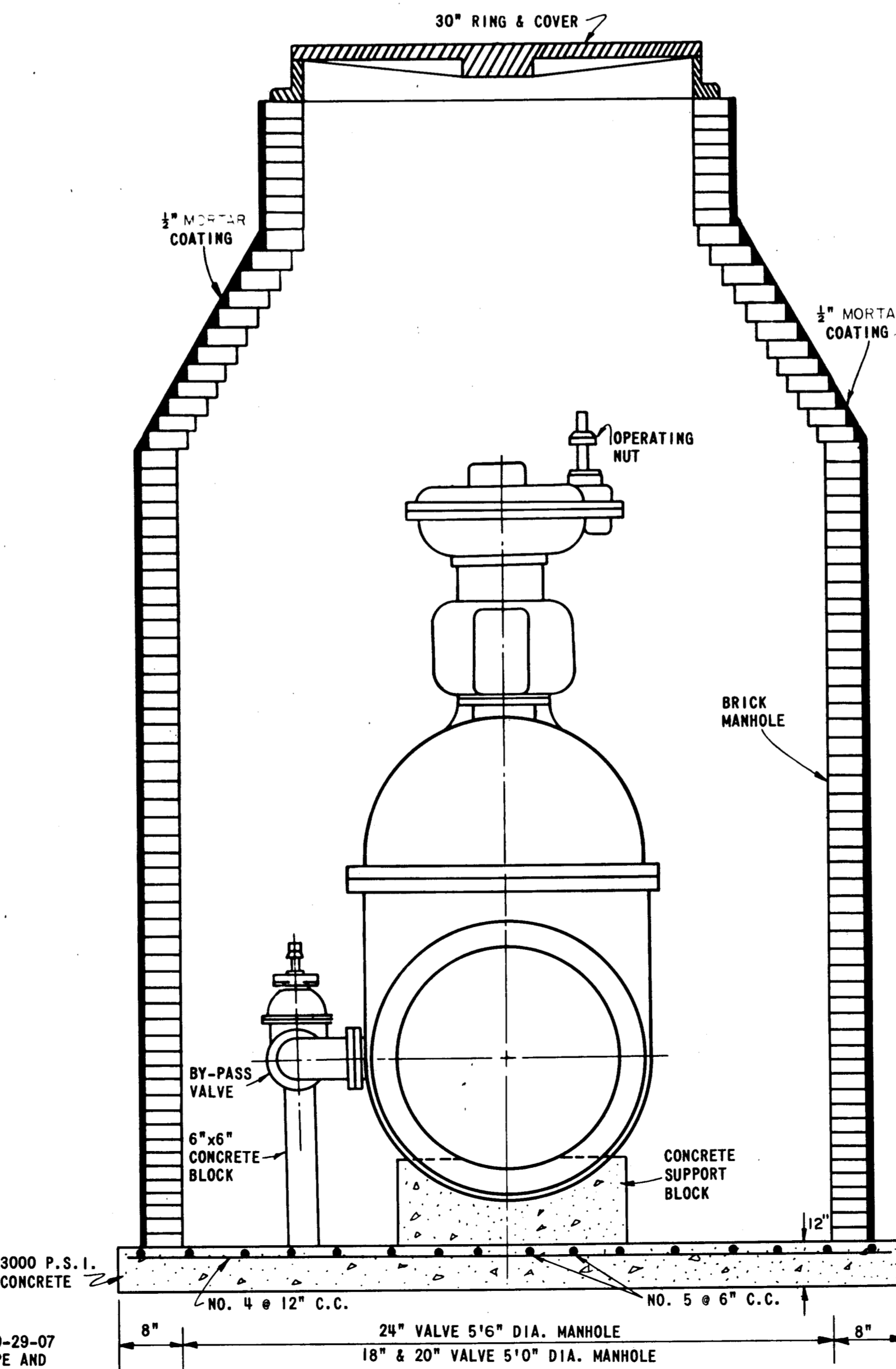
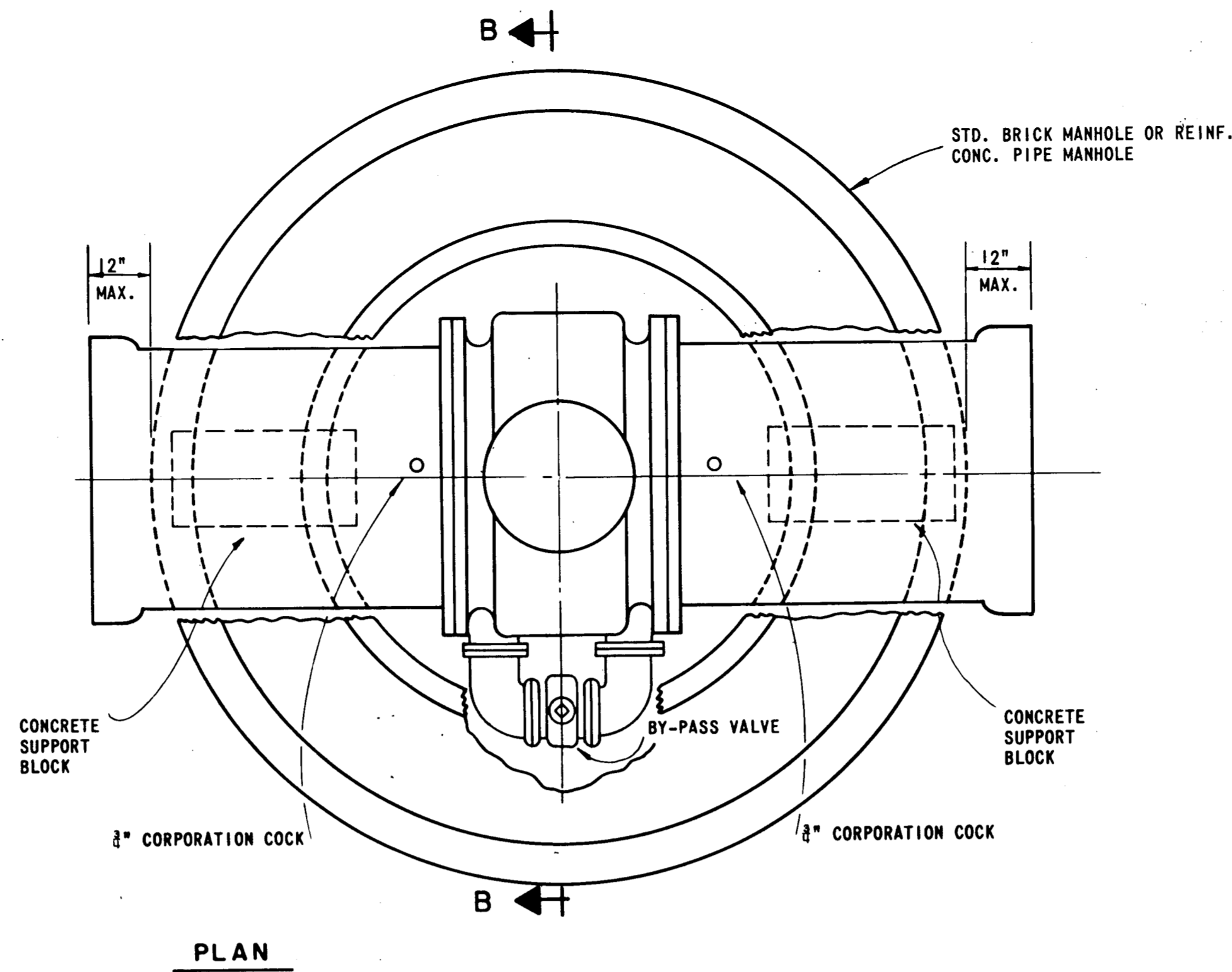
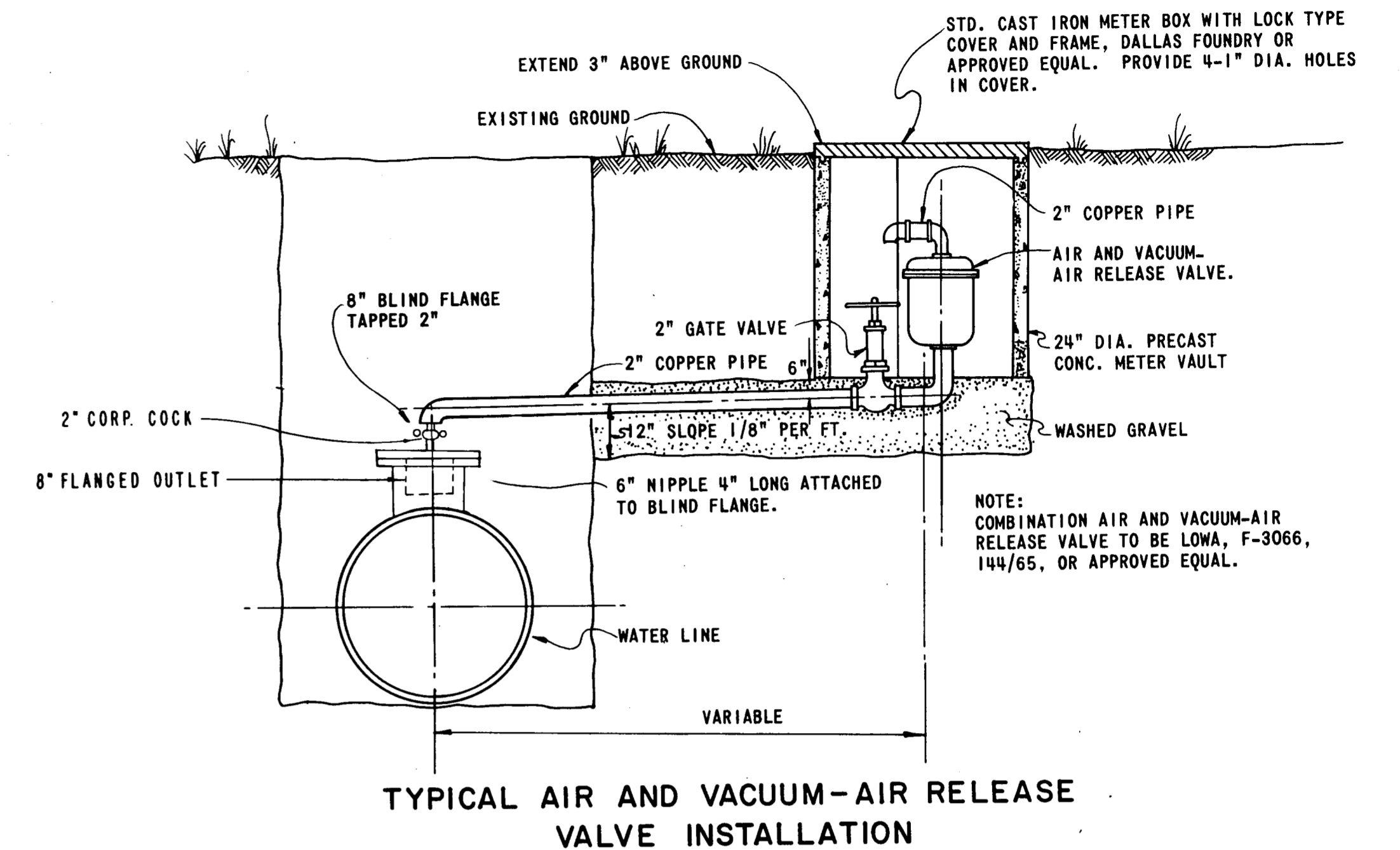


**SECTION A-A**  
**HORIZONTAL VALVE INSTALLATION**

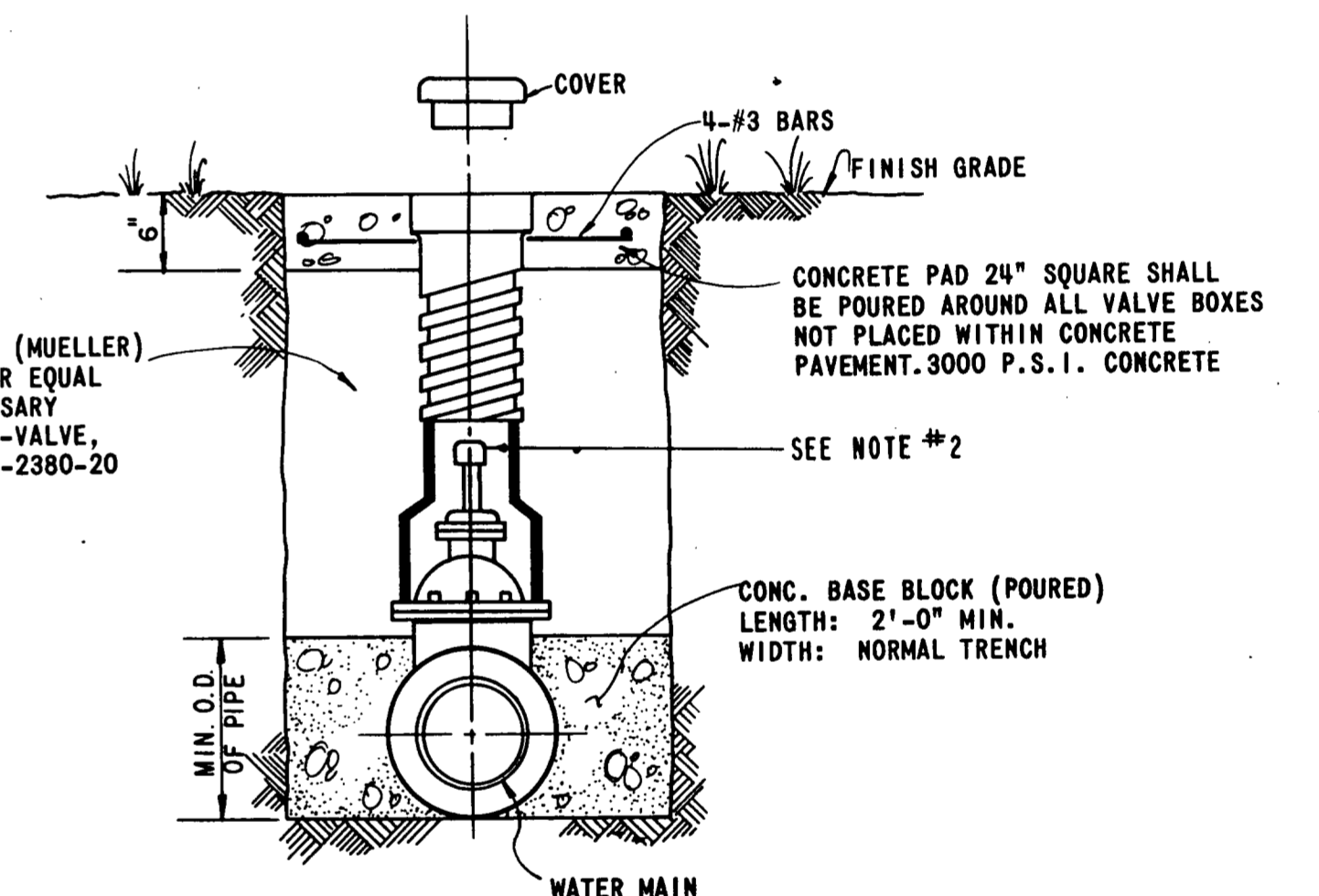
VALVE SHALL BE MUELLER A-2480-29-07 FOR REINF. CONC. CYLINDER PIPE AND A-2480-20-07 FOR DUCTILE IRON PIPE OR APPROVED EQUAL.



**SECTION B-B**  
**VERTICAL VALVE INSTALLATION**

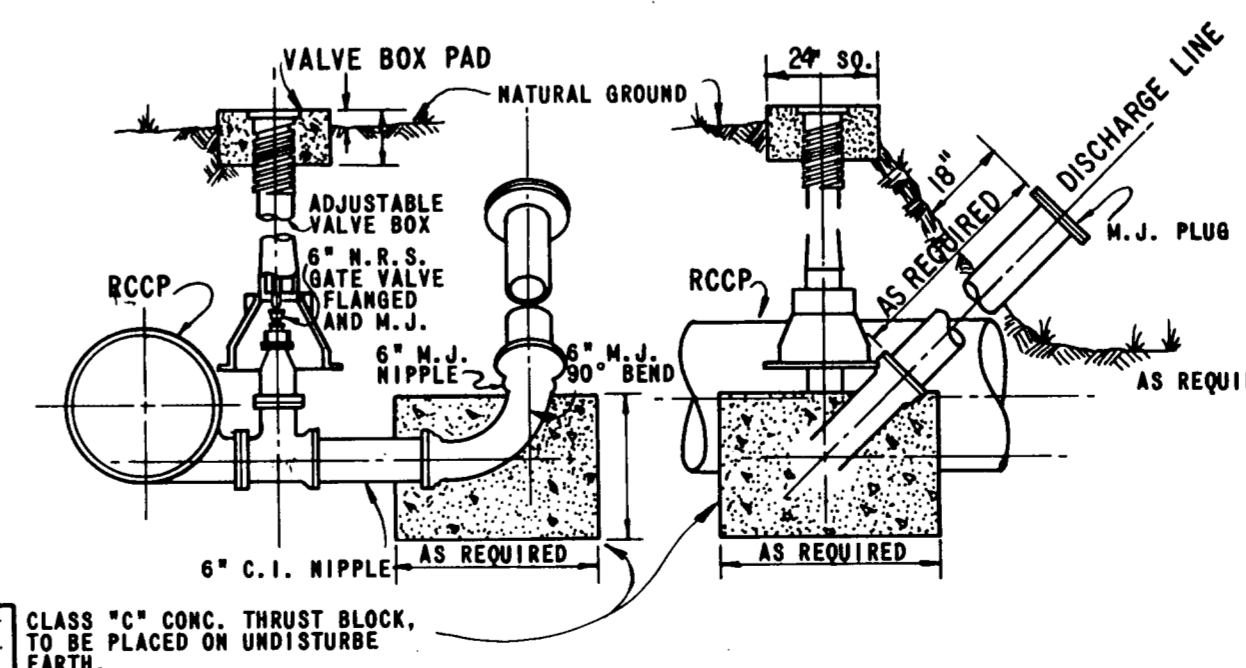


**TYPICAL AIR AND VACUUM-AIR RELEASE VALVE INSTALLATION**



- NOTE:**
- 4"-12" R.S. GATE VALVES SHALL BE IN ACCORDANCE WITH AWWA STANDARD C-509-80 OR LATEST THEREOF. ALL VALVES SHALL BE MUELLER A-2370 OR APPROVED EQUAL.
  - A PERMANENTLY ATTACHED VALVE EXTENSION STEM SHALL BE REQUIRED FOR ANY VALVE THATS OPERATING NUT IS LOCATED IN EXCESS OF 4 FEET BELOW THE TOP OF VALVE BOX. THIS EXTENSION SHALL BE OF SUFFICIENT LENGTH TO INSURE THAT ITS TOP IS WITHIN 4" OF VALVE BOX LID.

**TYPICAL VALVE SETTING AND BOX**



**BLOW OFF VALVE DETAIL**

NO.	REVISION	BY	DATE
TOWN OF ADDISON, TEXAS DEPARTMENT OF ENGINEERING			
<b>STANDARD CONSTRUCTION DETAILS</b> <b>WATER</b>			
<b>VALVES</b>			
APPROVED		H. WAYNE GINN, P.E.	
DATE MARCH, 1984		SHEET SD-15	

