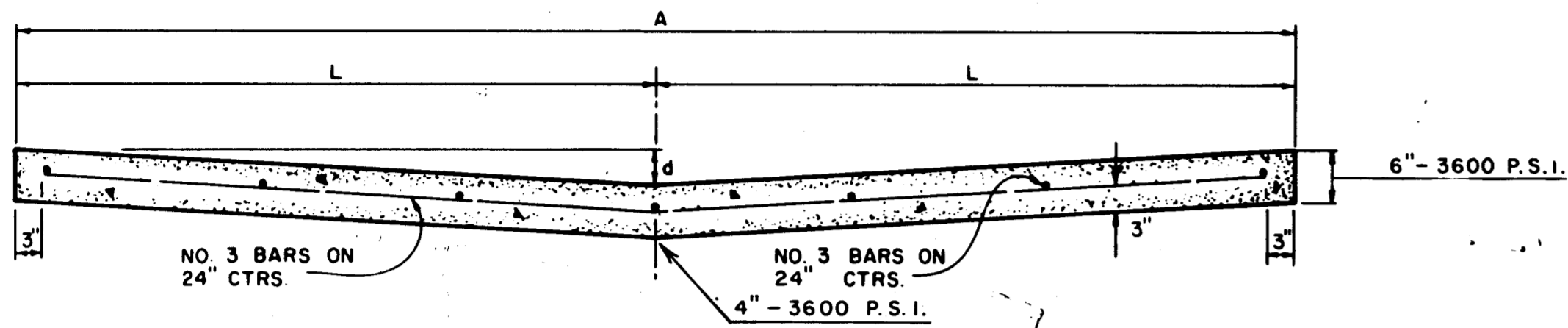
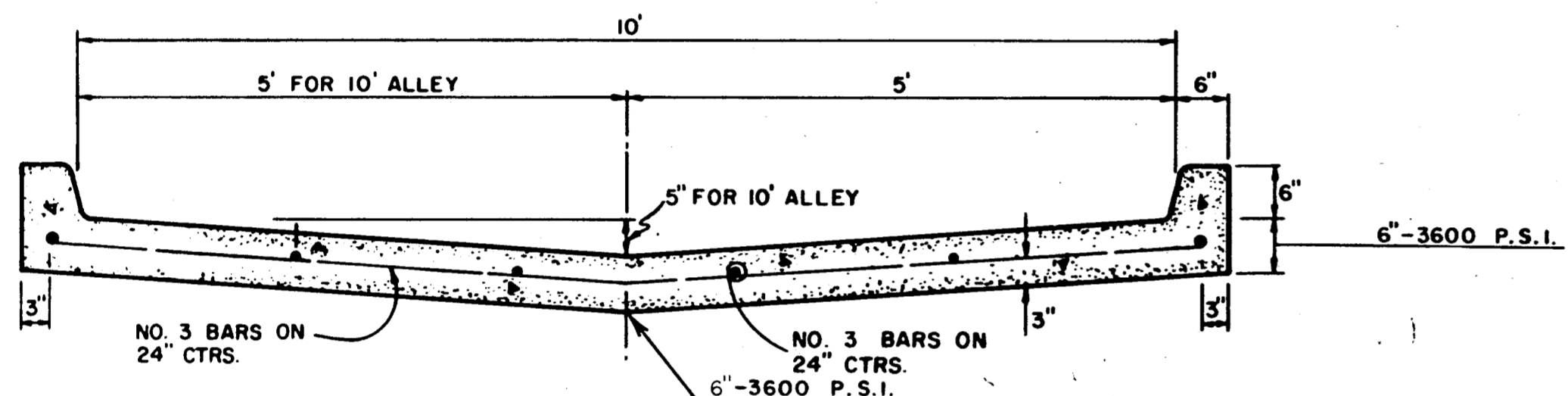


ALLEY WIDTH (A)	HALF SECTION WIDTH (L)	INVERT DEPTH (d)
10'	5'	5"
12'	6'	6"
16'	8'	6"
20'	10'	6"

ALLEY WIDTH	A	B	C	D	E	F
10'	10'	2'-6"	15'	1'-6"	12'	8.6'
12'	12'	1'-6"	15'	1'-6"	12'	8.5'
16'	16'	2'-0"	20'	2'-0"	16'	8.0'
20'	20'	0	20'	0	20'	10.0'

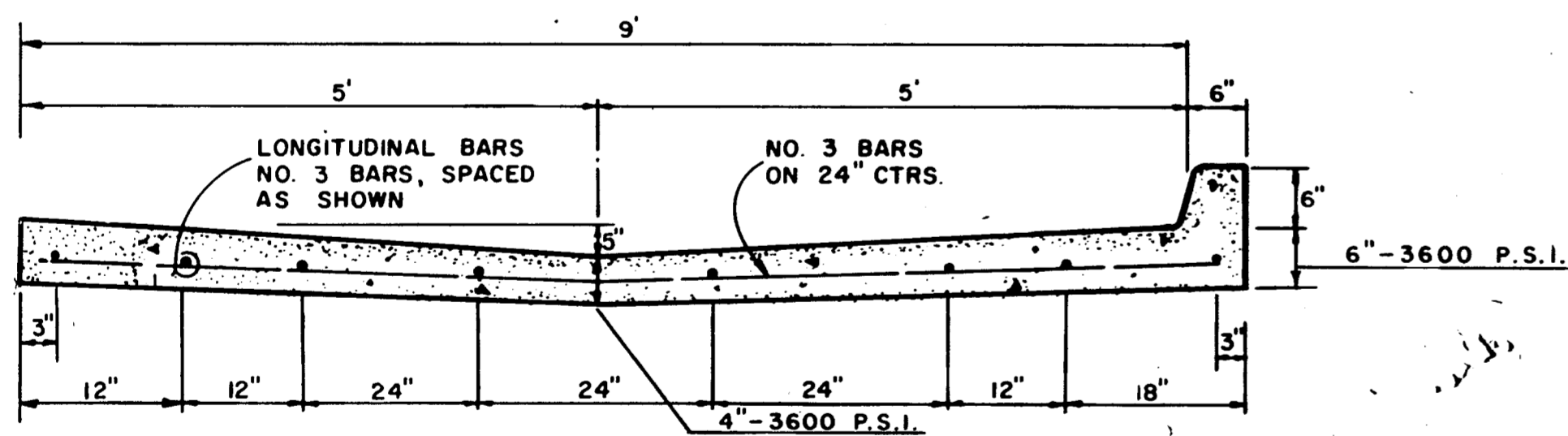


STANDARD 10', 12', 16', & 20' ALLEY SECTION



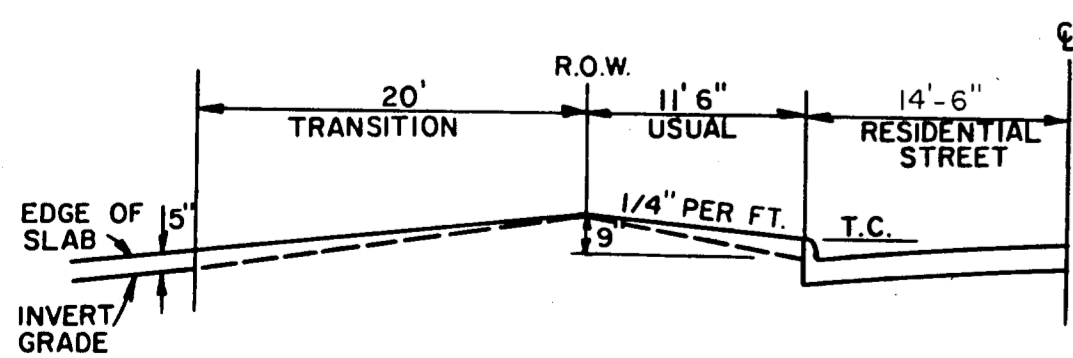
STANDARD ALLEY SECTION WITH CURBS

NOTE: CURBS NOT ALLOWED IN RESIDENTIAL AREAS EXCEPT AS APPROVED BY THE CITY.

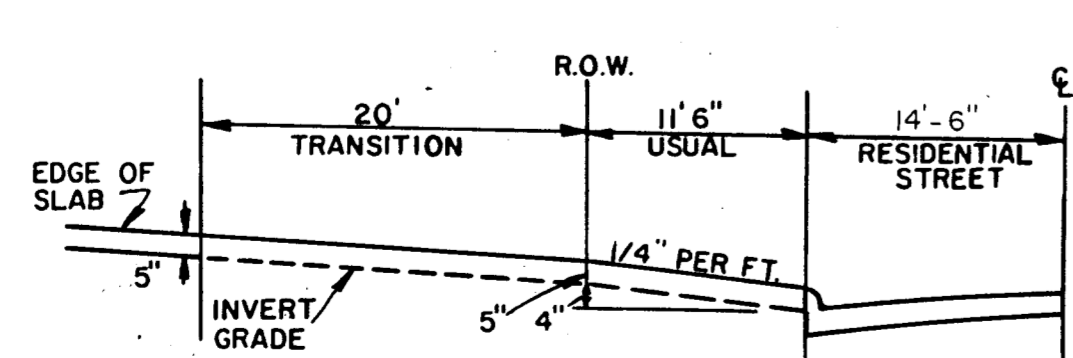


ALTERNATE 10' ALLEY SECTION / CURB

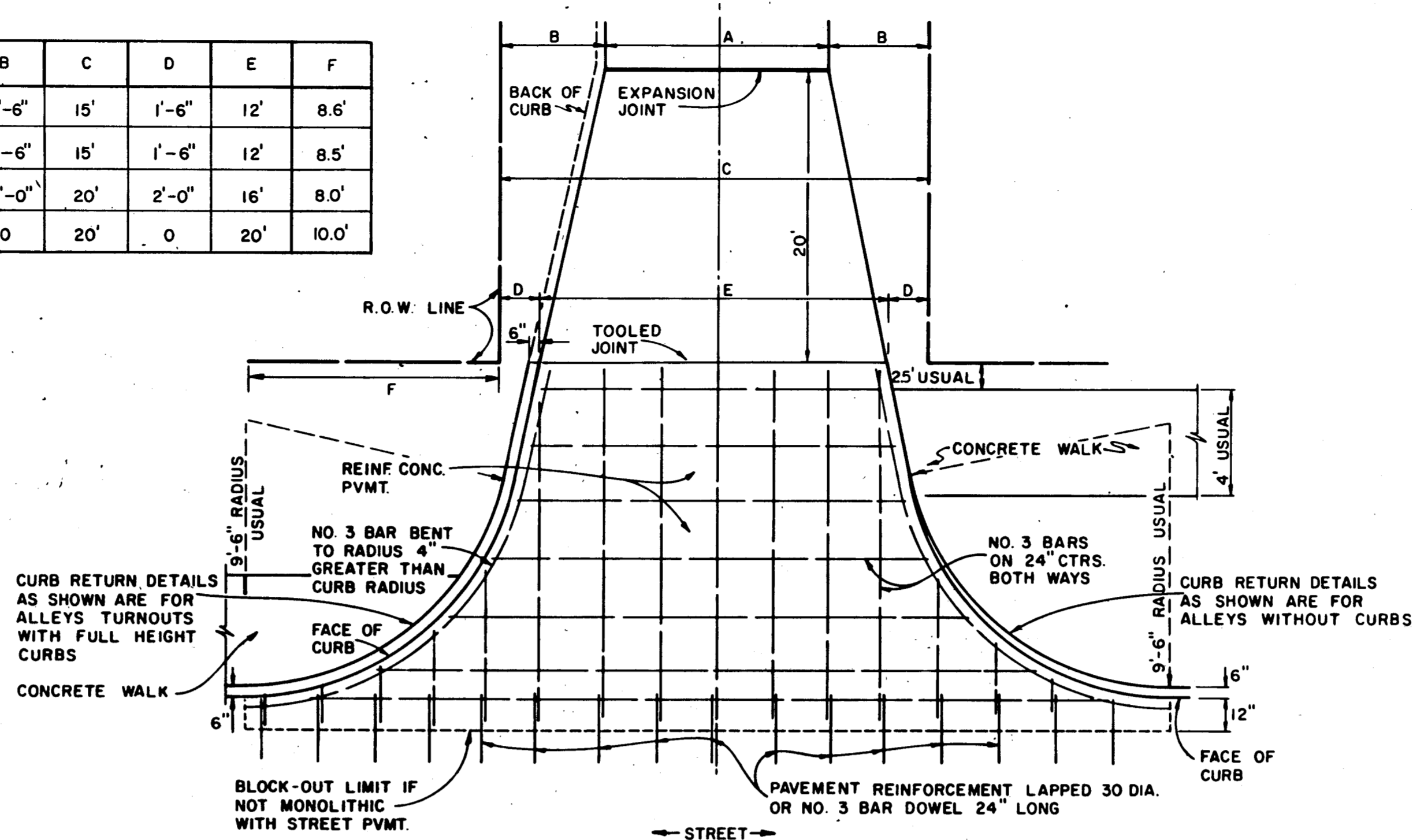
NOTE: CURBS NOT ALLOWED IN RESIDENTIAL AREAS EXCEPT AS APPROVED BY THE CITY.



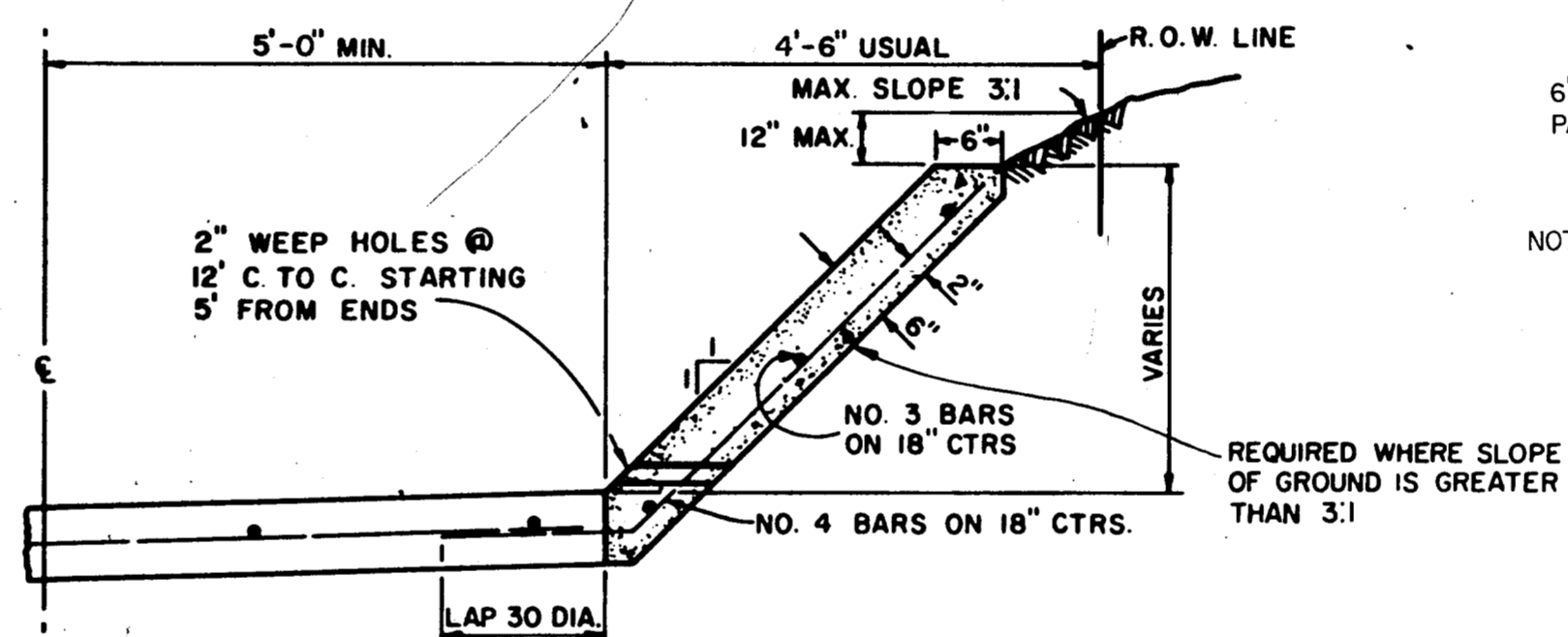
TYPE I ALLEY ENTRANCE



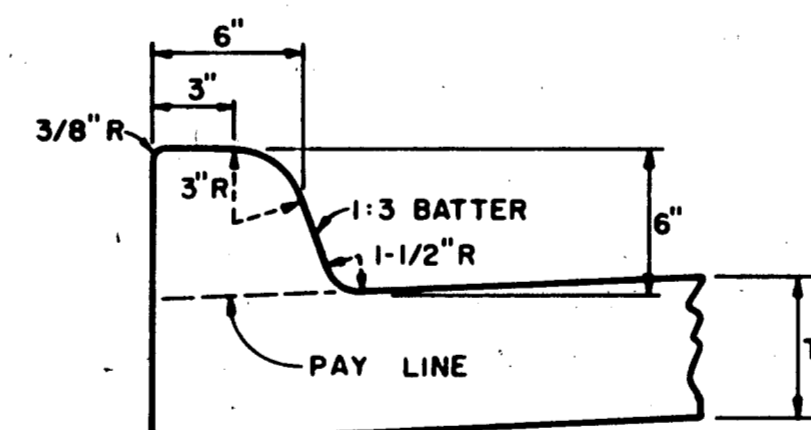
TYPE II ALLEY ENTRANCE



ALLEY RETURN DETAILS



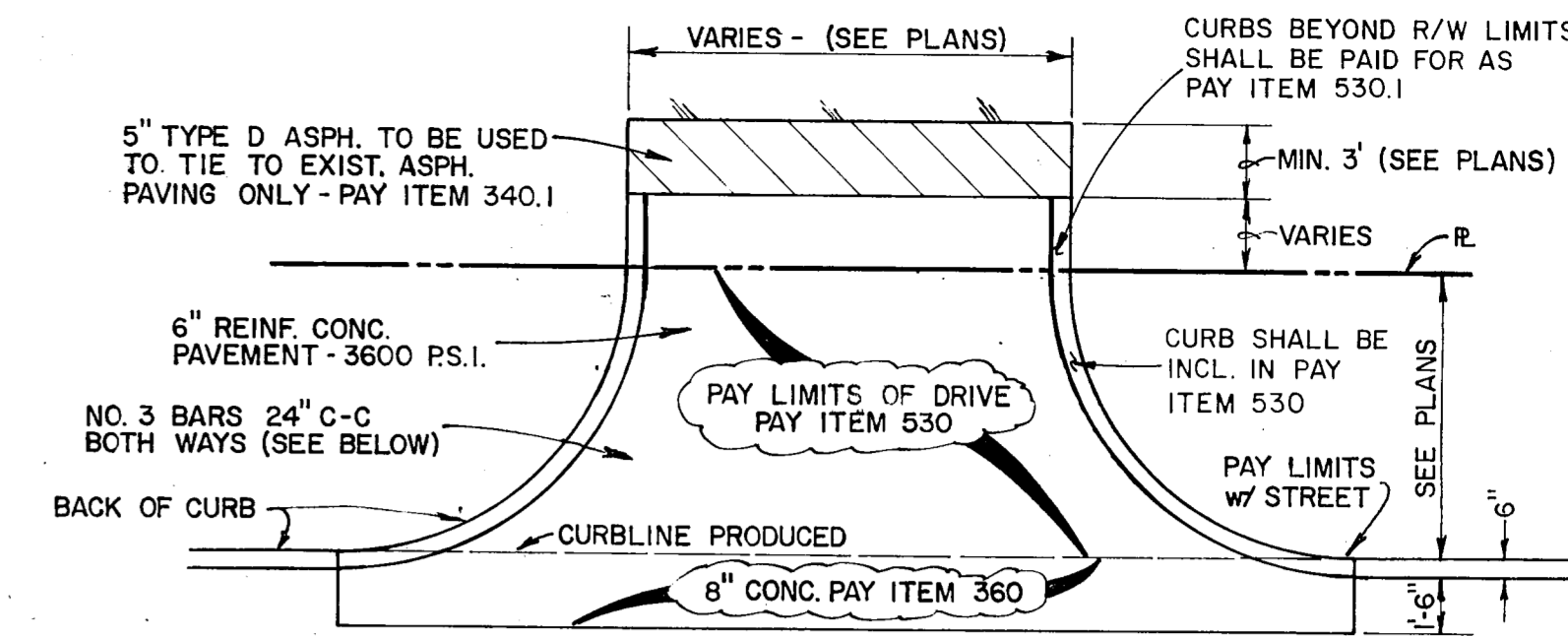
ALLEY SLOPE PROTECTION



INTEGRAL CURB

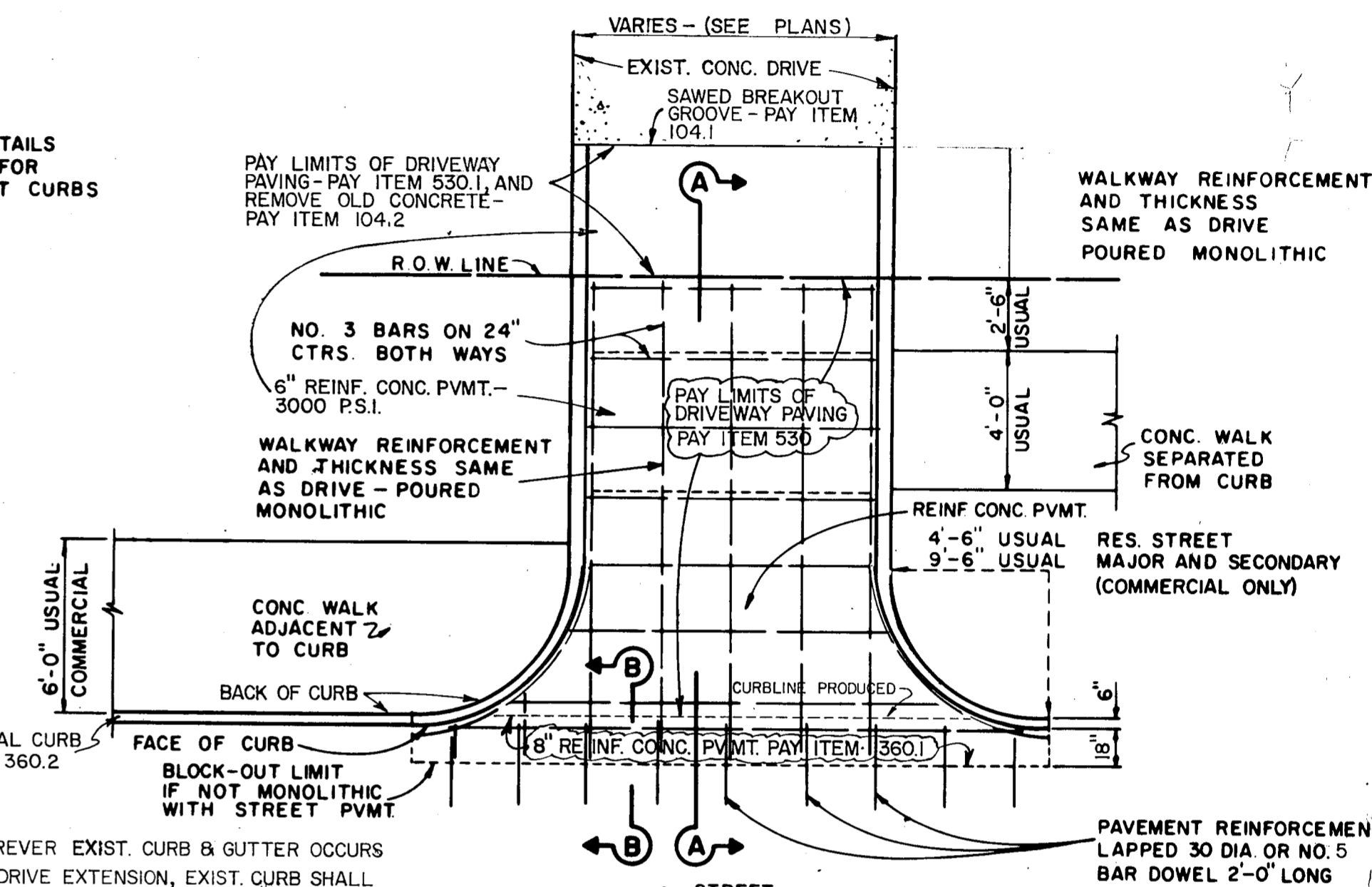
GENERAL NOTES FOR ALLEYS AND DRIVEWAYS

1. CONCRETE FOR ALLEY RETURNS AND DRIVEWAYS SHALL HAVE A MINIMUM COMPRESSIVE STRENGTH AT 28 DAYS IDENTICAL TO THAT SPECIFIED FOR THE STREET PAVEMENT BASE WHEN BUILT AS COMPONENTS OF A CONCRETE PAVING PROJECT. WHEN BUILT SEPARATELY, THE STRENGTH SHALL BE AS SPECIFIED ON THE CONSTRUCTION PLANS.
2. CONCRETE FOR ALLEY PAVEMENT SHALL BE OF THE STRENGTH SPECIFIED ON THE CONSTRUCTION PLANS. (3000 P.S.I. OR 3600 P.S.I. MINIMUM COMPRESSIVE)
3. SPACING AND CONSTRUCTION OF JOINTS SHALL CONFORM TO STREET PAVEMENT DETAILS.



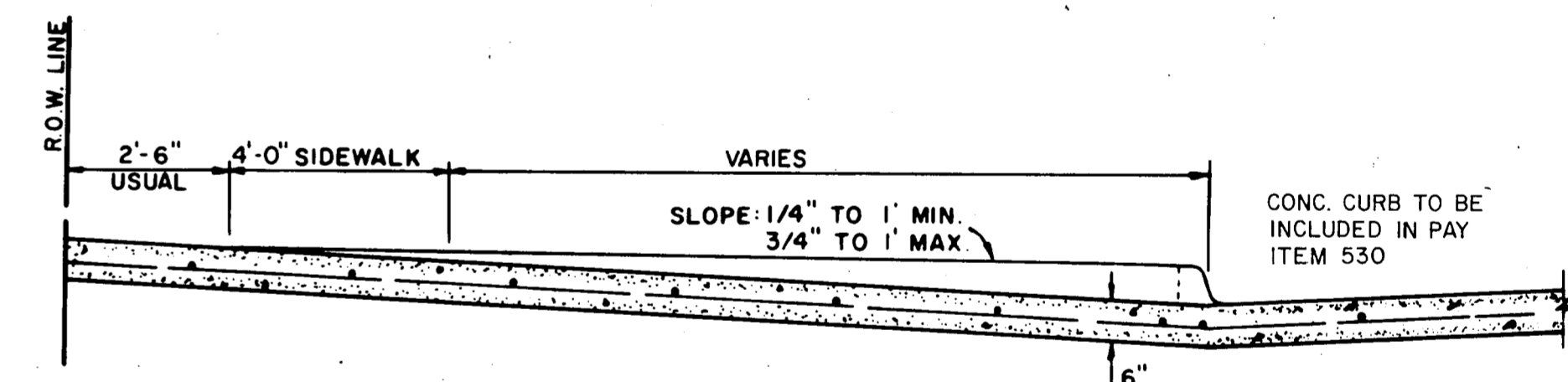
DRIVEWAY PAVING DETAIL

(ASPHALT DRIVEWAYS)

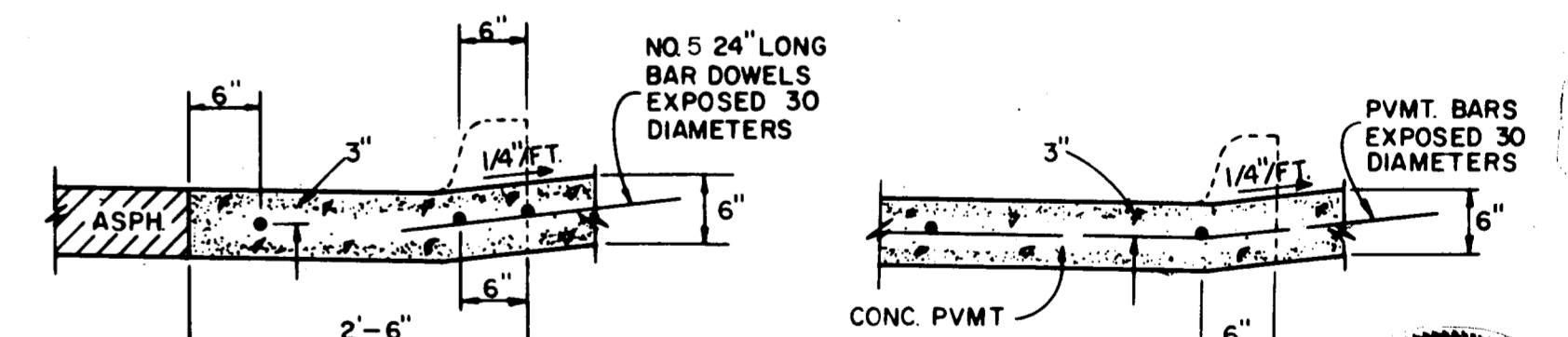


DRIVEWAY RETURN TO STREET

(CONCRETE DRIVEWAYS)

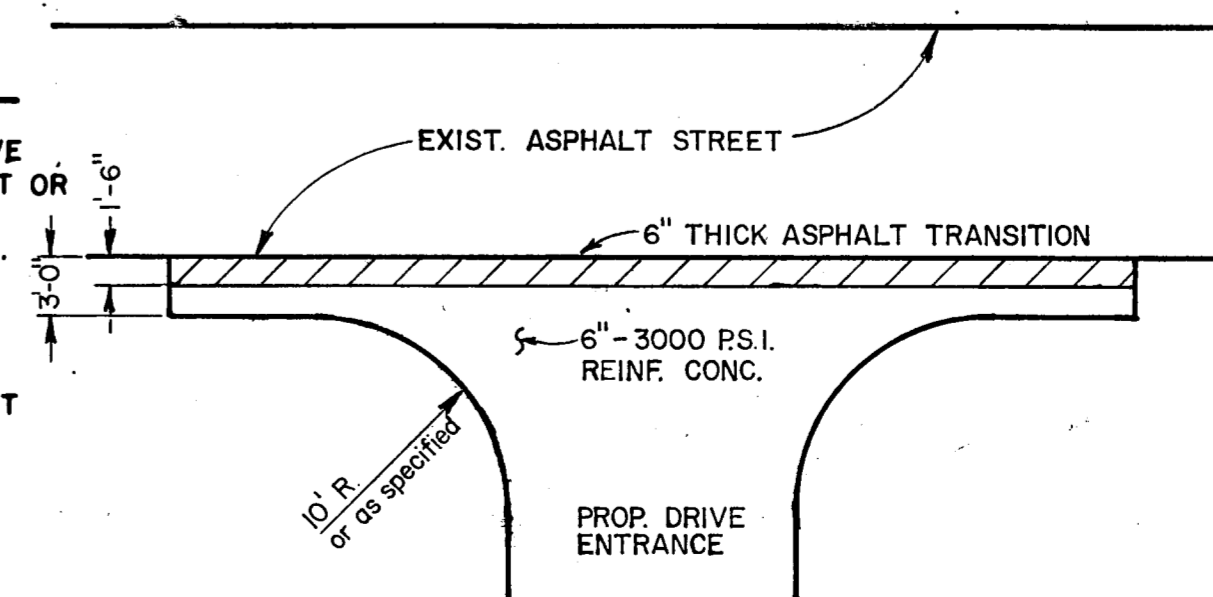


SECTION A-A



SECTION B-B

DRIVEWAY RETURN DETAILS



TYPICAL DRIVE CONNECTION TO EXISTING ASPHALT STREET

NO.	REVISION	BY	DATE
TOWN OF ADDISON, TEXAS DEPARTMENT OF ENGINEERING			
STANDARD CONSTRUCTION DETAILS PAVING			
ALLEY AND DRIVEWAY RETURNS			
APPROVED _____ H. WAYNE GINN, P.E.			
DATE: MARCH, 1984		SHEET SD-4	

