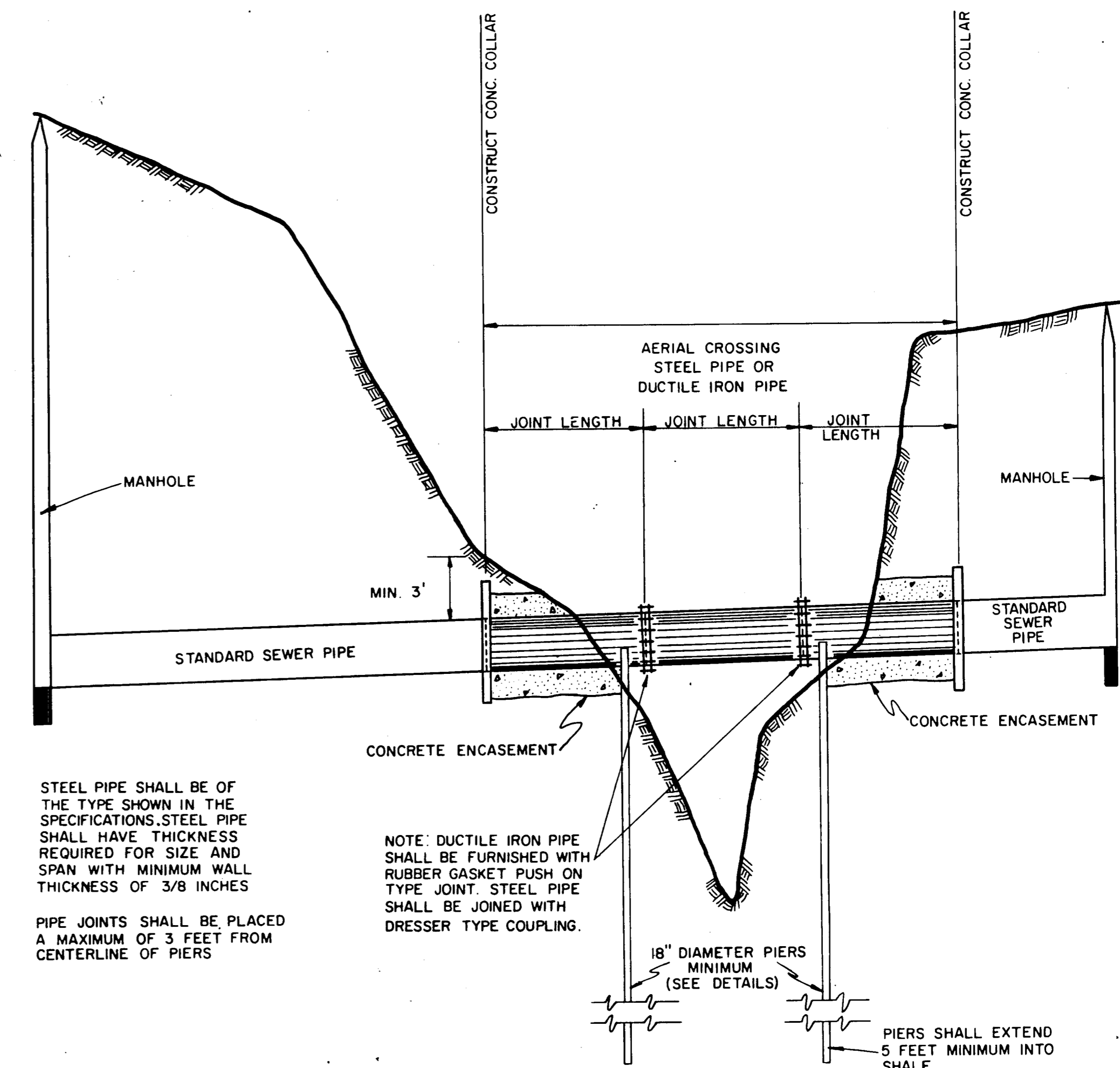


TABLE OF QUANTITIES OF 2000 PSI CONCRETE, GRAVEL OR CRUSHED STONE IN CUBIC YARDS PER 100 LINEAR FEET FOR EACH CLASS EMBEDMENT

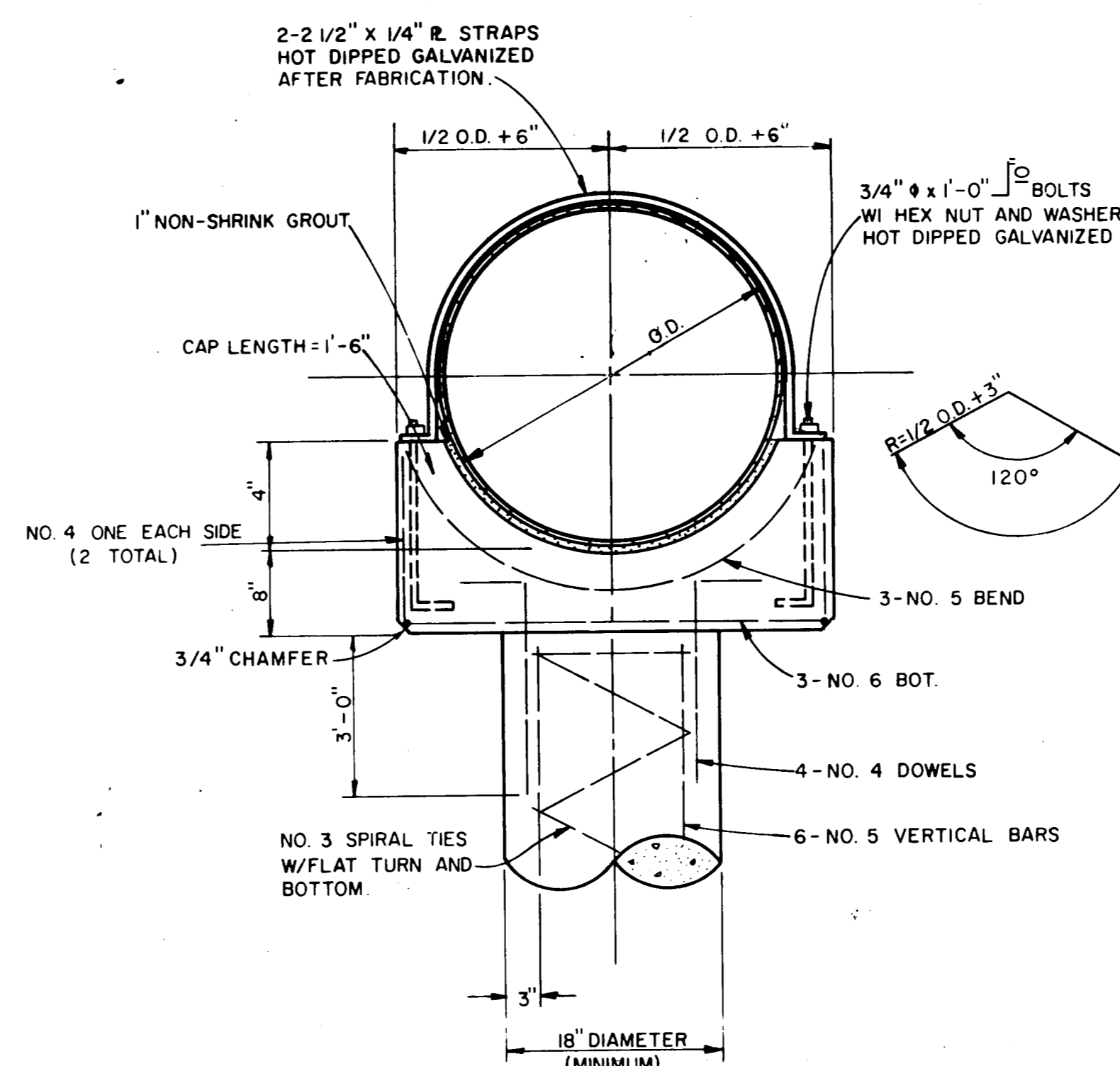
SIZE OF PIPE IN INCHES I.D.	O.D. OF PIPE IN INCHES	TRENCH WIDTH IN INCHES	TRENCH WIDTH IN FEET	CLASS 1 EMBEDMENT CRUSHED STONE	CLASS 2 EMBEDMENT CRUSHED STONE	CLASS 3 EMBEDMENT CONCRETE	CONCRETE ENCASEMENT
12	16.00	32	2.67	4.1	6.5	4.8	15.8
15	19.50	36	3.00	4.8	7.8	6.4	19.2
18	23.00	39	3.25	5.7	9.2	8.2	21.2
21	26.50	43	3.58	6.9	11.0	10.2	24.9
24	30.00	46	3.83	8.3	13.1	12.4	28.7
27	33.50	51	4.25	10.3	16.1	14.4	32.8
30	37.00	57	4.75	12.7	20.1	17.0	34.8
33	40.50	62	5.17	15.1	23.8	19.3	39.2
36	44.00	67	5.58	18.0	28.6	22.1	43.8

SIZE OF PIPE IN INCHES	O.D. OF PIPE IN INCHES	TRENCH WIDTH IN INCHES	TRENCH WIDTH IN FEET	CLASS 4 EMBEDMENT CRUSHED STONE	CONCRETE ENCASEMENT
6	6.28	24	2.00	8.0	11.7
8	8.16	24	2.00	8.7	12.4
10	10.20	26	2.18	10.2	14.2
12	12.24	26	2.35	11.7	15.9
15	15.30	31	2.61	14.0	18.8

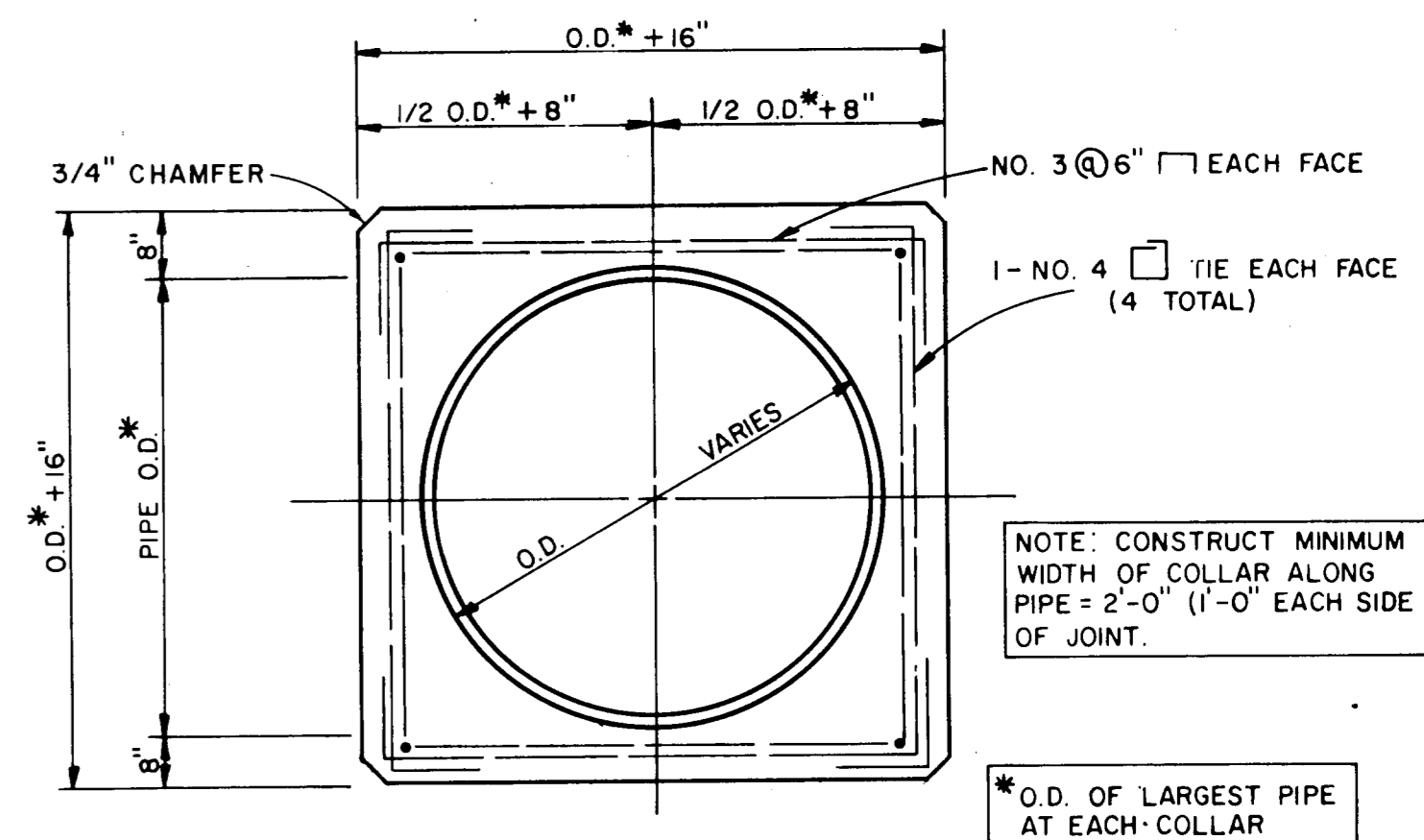
SIZE OF PIPE IN INCHES I.D.	O.D. OF PIPE IN INCHES	TRENCH WIDTH IN INCHES	TRENCH WIDTH IN FEET	CLASS 1 EMBEDMENT CRUSHED STONE	CLASS 2 EMBEDMENT CRUSHED STONE	CLASS 3 EMBEDMENT CONCRETE	CONCRETE ENCASEMENT
8	9.75	26	2.17	2.9	4.3	3.3	10.9
10	12.00	28	2.33	3.3	5.0	3.7	12.5
12	14.25	30	2.50	3.7	5.8	4.3	14.2
15	17.00	36	3.00	4.8	7.8	7.0	17.5
18	21.45	39	3.25	5.6	9.1	8.9	21.0
21	25.00	43	3.58	6.7	11.0	11.1	23.0
24	28.50	46	3.83	8.0	12.9	12.3	26.8
27	32.10	51	4.25	10.0	15.9	14.3	30.8
30	35.60	57	4.75	12.4	19.8	16.8	34.9
33	38.95	61	5.08	14.5	22.9	18.7	37.0
36	42.25	66	5.50	17.0	26.8	21.1	41.5



AERIAL CROSSING DETAIL



AERIAL CROSSING PIER CAP DETAIL
N.T.S.



AERIAL CROSSING CONCRETE COLLAR DETAIL
N.T.S.

NO.	REVISION	BY	DATE
TOWN OF ADDISON, TEXAS DEPARTMENT OF ENGINEERING			
STANDARD CONSTRUCTION DETAILS SANITARY SEWER			
EMBEDMENT-AERIAL CROSSING			
APPROVED		H. WAYNE GINN, P.E.	
DATE MARCH, 1984		SHEET	SD-20

