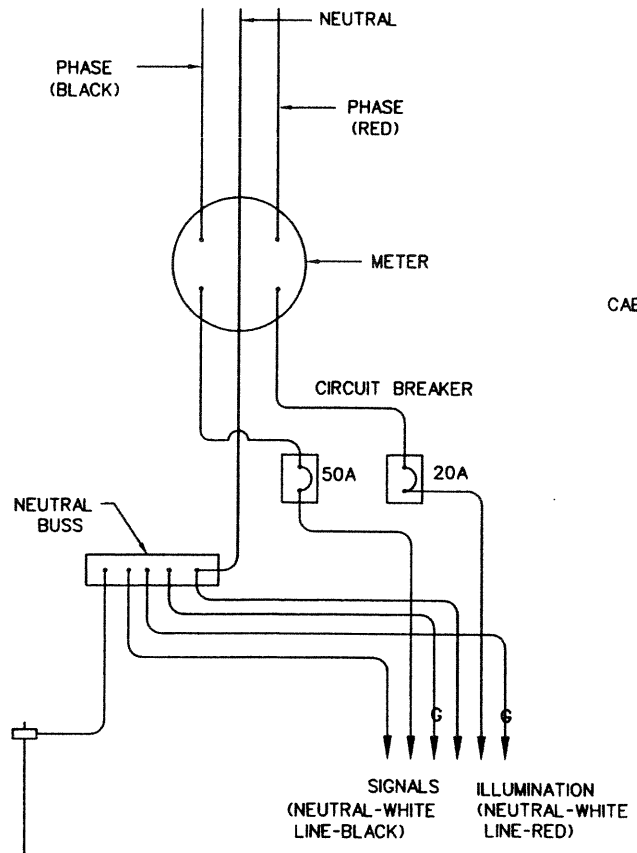


SERVICE ASSEMBLY SCHEMATIC



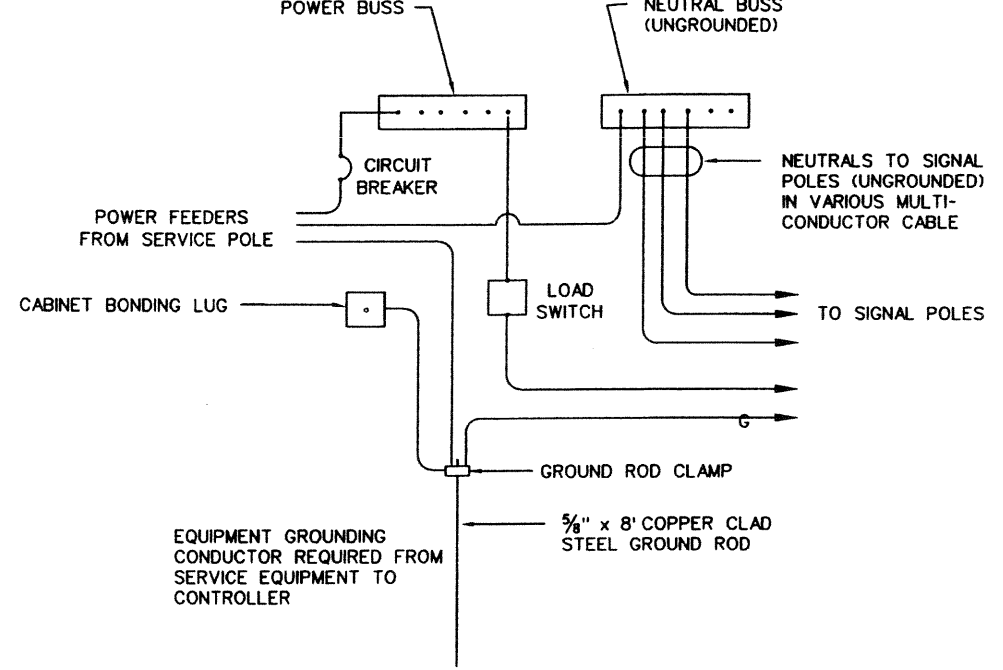
CONNECTIONS AT SIGNAL CONTROLLERS

NOTES:

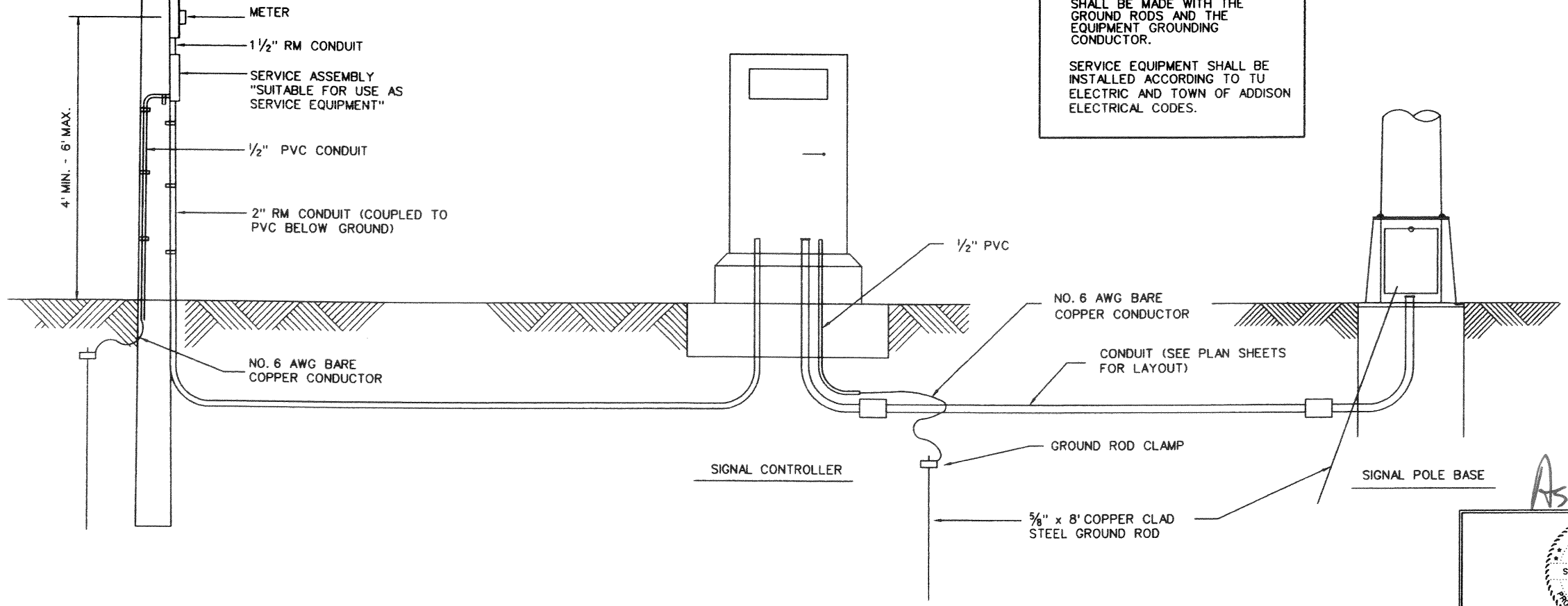
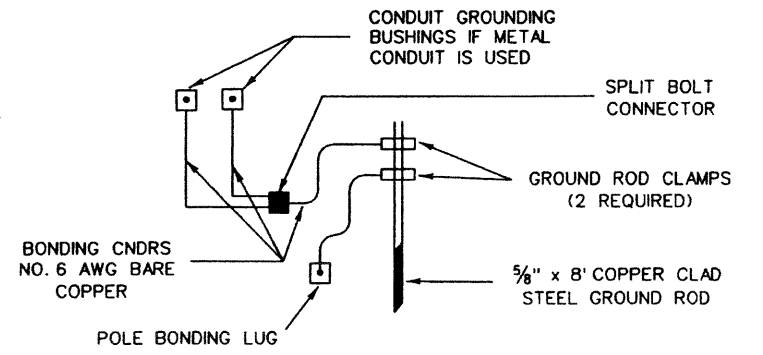
THE TRAFFIC SIGNAL SYSTEM NEUTRAL CONDUCTOR SHALL BE GROUNDED AT THE SERVICE POLE ONLY.

ALL BONDING AND GROUNDING SHALL BE MADE WITH THE GROUND RODS AND THE EQUIPMENT GROUNDING CONDUCTOR.

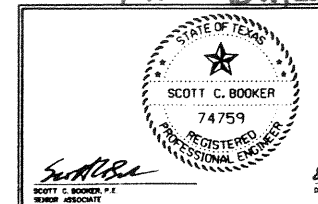
SERVICE EQUIPMENT SHALL BE INSTALLED ACCORDING TO TU ELECTRIC AND TOWN OF ADDISON ELECTRICAL CODES.



CONNECTIONS AT POLE BASE



As-Built



DATE	REVISION	BY
TOWN OF ADDISON DALLAS COUNTY, TEXAS		
DETAIL SHEET SERVICE POLE AND GROUNDING		
PROJECT No.		
 2630 W. FREEWAY #132 • FORT WORTH, TEXAS 76102 • (817) 677-5803		
DESIGNED	S.C.B.	DRAWN
APPROVED	R.W.J.	CHECKED
		A.M.
		FILE
		DET-33
		SHEET
		17 OF 20