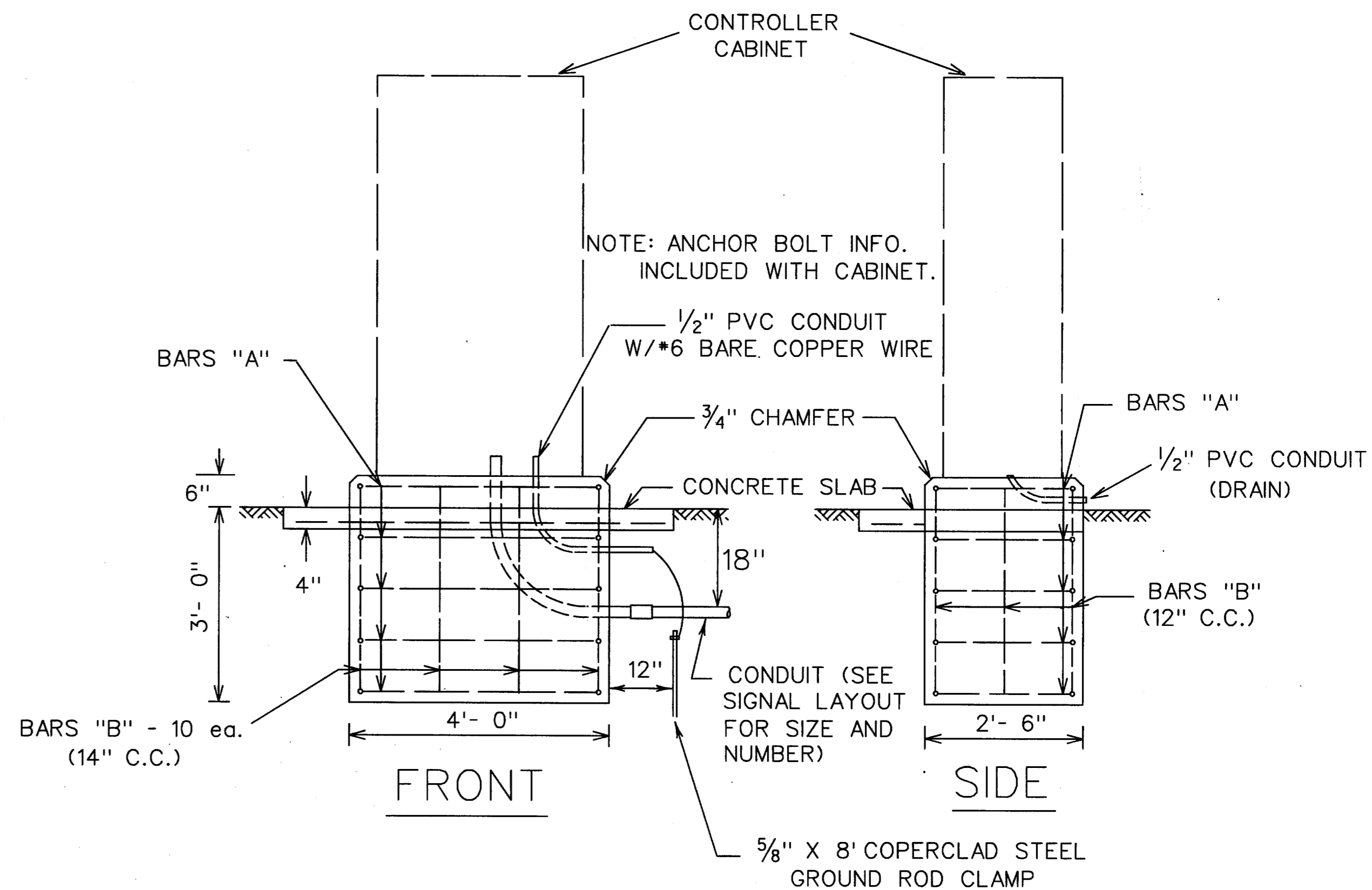
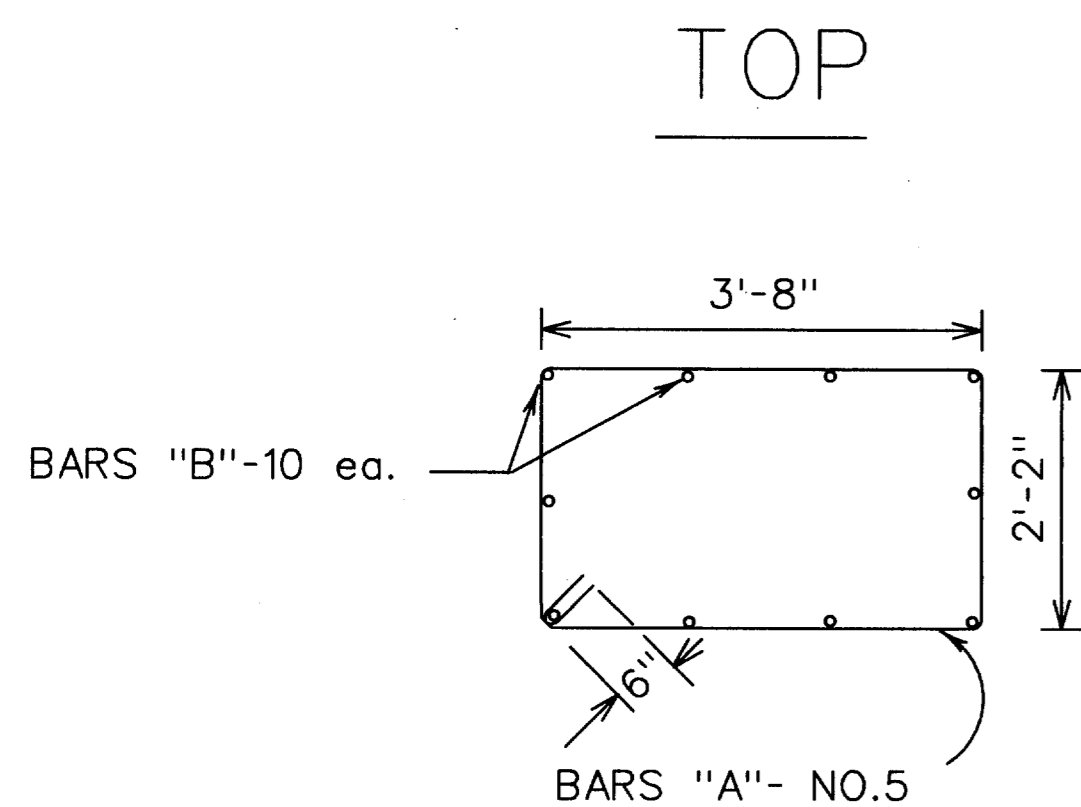
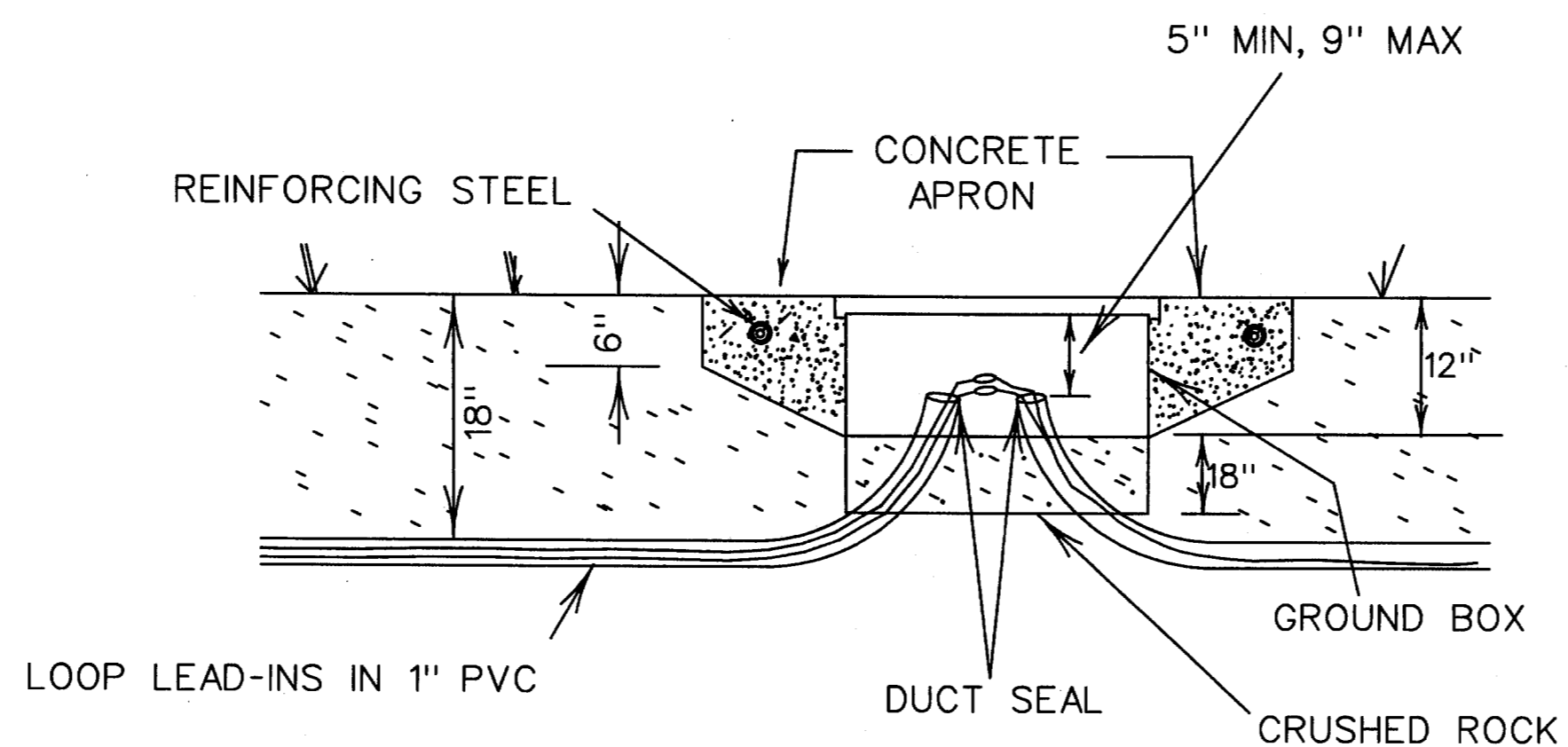
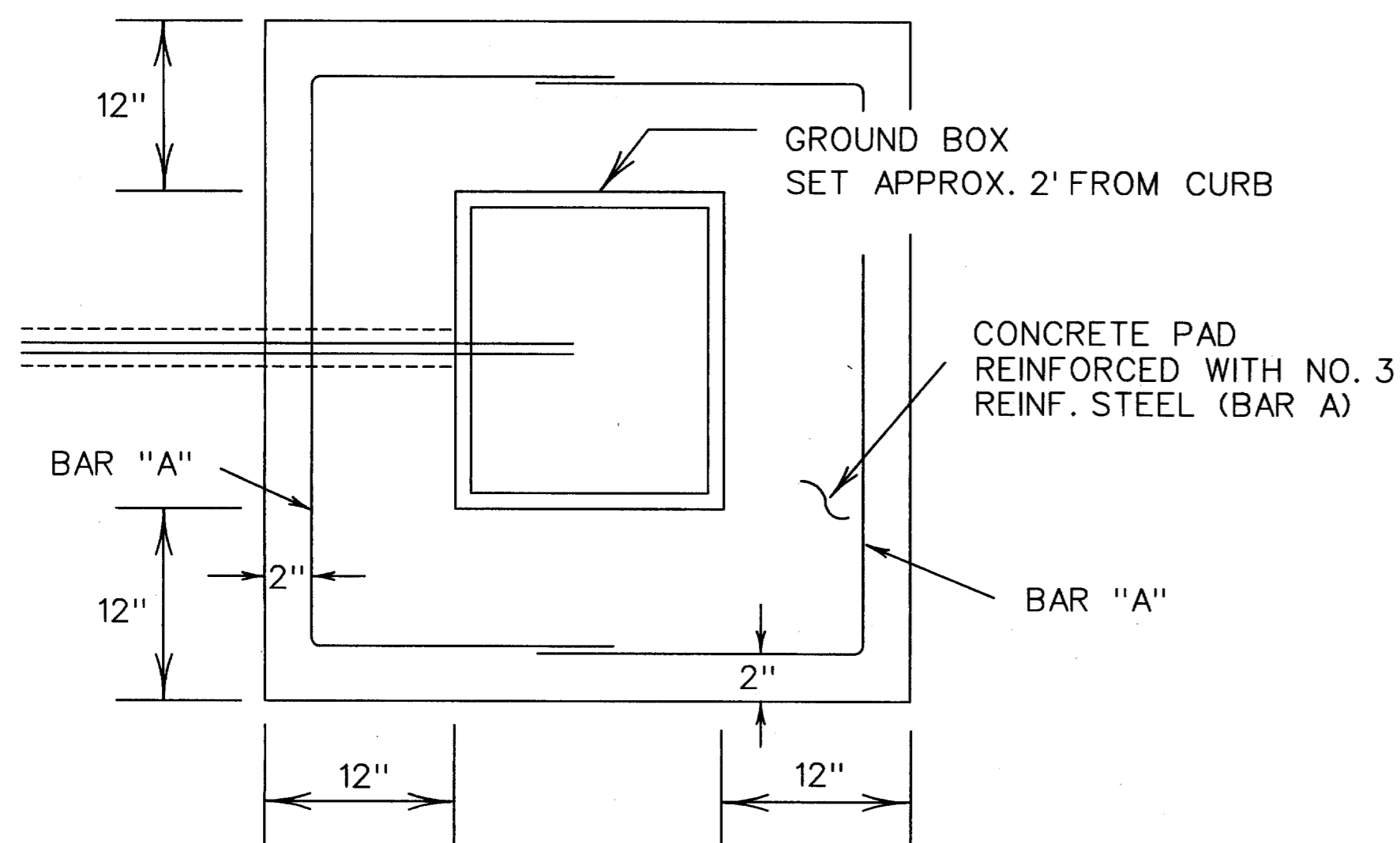


BAR	NO. BARS	SIZE	LENGTH	SPACING
A	6	5	12'-8"	9.5" C.C.
B	10	5	3'-2"	VAR.
C	2	3	4'-8"	16.5" C.C.
D	2	3	5'-8"	18" C.C.
E	3	3	2'-8"	16.5" C.C.
F	4	3	1'-2"	18" C.C.

PROVIDE 2" MIN. COVER FOR TOP AND SIDES

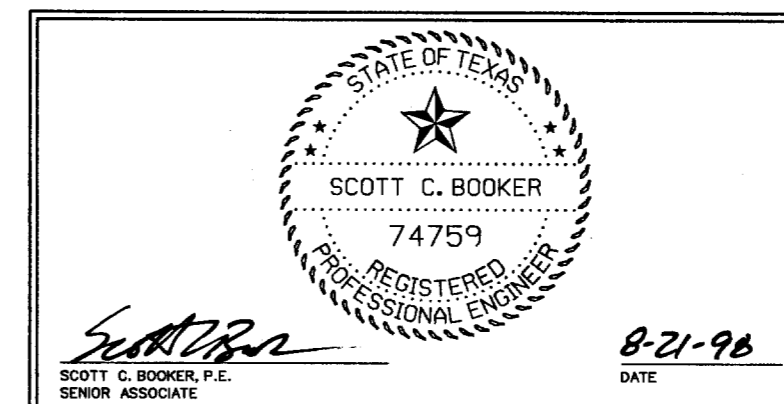


CONTROLLER FOUNDATION DETAILS



ELEVATION

GROUND BOX INSTALLATION DETAILS



DATE	REVISION	BY
TOWN OF ADDISON DALLAS COUNTY, TEXAS		
DETAIL SHEET CONTROLLER FOUNDATION AND GROUND BOX INSTALLATION		
PROJECT No.		
 PARSONS TRANSPORTATION GROUP <small>2630 W. FREEWAY #132 • FORT WORTH, TEXAS 76102 • (817) 877-5803</small>		
DESIGNED :	S.C.B.	DRAWN : C. W.W.
APPROVED :	R.W.J.	CHECKED : A.M.
FILE :	DET-55	SHEET 16 OF 20