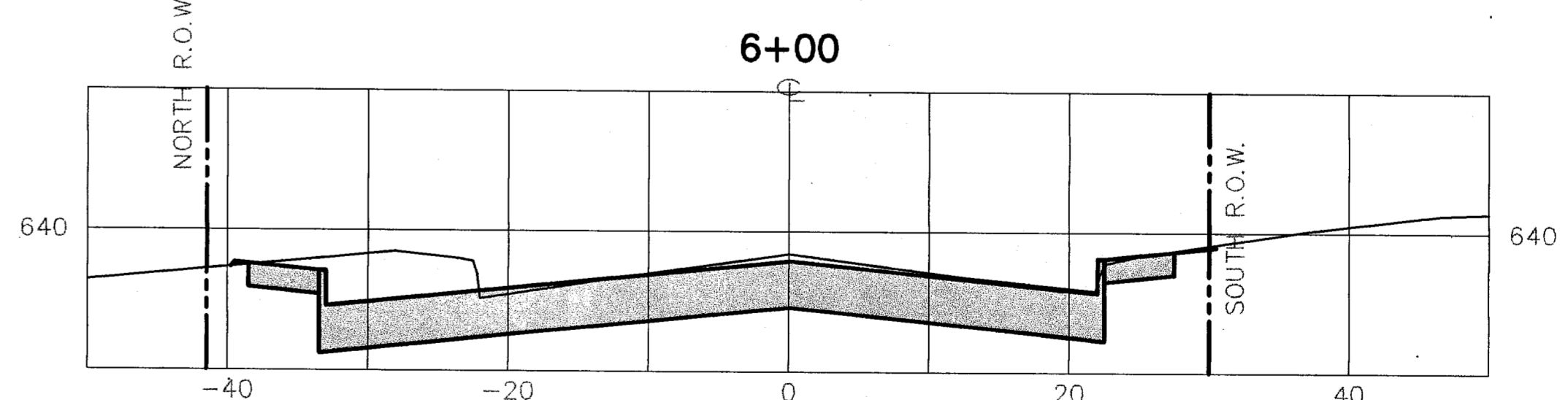
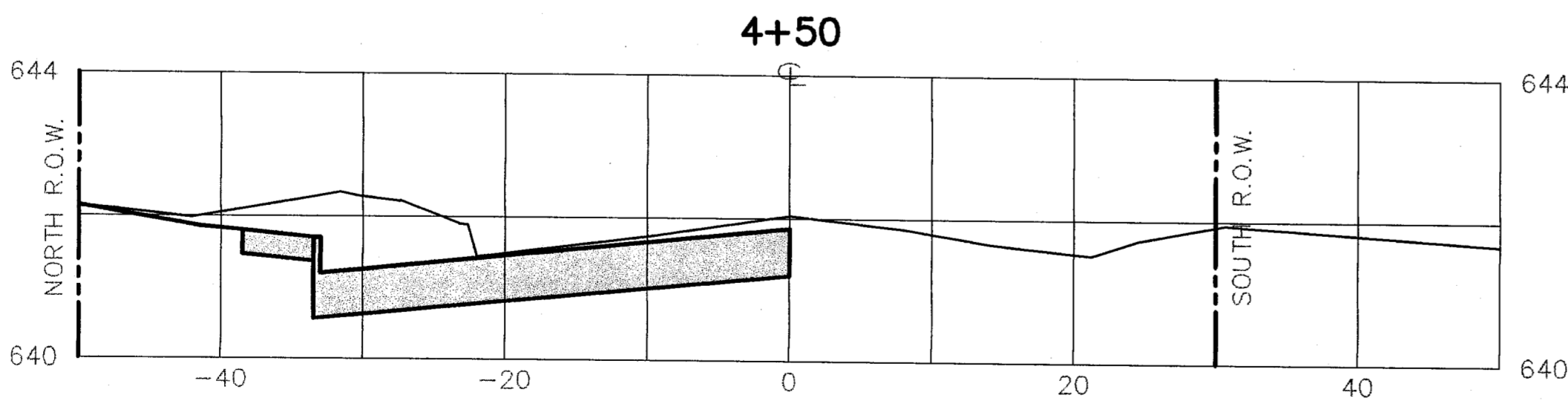
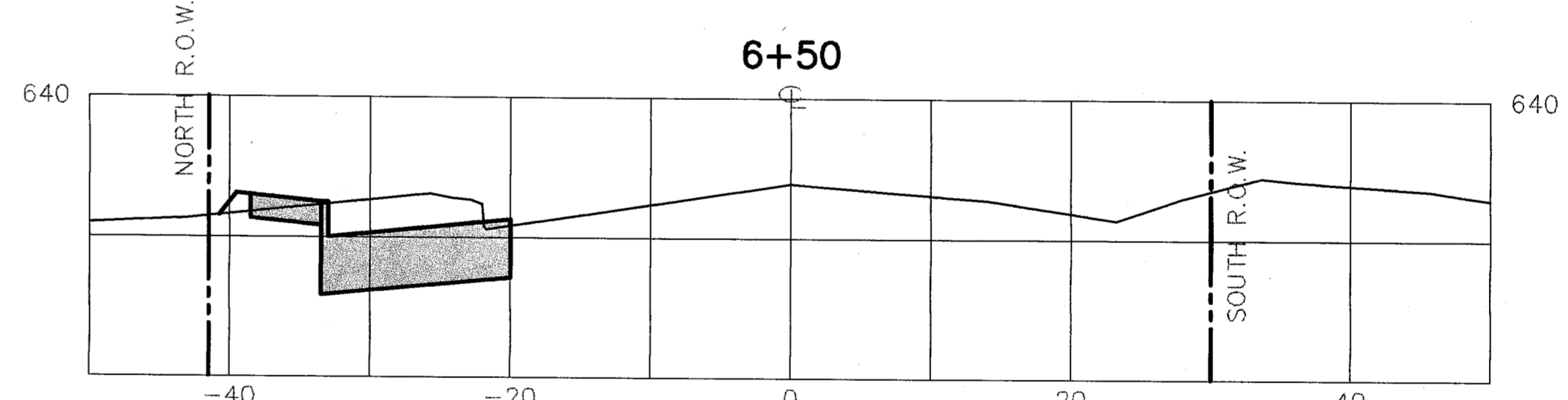
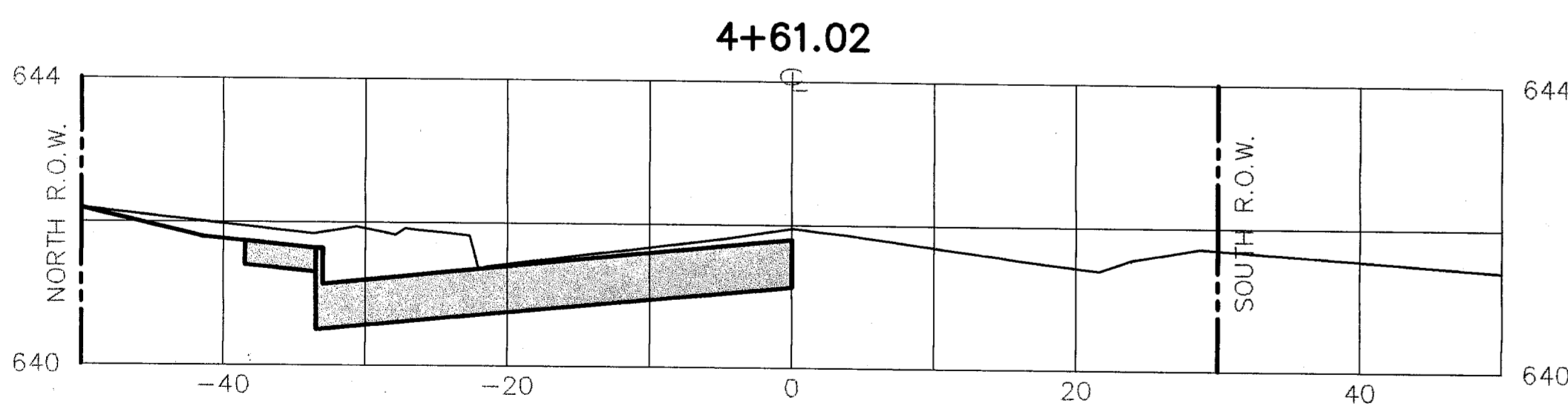
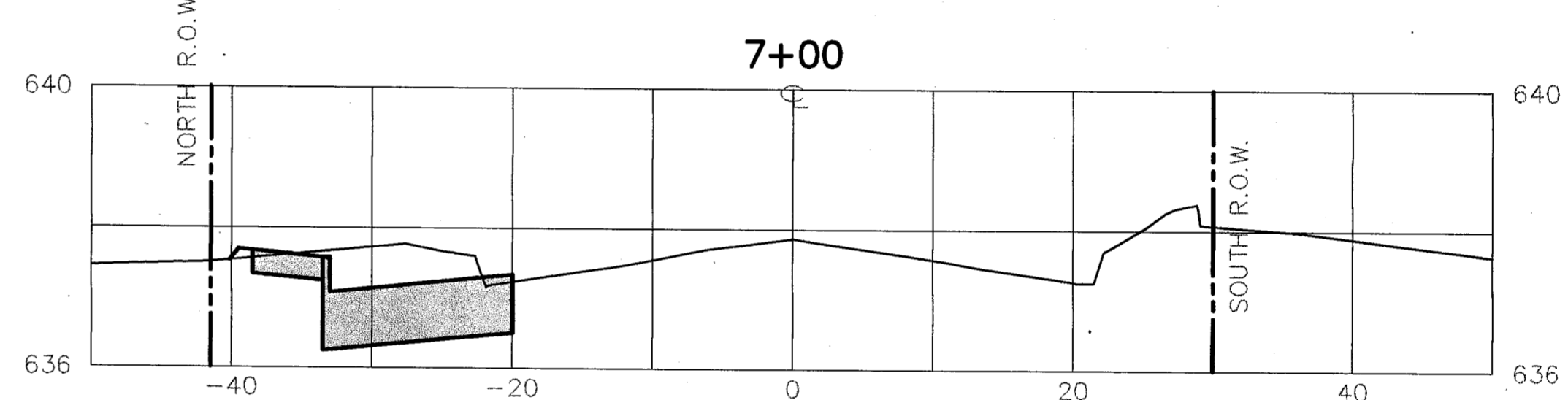
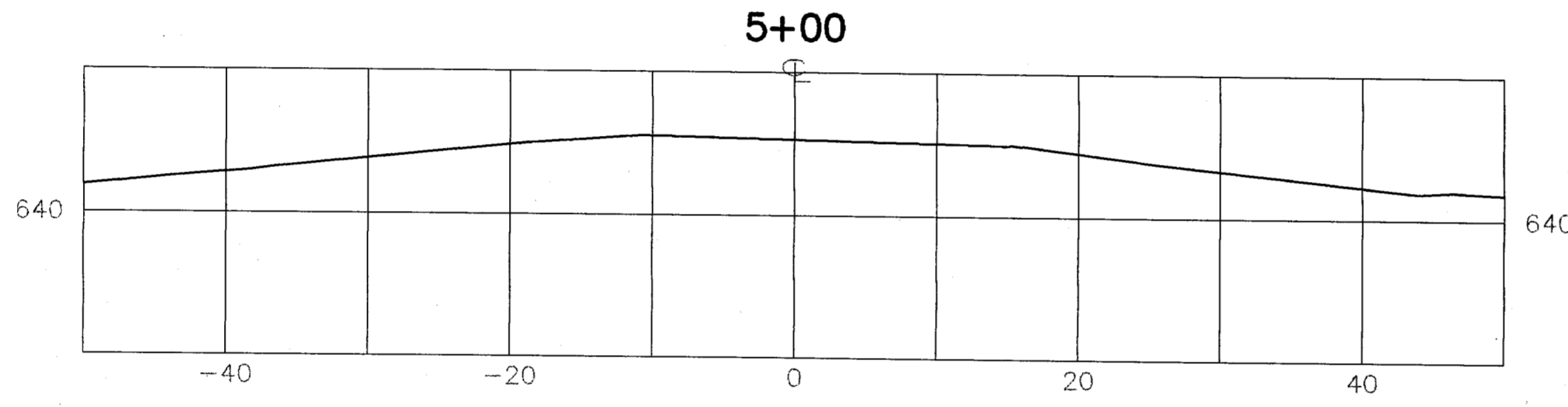
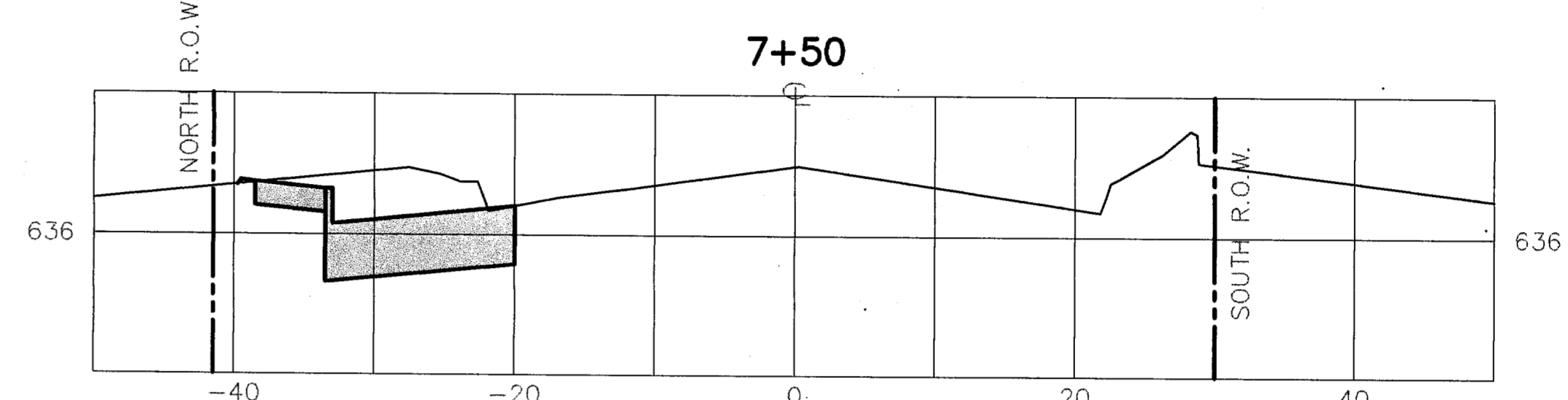
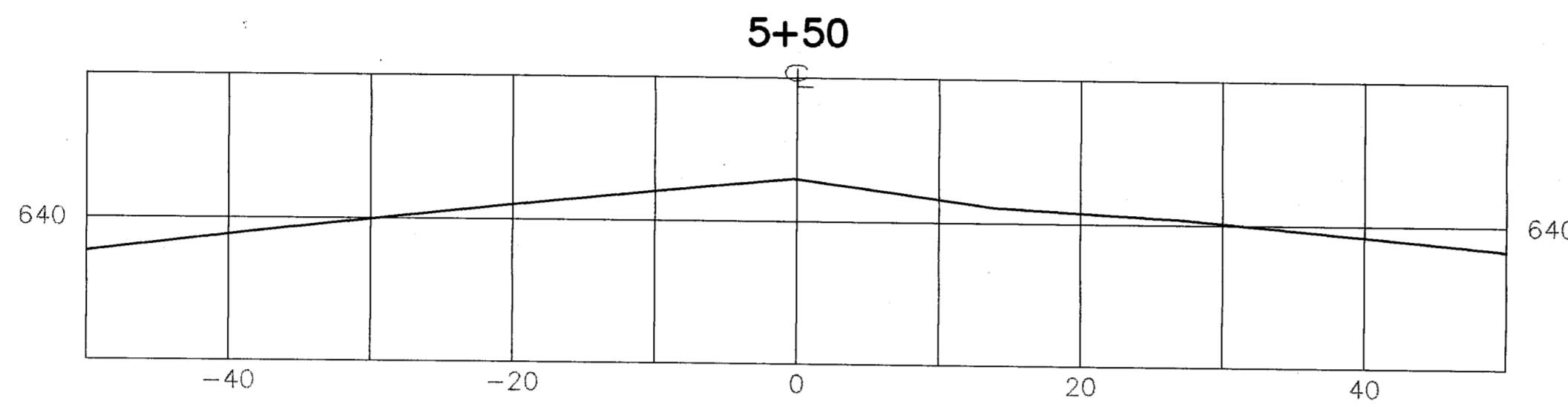
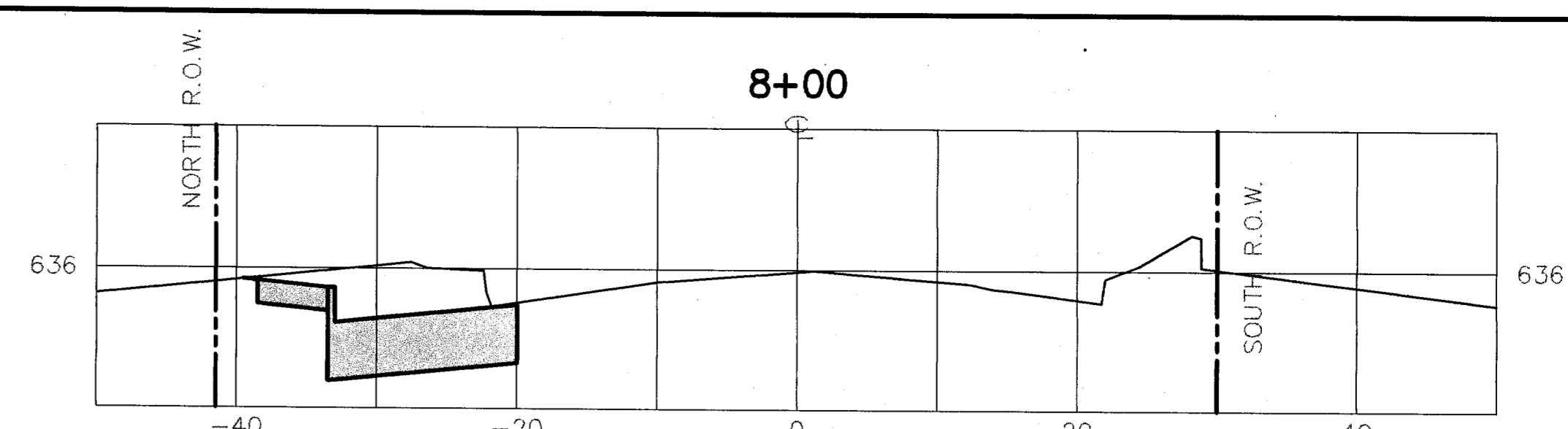
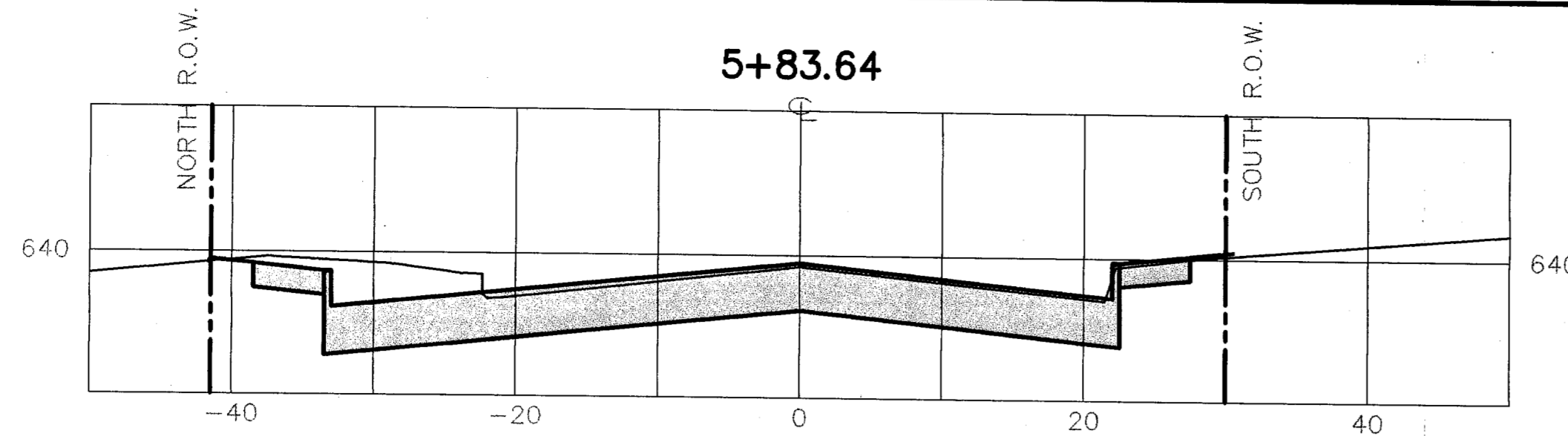


G:\PROJ-FILES\ADD9727\CADD\X-SEC-2.DWG Tue Apr 13 16:12:41 1999 CADMAN



NO.	REVISION	BY	DATE

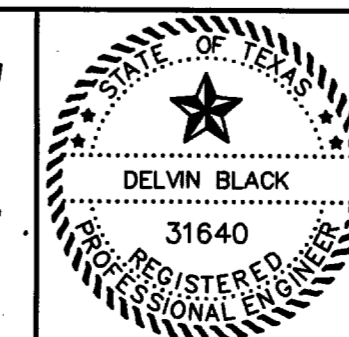
DESIGNED
JPS
DRAWN
JRP
CHECKED

TOWN OF
ADDISON

SCALE
HORIZ
1" = 10'
VERT
1" = 2'
DATE
APR 1999



TEAGUE NALL AND PERKINS
CONSULTING ENGINEERS
915 Florence Street Fort Worth, Texas 76102 (817) 336-5773
2001 West Irving Blvd. Irving, Texas 75061 (972) 254-1765



Delvin Black, P.E.
Date: 14 Apr 99

TOWN OF ADDISON, TEXAS
KELLER SPRINGS ROAD/QUORUM DRIVE
INTERSECTION IMPROVEMENTS
CROSS SECTIONS
STA. 4+50 TO STA. 8+00

TNP PROJECT
ADD97277
SHEET
8
OF
20