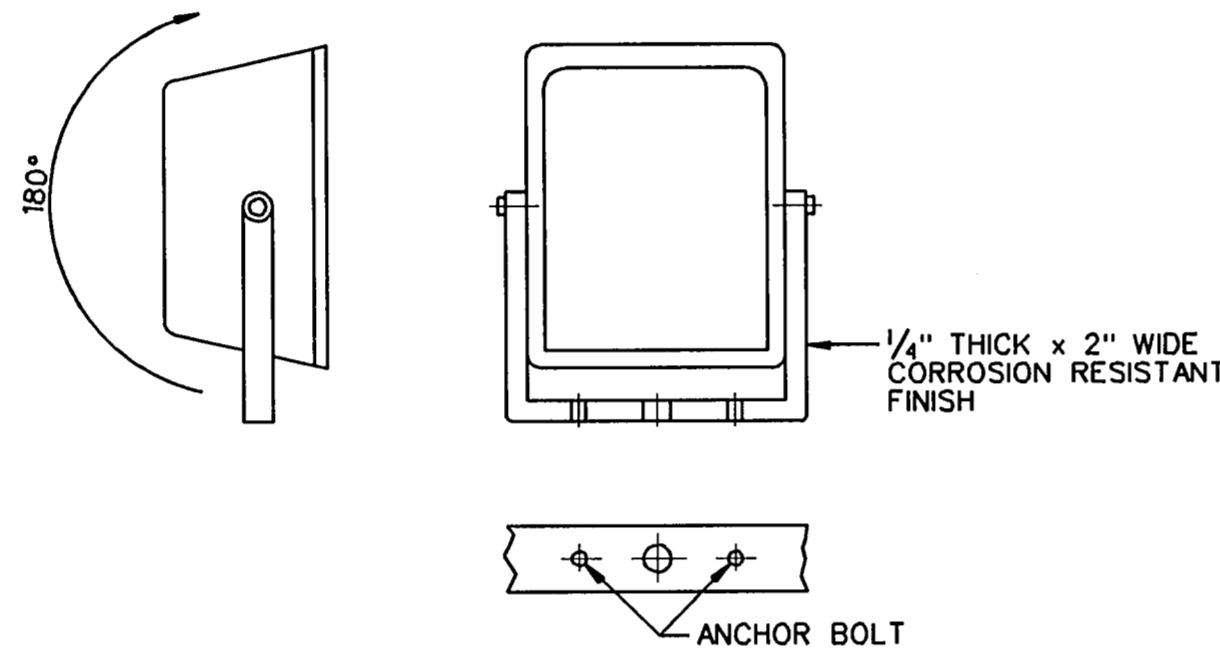
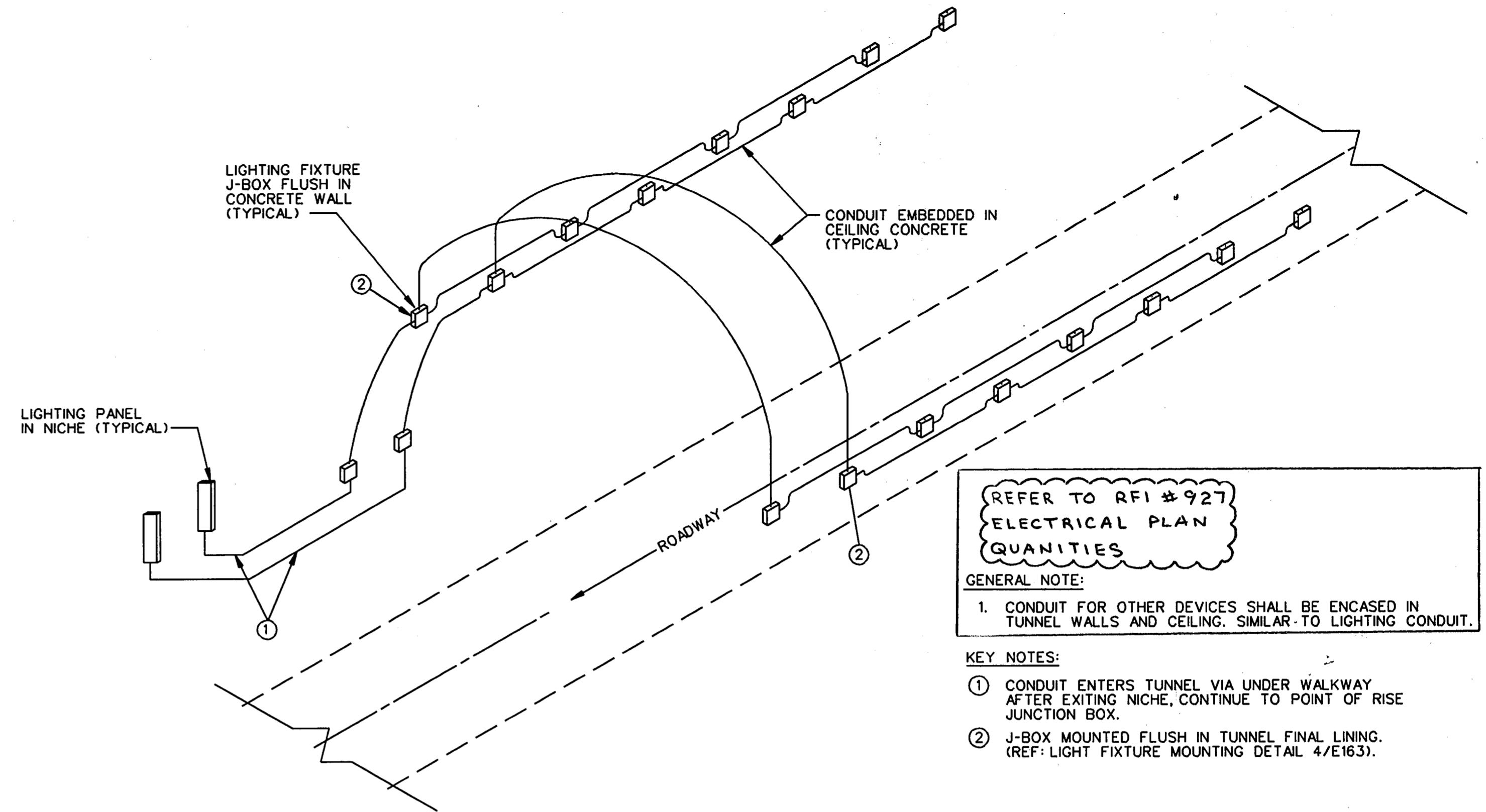


1 GROUNDING SYSTEM SCHEMATIC
E166 NO SCALE

- KEY NOTES (GROUNDING SYSTEM SCHEMATIC ONLY):
- 1 NEUTRAL BUS IN SWITCHBOARD.
 - 2 NEUTRAL DISCONNECT LINK.
 - 3 GROUND BUS.
 - 4 GROUNDING SYSTEM CONNECTION.
 - 5 SYSTEM GROUND CONDUCTORS IN CONDUIT; SEE ONE-LINE DIAGRAM, 1/E161, FOR FURTHER INFORMATION.
 - 6 GROUND PLATE, INSTALL 3/8" x 12" x 4" COPPER PLATE IN NICHE WALL; BOND COPPER CONDUCTORS AS REQUIRED FROM GROUND ROD TO GROUND PLATE. PROVIDE DRILLED AND TAPPED HOLES IN GROUND PLATE FOR GROUND LUGS.
 - 7 PROVIDE GROUND TEST WELL AT EACH NICHE. (TYP.)
 - 8 ADD SUFFICIENT NUMBER OF GROUND RODS TO BRING GROUND RESISTANCE TO LESS THAN 25 OHMS, SEE SPECIFICATIONS SECTION 16452 FOR FURTHER INFORMATION.



6 MOUNTING BRACKET DETAIL
E166 NO SCALE

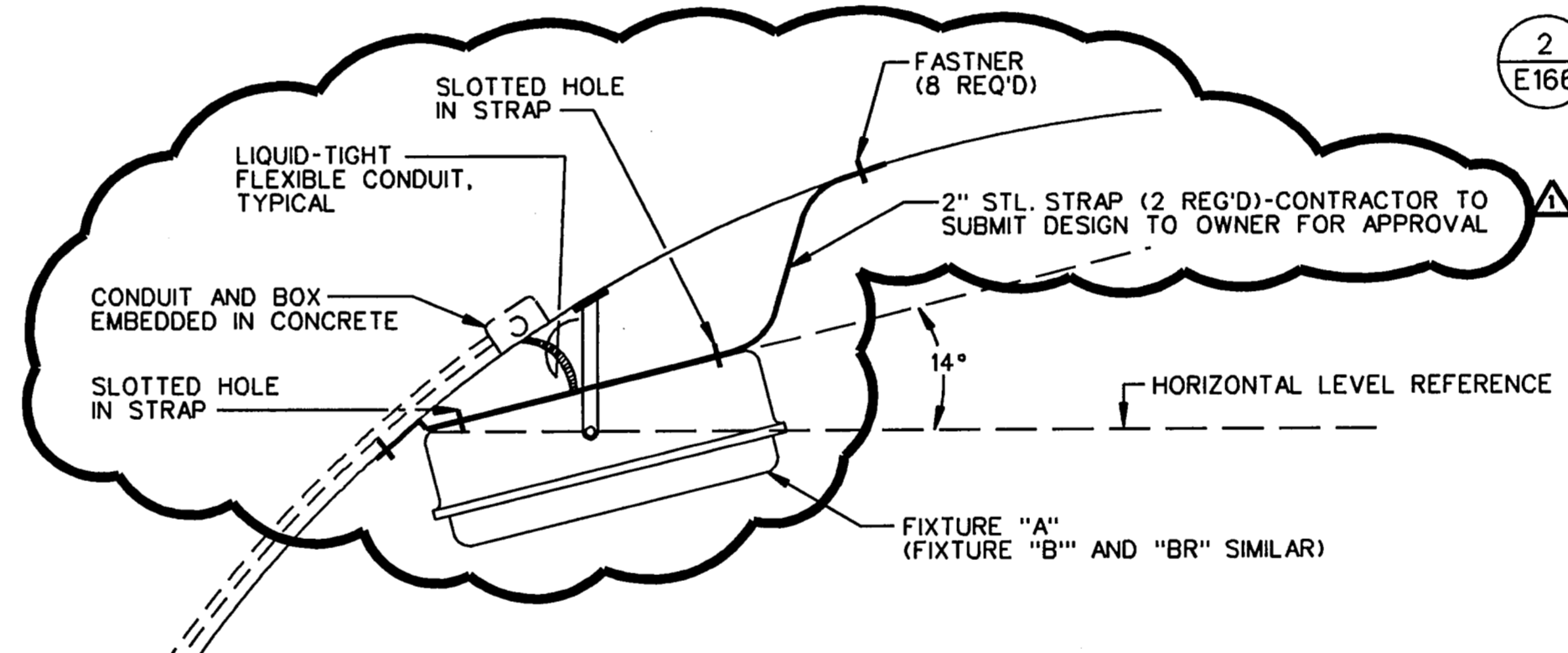


REFER TO RFI #927
ELECTRICAL PLAN
QUANTITIES

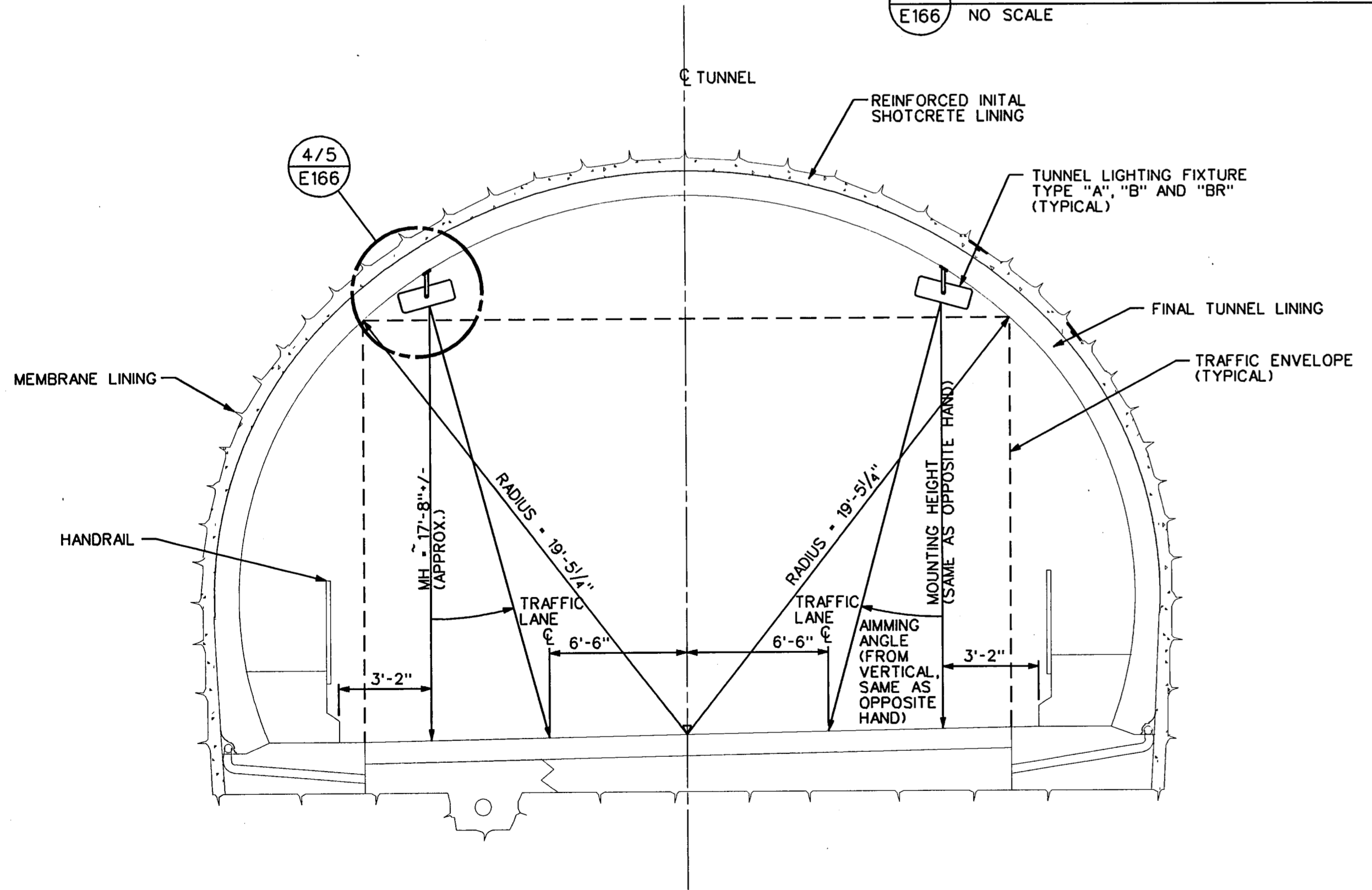
GENERAL NOTE:
1. CONDUIT FOR OTHER DEVICES SHALL BE ENCASED IN TUNNEL WALLS AND CEILING, SIMILAR TO LIGHTING CONDUIT.

- KEY NOTES:
- 1 CONDUIT ENTERS TUNNEL VIA UNDER WALKWAY AFTER EXITING NICHE, CONTINUE TO POINT OF RISE JUNCTION BOX.
 - 2 J-BOX MOUNTED FLUSH IN TUNNEL FINAL LINING. (REF: LIGHT FIXTURE MOUNTING DETAIL 4/E163).

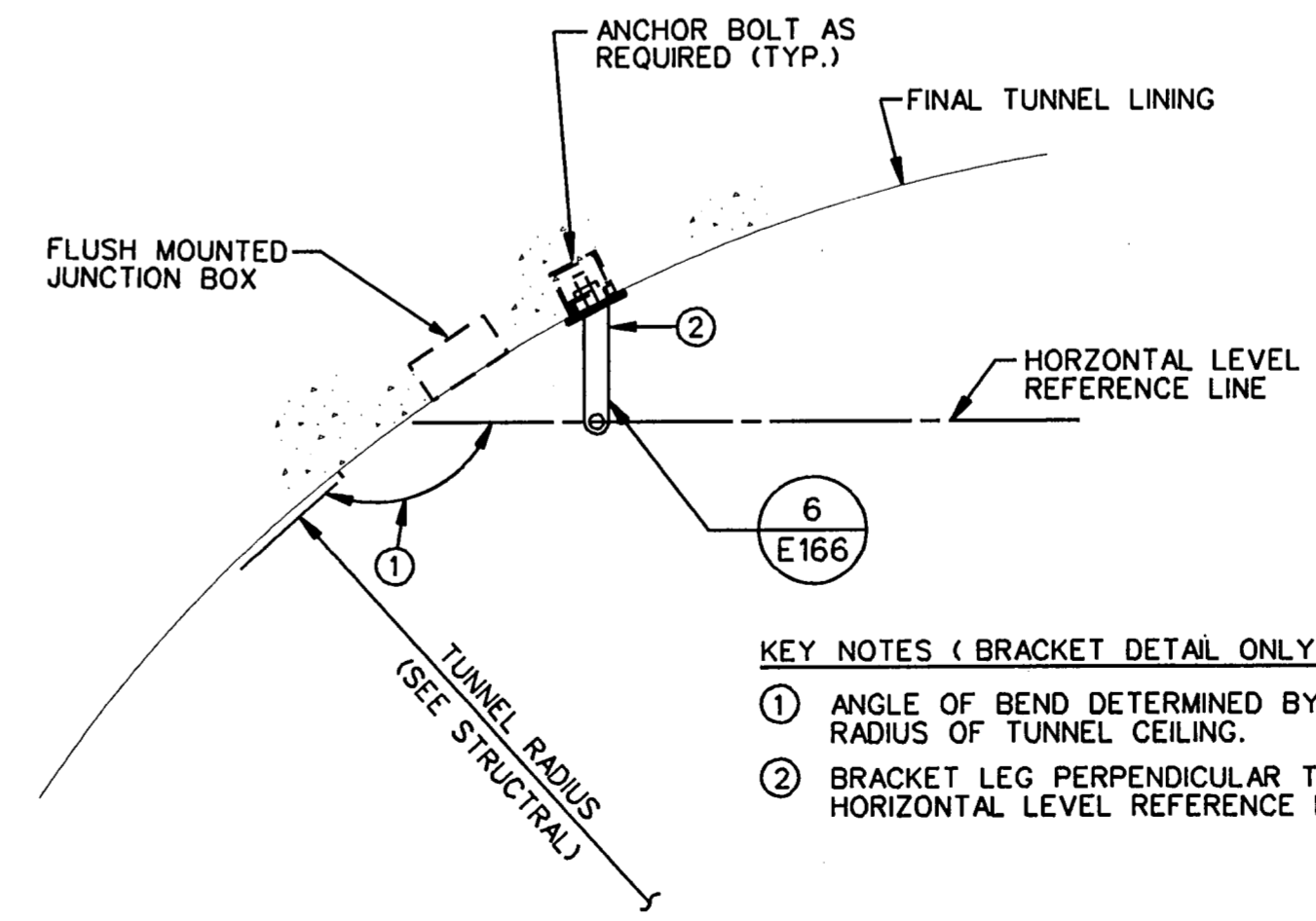
2 TYPICAL TUNNEL CONDUIT SYSTEM DETAIL
E166 NO SCALE



5 TYPICAL TUNNEL LIGHTING FIXTURE MOUNTING DETAIL
E166 NO SCALE

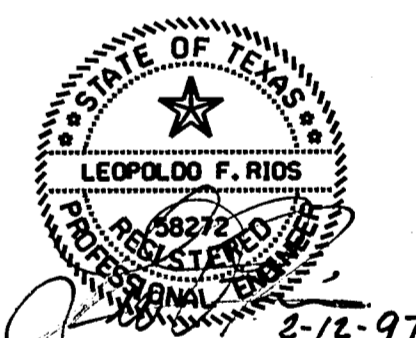


3 TUNNEL CROSS SECTION/LIGHTING FIXTURE MOUNTING AND AIMING DETAIL
E166 NO SCALE



4 TYPICAL TUNNEL LIGHTING FIXTURE MOUNTING BRACKET DETAIL
E166 NO SCALE

- KEY NOTES (BRACKET DETAIL ONLY):
- 1 ANGLE OF BEND DETERMINED BY RADIUS OF TUNNEL CEILING.
 - 2 BRACKET LEG PERPENDICULAR TO HORIZONTAL LEVEL REFERENCE LINE.



THE SEAL APPEARING ON THIS DOCUMENT WAS AUTHORIZED BY LEOPOLDO F. RIOS, P.E., 58272 ON SEPTEMBER 9, 1996

FINAL RECORD
DRAWING
Date: 12/25/99

2 REVISED PER RFI #927
ADDENDUM No. 1 LR 2/12/97

No.	REVISION	BY	DATE

TEXAS TURNPIKE AUTHORITY
ADDISON AIRPORT TUNNEL

DETAILS

HDR HDR Engineering, Inc. SECTION XIII

DRAWN: WTD DATE: 12/05/96 DESIGNED: LR DATE: 08/28/96
CHECKED: BL DATE: 08/28/96 SCALE: NONE

CONTRACT No. DNT-260 SHEET E166 OF 166