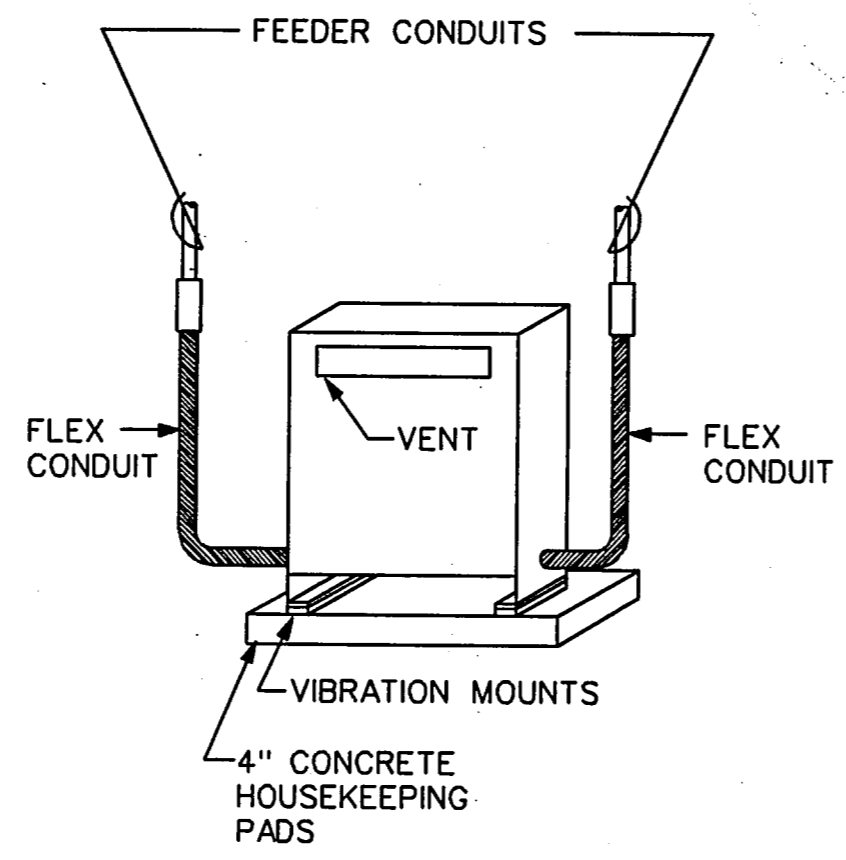
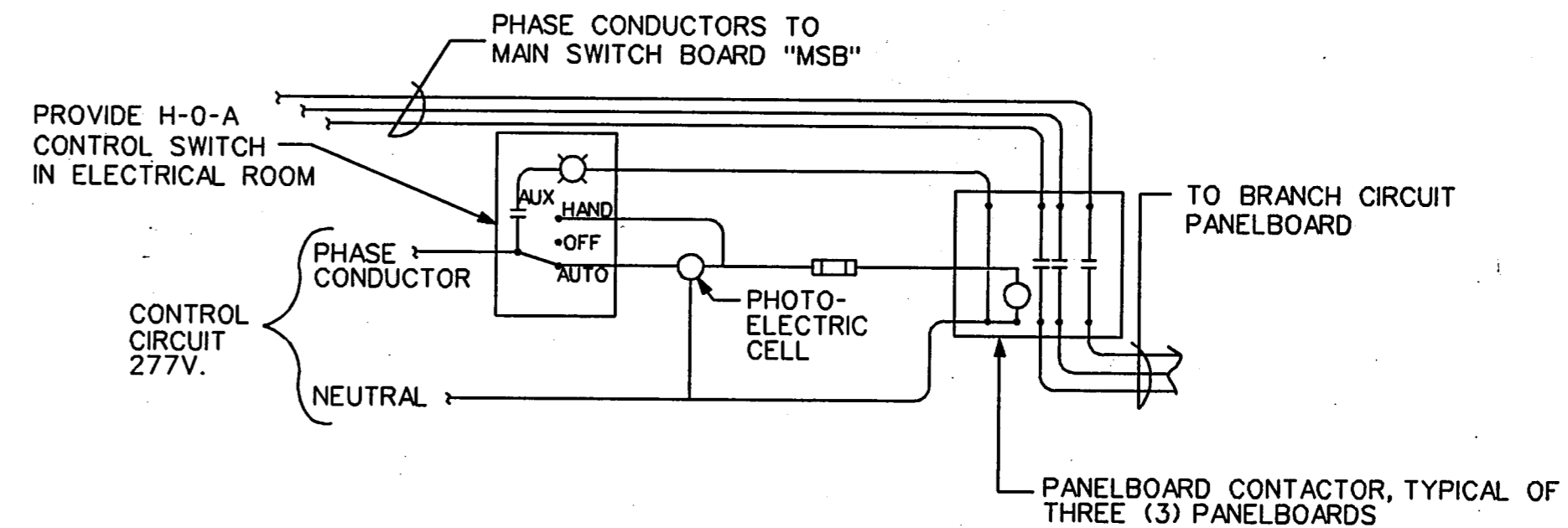


1 TYPICAL REINFORCED CONDUIT DUCT DETAIL  
E166A NO SCALE



2 TYPICAL FLOOR MOUNTED TRANSFORMER DETAIL  
E166A NO SCALE

- NOTES:
1. MAINTAIN MINIMUM OF 6" DISTANCE FROM VERTICAL CONSTRUCTION (WALLS, DUCTS, ETC.) AND 12" FROM ALL HORIZONTAL CONSTRUCTIONS (CEILINGS, DUCTS, ETC.)
  2. FLEXIBLE CONDUIT SHALL BE LENGTH IN SPECIFICATIONS AND POSITIONED TO AVOID TRANSMISSION OF VIBRATION.
  3. VIBRATION ISOLATORS SHALL BE SUBMITTED FOR APPROVAL.



NOTE:  
LIGHTING CONTROL SIMILAR EXCEPT SINGLE PHASE.

3 TYPICAL PHOTOELECTRIC CELL/  
CONTRACTOR CONTROL DETAIL  
E166A NO SCALE



THE SEAL APPEARING ON THIS DOCUMENT WAS AUTHORIZED BY LEOPOLDO F. RIOS, P.E., 58272 ON SEPTEMBER 9, 1996

FINAL RECORD  
DRAWING  
Date: 12/25/99

No.	REVISION	BY	DATE
TEXAS TURNPIKE AUTHORITY ADDISON AIRPORT TUNNEL			
DETAILS			
HDR Engineering, Inc.			SECTION XIII
DRAWN: WTQ	DATE: 12/05/96	DESIGNED: LR	DATE: 08/28/96
CHECKED: PL	DATE: 08/28/96	SCALE: NONE	
CONTRACT No. DNT-260 SHEET E166A OF 166			