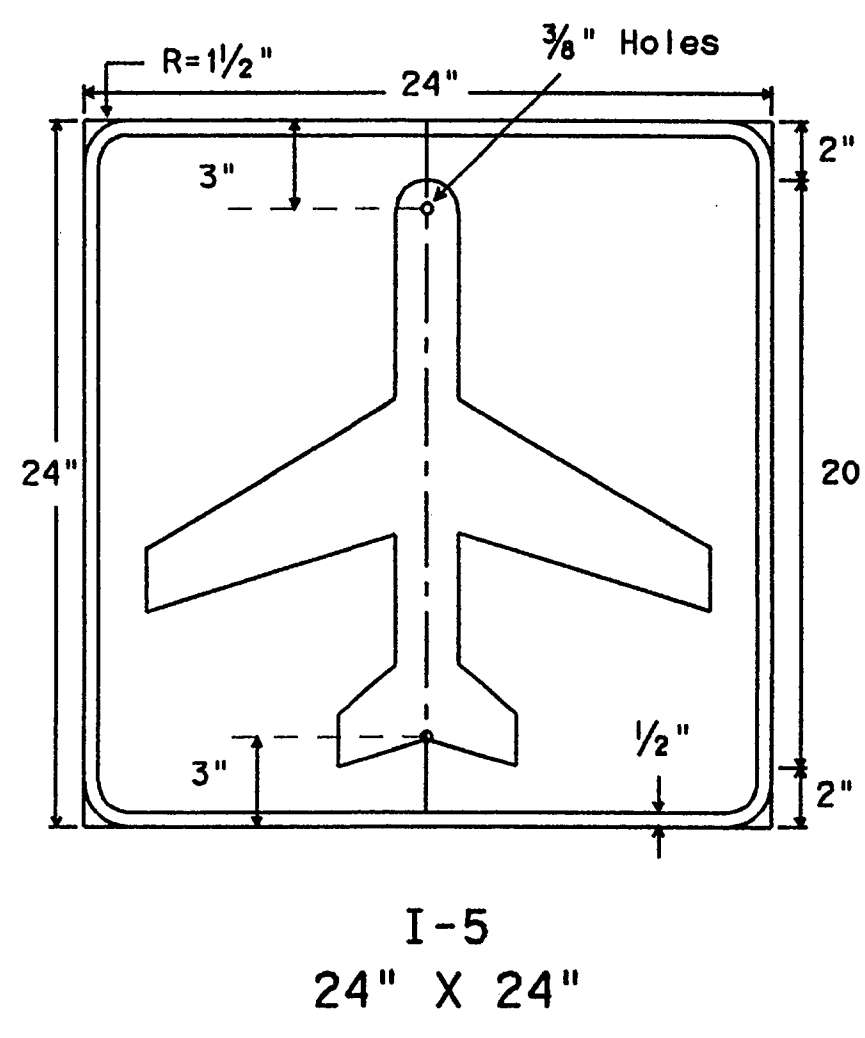


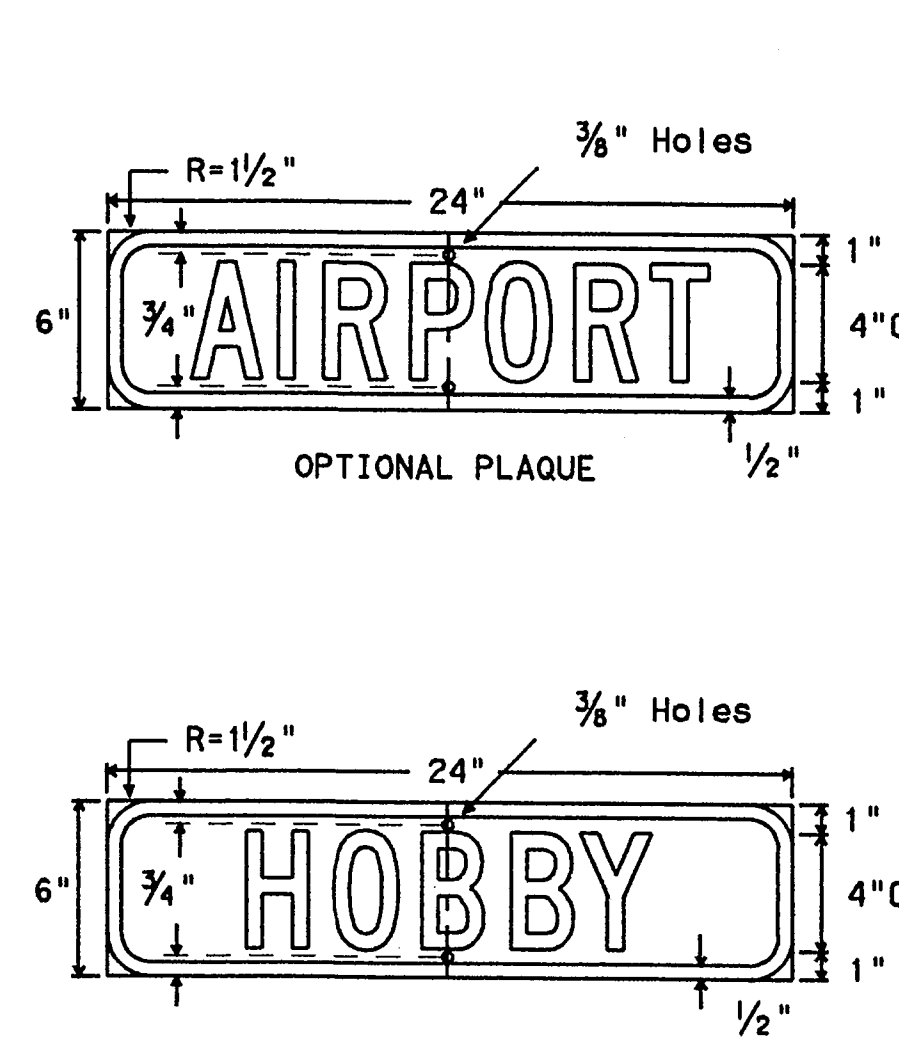
DISCLAIMER
 The use of this standard is governed by the "Texas Engineering Practice Act". No warranty of any kind is made by TxDOT for any purpose whatsoever. TxDOT assumes no responsibility for the conversion of this standard to other formats or for incorrect results or damages resulting from its use.

DATE: 10/11/11
 FILE: 4960151526
 LEVELS DISPLAYED: 1 2 3 4 5 6 7 8 9 10 11 12 13 14 15 16 17 18 19 20 21 22 23 24 25 26 27 28 29 30 31 32 33 34 35 36 37 38 39 40 41 42 43 44 45 46 47 48 49 50
 DW: LR
 CK: CW
 DW: DN
 CK: MT



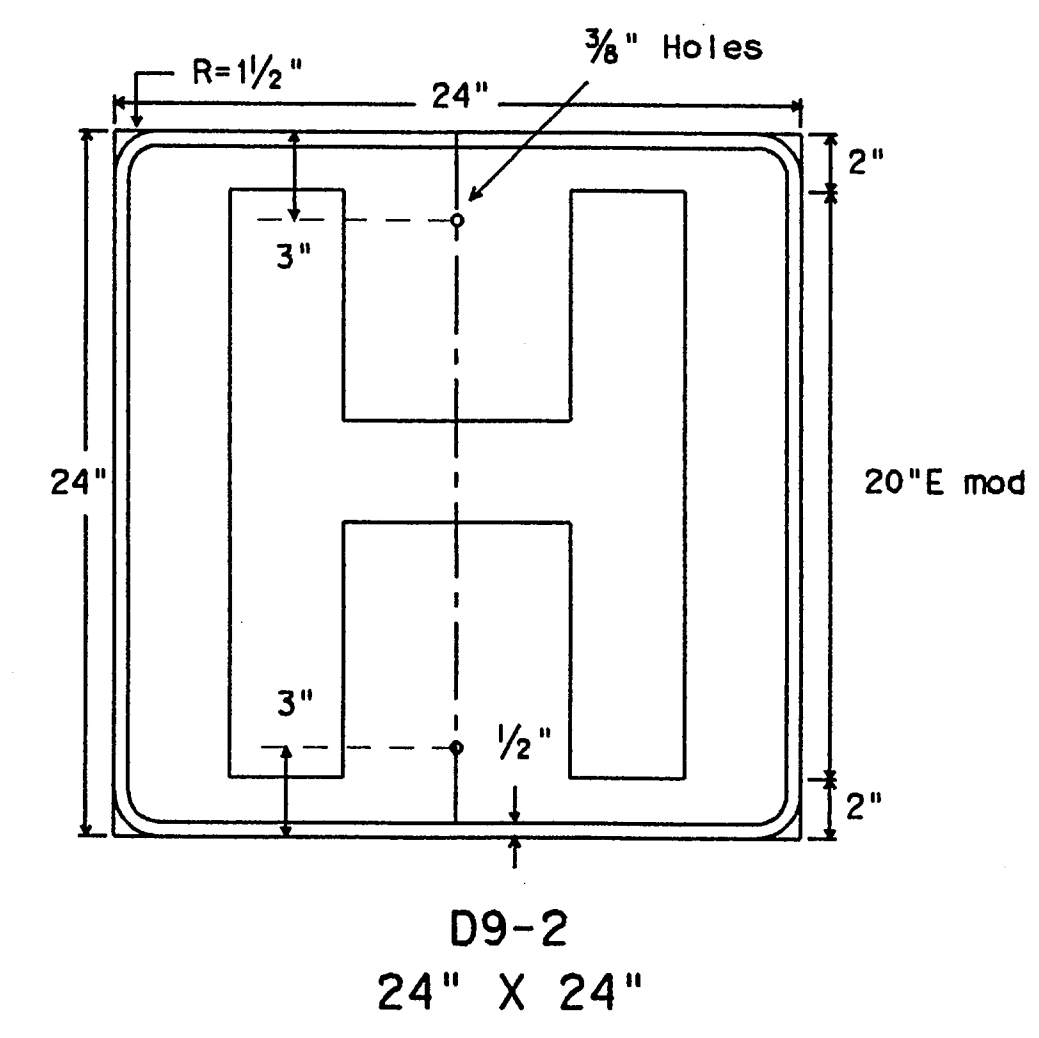
I-5
 24" X 24"

Symbol - White Reflective
 Border - White Reflective
 Background - Green Reflective



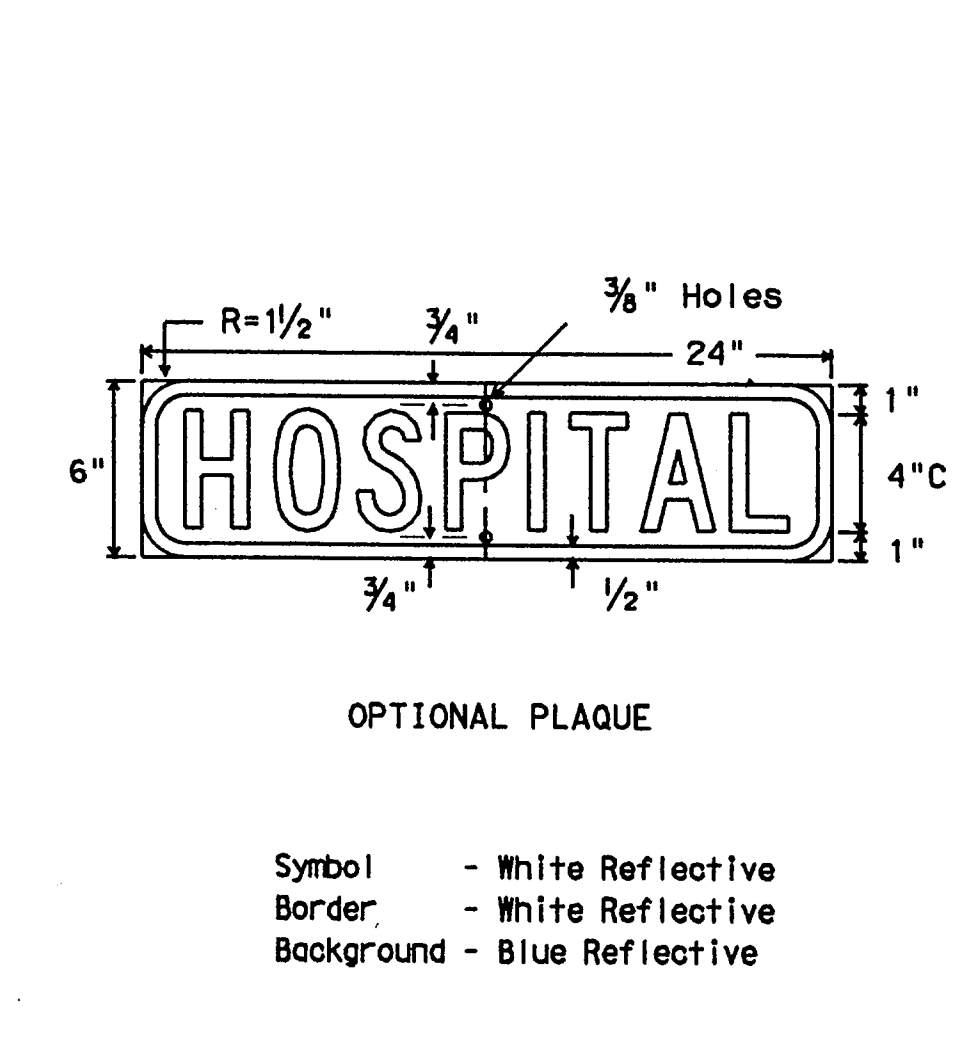
OPTIONAL PLAQUE

Symbol - White Reflective
 Border - White Reflective
 Background - Green Reflective



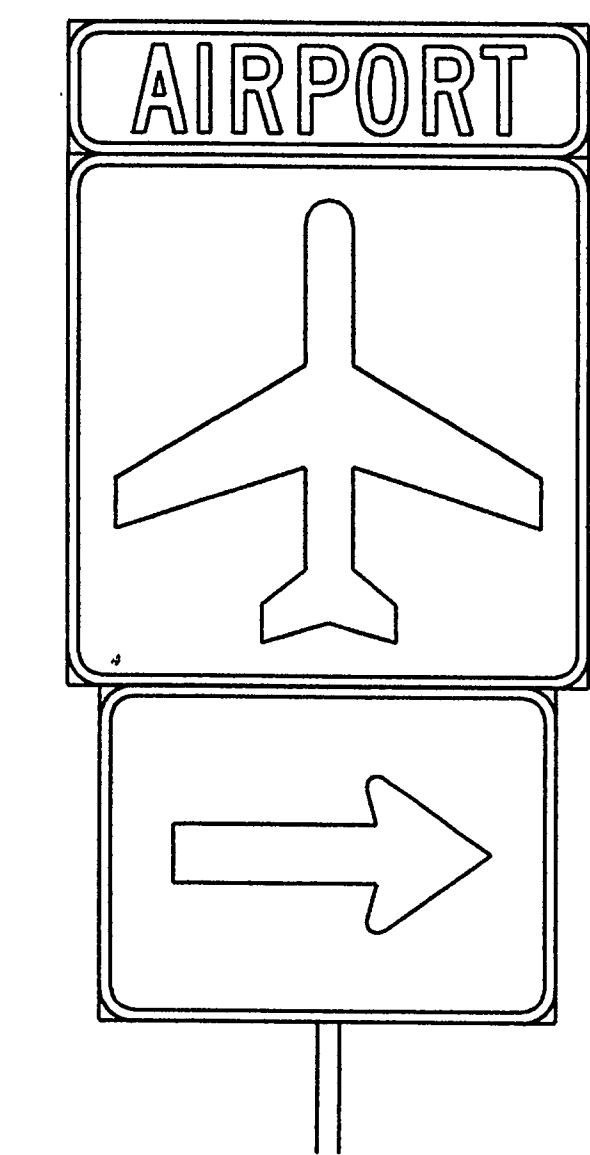
D9-2
 24" X 24"

Symbol - White Reflective
 Border - White Reflective
 Background - Blue Reflective

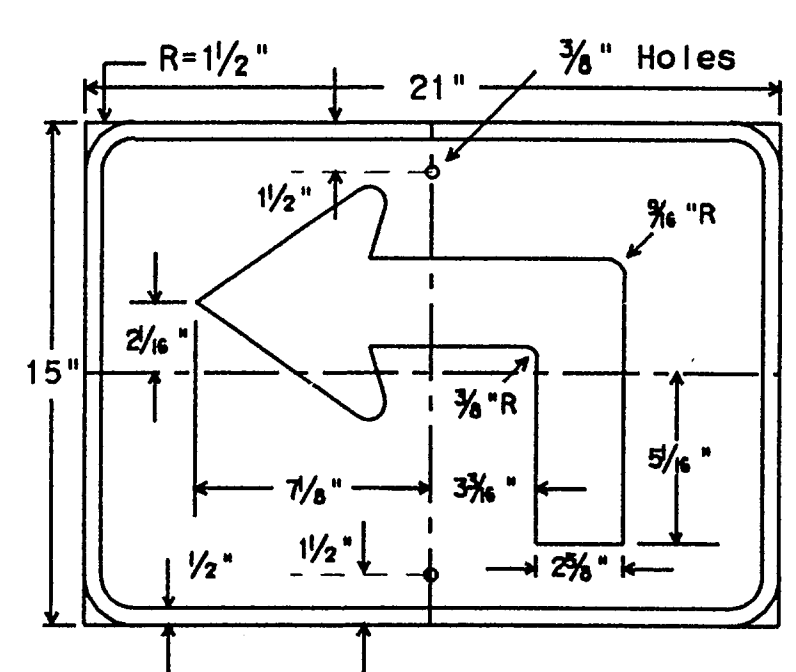
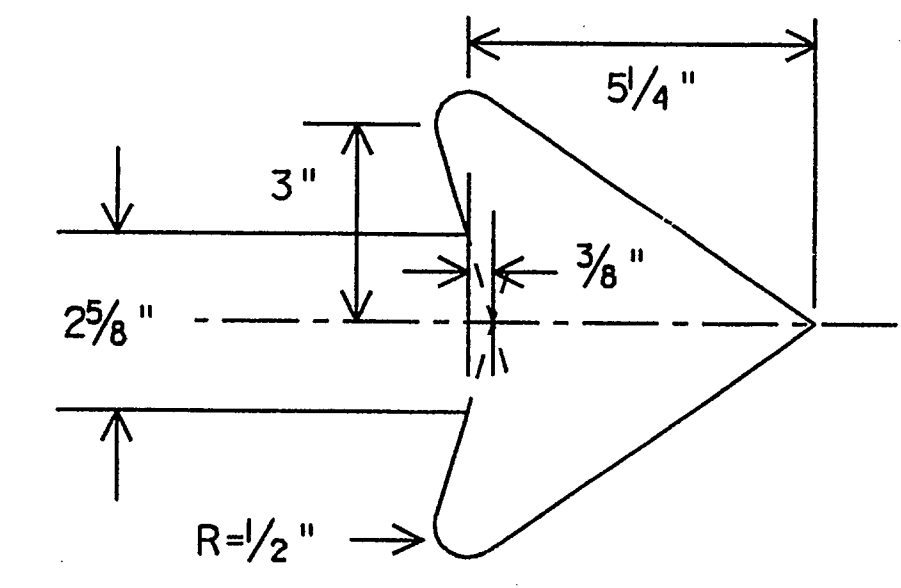


OPTIONAL PLAQUE

Symbol - White Reflective
 Border - White Reflective
 Background - Blue Reflective

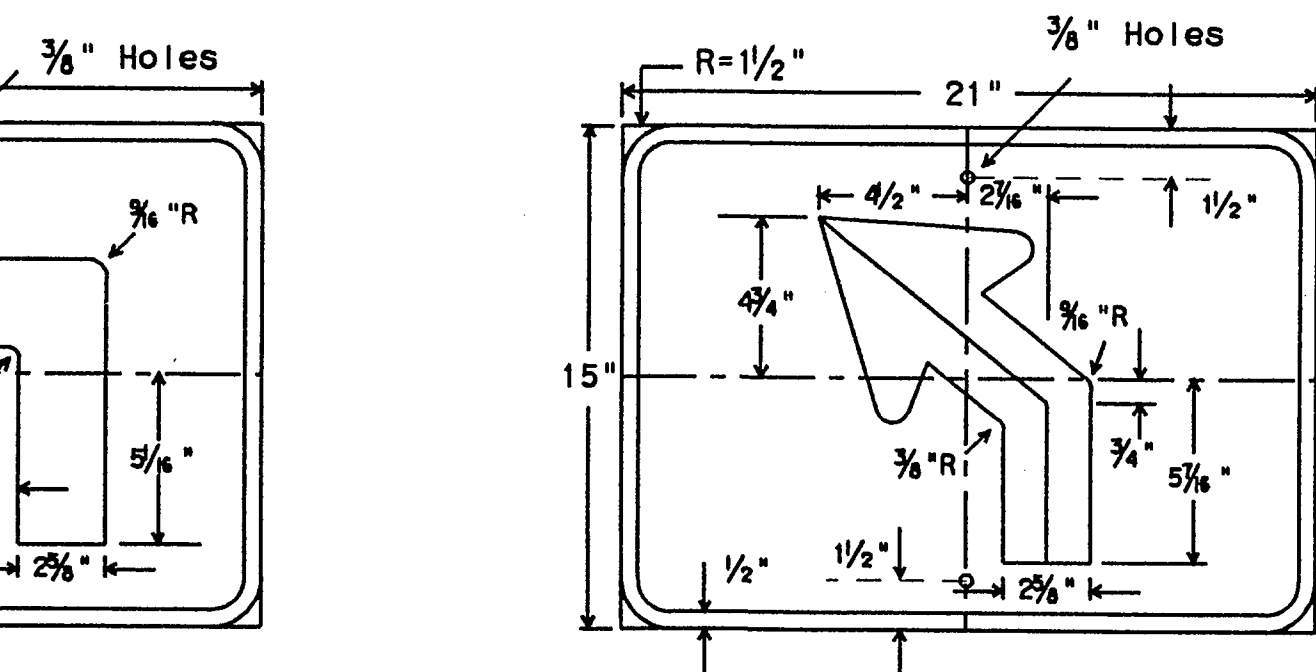


TYPICAL ASSEMBLY



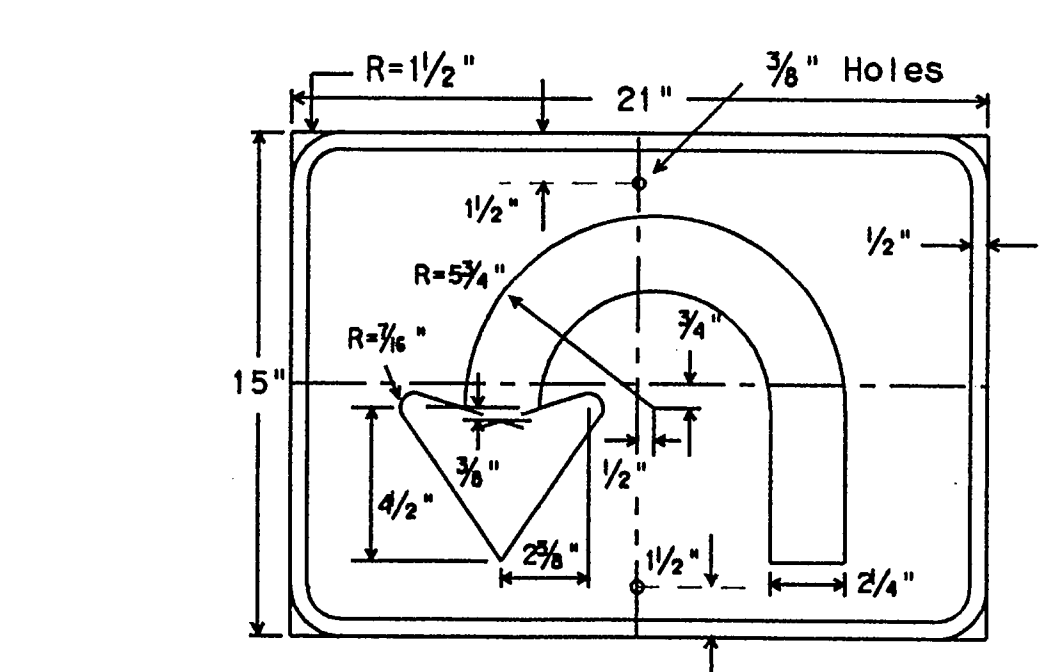
M5-1BL
 M5-1BR
 21" X 15"

Symbol - White Refl.
 Border - White Refl.
 Background - Blue Refl.



M5-2BL
 M5-2BR
 21" X 15"

Symbol - White Refl.
 Border - White Refl.
 Background - Blue Refl.



M5-3BL
 21" X 15"

Symbol - White Refl.
 Border - White Refl.
 Background - Blue Refl.

M5-1GL
 M5-1GR
 21" X 15"

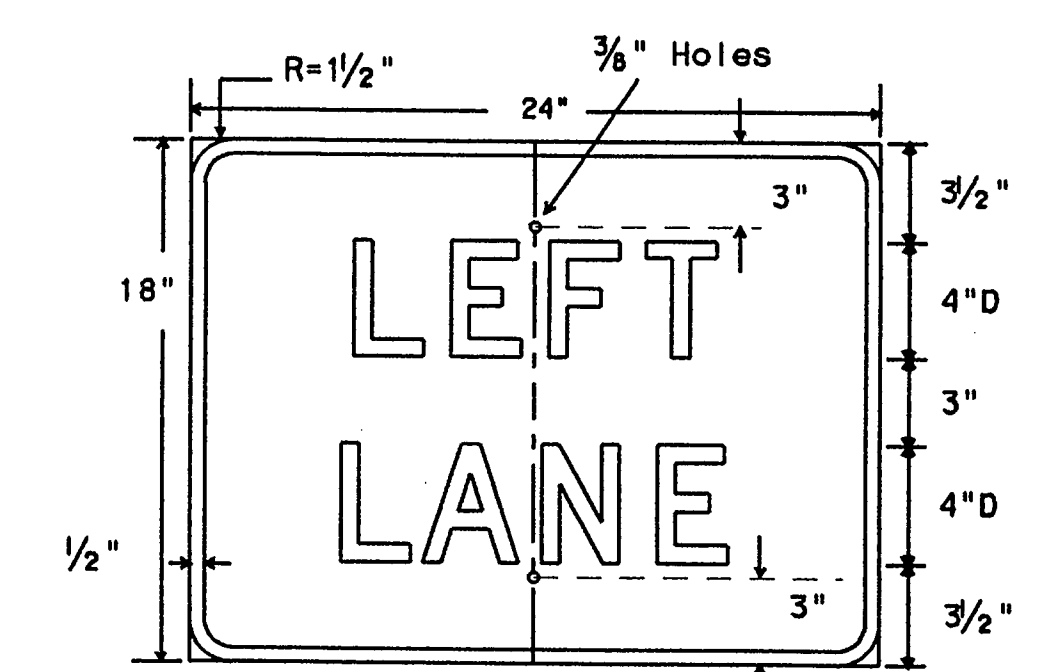
Symbol - White Refl.
 Border - White Refl.
 Background - Green Refl.

M5-2GL
 M5-2GR
 21" X 15"

Symbol - White Refl.
 Border - White Refl.
 Background - Green Refl.

M5-3GL
 21" X 15"

Symbol - White Refl.
 Border - White Refl.
 Background - Green Refl.

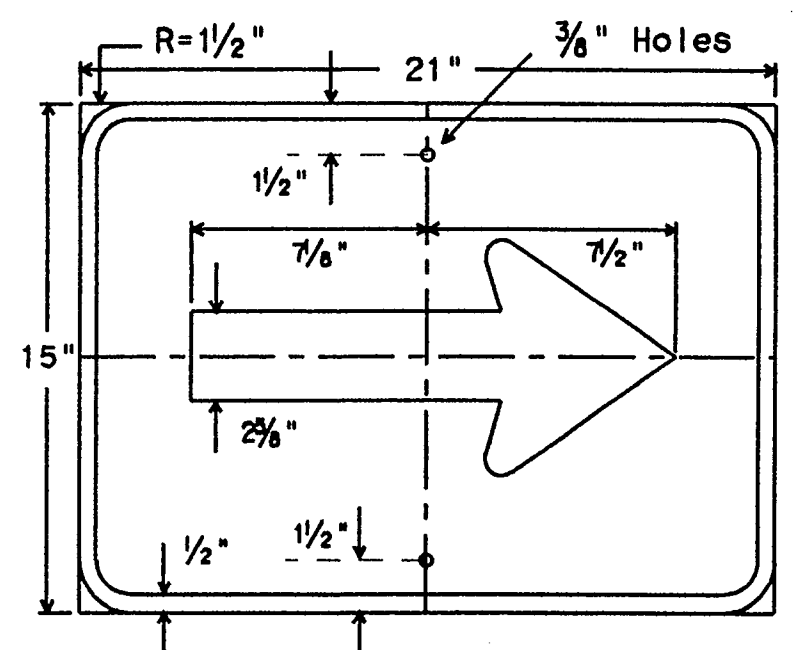


M6-8BL
 24" X 18"

Letters - White Refl.
 Border - White Refl.
 Background - Blue Refl.

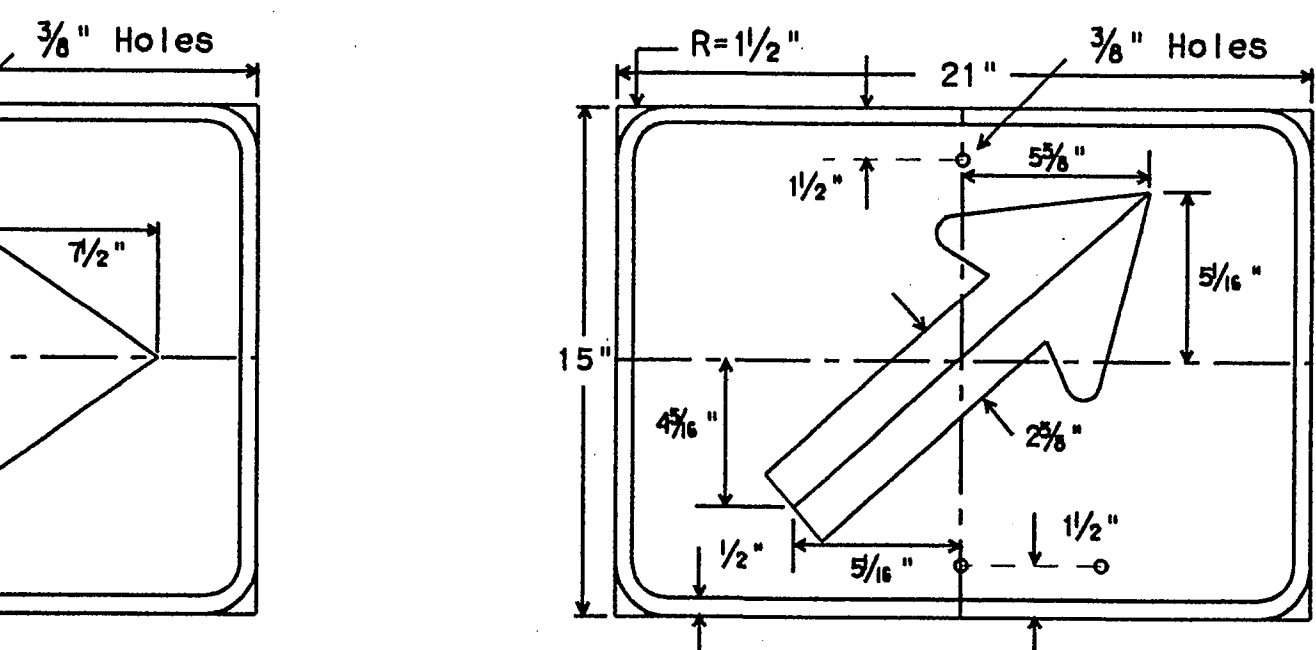
M6-8GL
 24" X 18"

Letters - White Refl.
 Border - White Refl.
 Background - Green Refl.



M6-1B
 21" X 15"

Symbol - White Refl.
 Border - White Refl.
 Background - Blue Refl.

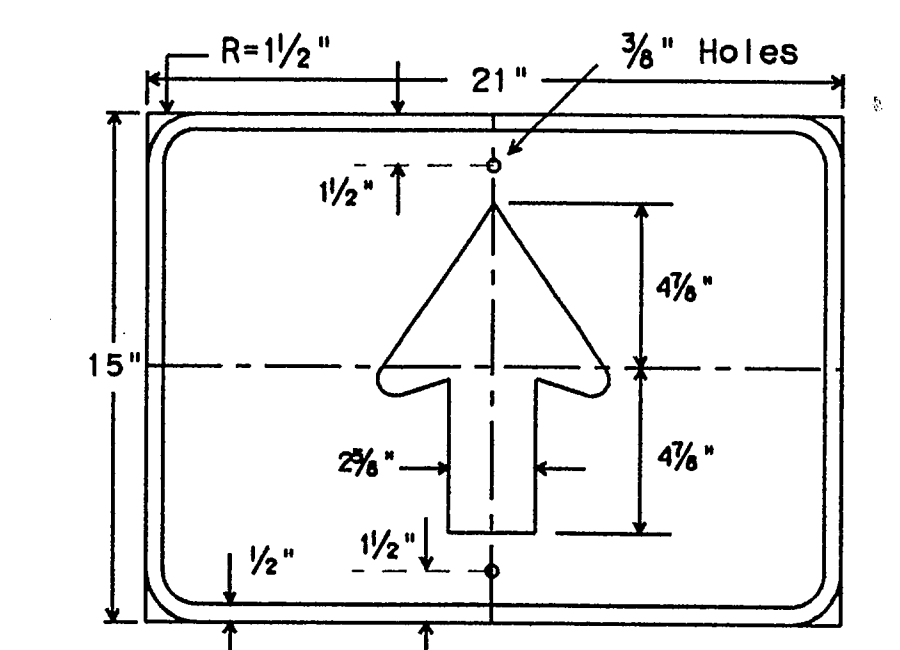


M6-2BR
 M6-2BL
 21" X 15"

Symbol - White Refl.
 Border - White Refl.
 Background - Blue Refl.

M6-2GR
 M6-2GL
 21" X 15"

Symbol - White Refl.
 Border - White Refl.
 Background - Green Refl.

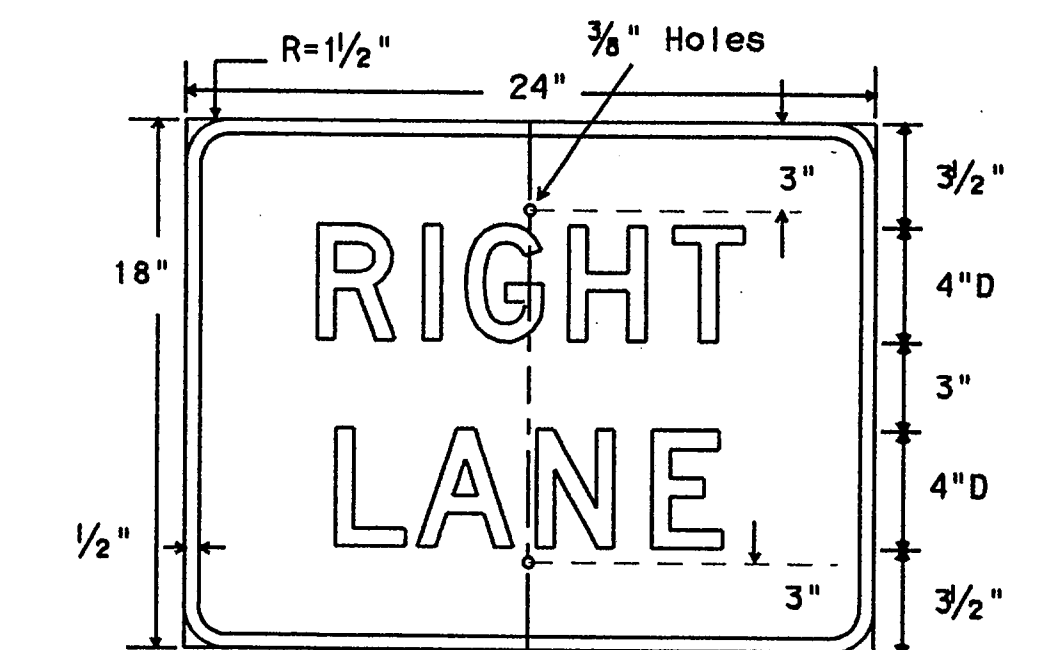


M6-3B
 21" X 15"

Symbol - White Refl.
 Border - White Refl.
 Background - Blue Refl.

M6-3G
 21" X 15"

Symbol - White Refl.
 Border - White Refl.
 Background - Green Refl.



M6-8BR
 24" X 18"

Letters - White Refl.
 Border - White Refl.
 Background - Blue Refl.

M6-8GR
 24" X 18"

Letters - White Refl.
 Border - White Refl.
 Background - Green Refl.

SPECIFICATION REFERENCE TABLE	
MATERIALS AND TESTS DIVISION SPECIFICATIONS	
ALUMINUM SIGN BLANKS	D-9-7110
REFLECTIVE SHEETING, TYPE C (HIGH SPECIFIC INTENSITY)	D-9-8300

GENERAL NOTES:

The alphabets and lateral spacing between letters and numerals shall conform with the Texas "Manual on Uniform Traffic Control Devices for Streets and Highways", latest edition, and any approved changes thereto. Lateral spacing of text shall provide a balanced appearance. All materials shall conform to Department Specifications.

Legend shall be applied by reverse screening process with transparent colored ink, cut-out white reflective sheeting applied to colored background or combination thereof. Background shall be reflective sheeting (Type C).

Sign blanks shall be 0.080 inch thick one piece sheet aluminum alloy conforming with Department Specification "Aluminum Signs (Type A)".

FINAL RECORD
 DRAWING
 Date: 12/25/99

STANDARD PLANS
 TEXAS DEPARTMENT OF TRANSPORTATION
 Traffic Operations Division

AIRPORT, HOSPITAL AND
 DIRECTIONAL MARKERS
 FOR INDEPENDENT MOUNTING

IM(5)-93

DATE: July 1990	DR: LR	CK: CW	DN: DN	CS: -	REG NO: 1
9-93	REVISIONS	STATE DISTRICT	FEDERAL REGION	FEDERAL AID PROJECT	SHEET
		6			33
		COUNTY	CONTROL SECTION	JOB	HIGHWAY