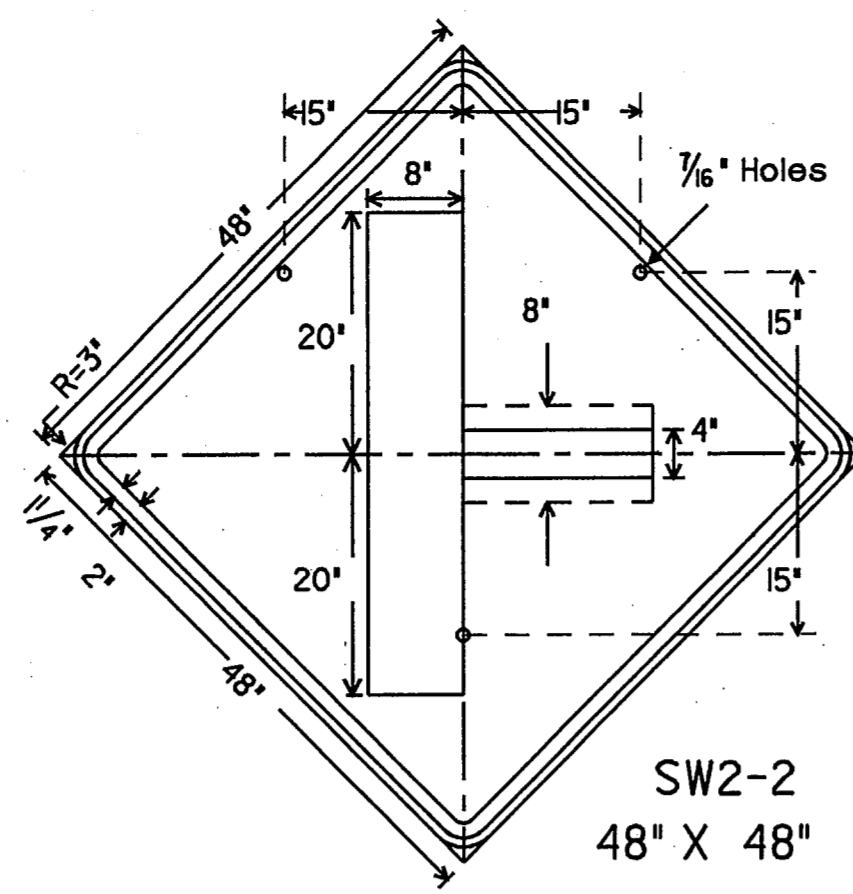
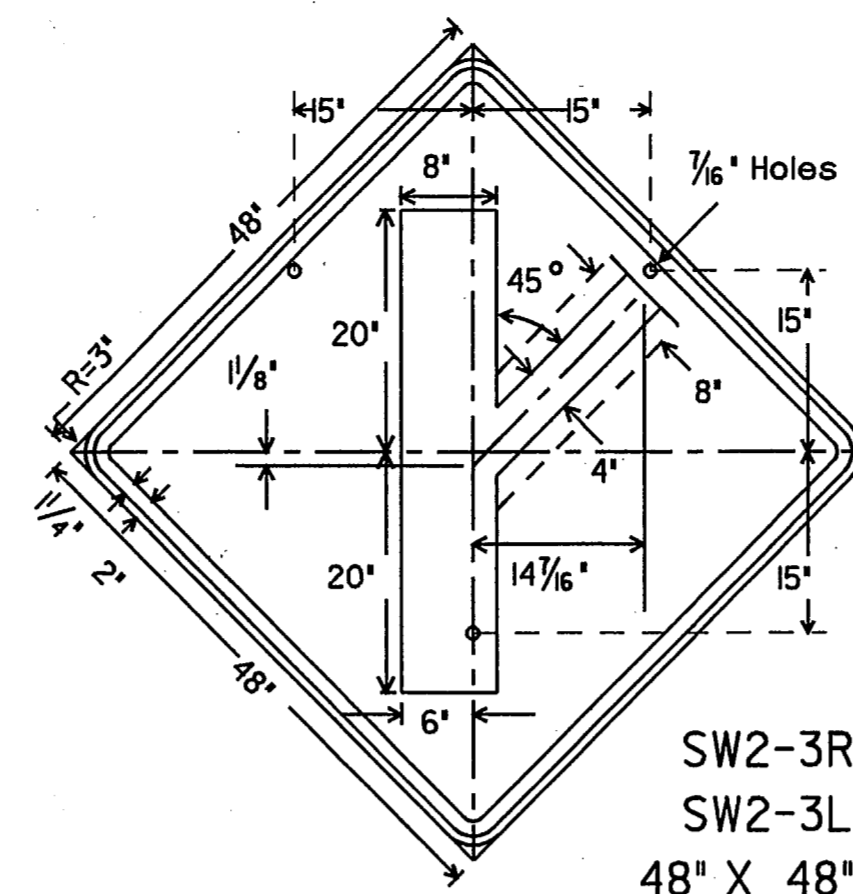


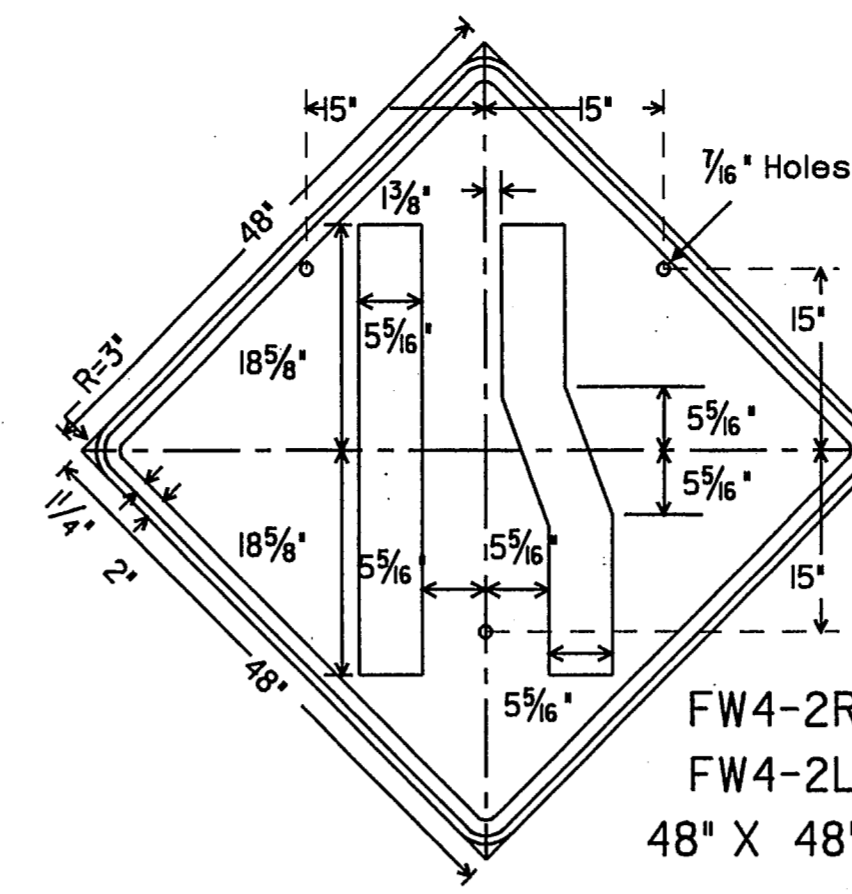
SW2-1
48" X 48"



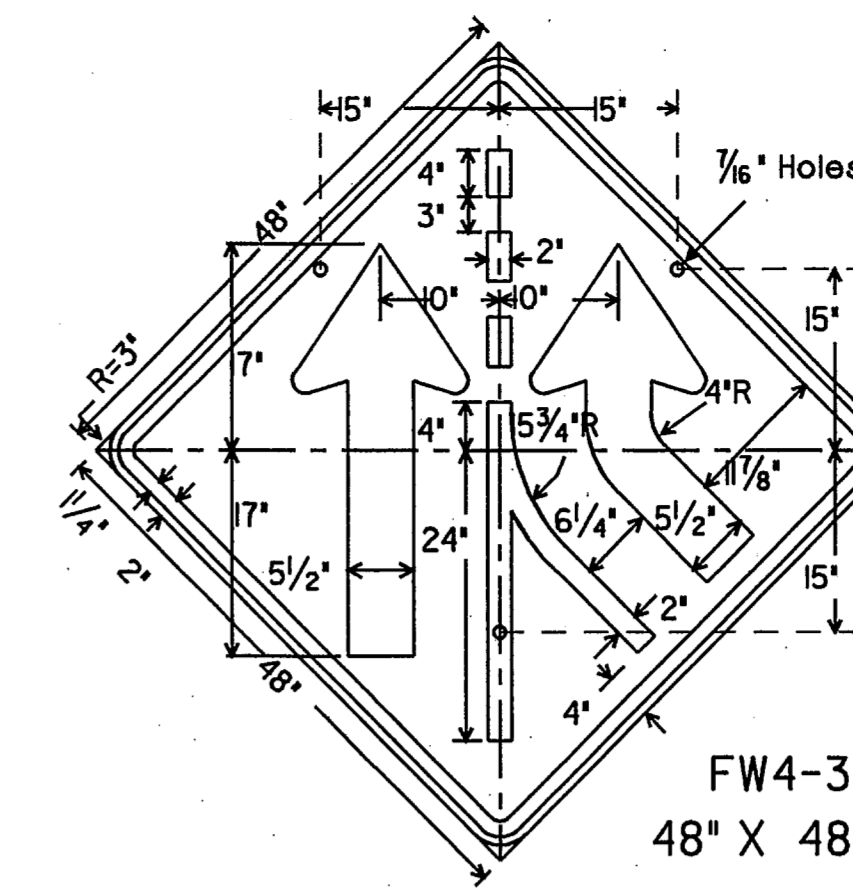
SW2-2
48" X 48"



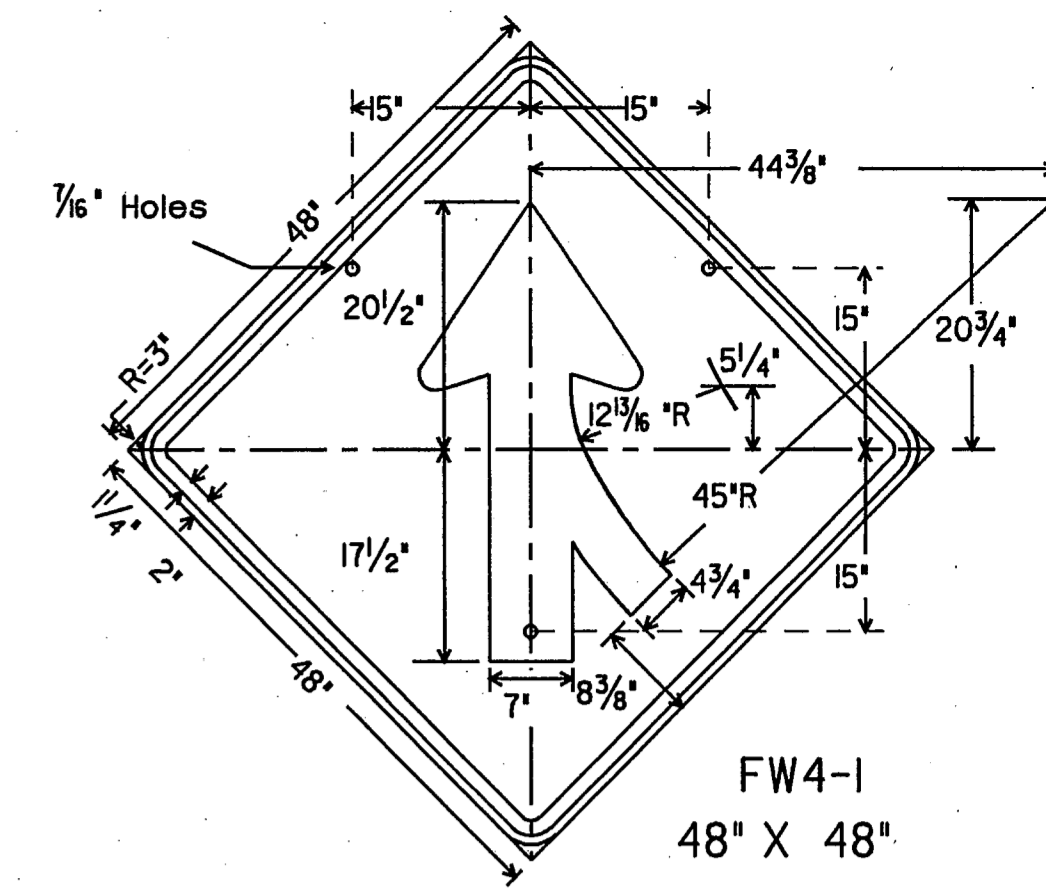
SW2-3R
SW2-3L
48" X 48"



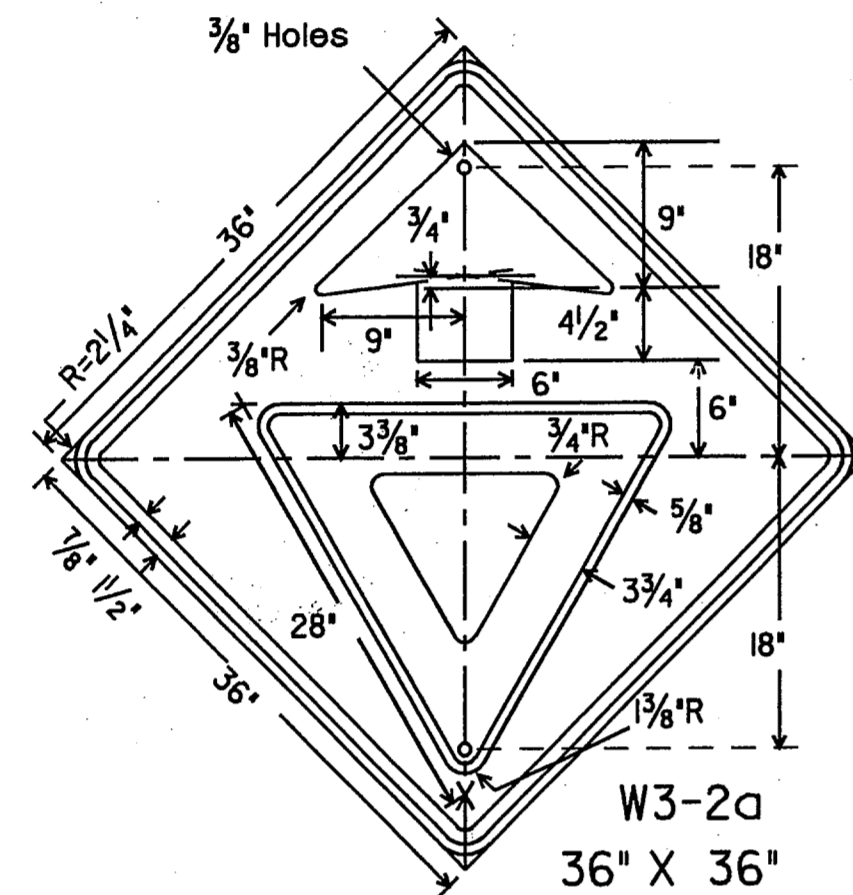
FW4-2R
FW4-2L
48" X 48"



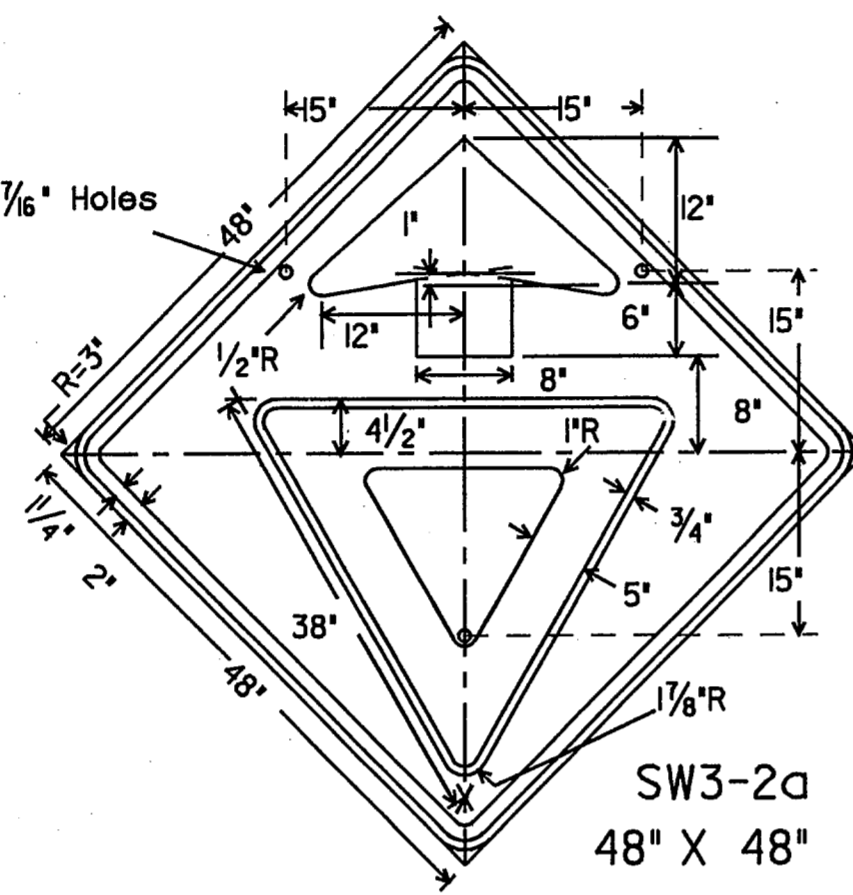
FW4-3
48" X 48"



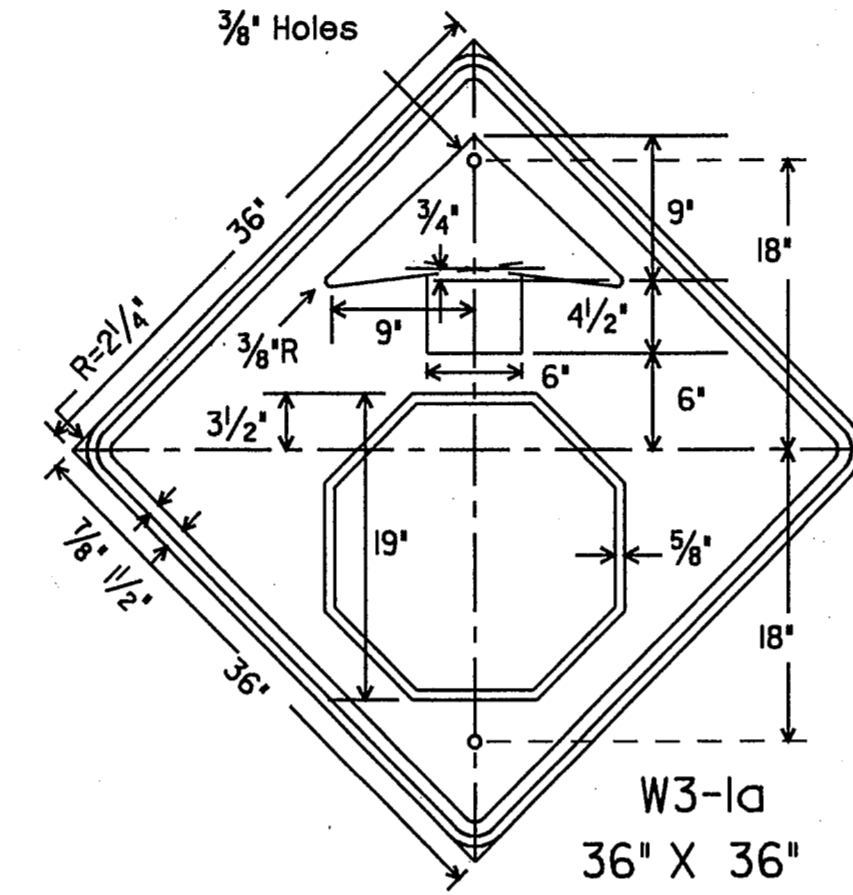
FW4-1
48" X 48"



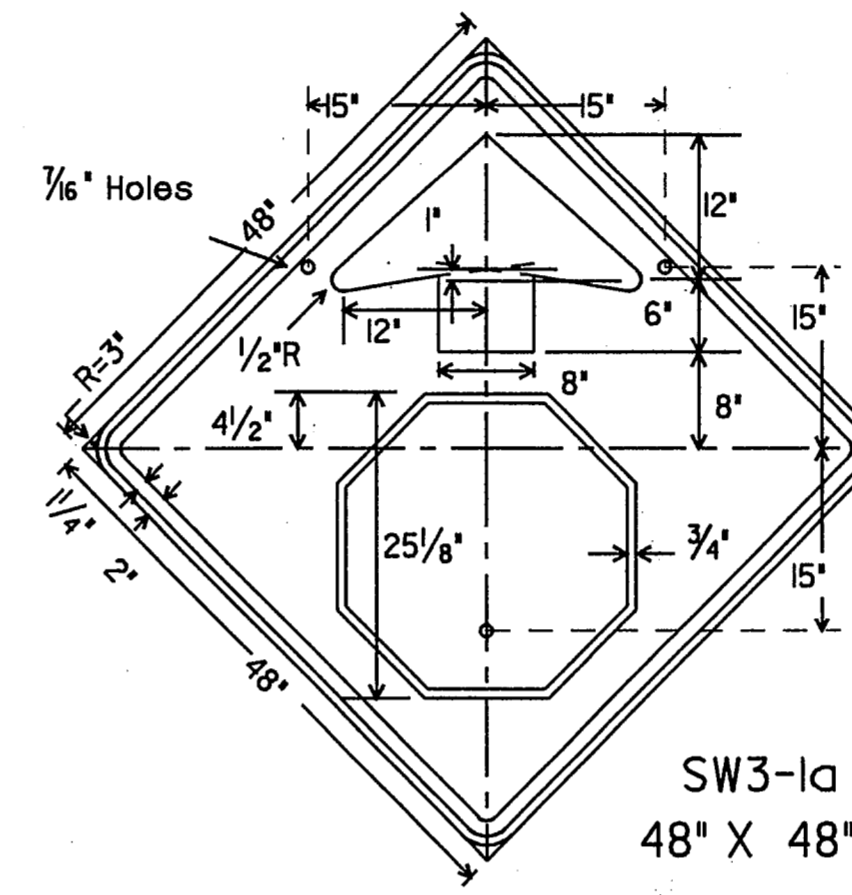
W3-2a
36" X 36"



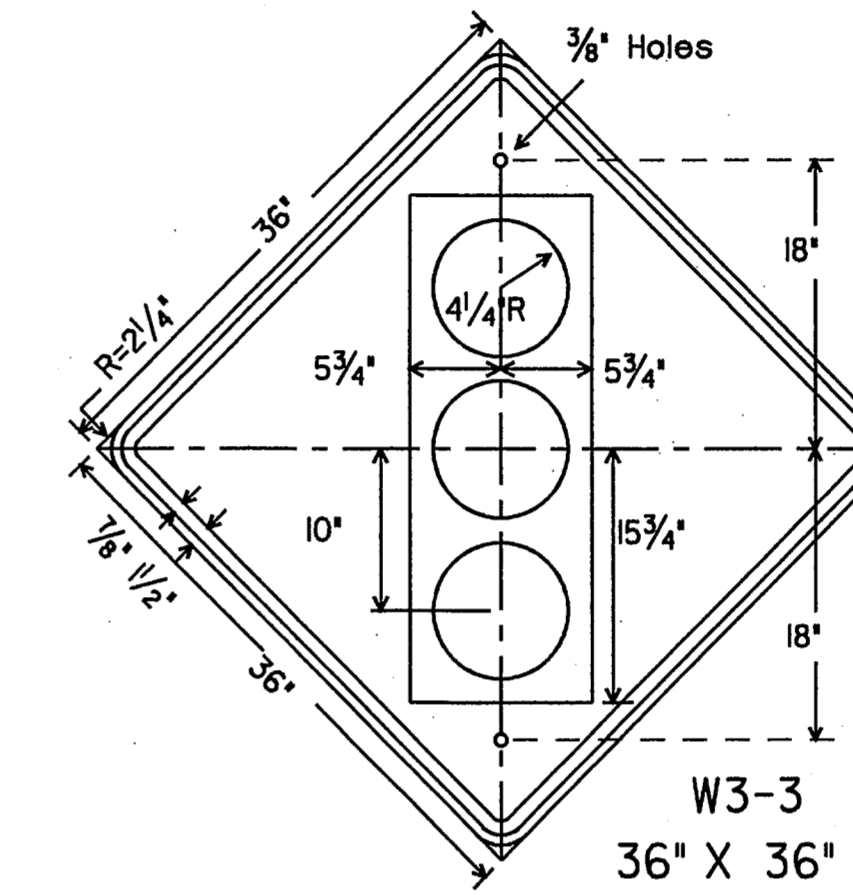
SW3-2a
48" X 48"



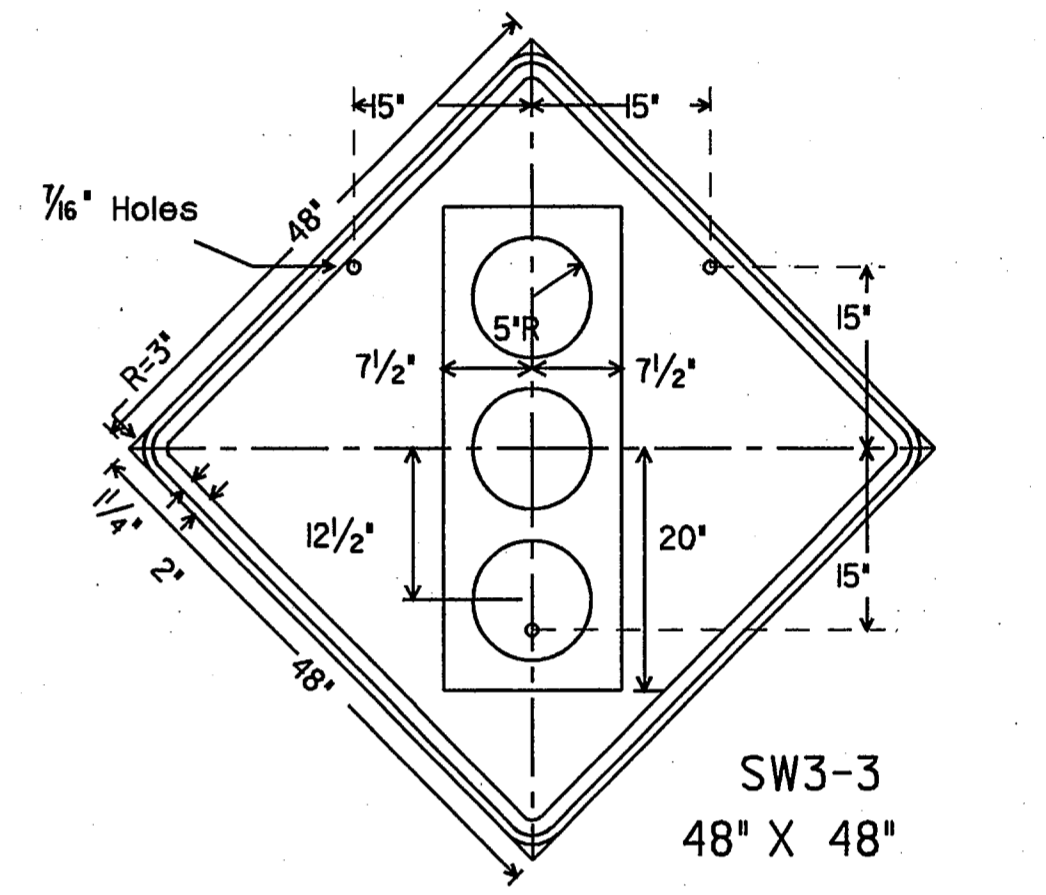
W3-1a
36" X 36"



SW3-1a
48" X 48"

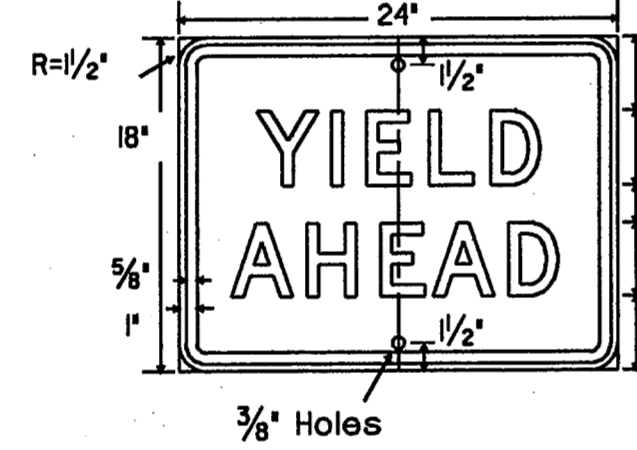


W3-3
36" X 36"



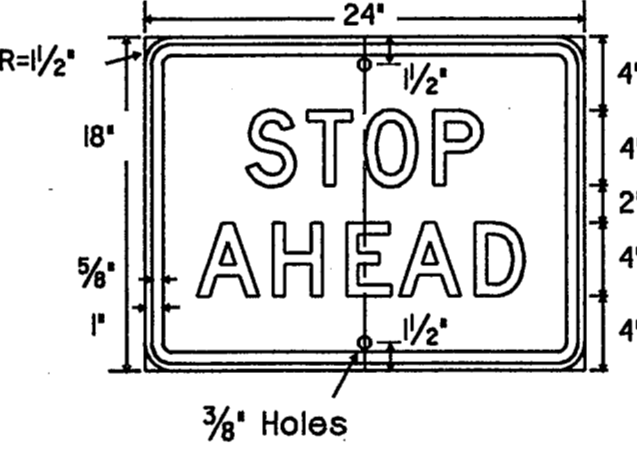
SW3-3
48" X 48"

Border and Arrow - Black
Symbol - Red Border Band on
White Background (Ref)
Background - Yellow Reflective



Border and Arrow - Black
Symbol - Red Border Band on
White Background (Ref)
Background - Yellow Reflective

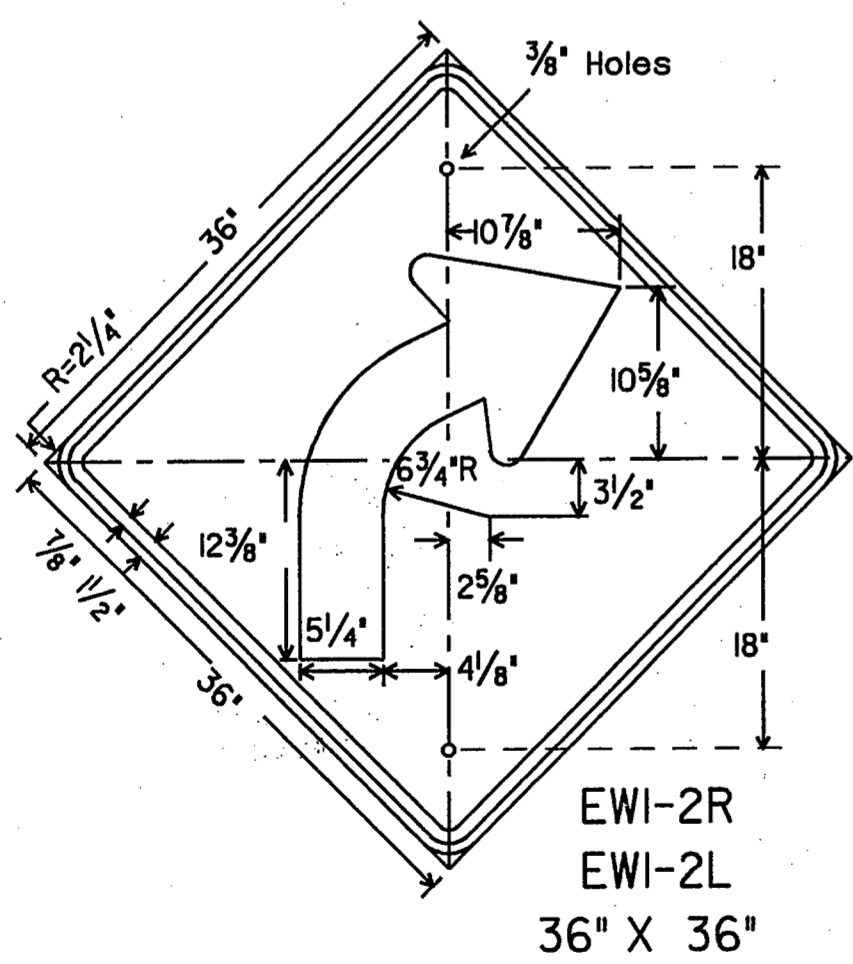
Border and Arrow - Black
Symbol - White Border on
Red Background (Ref)
Background - Yellow Reflective



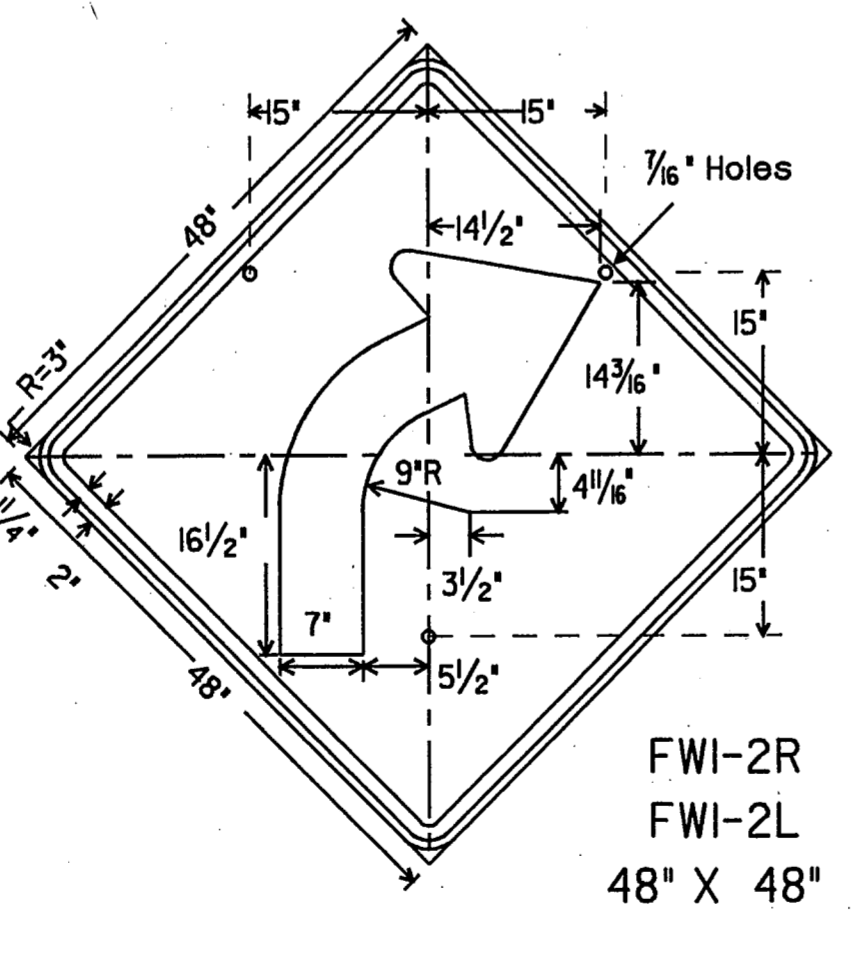
Border and Arrow - Black
Symbol - White Border on
Red Background (Ref)
Background - Yellow Reflective

Symbol and Border - Black
Top Circle - Red Reflective
Bottom Circle - Green Reflective
Background - Yellow Reflective

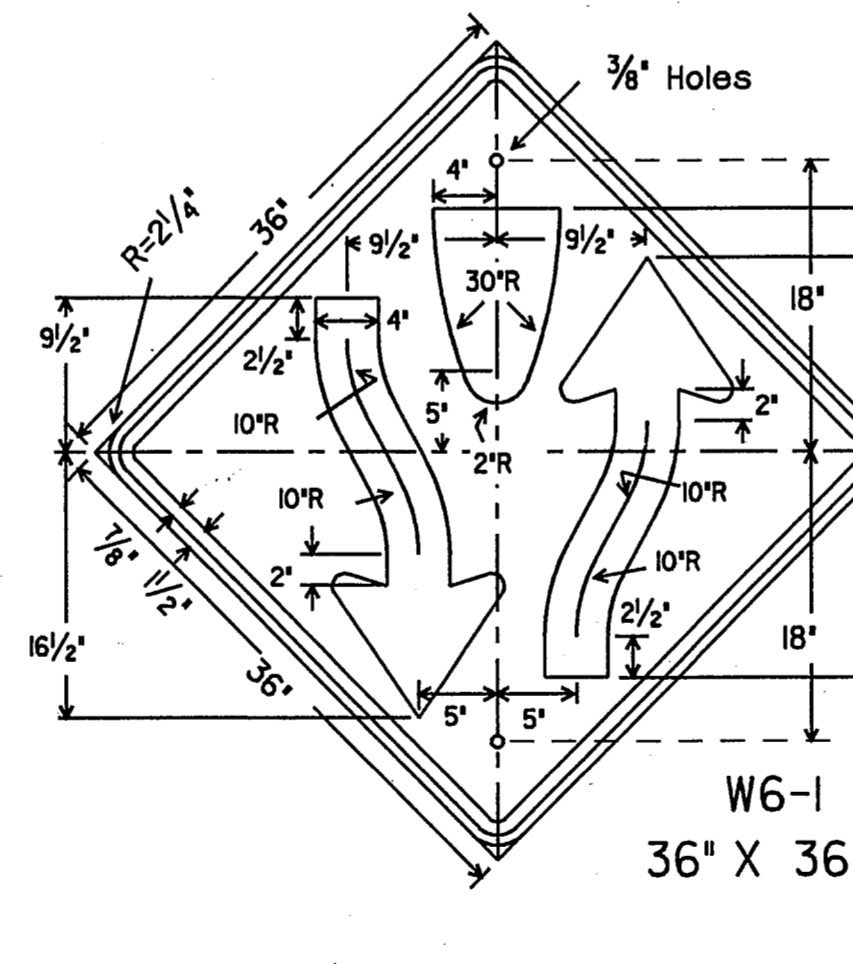
Symbol and Border - Black
Top Circle - Red Reflective
Bottom Circle - Green Reflective
Background - Yellow Reflective



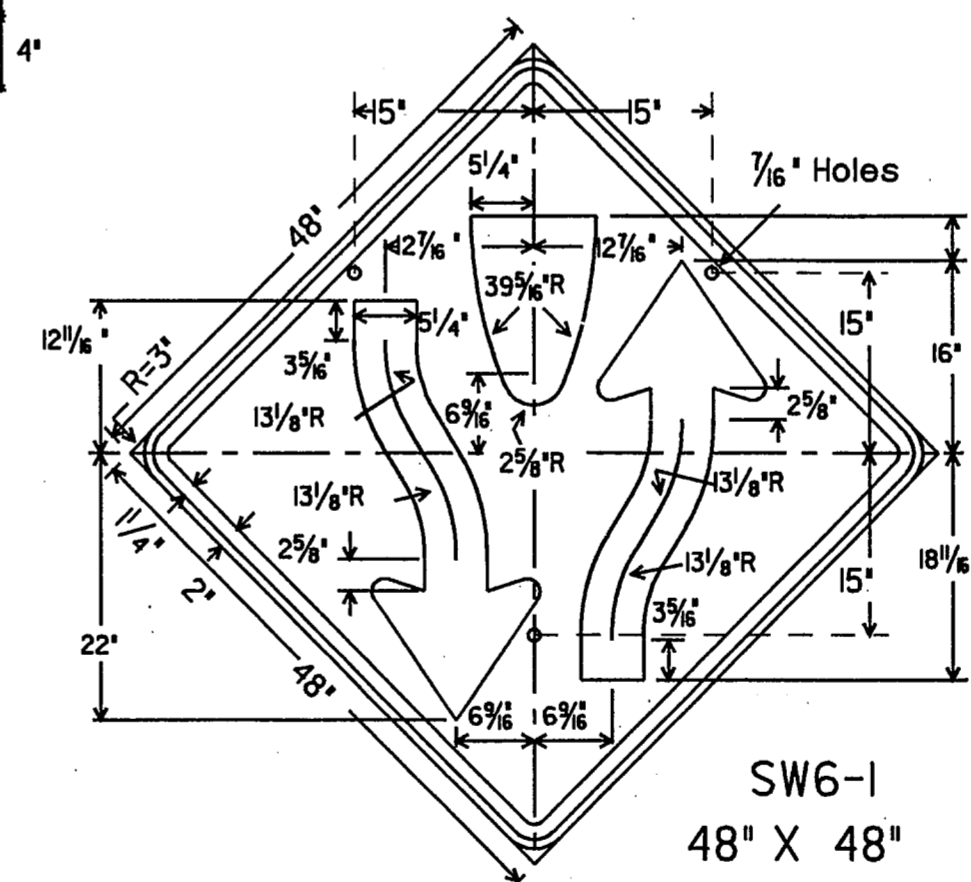
EWI-2R
EWI-2L
36" X 36"



FWI-2R
FWI-2L
48" X 48"



W6-1
36" X 36"



SW6-1
48" X 48"

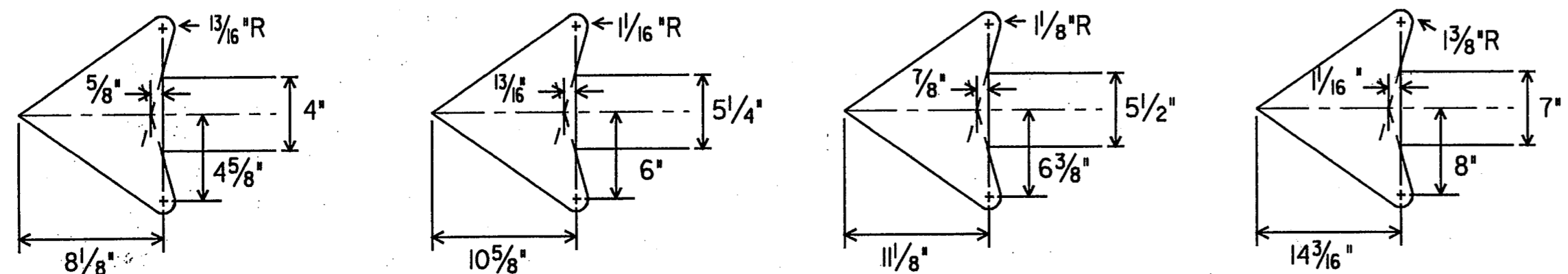
SPECIFICATION REFERENCE TABLE	
MATERIALS AND TESTS DIVISION SPECIFICATIONS	D-9-7110 Δ
ALUMINUM SIGN BLANKS	D-9-8300
REFLECTIVE SHEETING, TYPE C (HIGH SPECIFIC INTENSITY)	D-9-8320
VINYL NON-REFLECTIVE DECAL SHEETING	

GENERAL NOTES:

The alphabets and lateralspacing between letters and numerals shall conform with the Texas Manual Uniform Traffic Control Devices for Streets and Highways, latest edition, and any approved changes thereto. Lateralspacing of text shall provide a balanced appearance. All materials shall conform to Department Specifications. Legend (except where noted), shall be applied by screening process of black and/or transparent colored ink, cut-out black vinyl non-reflective decal sheeting and/or reflective sheeting or combination thereof. Background shall be yellow reflective sheeting (Type C). Sign blanks shall be one piece 0.080 inch thick sheet aluminum alloy (Type A), unless Δ otherwise noted elsewhere in the plans.

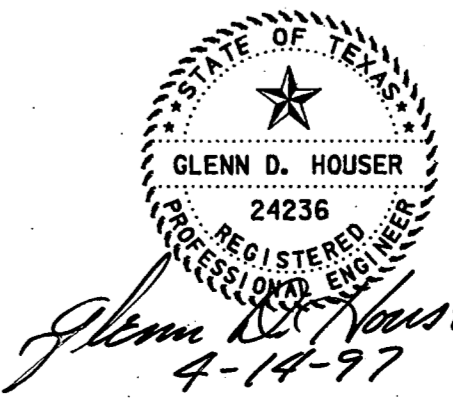
DINLR	DATE:
CK: CW	1 2 3 4 5 6
DW: DN	7 8 9 10 11 12 13 14 15 16
CK: MT	17 18 19 20 21 22 23 24 25 26 27 28 29 30 31 32 33 34 35 36 37 38 39 40 41 42 43 44 45 46 47 48 49 50 51 52 53 54 55 56 57 58 59 60 61 62 63

ARROWHEAD DETAILS



FINAL RECORD
DRAWING
Date: 12/25/99

ISSUE DATE: 11-26-96



STANDARD PLANS
TEXAS DEPARTMENT OF TRANSPORTATION
Traffic Operations Division

WARNING SIGNS

W(1)-95 (MOD.)

ORIG DRAW DATE:	JAN, 1981	DN- LR	CK-	DN- DN	CK-	NEG NO.:
REVISIONS		STATE DISTRICT	FEDERAL REGION	FEDERAL AID PROJECT		SHEET
		6				41
		COUNTY	CONTROL SECTION	JOB		ROADWAY