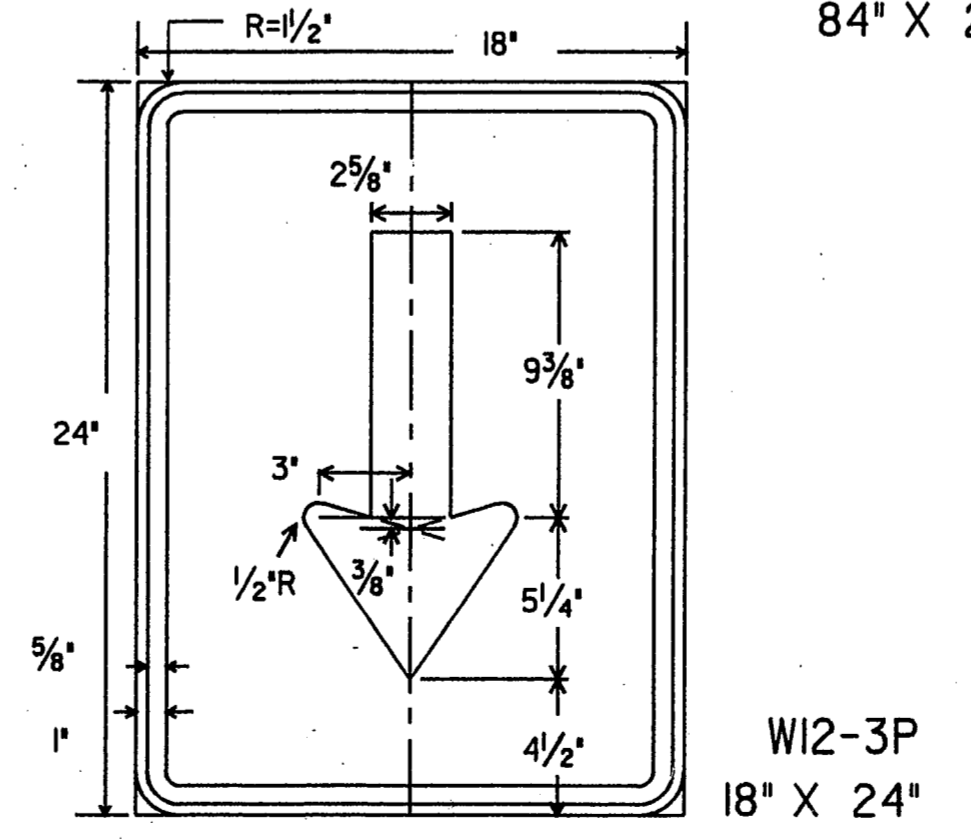
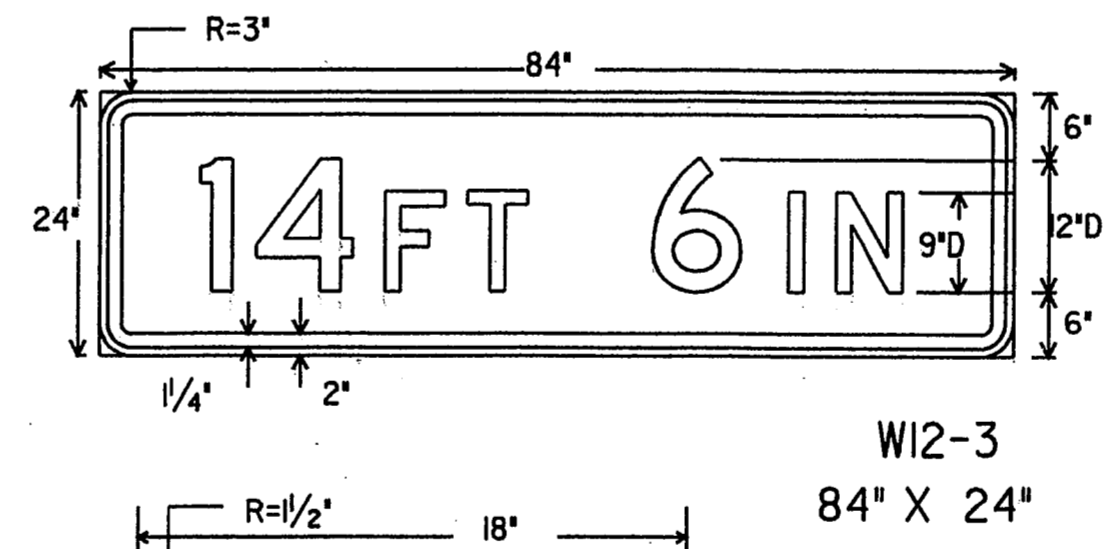
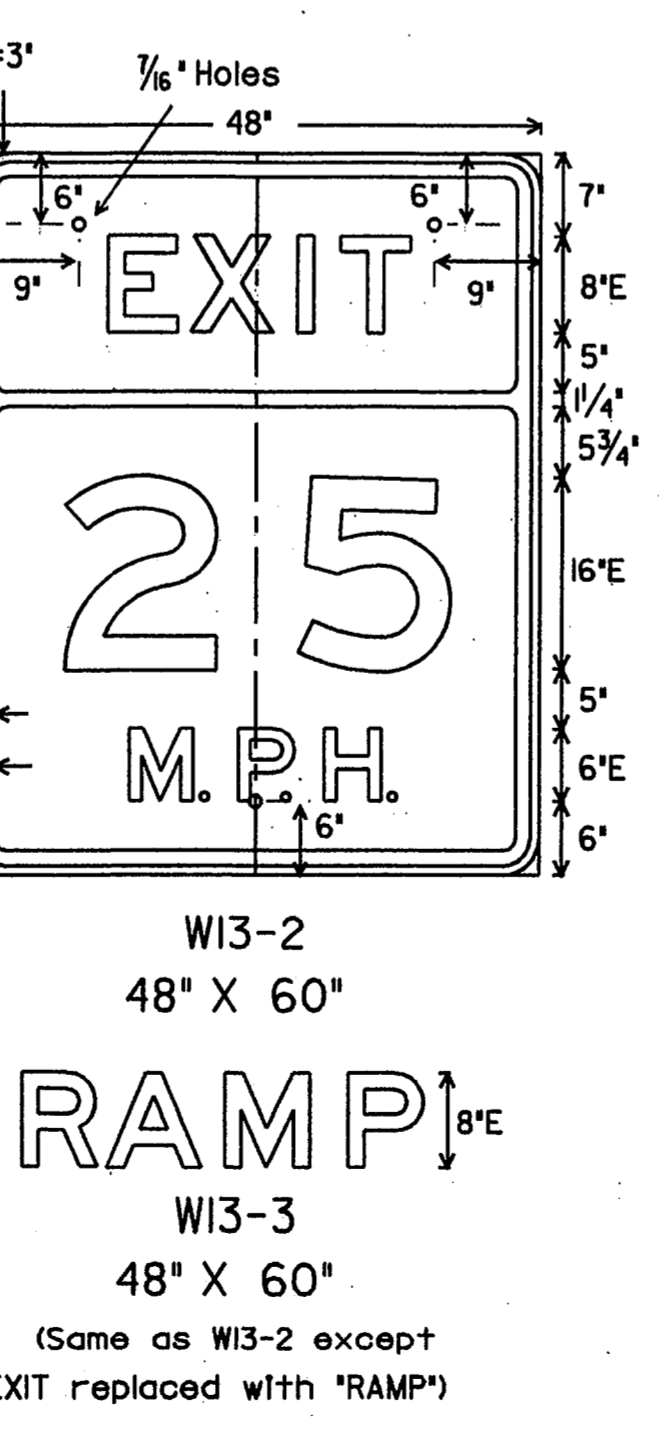
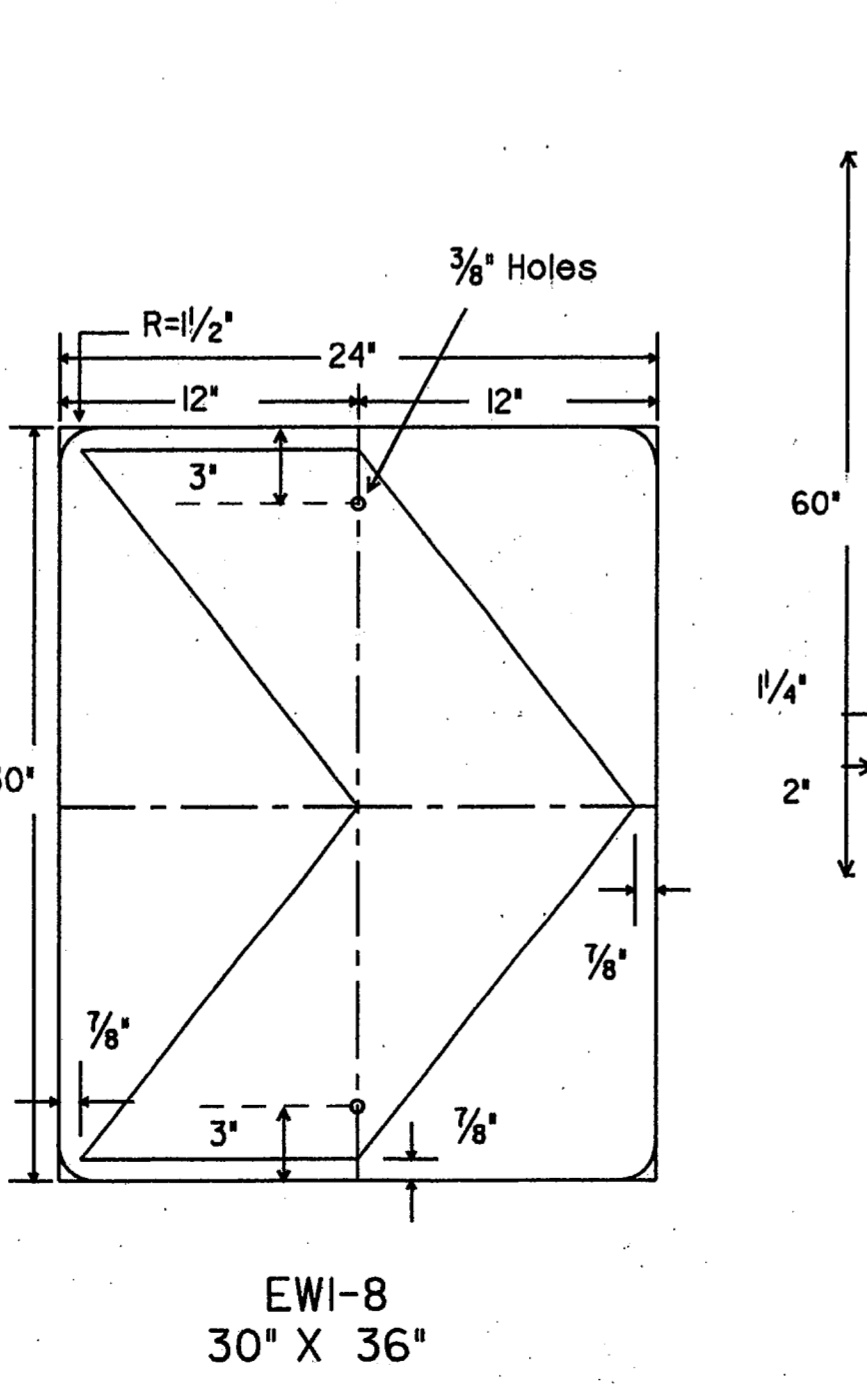
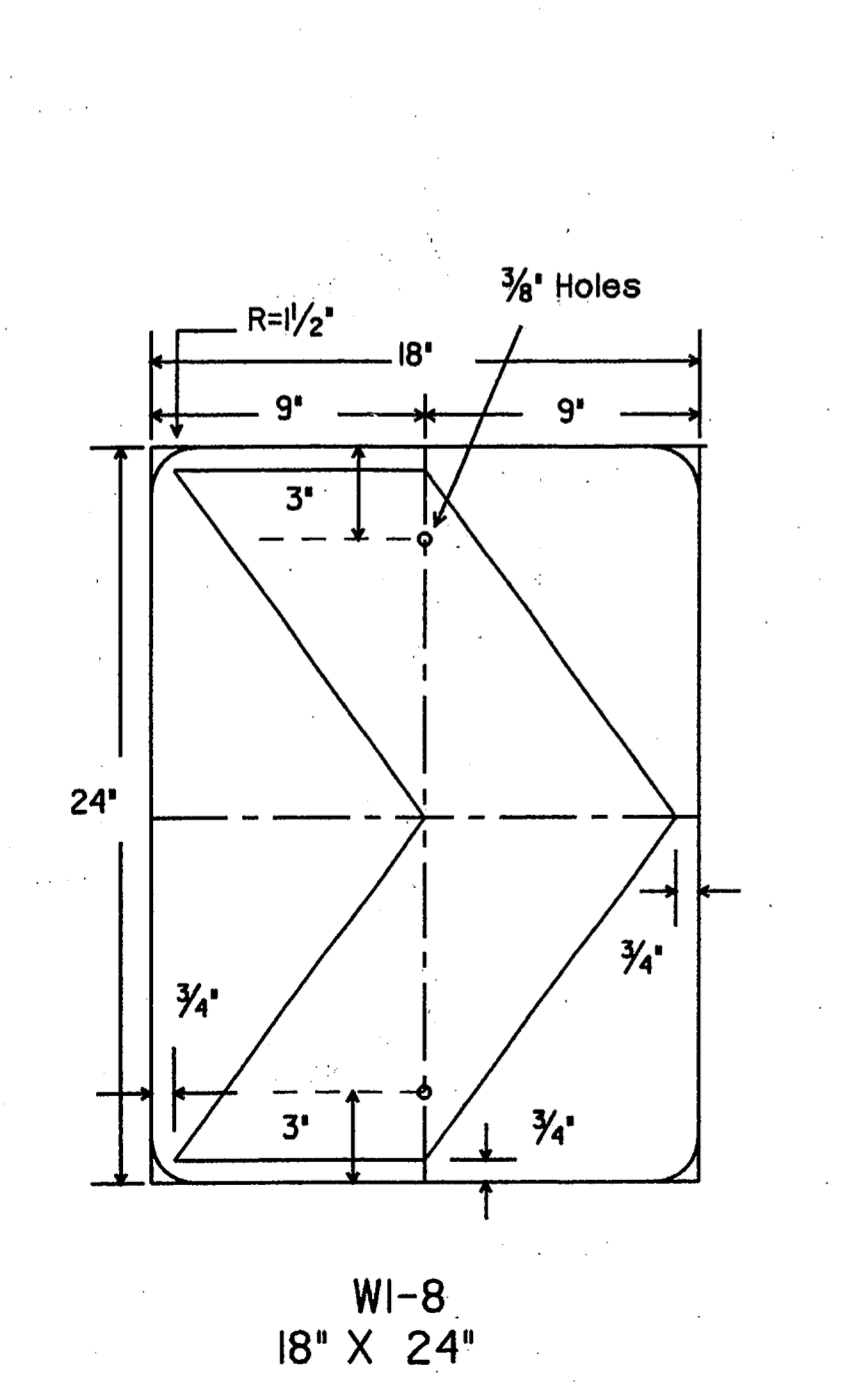
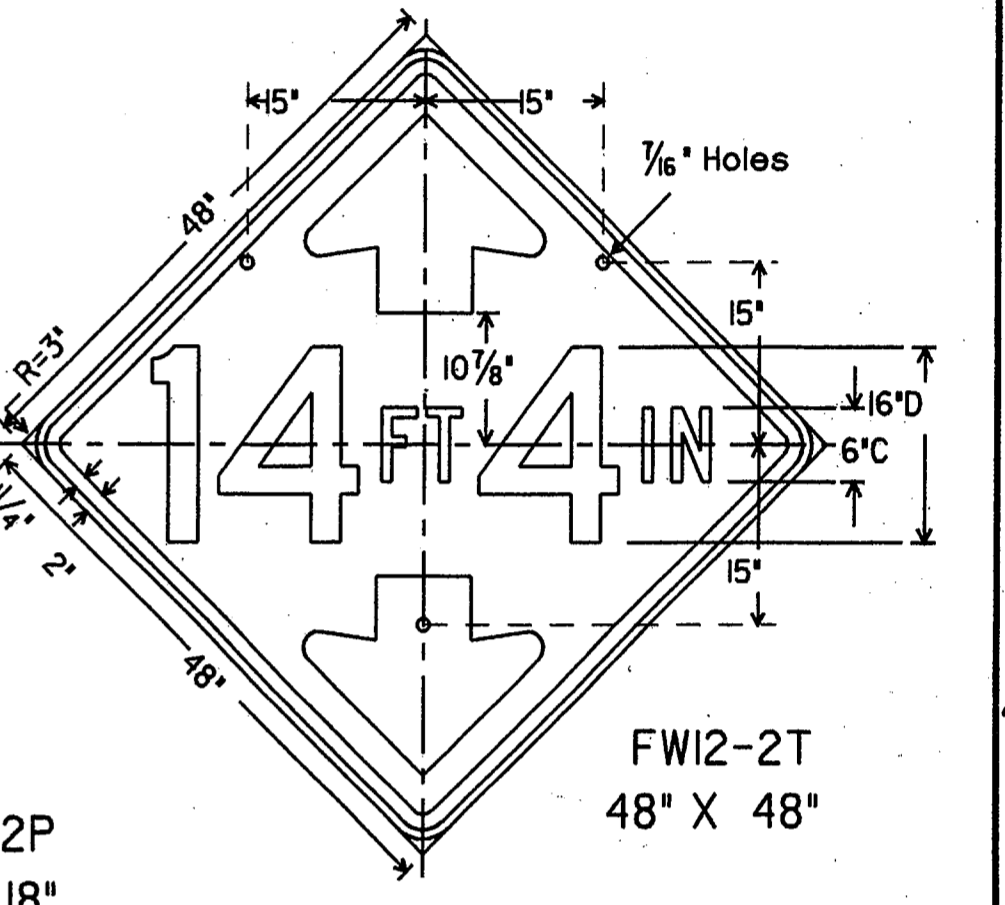
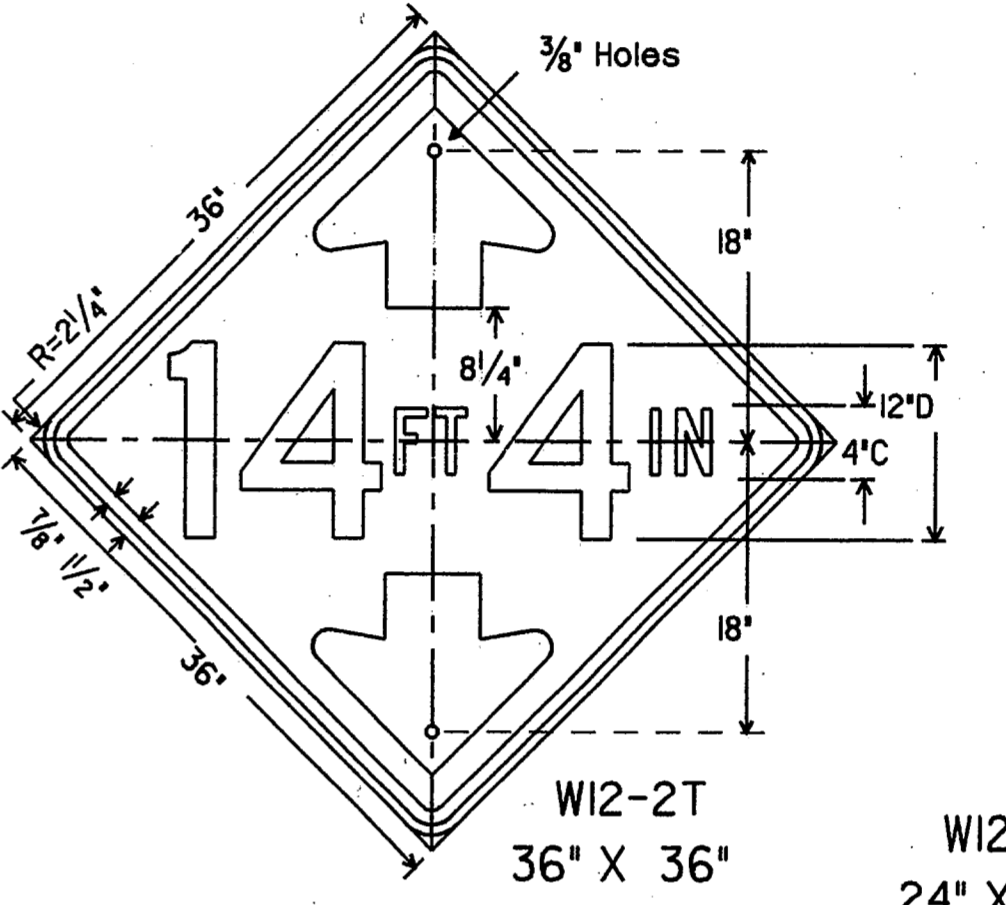
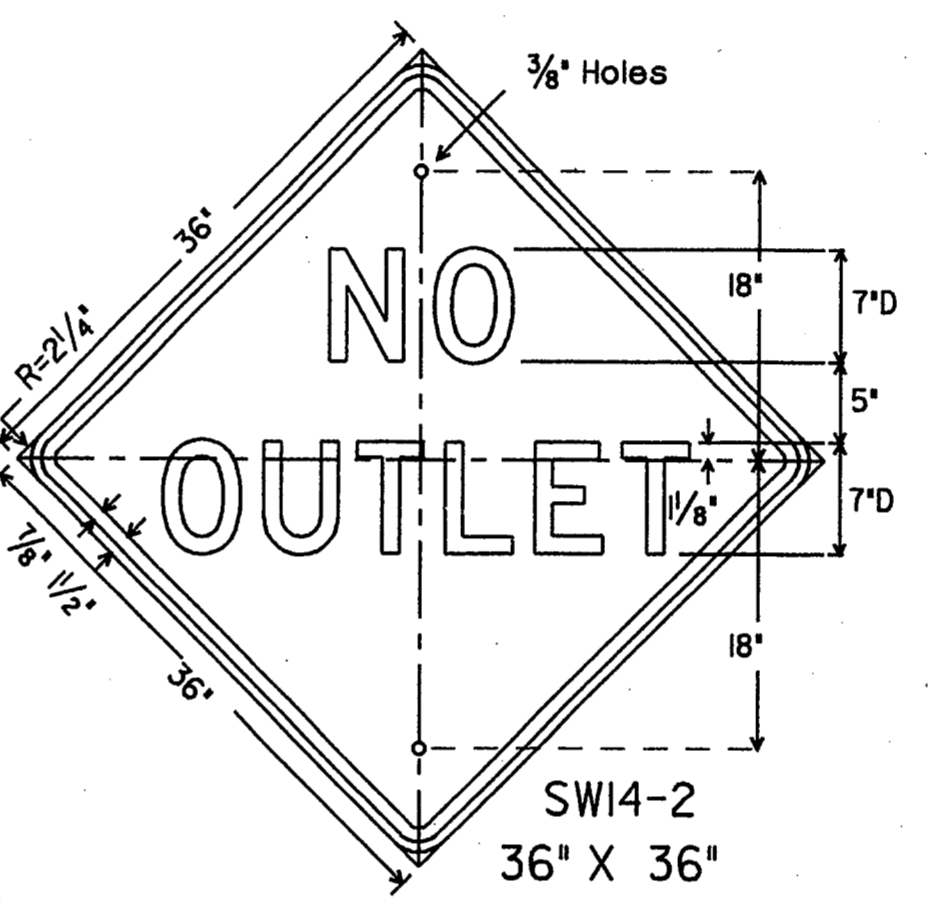
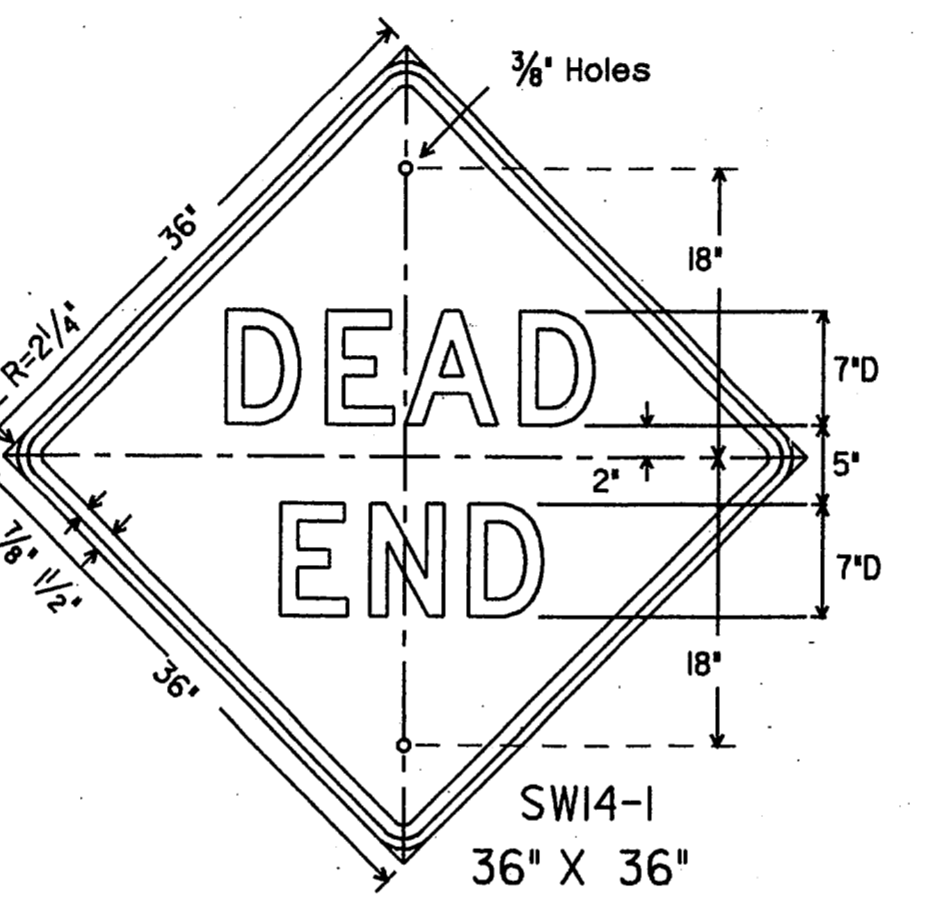
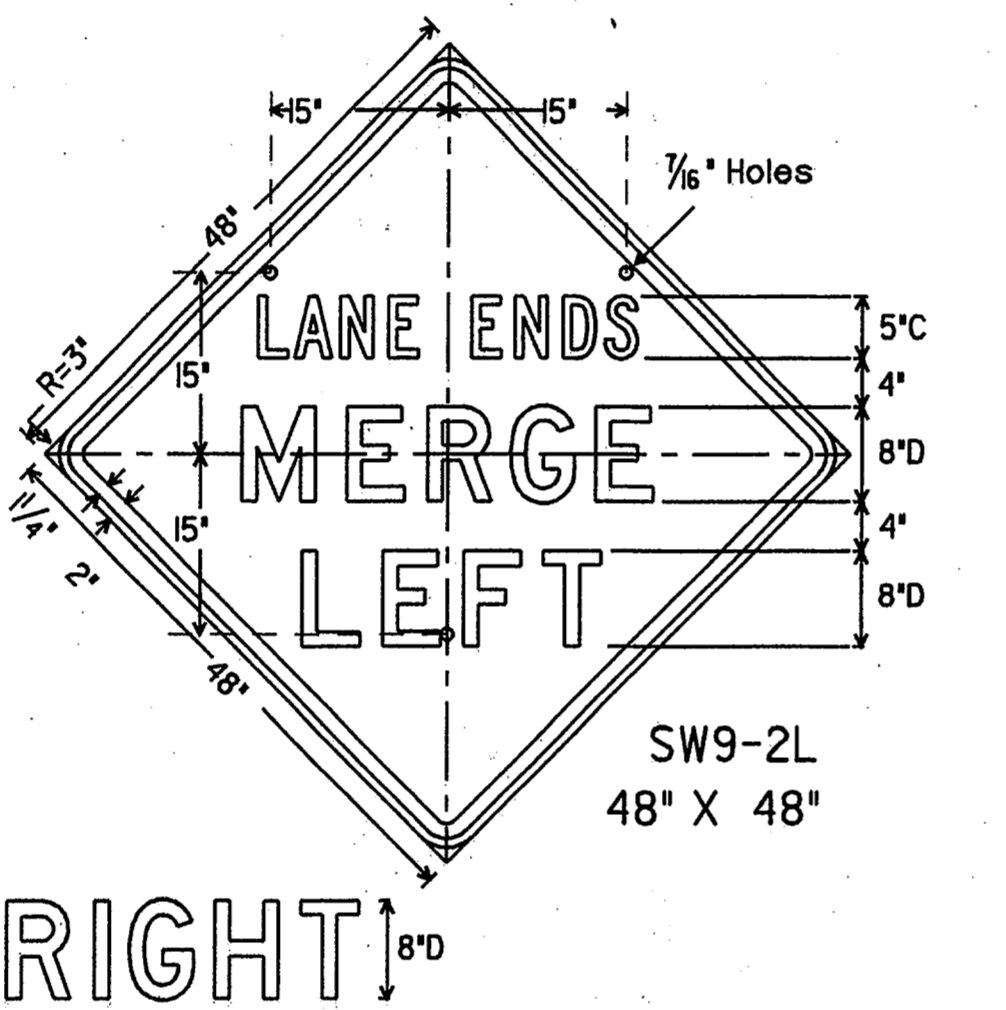
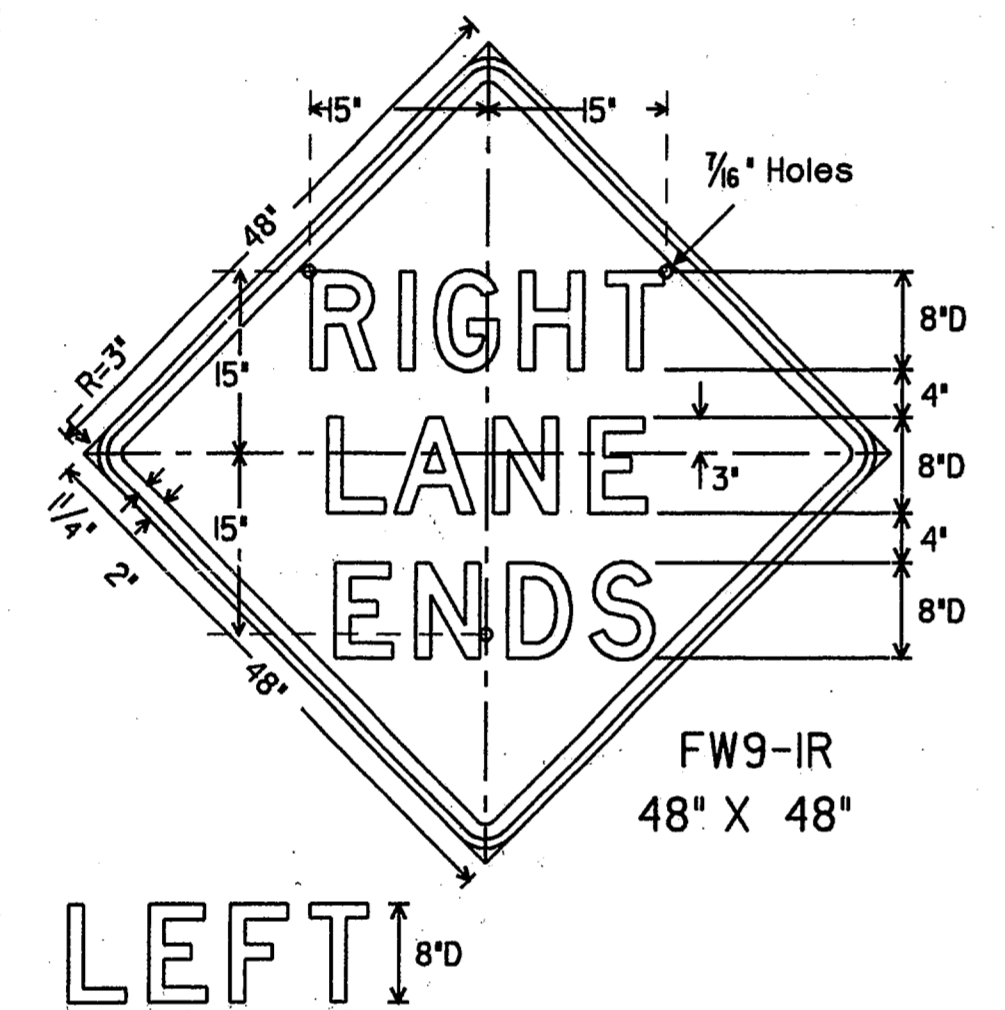
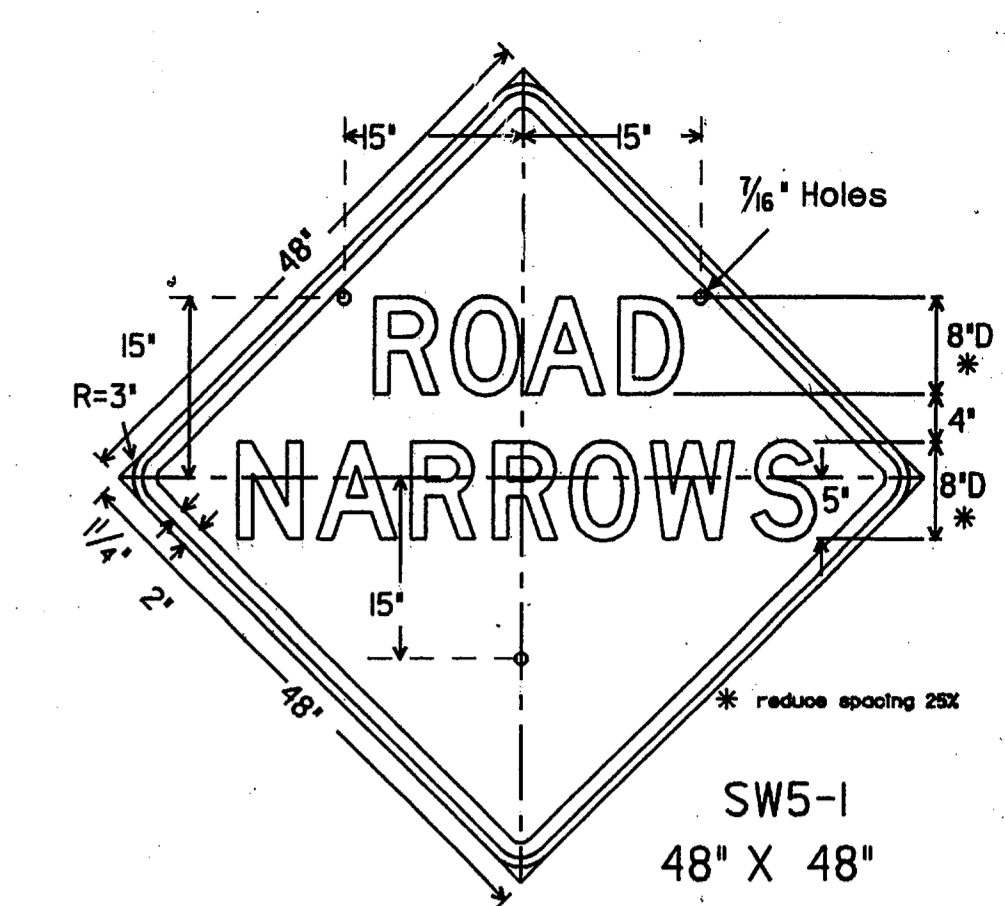
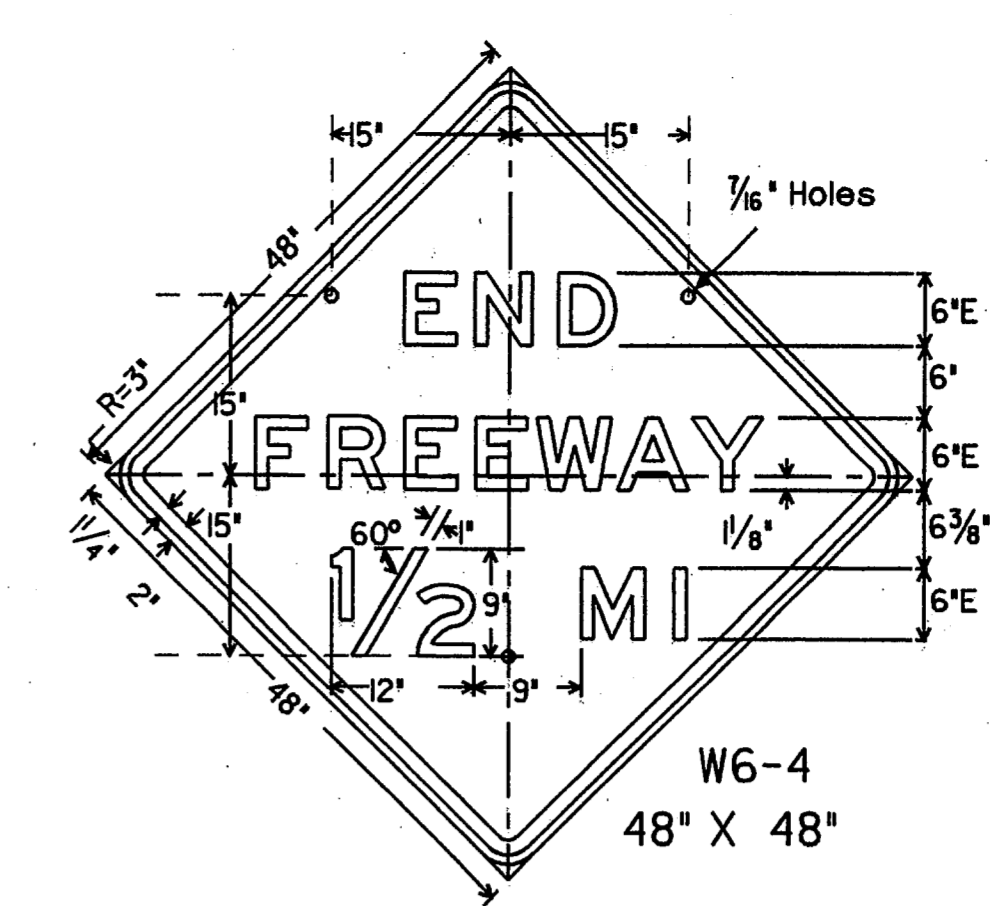
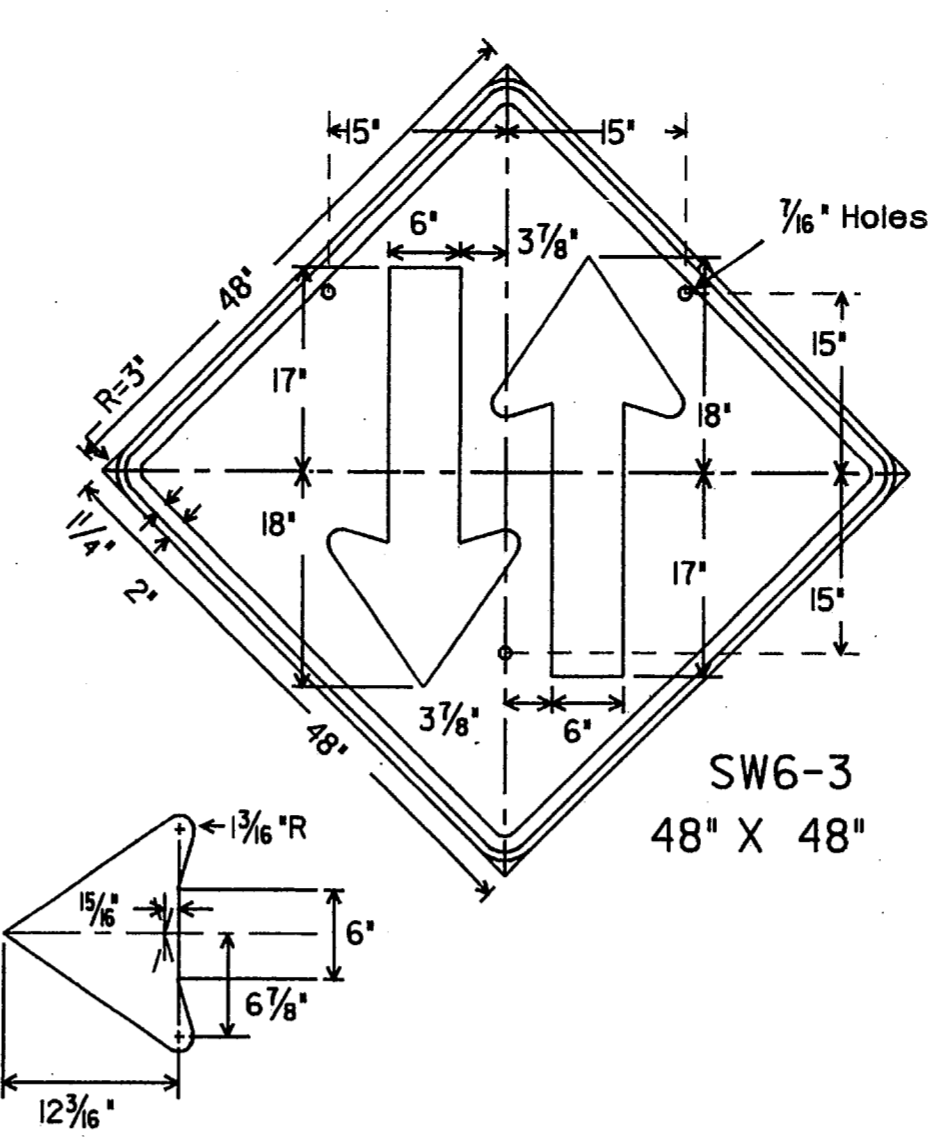
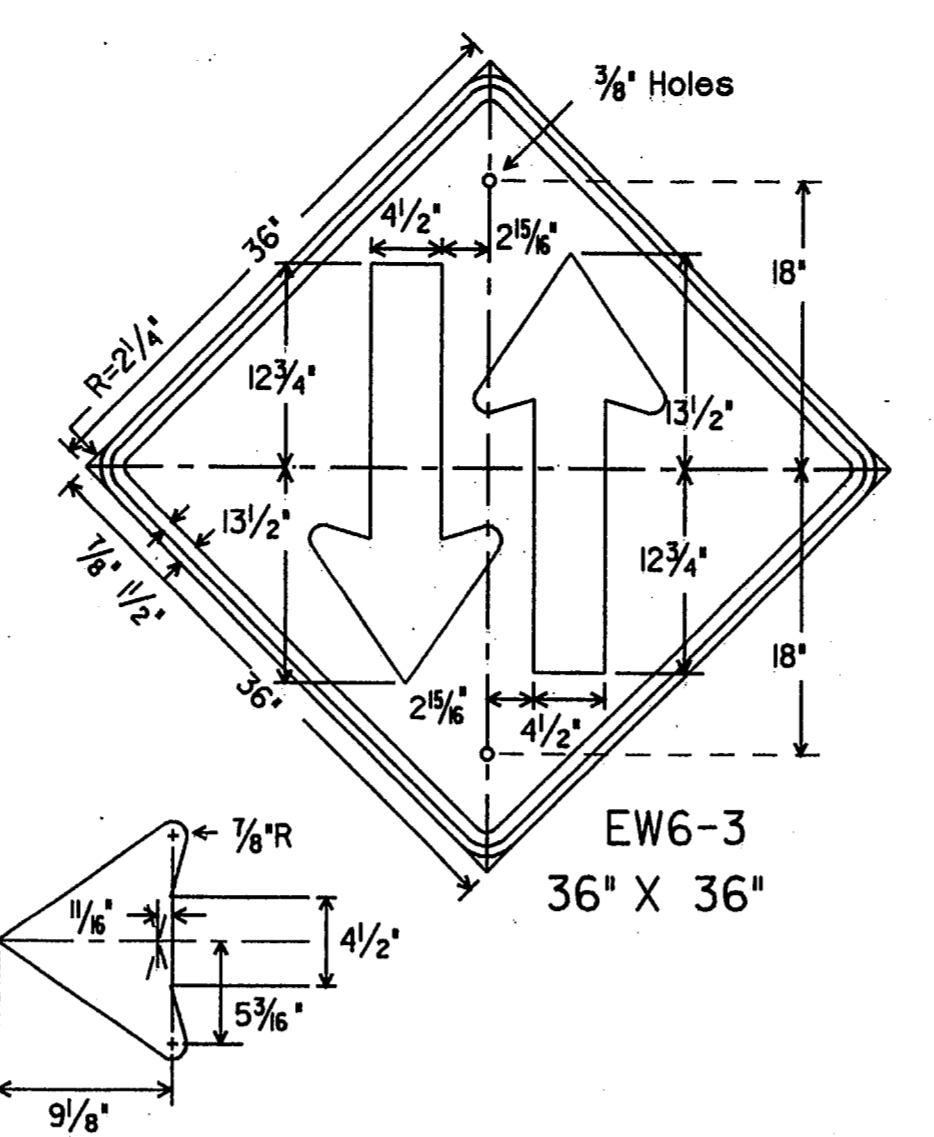
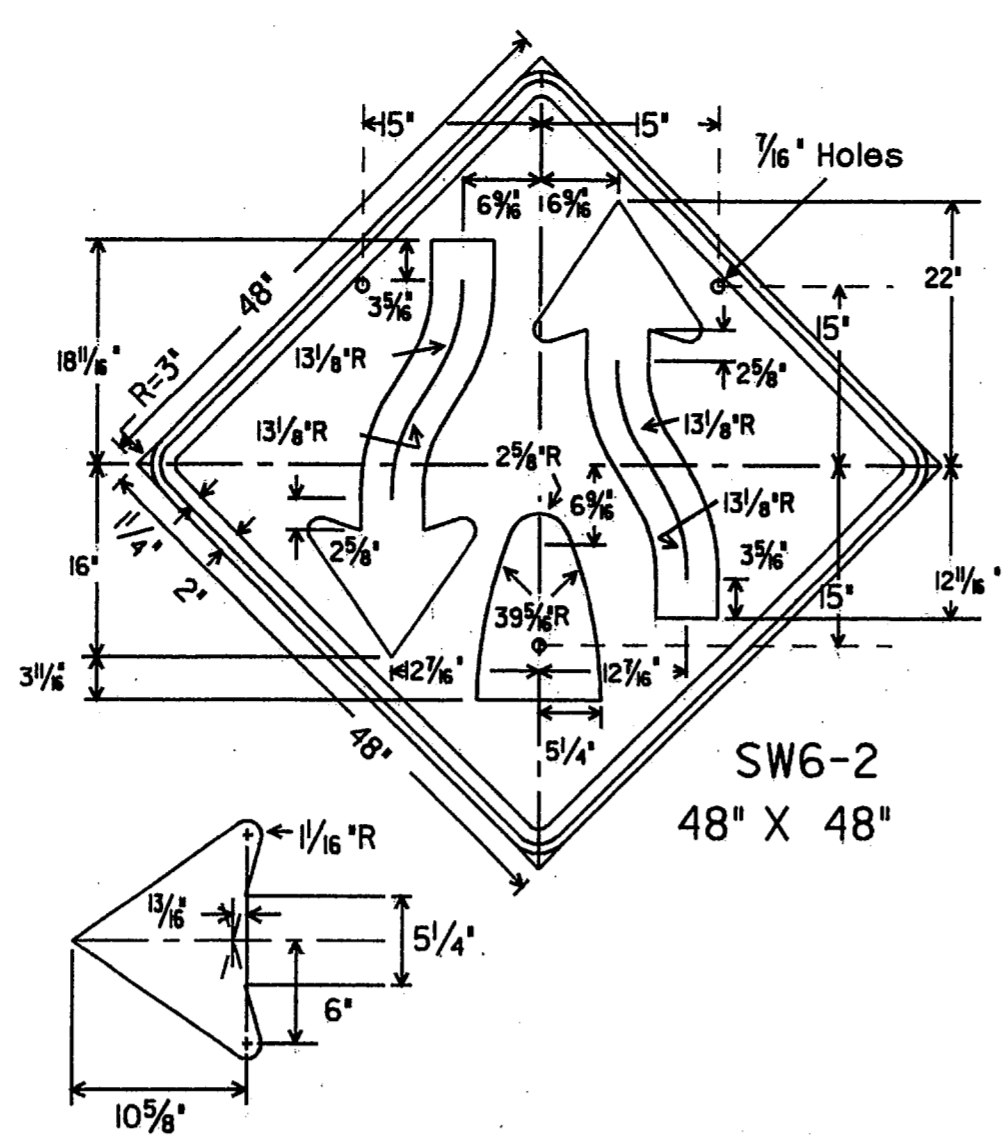
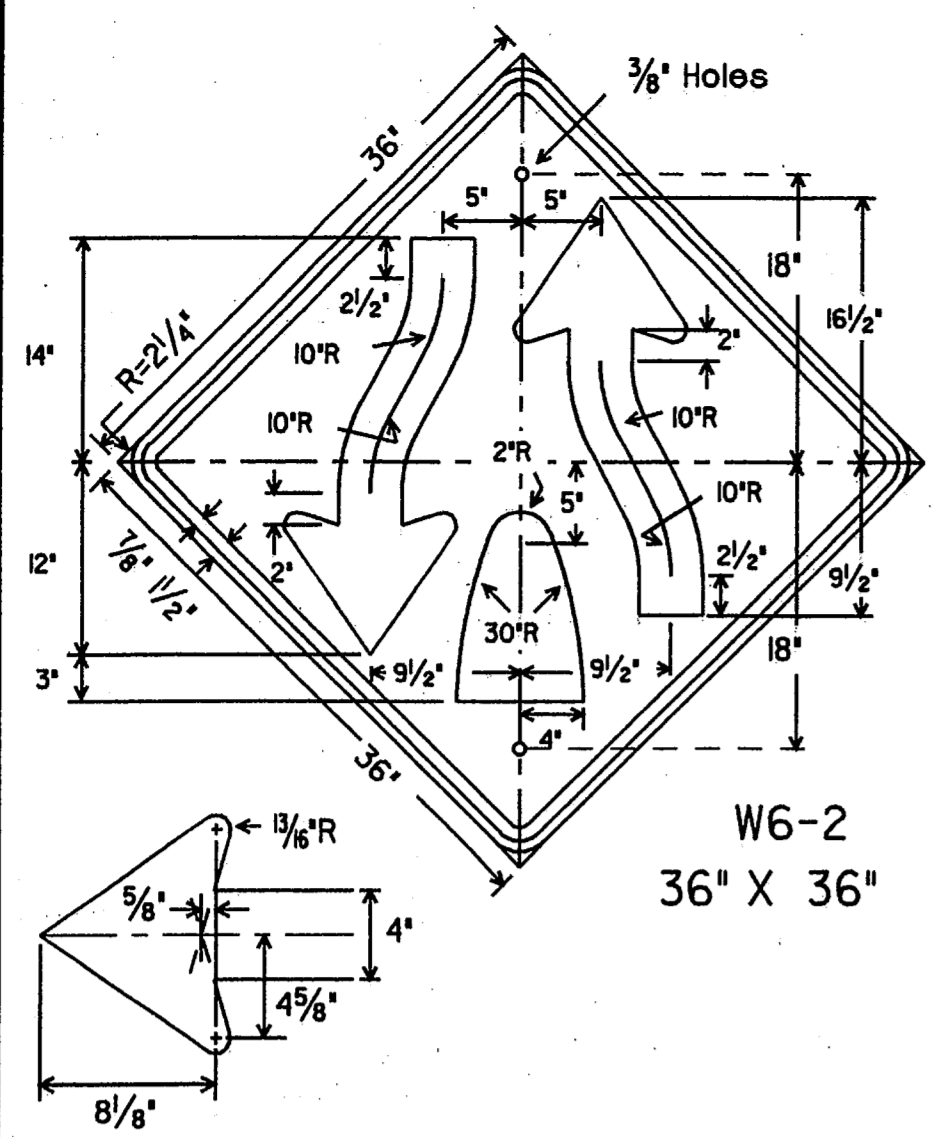


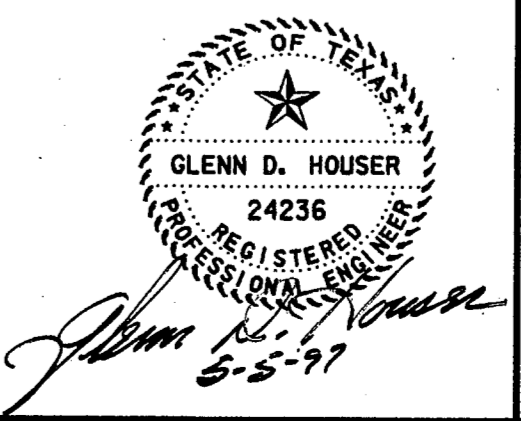
JUN/82 CK4CW DW:FDN CK4MT
 DATE: 05/82
 ACC: d58hpic/usr/d580504
 FILE: 1 2 3 4 5 6 7 8 9 10 11 12 13 14 15 16 17 18 19 20 21 22 23 24 25 26 27 28 29 30 31 32 33 34 35 36 37 38 39 40 41 42 43 44 45 46 47 48 49 50 51 52 53 54 55 56 57 58 59 60 61 62 63



SPECIFICATION REFERENCE TABLE
 MATERIALS AND TESTS DIVISION SPECIFICATIONS
 ALUMINUM SIGN BLANKS D-9-710 Δ
 REFLECTIVE SHEETING, TYPE C (HIGH SPECIFIC INTENSITY) D-9-8300
 VINYL NON-REFLECTIVE DECAL SHEETING D-9-8320

GENERAL NOTES:
 The alphabets and lateral spacing between letters and numerals shall conform with the Texas 'Manual on Uniform Traffic Control Devices for Streets and Highways', latest edition, and any approved changes thereto. Lateral spacing of text shall provide a balanced appearance. All materials shall conform to Department Specifications. Legend (except where noted), shall be black and applied by screening process, cut-out, vinyl non-reflective decal sheeting or combination thereof. Background shall be yellow reflective sheeting (Type C). Sign blanks shall be one piece 0.080 inch thick sheet aluminum alloy (Type A), unless otherwise noted elsewhere in the plans. Δ

FINAL RECORD
 DRAWING
 Date: 12/25/99
 ISSUE DATE: 11-26-96



STANDARD PLANS
 TEXAS DEPARTMENT OF TRANSPORTATION
 Traffic Operations Division

WARNING SIGNS
 W(2)-95 (MOD.)

ORIG. DRAW. DATE: JAN, 1981	DR: LR	CR:	DW: DN	CR:	NEG. NO.:
REVISIONS:	STATE DISTRICT:	FEDERAL REGION:	FEDERAL AID PROJECT		
1-82 II-96 Δ	6		COUNTY:	CONTROL SECTION:	JOB:
1-85					42
7-90					
8-95					

9B