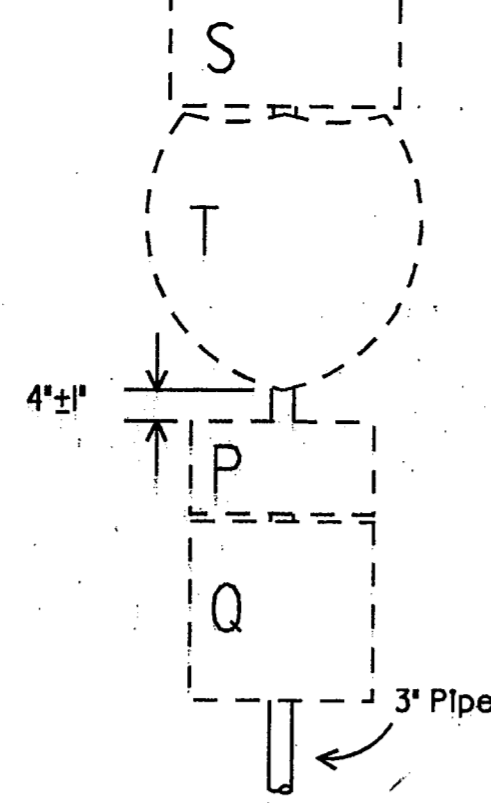


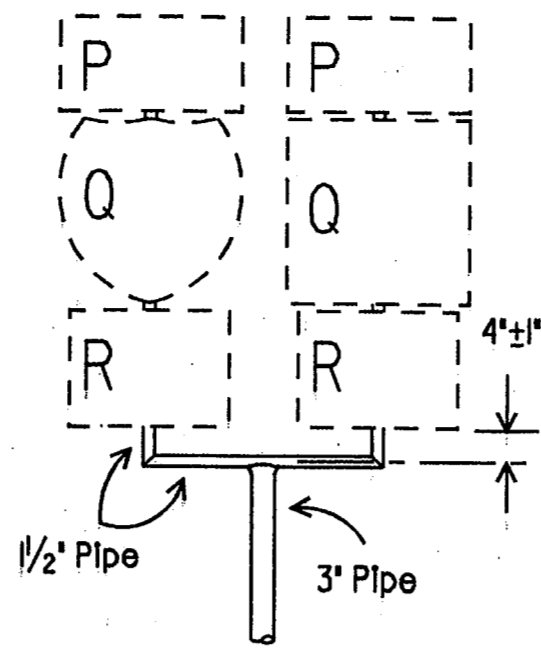
Type A

THIS TYPE PIPE MOUNT OR YELLOW FIBERGLASS REINFORCED PLASTIC (FRP) SUPPORT MAY BE USED FOR ANY SIGN OR COMBINATION OF SIGNS WITH THE SIGN AREAS INDICATED BELOW, EXCEPT FR6-1 AND W-6 SIGNS (SEE TYPE D-1);
 MAX. OF 10 SQ. FT. FOR 2" PIPE MOUNT
 MAX. OF 16 SQ. FT. FOR 3" FRP MOUNT
 THE AREA OF THE REGULATORY OR WARNING SIGN SUPPLEMENTARY PLAQUES SHALL NOT BE USED IN DETERMINING THE ABOVE SIGN AREA.



Type A-1

THIS TYPE PIPE MOUNT TO BE USED FOR A 36" OR 45" INTERSTATE ROUTE MARKER WITH A 24" OR 30" ROUTE MARKER ON MAIN LANES OR AS A SPECIFIED OPTIONAL SUBSTITUTE FOR TYPE B.



Type B

THIS TYPE PIPE MOUNT TO BE USED WITH 2 ROUTE MARKER ASSEMBLIES.

Type D-1

A = 2"φ B = 1/2"φ

NOTE: (FOR TYPE D-1)

- FOR "ONE WAY" SIGNS (FR6-1, 48" X 16"), MOUNTING CLAMPS ARE SPACED 28 INCHES APART. THE TOP OF SIGN IS 8 INCHES ABOVE CENTERLINE OF PIPE B.
- FOR "LARGE ARROW" SIGN (W1-6, 48" X 24"), MOUNTING CLAMPS ARE SPACED 30 INCHES APART.

Type D-3

A = 2 1/2"φ B = 1/2"φ

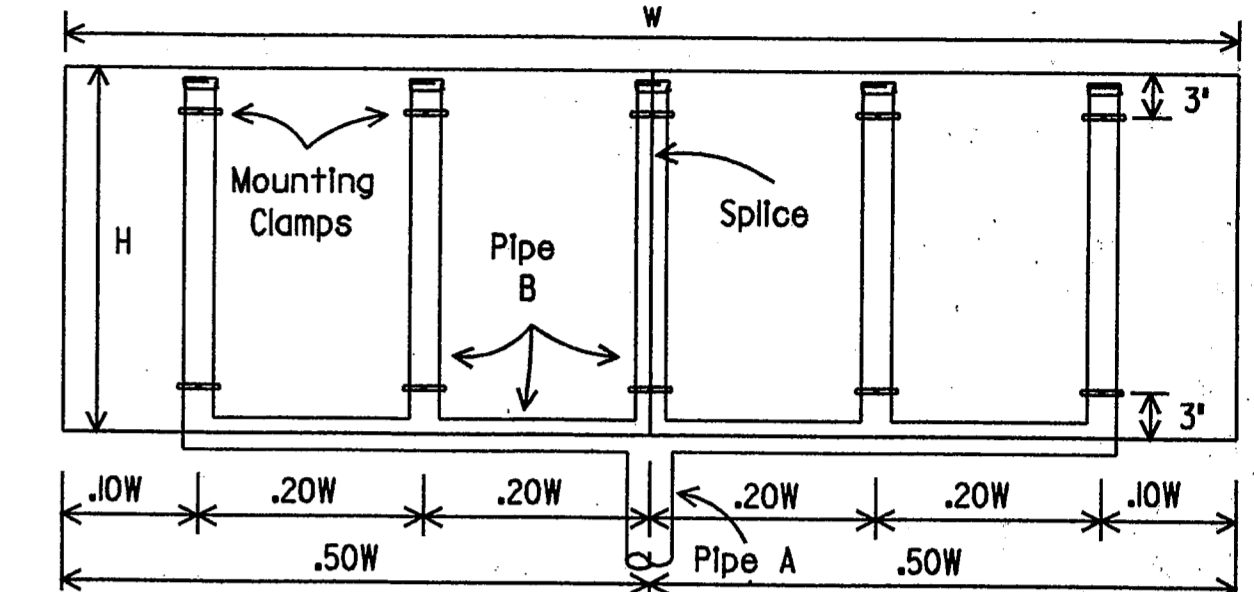
Type D-2

A = 2 1/2"φ B = 1/2"φ

Type D-4

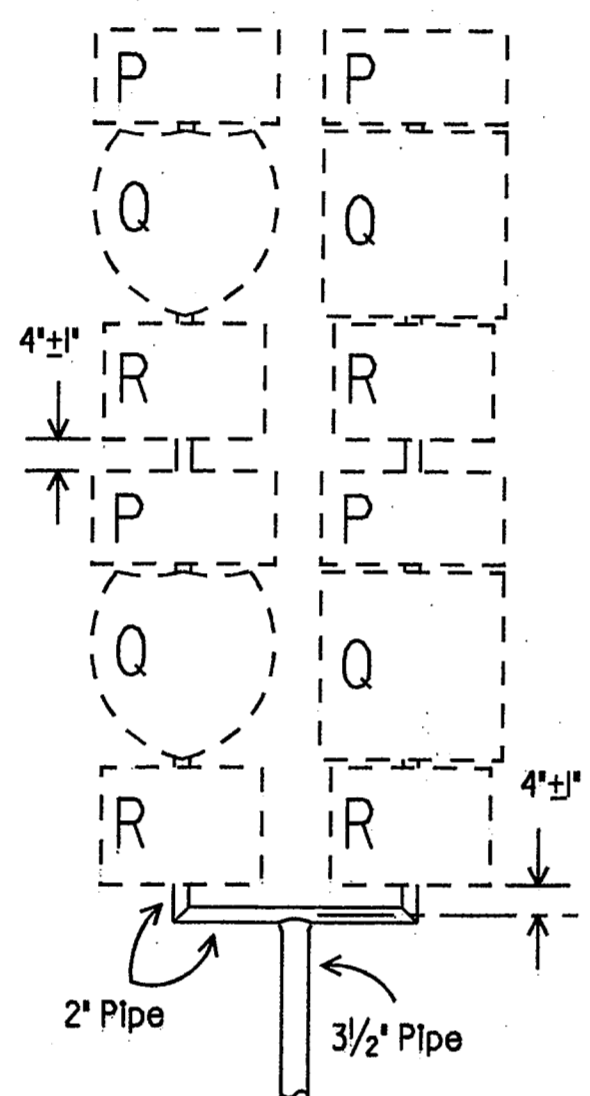
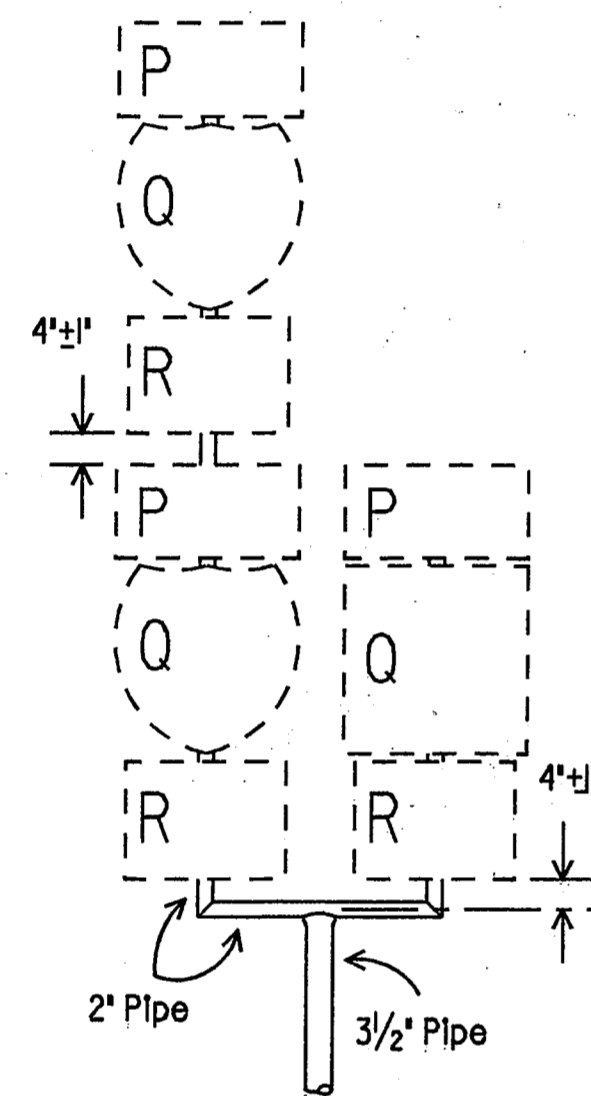
A = 3"φ B = 2"φ

| MOUNT TYPE | H | W | |
|------------|-----|-------|-------|
| | | Min | Max |
| D-2 | 24" | n/a | 8' |
| | 30" | n/a | 6'6" |
| D-4 | 24" | 8'6" | 12'6" |
| | 30" | 8'0" | 10'6" |
| D-6 | 24" | 13'0" | 13'6" |
| | 30" | 10'0" | 11'0" |
| | 36" | 8'6" | 9'0" |



Type D-6

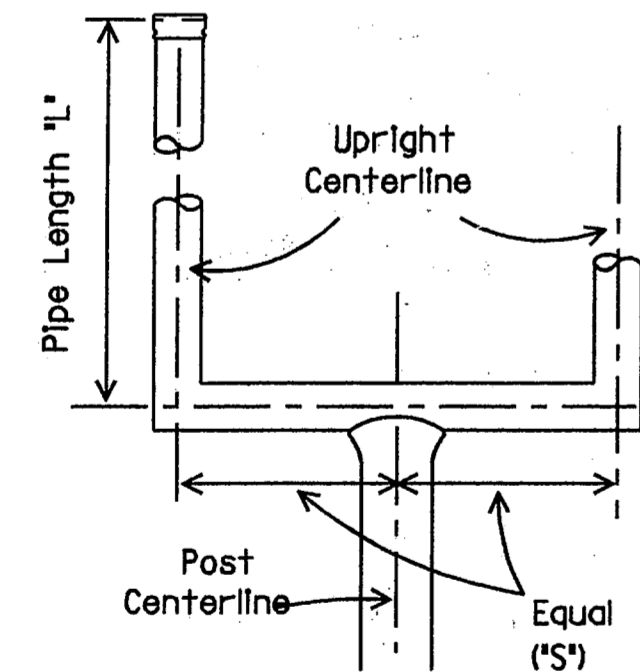
A = 3"φ B = 2"φ



Type C

THIS TYPE PIPE MOUNT TO BE USED:
 1. WHEN 3 OR 4 ROUTE MARKERS ARE REQUIRED; OR
 2. FOR A 36 INCH OR 45 INCH INTERSTATE ROUTE MARKER WITH 2 OR 3 24 INCH AND/OR 30 INCH ROUTE MARKERS.

- P = 24"x12" Cardinal Direction Marker
- Q₁ = 24"x24" Interstate, US or State Route Marker
- Q₂ = 30"x24" Interstate or US Route Marker
- R = 21"x15" Direction Arrow
- S = 30"x15" Cardinal Direction Marker
- T₁ = 36"x36" (2) digit Interstate Route Marker
- T₂ = 45"x36" (3) digit Interstate Route Marker



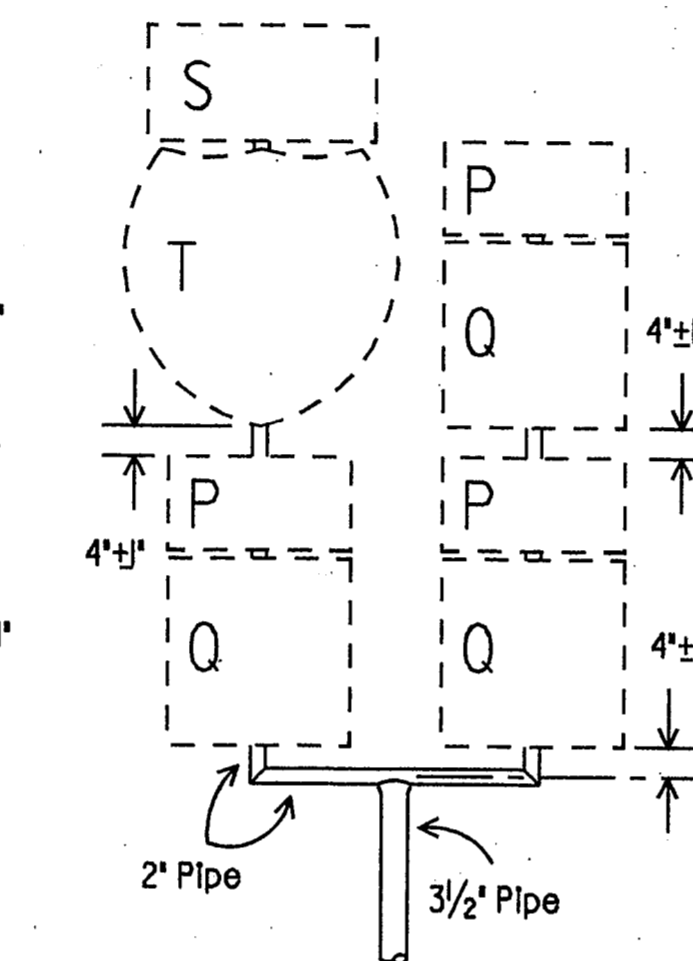
See table at right for values of 'L'

DIMENSION 'S'

DIMENSION 'S' EQUALS THE DISTANCE FROM THE CENTERLINE OF UPRIGHT TO THE CENTERLINE OF CLEARANCE BETWEEN SIGN GROUP.

- S' = 1'-4 1/2" for Q₁
- S' = 1'-7 1/2" for Q₂
- S' = 1'-10 1/2" for T₁
- S' = 2'-3" for T₂

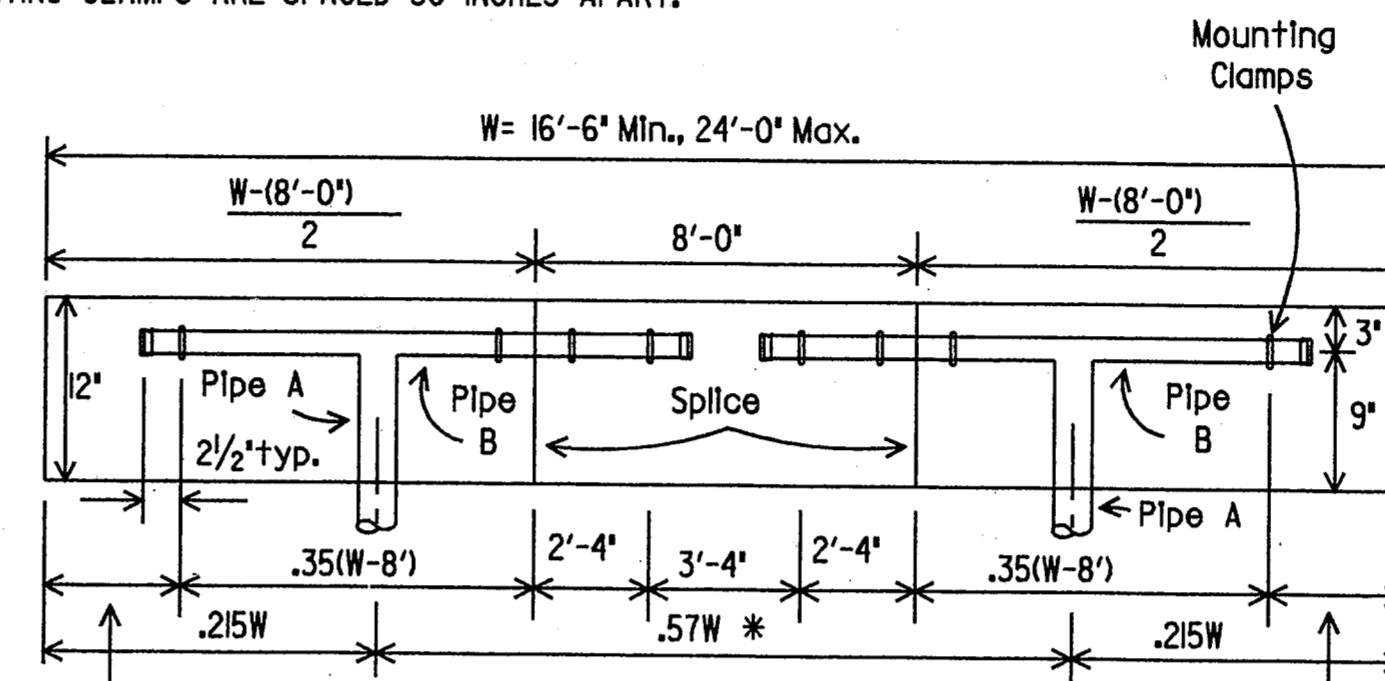
| Marker Combinations | 'L' |
|---------------------|--------|
| 2P+2Q+2R+7' | 9'-1" |
| P+2Q+2R+7' | 8'-1" |
| 2Q+2P+7' | 6'-7" |
| Q+R+3' | 3'-6" |
| S+T+3' | 4'-6" |
| P+Q+R+3' | 4'-6" |
| P+Q+S+T+7' | 7'-10" |



Type F Mount

GENERAL NOTES FOR SIGN SUPPORT TYPES A, B, C, D AND F

- TYPE A SUPPORT SHALL BE PIPE OR YELLOW FRP. FRP MOUNTS SHALL MEET DEPARTMENT SPECIFICATION D-9-4410.
- PIPE COLLAR COUPLING SHALL BE USED FOR ALL SIGNS SUPPORTED ON 2" AND 2 1/2" PIPE POSTS.
- TRIANGULAR SLIP BASE SHALL BE USED FOR SIGNS SUPPORTED ON 3" AND 3 1/2" PIPE POSTS.
- MOUNTING CLAMP, VERTICAL CLEARANCE AND LATERAL CLEARANCE DETAILS ARE SHOWN ON STANDARD SMD(I-2) (MOD.).
- WELDED PIPE MOUNT, FRICTION CAP, PIPE COLLAR COUPLING, TRIANGULAR SLIP BASE AND FOUNDATION DETAILS ARE SHOWN ON STANDARD SMD(I-3) AND SMD(I-4) (MOD.).



Type D-5

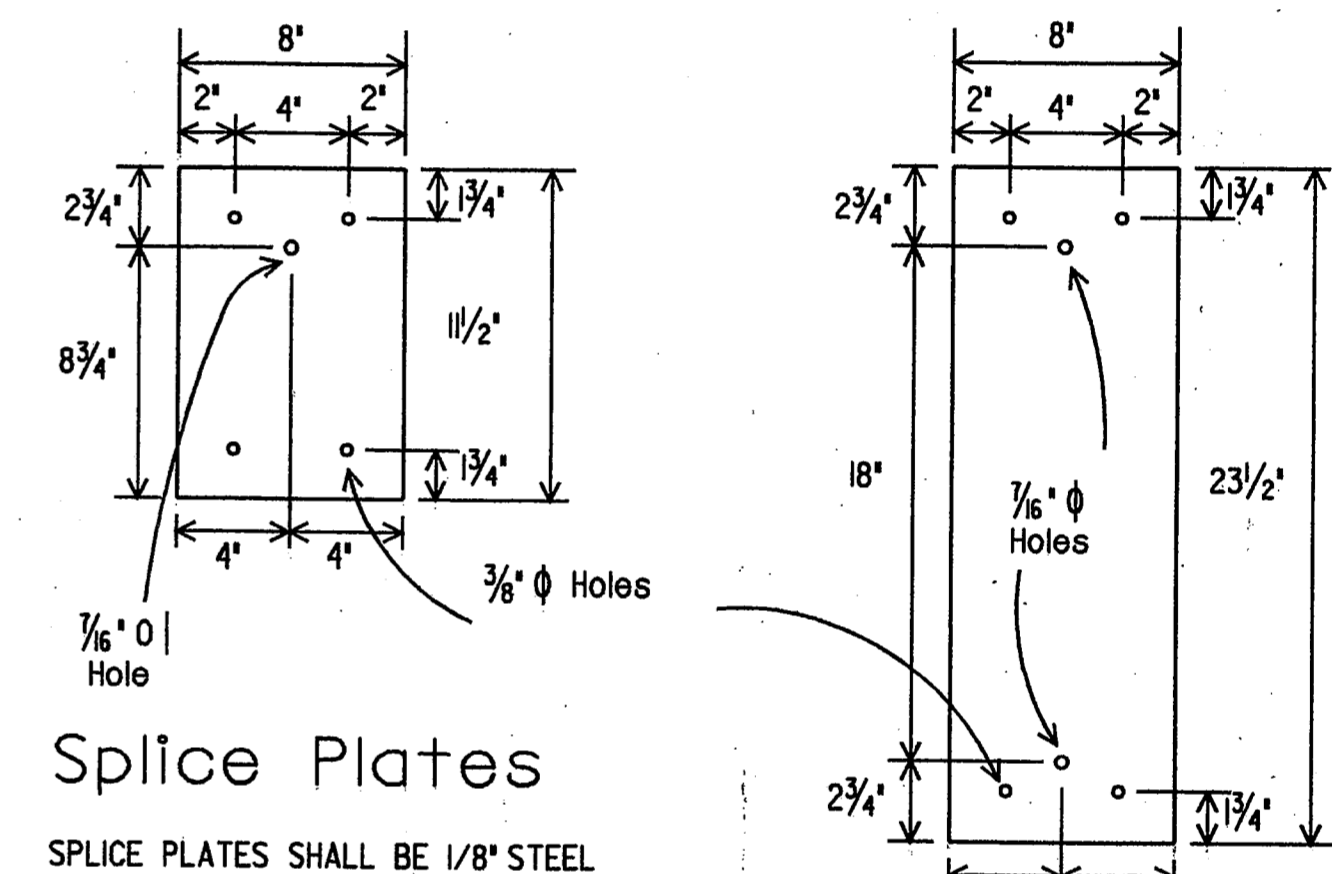
A = 2 1/2"φ B = 1/2"φ
 * POST SPACING MAY VARY ± 5% OF TOTAL SIGN WIDTH TO FIT FIELD CONDITIONS.

NOTES: (FOR TYPES D-1 THROUGH D-6)

- SPLICE PLATES REQUIRED AT SPLICE POINTS.
- THE SIGN BLANKS SHALL BE 0.080 INCH THICK SHEET ALUMINUM ALLOY (TYPE A), CONFORMING WITH DEPARTMENTAL MATERIAL SPECIFICATION D-9-7100, UNLESS OTHERWISE NOTED ELSEWHERE IN THE PLANS.

Type F Mount Dimensions

| Type of Sign | Pipe "A" | Pipe "B" | C | D | E | F | |
|------------------|----------|----------|-----|-----|-----|-----|-----|
| Regulatory Signs | SRI-1 | 3"φ | 2"φ | 39" | 9" | 15" | 35" |
| | FRI-2 | 3"φ | 2"φ | 43" | 21" | 11" | 27" |
| | 36"X48" | 3"φ | 2"φ | 42" | 6" | 12" | 29" |
| | 48"X36" | 3"φ | 2"φ | 30" | 6" | 15" | 35" |
| | 48"X48" | 3"φ | 2"φ | 42" | 6" | 15" | 35" |
| Warning Signs | 48"X48" | 3"φ | 2"φ | 54" | 6" | 15" | 35" |
| | 48"X60" | 3"φ | 2"φ | 54" | 6" | 15" | 35" |
| School Signs | SSI-1 | 3"φ | 2"φ | 30" | 6" | 12" | 30" |
| | SS2-1 | 3"φ | 2"φ | 30" | 6" | 12" | 30" |



Splice Plates

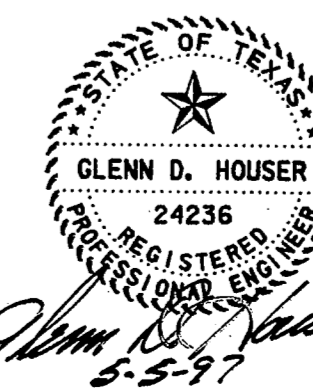
SPLICE PLATES SHALL BE 1/8" STEEL PLATE (ASTM A36) OR 1/8" ALUMINUM PLATE (ASTM B209 ALLOY 6061-T6 OR 5052-H38). STEEL SHALL BE GALVANIZED IN ACCORDANCE WITH ASTM A123.

- INCLUDES PARENT SIGNS OF THIS SIZE WHICH HAVE SUPPLEMENTARY PLAQUE. EXAMPLE: WHEN "DO NOT ENTER" SIGN (SR5-1, 48" X 48") IS MOUNTED IN COMBINATION WITH THE "RAMP" PLAQUE (R5-1T, 48" X 18"), THE "DO NOT ENTER" IS MOUNTED AS A 48" X 48" REGULATORY SIGN AND THE "RAMP" IS MOUNTED AS A PLAQUE.
- SPEED LIMIT SIGNS FR2-2, FR2-3 AND FR2-4 ARE MOUNTED ONLY IN COMBINATION WITH "SPEED LIMIT" FR2-1 ON TYPE G MOUNT. "TRUCK SPEED LIMIT" SIGN (FR2-2A, 48" X 72") IS TO BE MOUNTED INDEPENDENTLY ON TYPE G MOUNT. SEE STANDARD SMD (TY G) FOR DETAILS. WHEN "WRONG WAY" SIGN (SR5-1A, 48" X 36") IS MOUNTED IN COMBINATION WITH "DO NOT ENTER" SIGN (SR5-1, 48" X 48"), TYPE G MOUNT IS USED.
- SCHOOL ADVANCE (SSI-1, 48" X 48") AND SCHOOL CROSSING (SS2-1, 48" X 48") SYMBOL SIGNS SHALL BE MOUNTED ON A TYPE F MOUNT.

UNCL: CK:W DW:DN CK:MT
 DATE: 12 10 95
 FILE: 12 10 95

FINAL RECORD DRAWING
 Date: 12/25/99

ISSUE DATE: 12-13-96



STANDARD PLANS
 TEXAS DEPARTMENT OF TRANSPORTATION
 Traffic Operations Division

SIGN MOUNTING DETAILS-
 SMALL ROADSIDE SIGNS
 SMD(I-1)-95 (MOD.)

| | | | | | |
|-----------------------------|-------------------|-------------------|-----------------------------|--------------------------|--------------|
| ORIG DRAW DATE: August 1995 | DR: LR | CK: DW | DN: DN | CK: CK | REG NO: 43 |
| REVISIONS | STATE DISTRICT: 6 | FEDERAL REGION: 6 | FEDERAL AID PROJECT: COUNTY | CONTROL SECTION: CONTROL | JOB: SECTION |
| 11-96 | 43 | | | | |