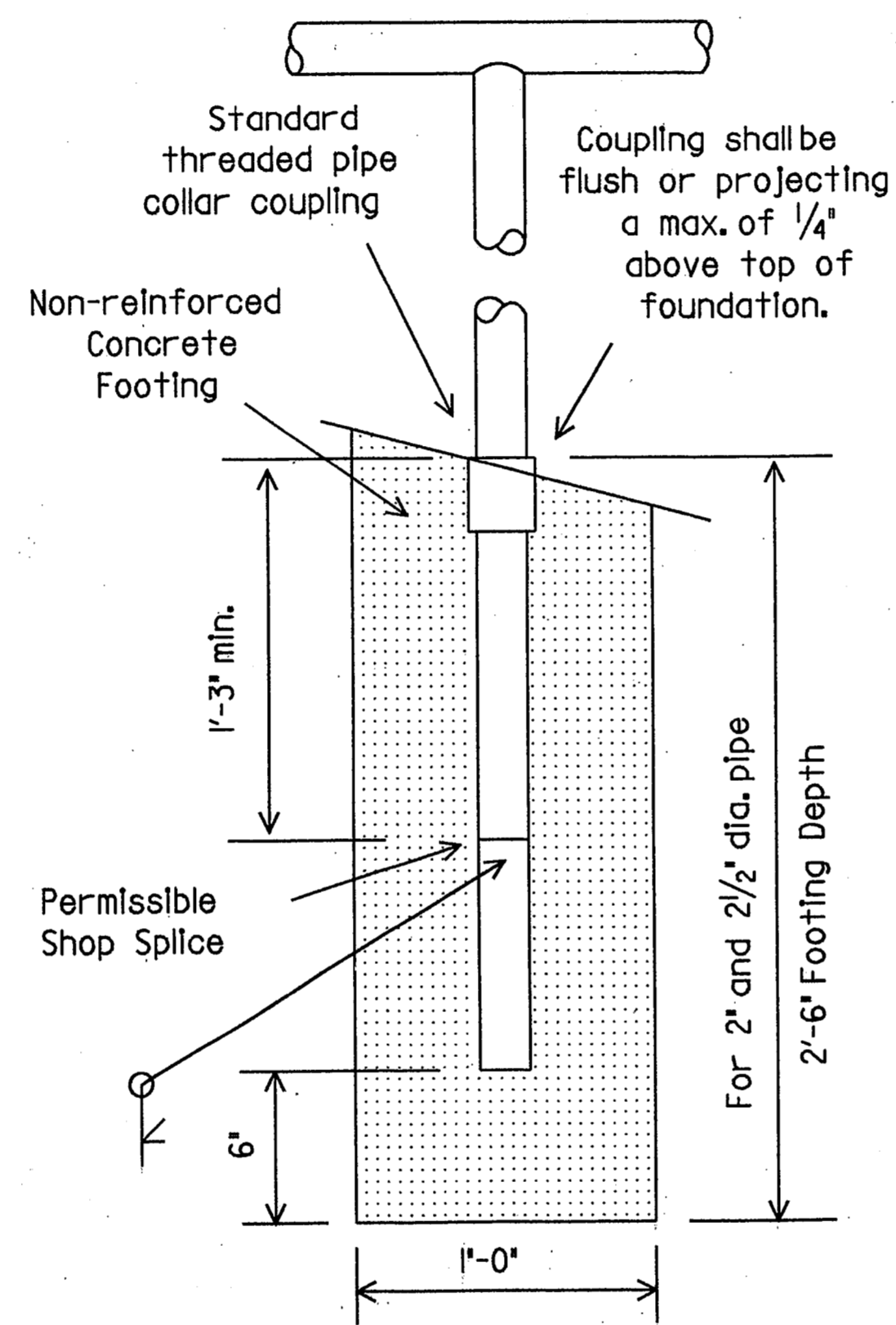
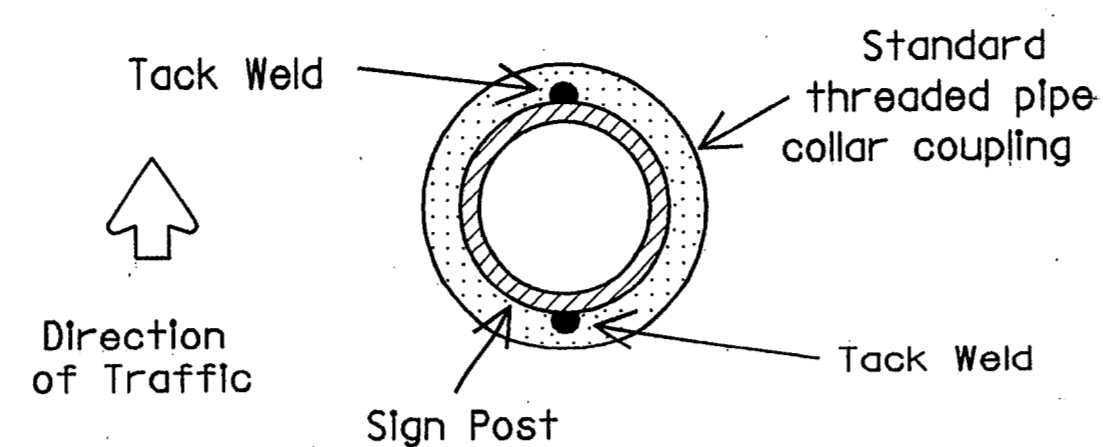


DNLR  
CK: CW  
DW: DN  
CK: MT

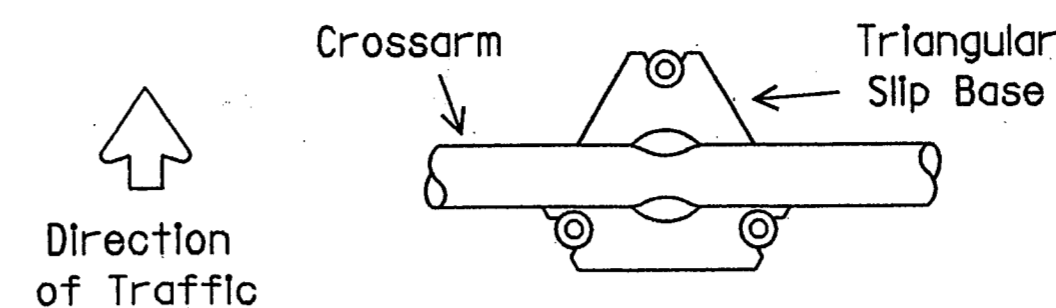
DATE: 11-26-96  
FILE: 11-26-96  
JOB: 11-26-96  
SHEET: 46

**BREAKAWAY PIPE COLLAR COUPLING**

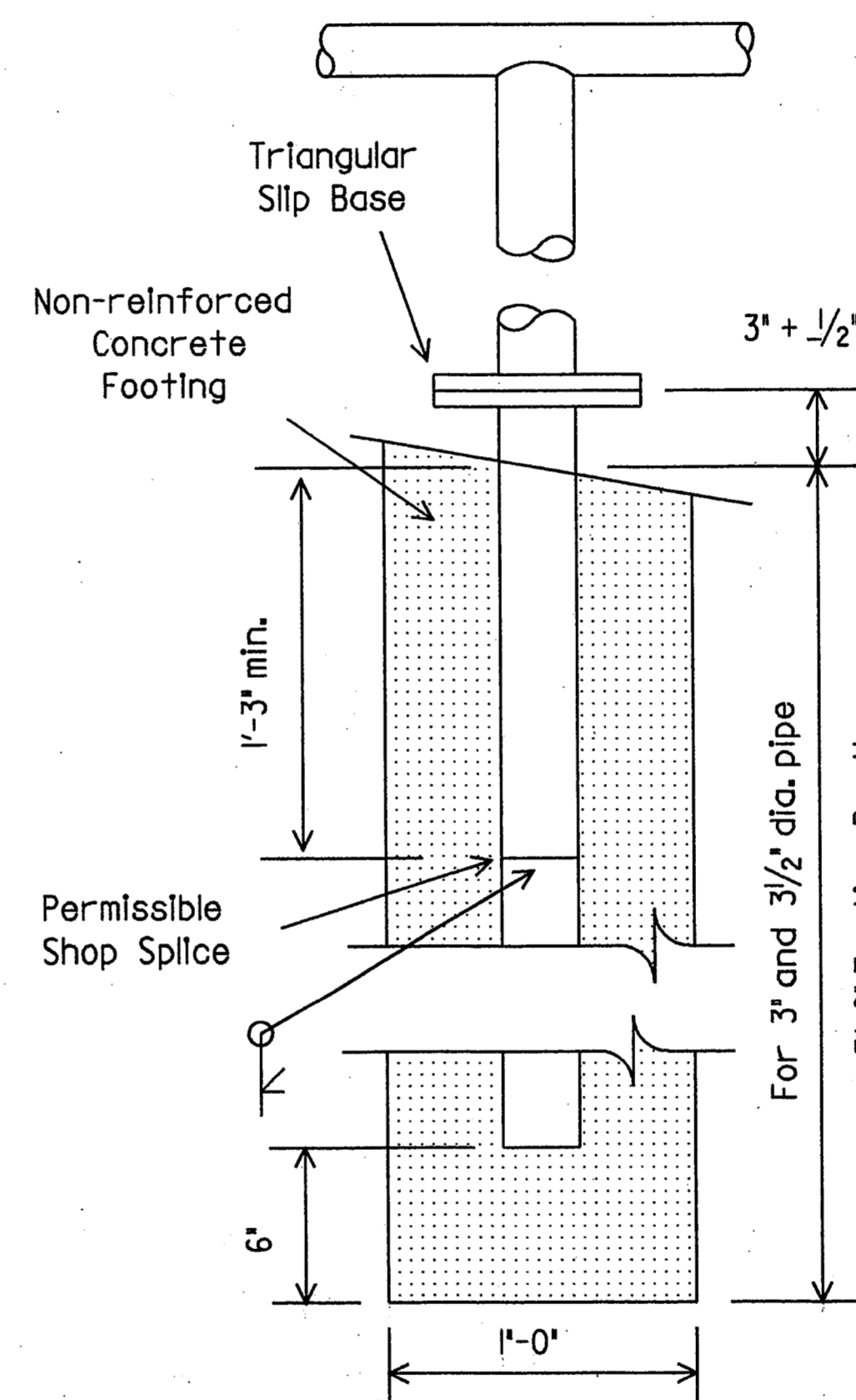


Pipe collar coupling shall be used for all signs supported on 2' and 2 1/2" diameter pipe post.

**TRIANGULAR SLIP BASE**



Triangular slip base shall be used for 3' and larger pipe posts. The crossarm should be parallel to one side of the triangular slip base.



Triangular Slip Base shall be used for signs supported on 3' diameter and larger pipe posts.

**GENERAL NOTES:**

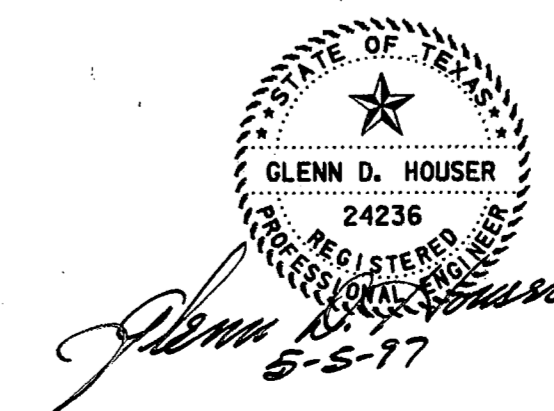
Support and design shall conform with AASHTO Standard Specifications for structural supports of Highway signs, luminaires and traffic signals with a design wind speed of 60 mph.

Steel pipe shall be galvanized in accordance to ASTM Designation A123.

Where solid rock is encountered at ground level, the foundation shall be a minimum depth of 18 inches. When solid rock is encountered below ground level, the foundation shall extend into the solid rock a minimum depth of 18 inches or provide a minimum foundation depth of 30 inches. Δ

**FINAL RECORD DRAWING**  
Date: 12/25/99

ISSUE DATE: 11-26-96



**STANDARD PLANS**  
TEXAS DEPARTMENT OF TRANSPORTATION  
Traffic Operations Division

**SMALL ROADSIDE SIGN FOUNDATION DETAILS**  
SMD(I-4)-95 (MOD.)

ORIG DRAW DATE: August 1995	DN: LR	CK: LR	DR: DN	CR: LR	REG NO: 11-96Δ
REVISIONS	STATE DISTRICT	FEDERAL REGION	FEDERAL AID PROJECT		SHEET 46
	6		COUNTY	CONTROL SECTION JOB HIGHWAY	26D