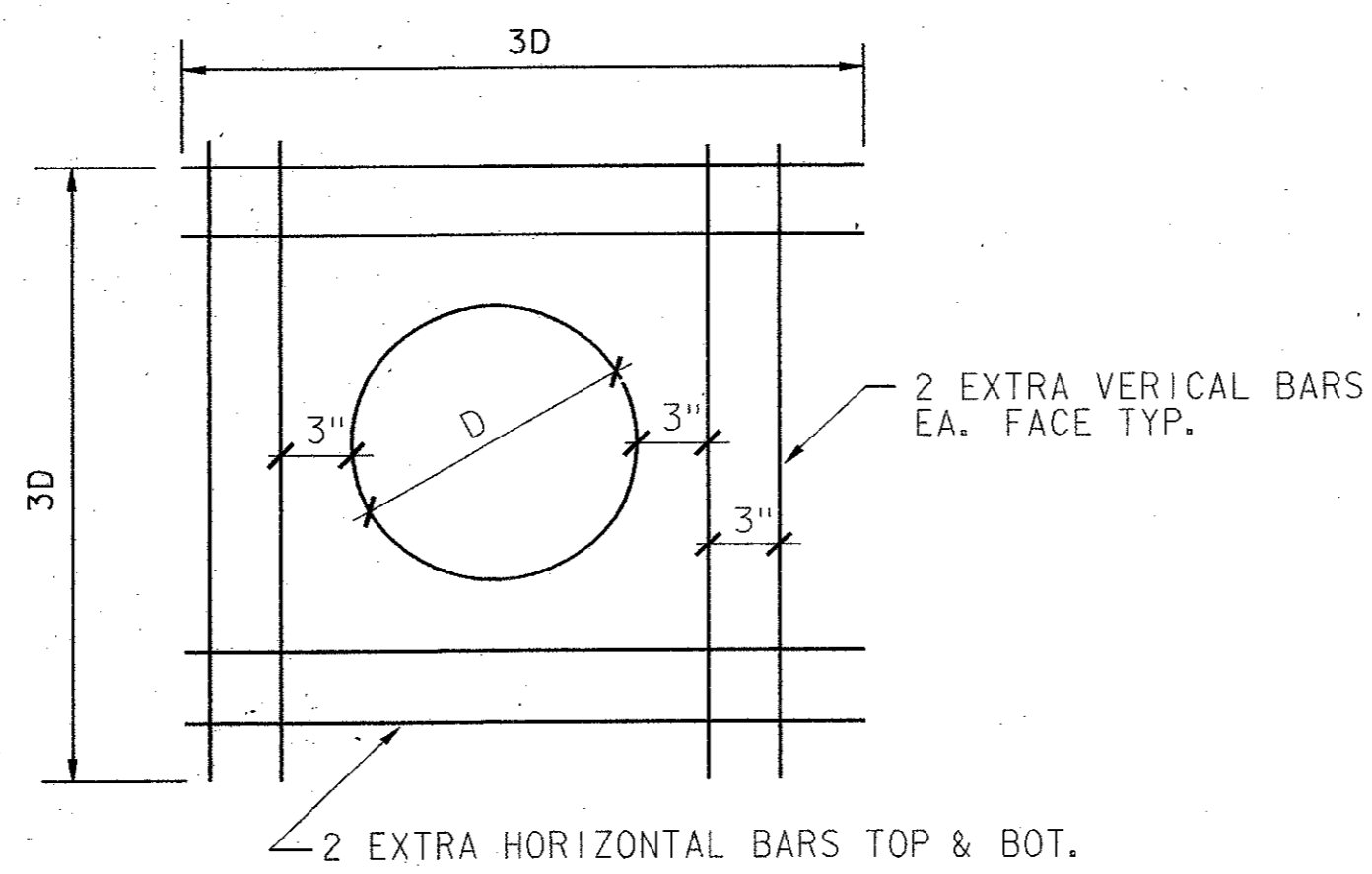
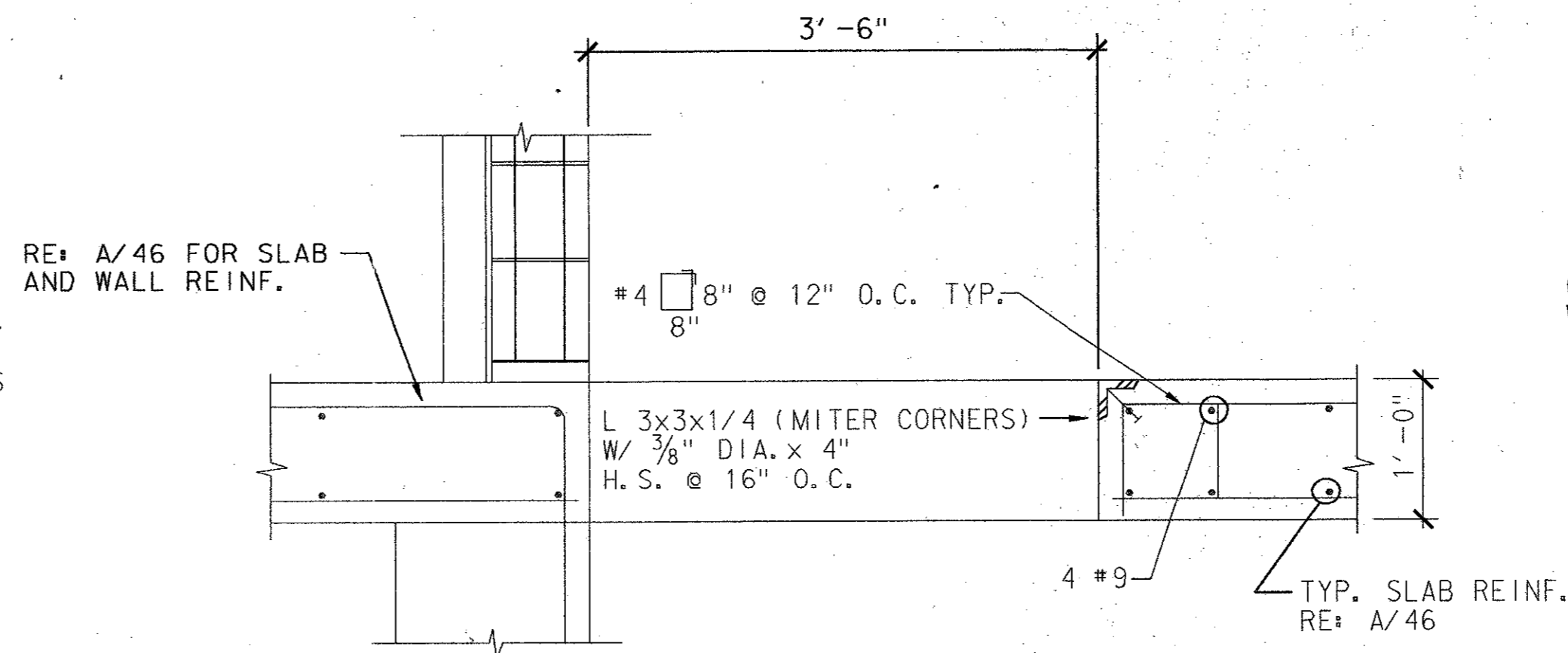


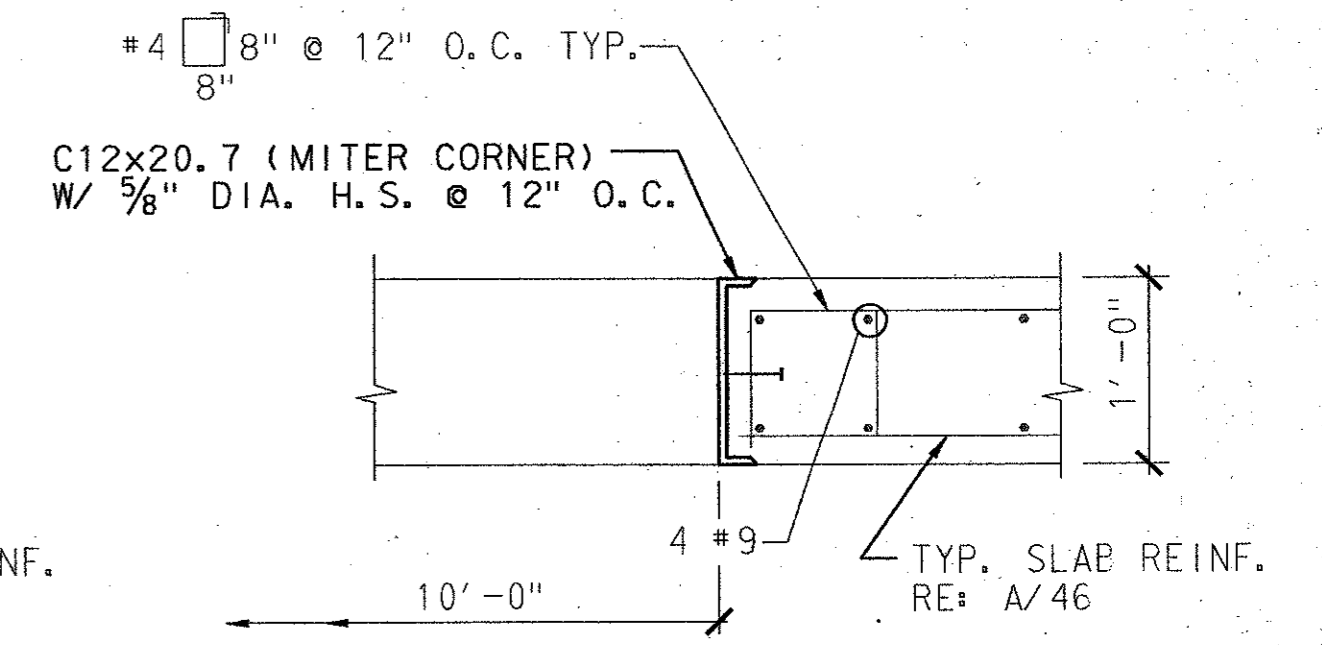
TYPICAL DETAIL (A)
1" = 1'-0"



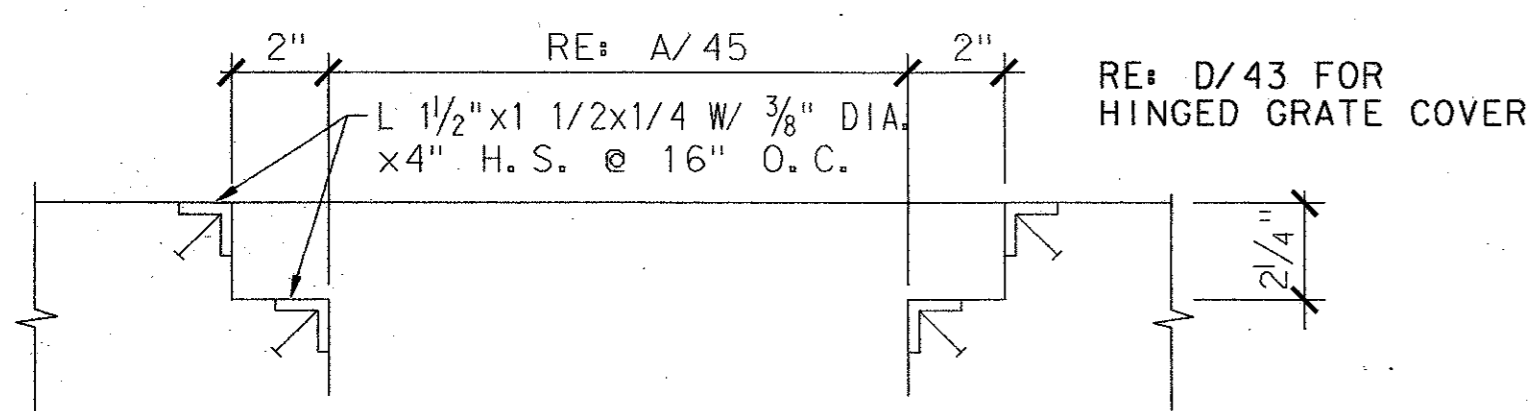
REINFORCEMENT AROUND WALL OPENINGS (B)
1/2" = 1'-0"



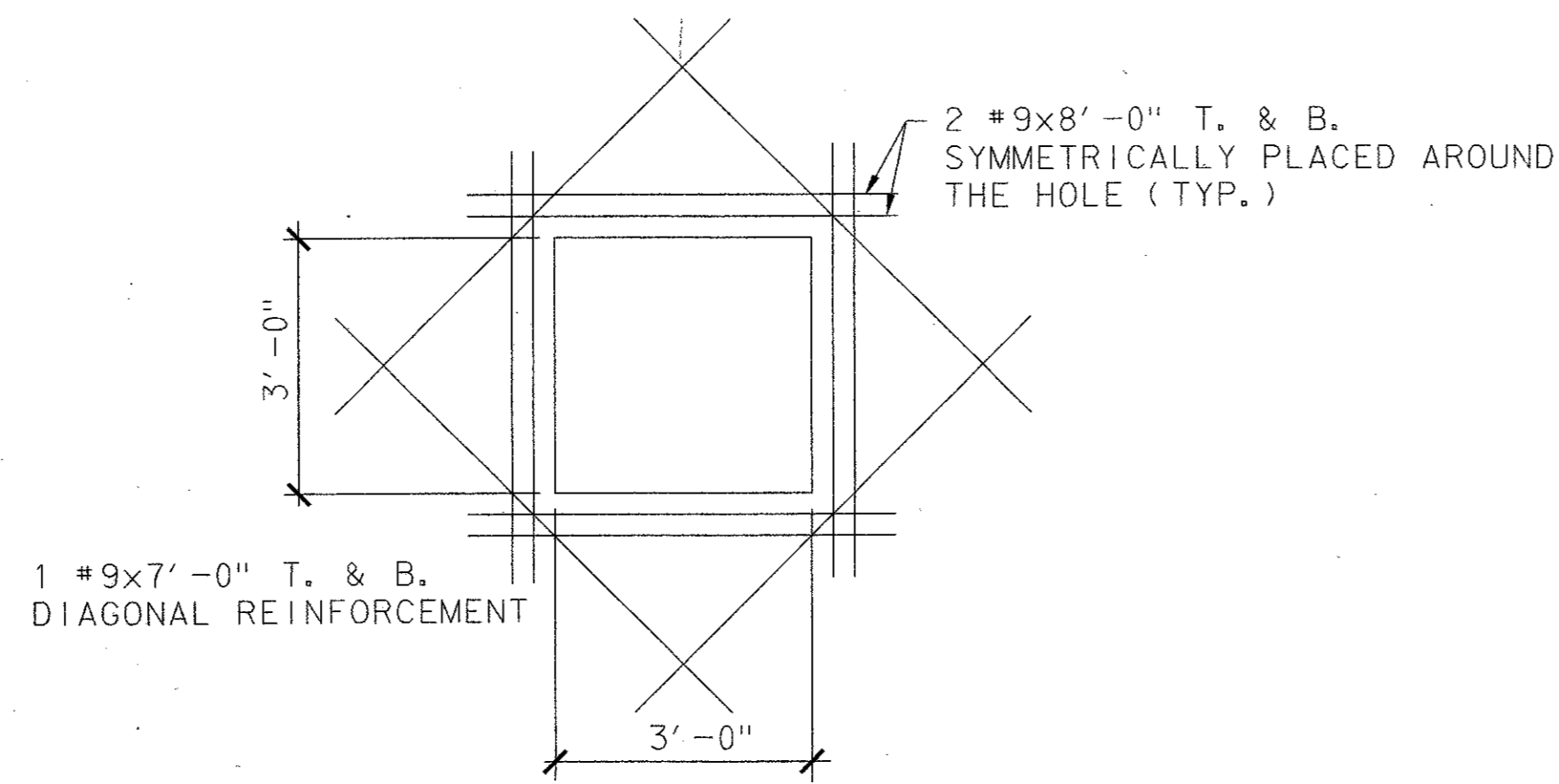
SECTION AT STAIR OPENINGS (C)
1" = 1'-0"



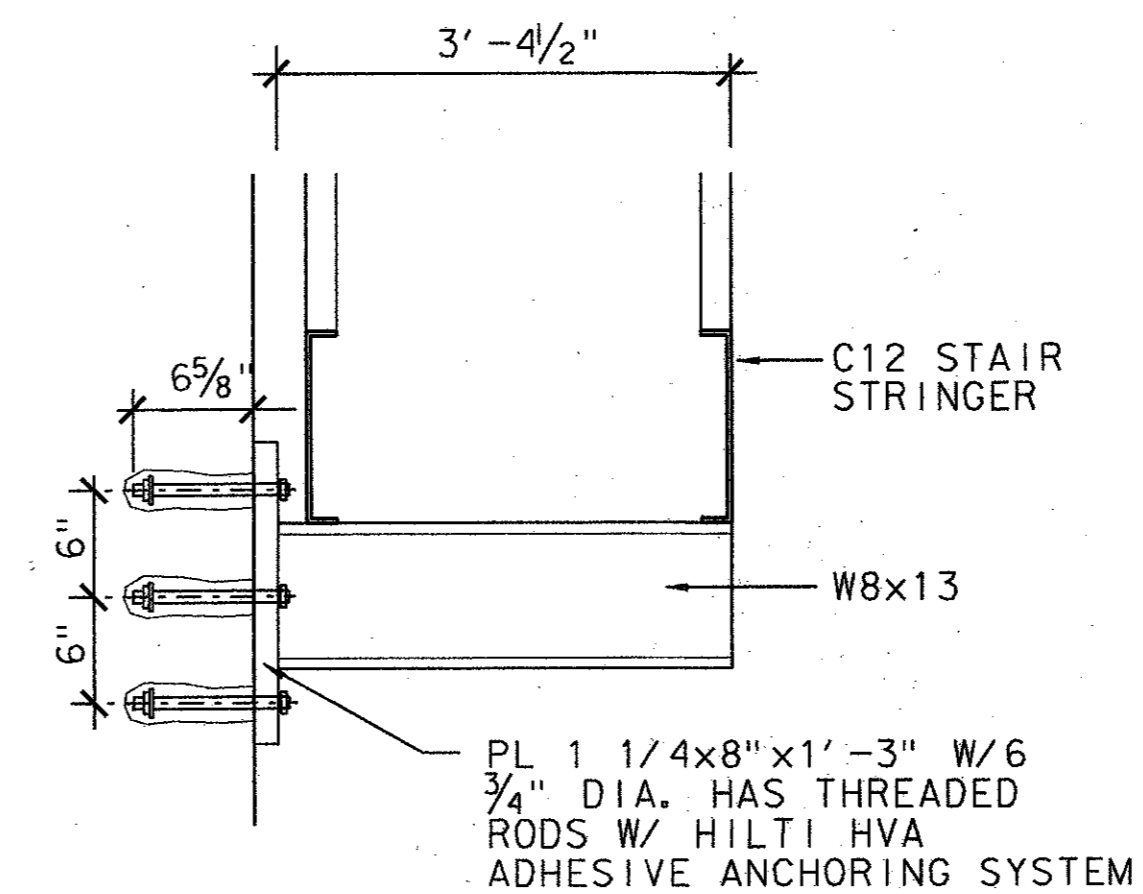
LONG SECTION AT STAIR OPENING (D)
1" = 1'-0"



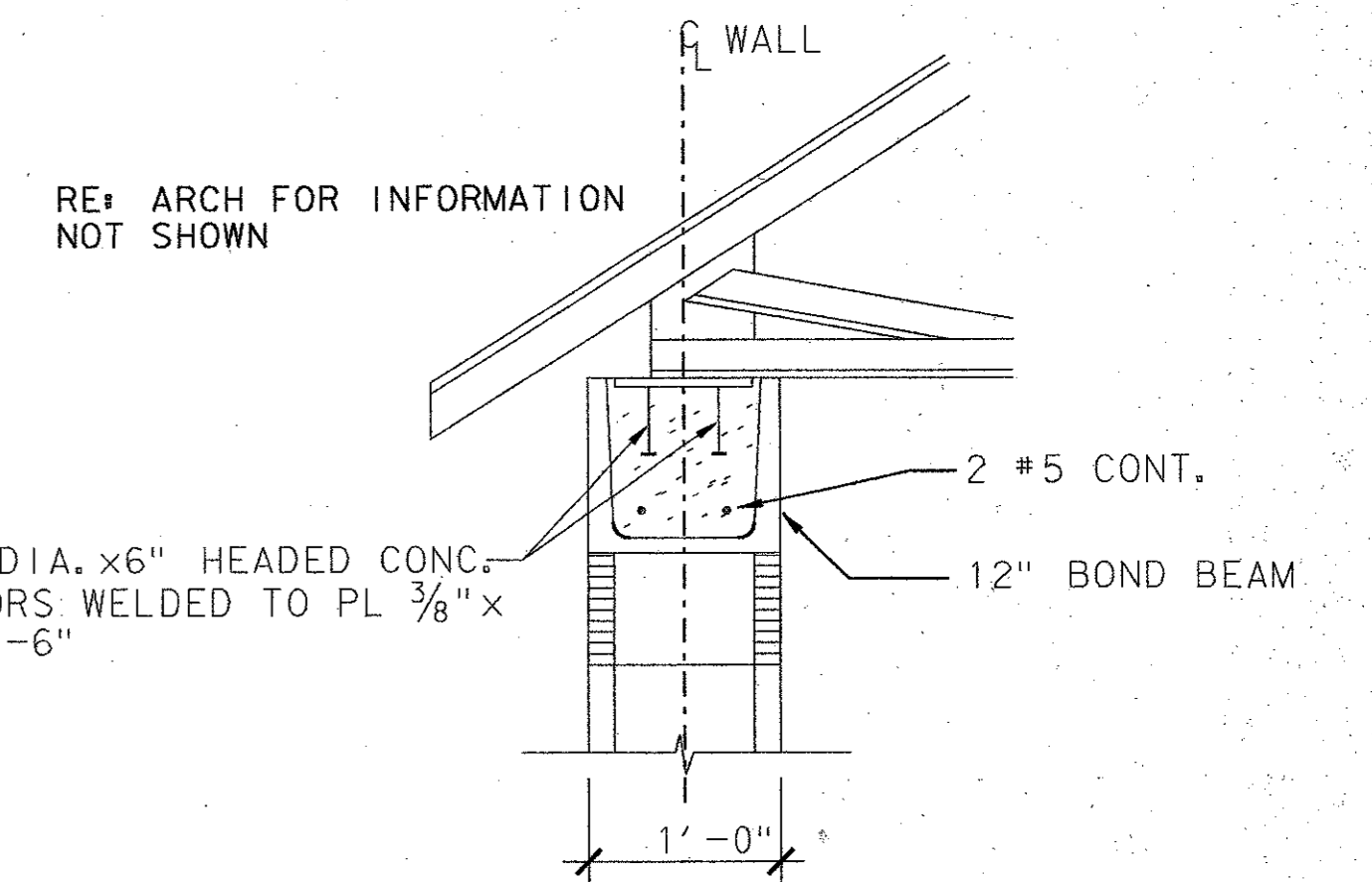
SECTION AT ACCESS HOLE (E)
1" = 1'-0"



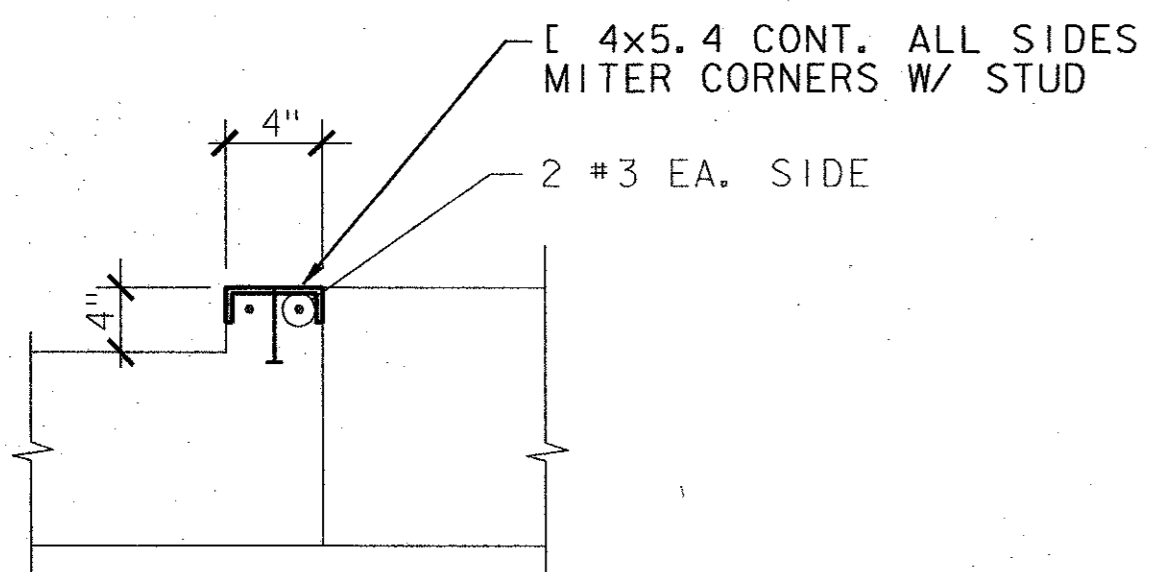
DETAIL - 3'-0" SQ. OPENINGS (F)
1/2" = 1'-0"



TYPICAL STAIR SUPPORT (G)
1" = 1'-0"



TRUSS SEAT AT BOND BEAM (H)
1" = 1'-0"



HATCH AND FAN OPENING DETAIL (I)
1" = 1'-0"

4			
3			
2			
1			
NO.	DATE	REVISION	APPROV.
TOWN OF ADDISON, TEXAS			
MIDWAY/BELTLINE SANITARY SEWER PHASE II			
LIFT STATION STRUCTURAL DETAILS			
Carter & Burgess Consultants in Engineering, Architecture, Planning and the Environment CARTER & BURGESS, INC. 7950 ELMBROOK DRIVE, SUITE 250 DALLAS, TX 75247-4961			
Unit#	Scale#	Date	04-05-96
Designed	K. Houghton	Checked	K. Houghton
Drawn	C. Sammons	Approved	J. Lindner
Job No.	93327601D	Sheet	48 of 63

