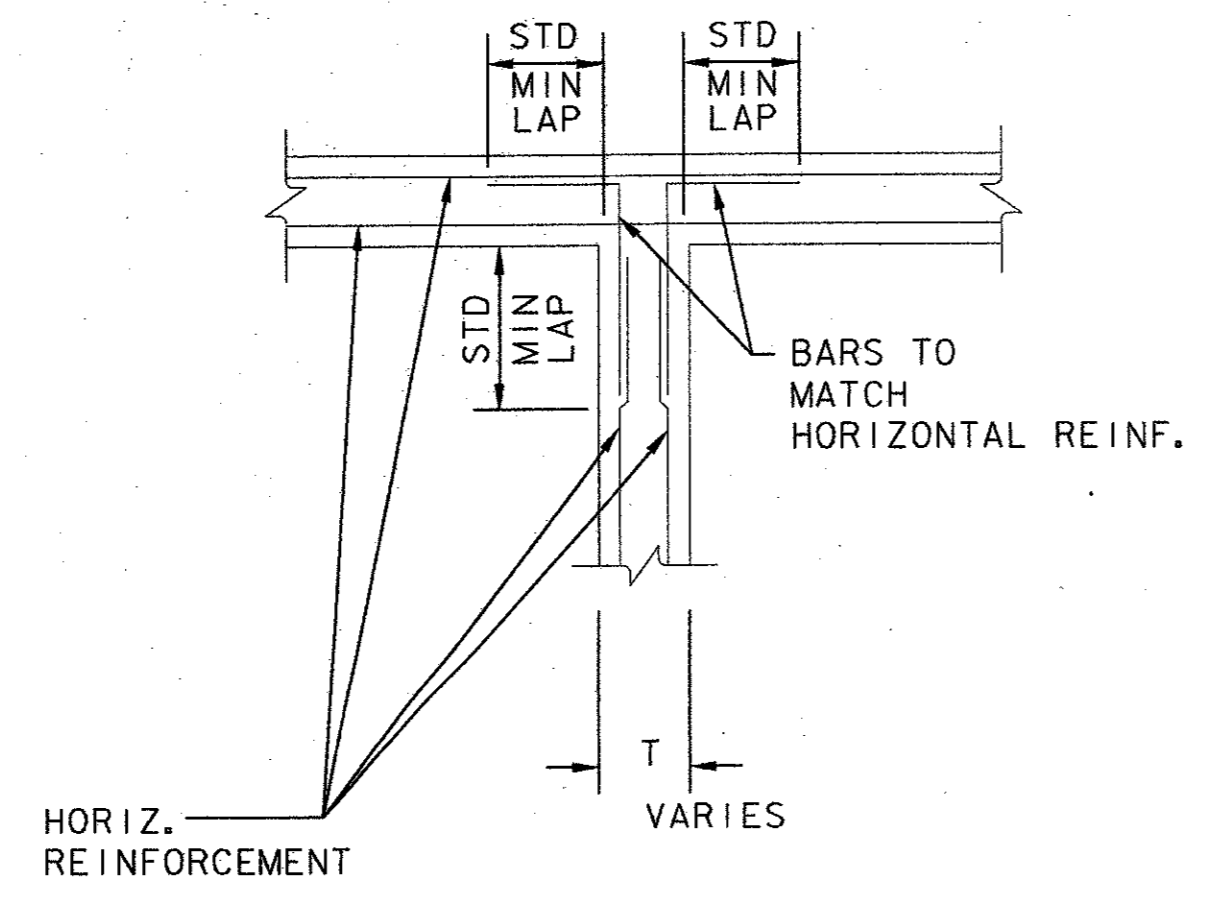
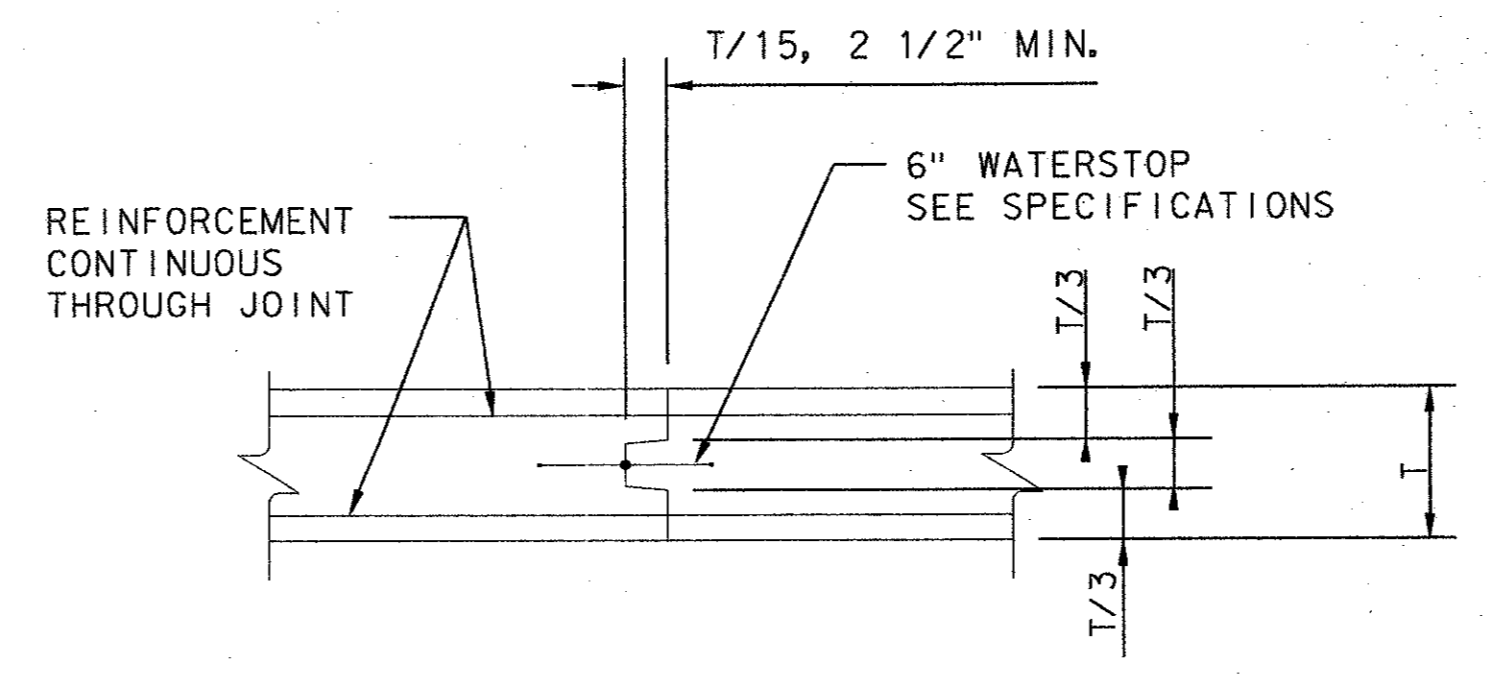


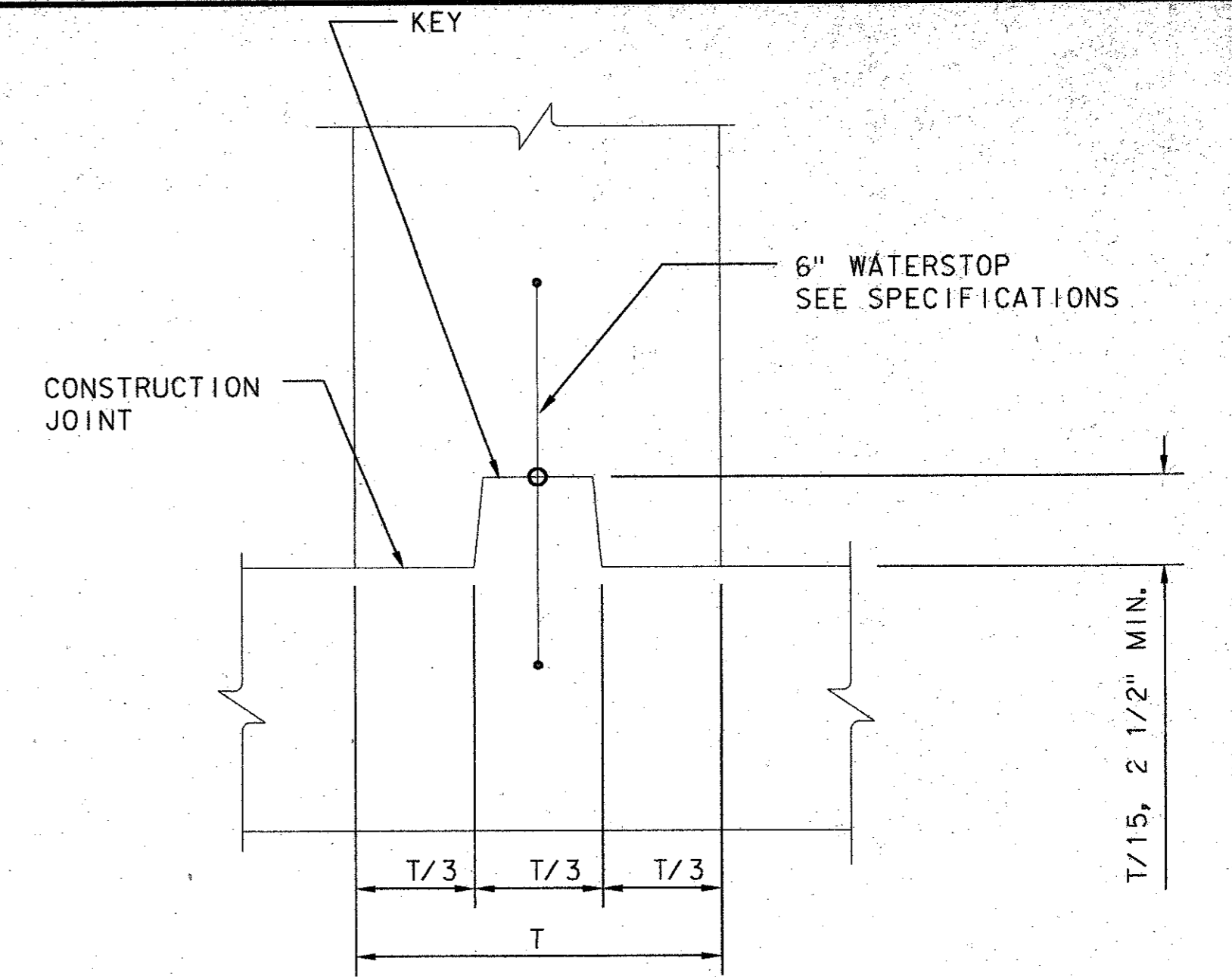
TYPICAL CORNER DETAIL (A)



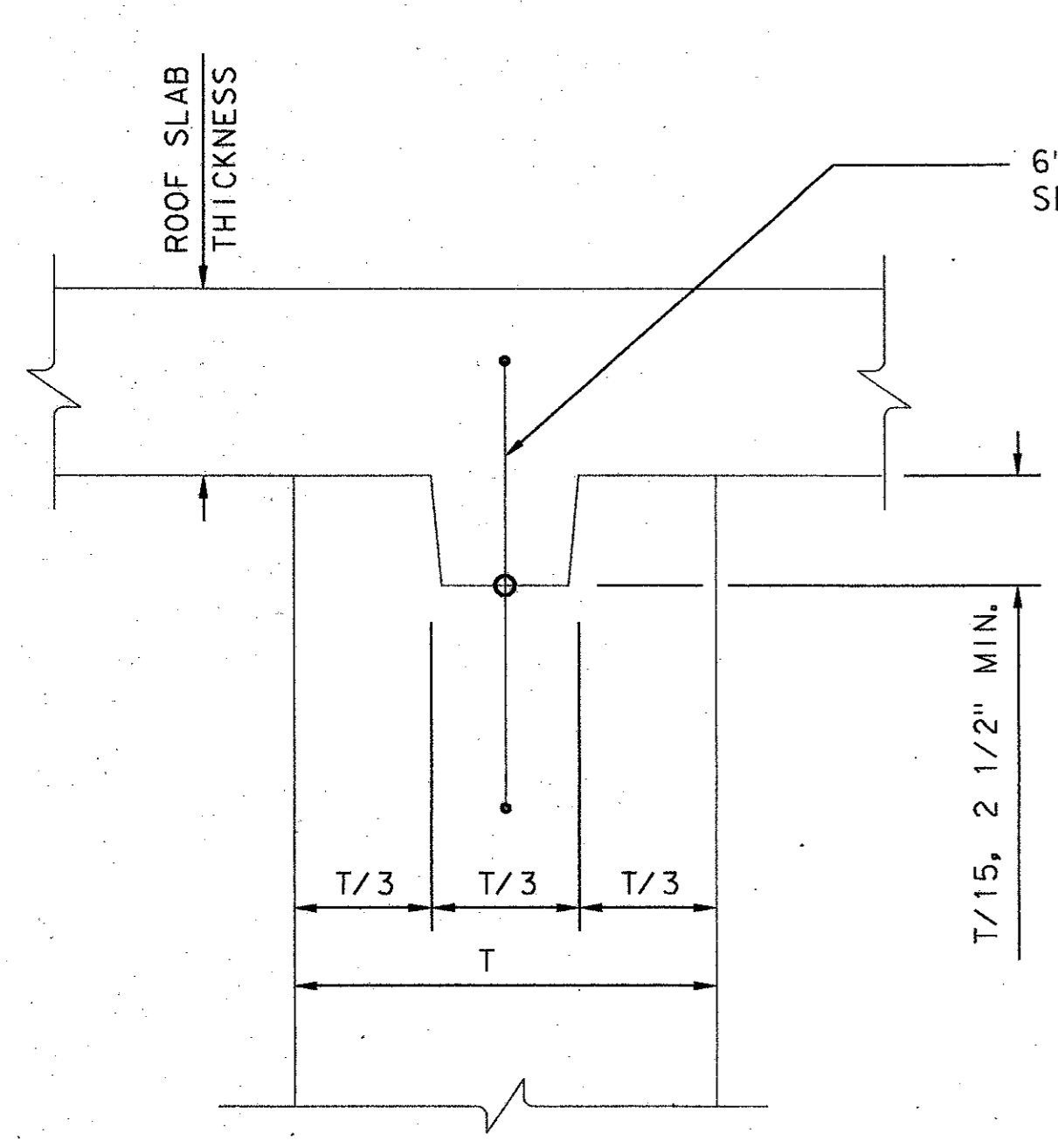
TYPICAL WALL TO WALL DETAIL (B)



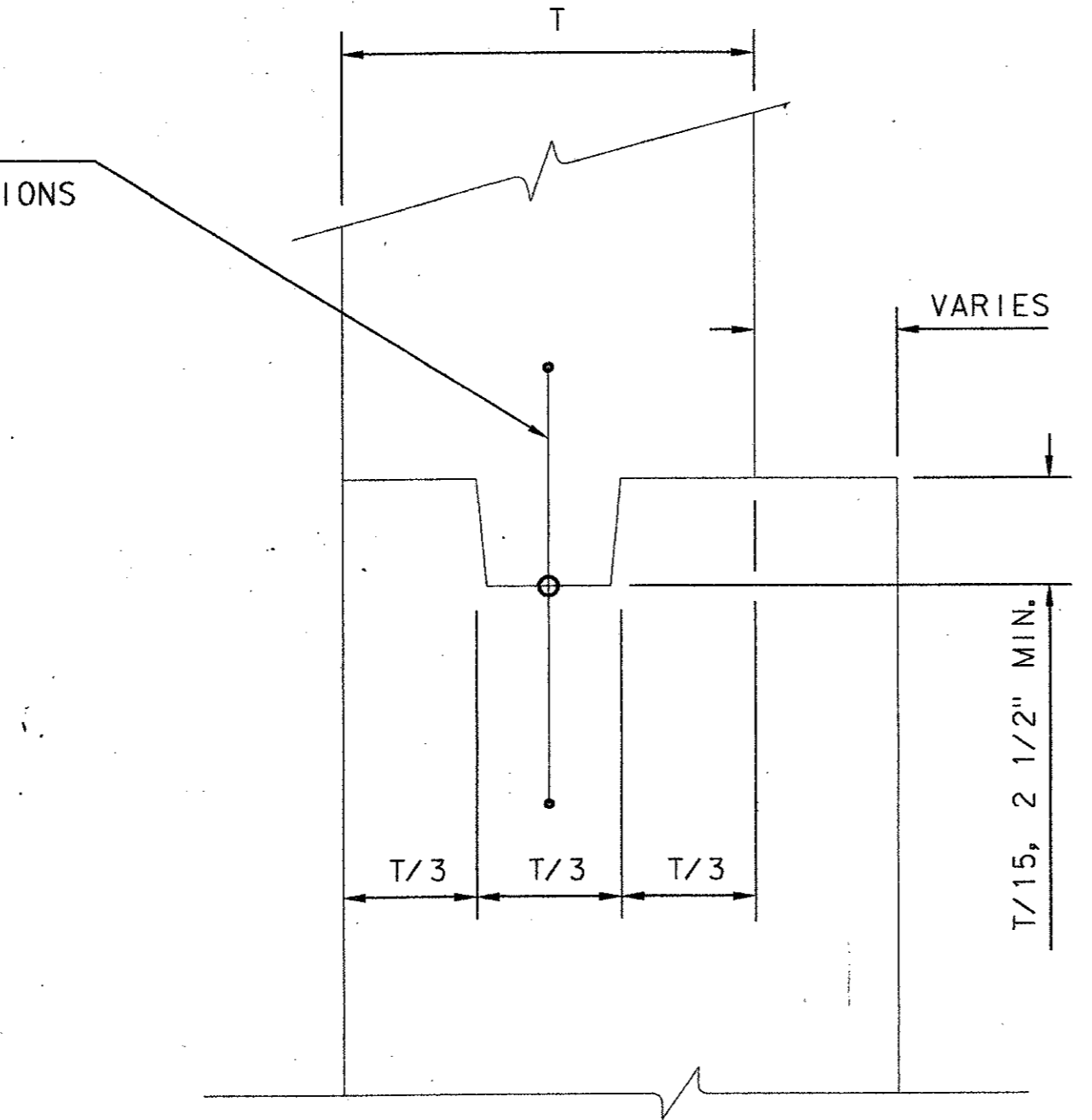
CONSTRUCTION JOINT AT SLAB (C)



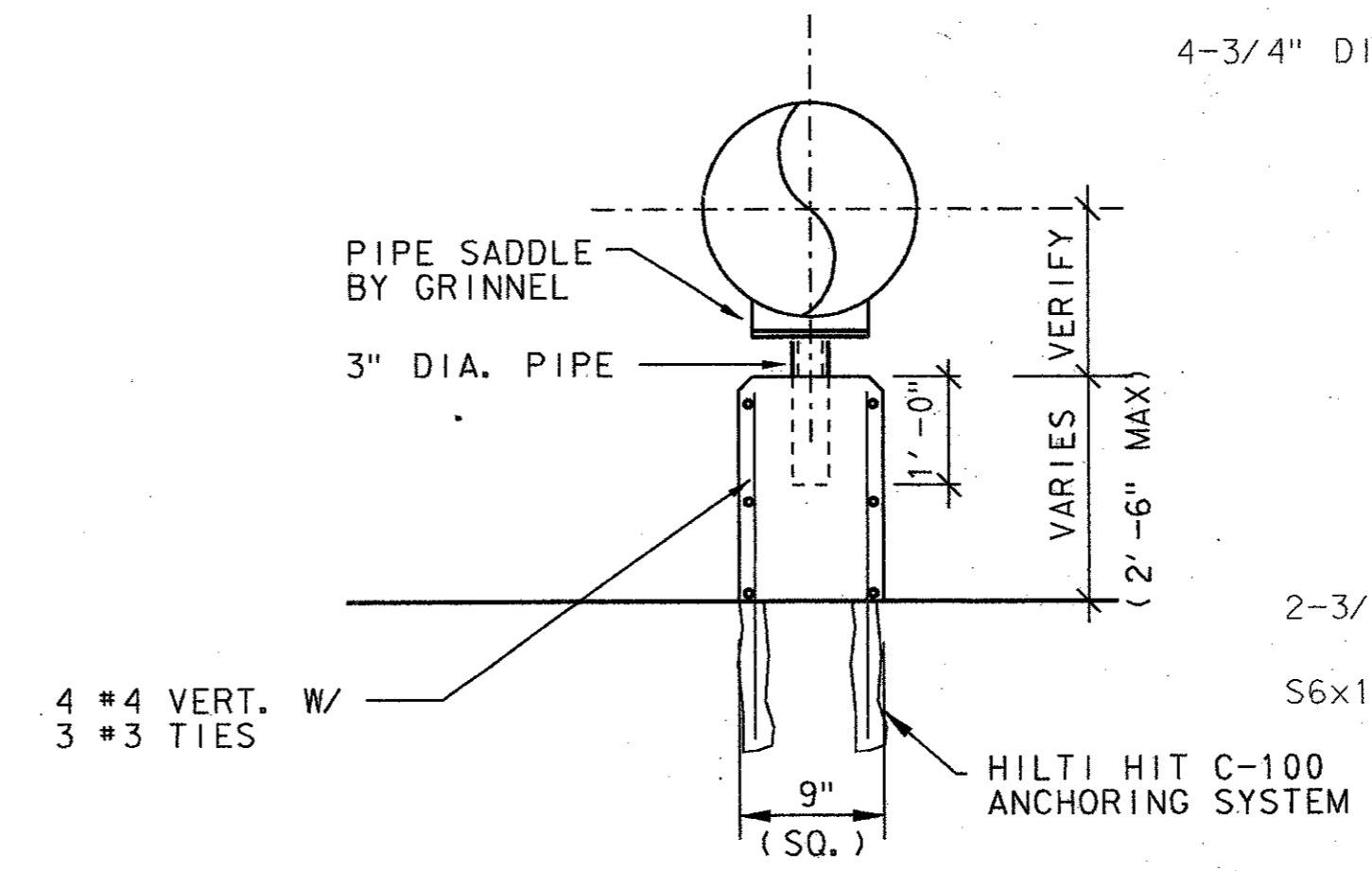
CONSTRUCTION JOINT LOWER SLAB TO WALL (D)



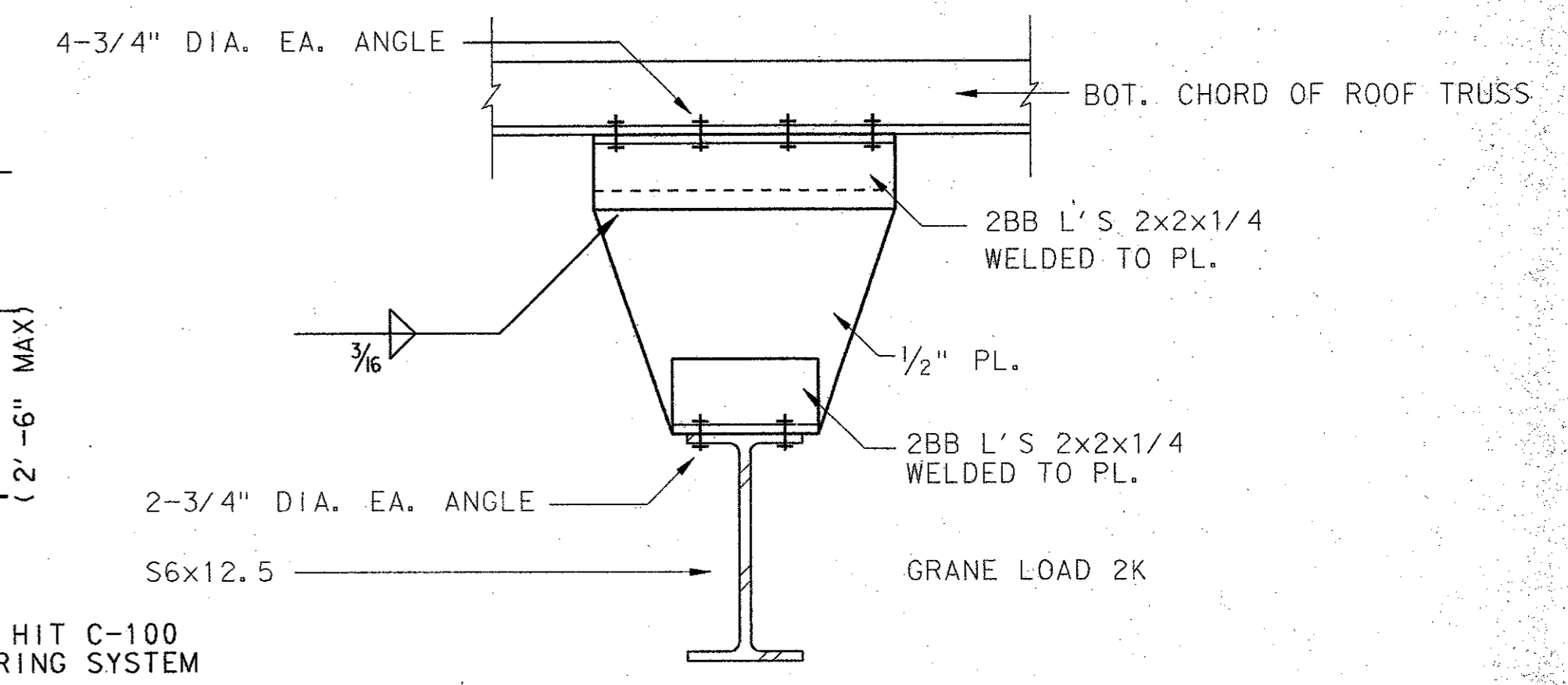
CONSTRUCTION JOINT UPPER SLAB TO WALL (E)



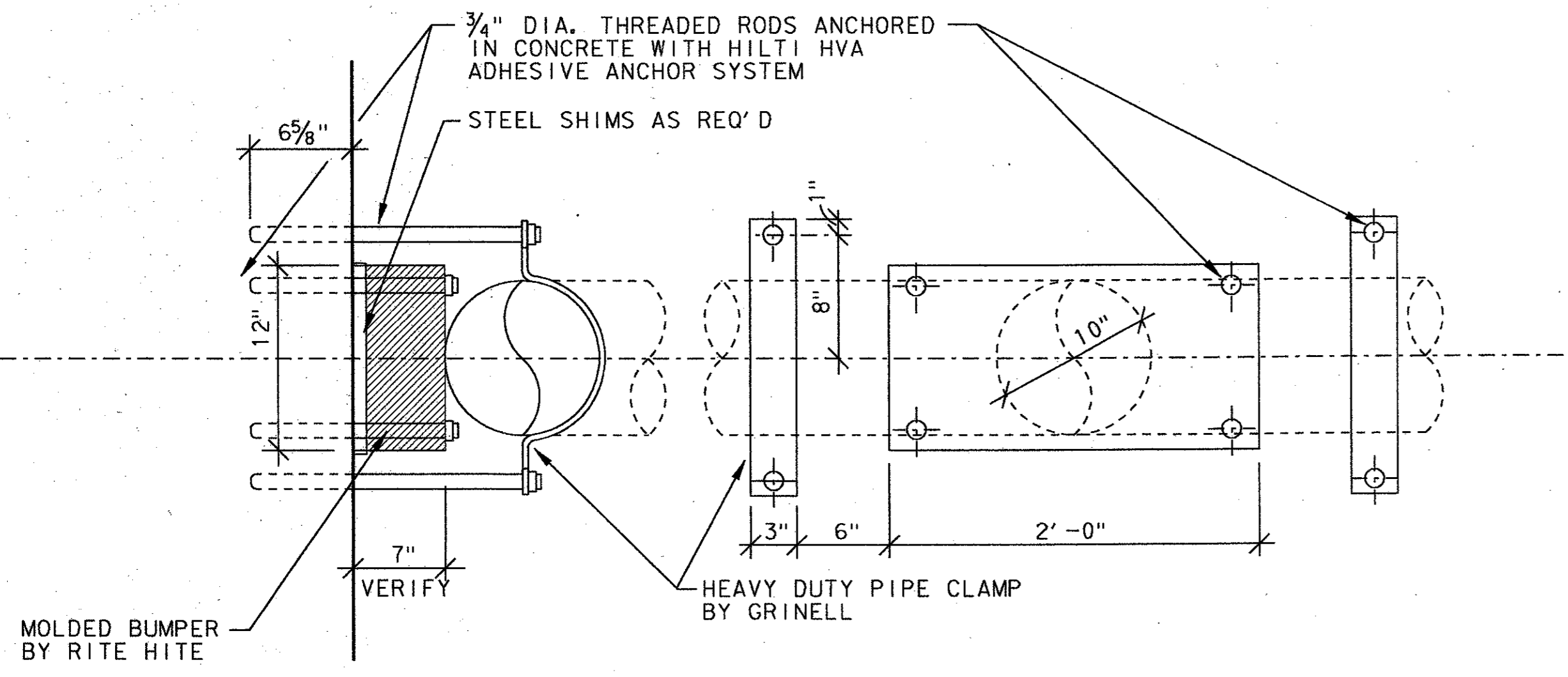
HORIZ. OR VERT. CONSTRUCTION JOINT AT WALL (F)



TYPICAL PUMP SUPPORT (G)

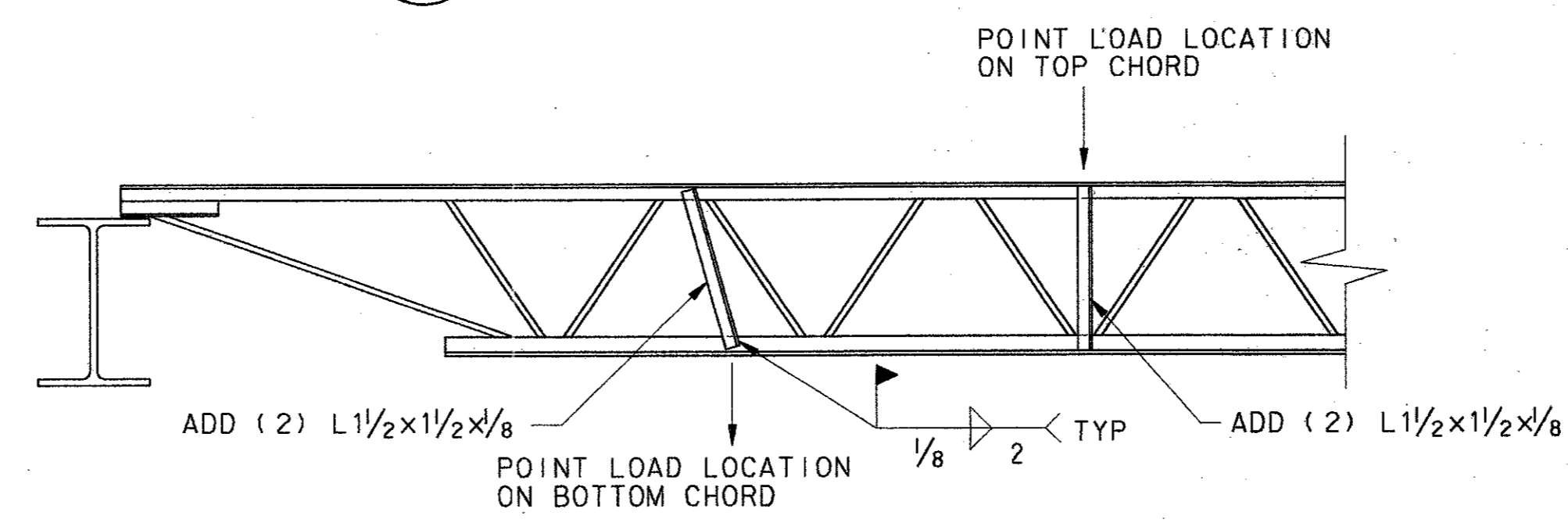


MONORAIL HOIST BEAM HANGER (H)



REF TO MECH DWGS FOR PIPE SIZE AND THRUST BLOCK LOCATIONS

THRUST BLOCK DETAIL (I)



TYP. SUPPLEMENTAL BRACING FOR JOIST POINT LOADS

NOTE: USE THIS DETAIL WHEN POINT LOAD EXCEEDS 20 LBS. AND IS 6" OR MORE AWAY FROM PANEL POINT. ANGLES TO BE IN PLACE PRIOR TO APPLICATION OF LOAD. CONTRACTOR SHALL COORDINATE ALL SUPERIMPOSED LOADS WITH THE JOIST MANUFACTURER PRIOR TO JOIST FABRICATION. LOCATIONS OF THESE LOADS SHALL BE ON THE SUBMITTED JOIST SHOP DRAWINGS.

TYP. JOIST CHORD BRACING DETAIL (J)

4			
3			
2			
1			
NO.	DATE	REVISION	APPROV.
TOWN OF ADDISON, TEXAS			
MIDWAY/BELTLINE SANITARY SEWER PHASE II			
LIFT STATION STRUCTURAL DETAILS			
Carter & Burgess Consultants in Engineering, Architecture, Planning and the Environment CARTER & BURGESS, INC. 7500 EMBROOK DRIVE, SUITE 250 DALLAS, TX 75247-4961			
Unit	Scale	Date	04-05-96
Designed	K. Houghton	Checked	K. Houghton
Drawn	C. Sammons	Approved	J. Lindner
Job No.	93327601D		Sheet
		49 of 63	

JKH
 4/5/96