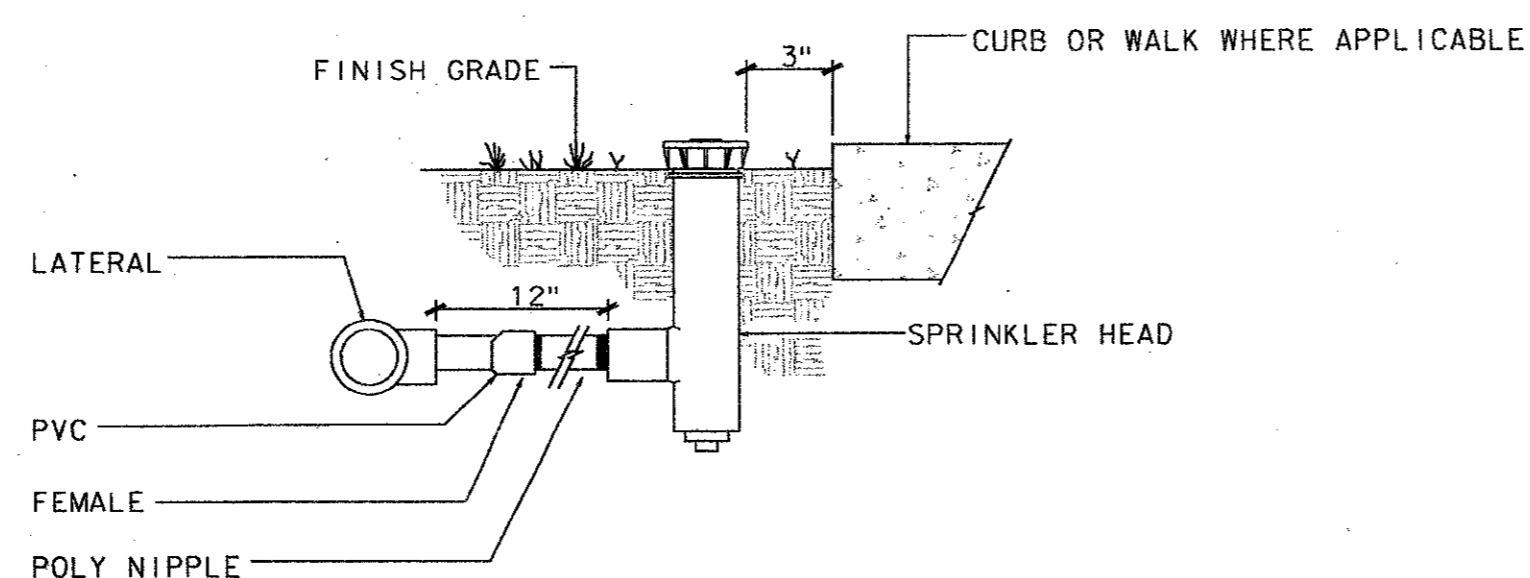


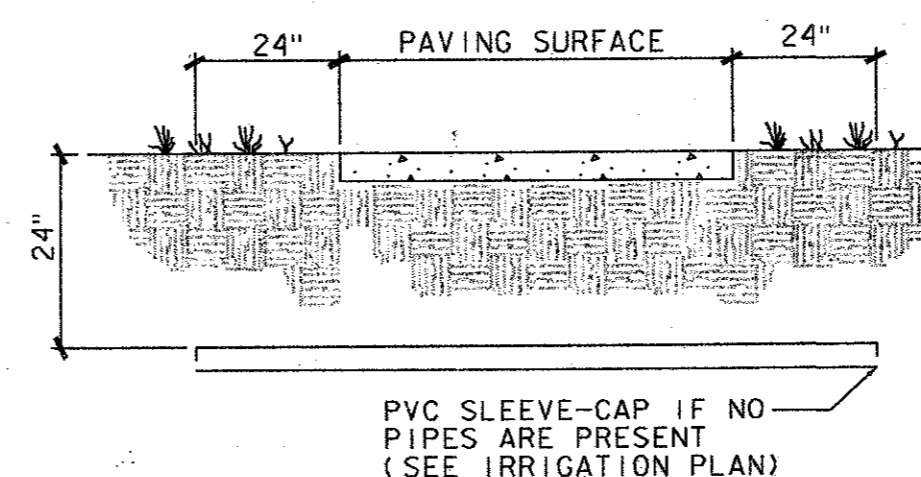
TURF POP-UP SPRAY AND ROTOR HEAD DETAIL

NOT TO SCALE



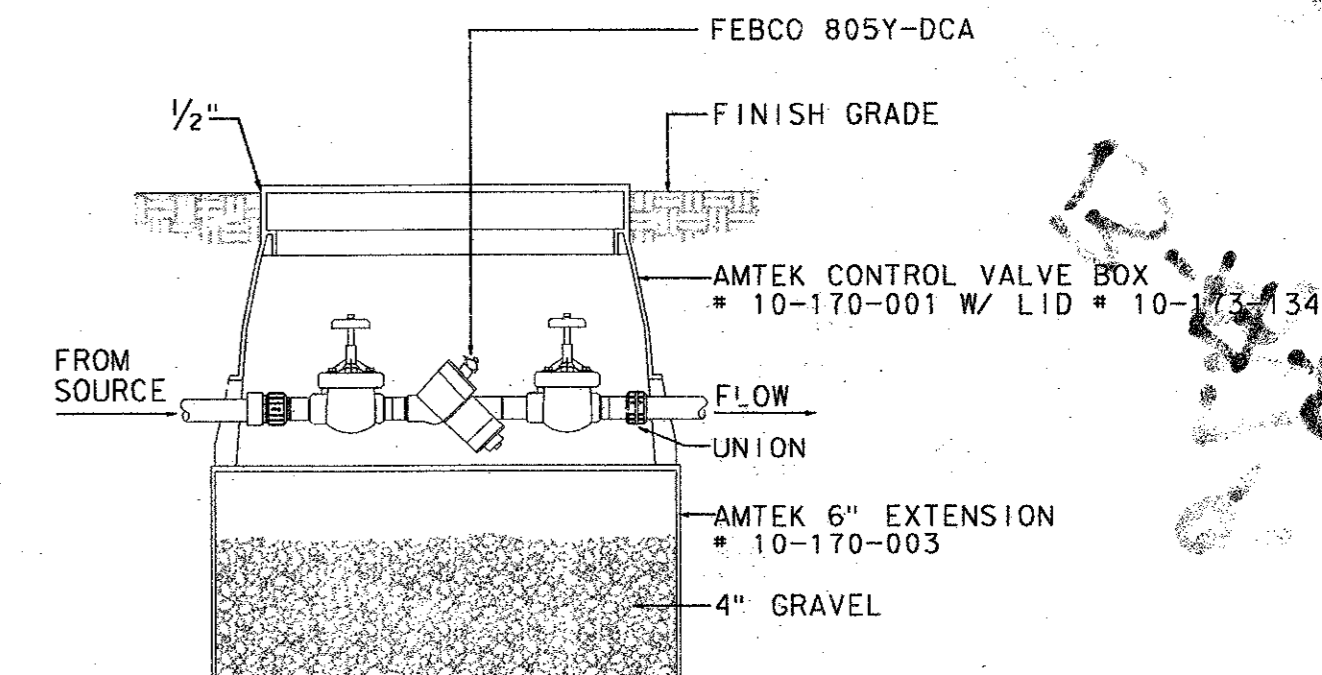
HIGH POP-UP SPRAY HEAD DETAIL

NOT TO SCALE



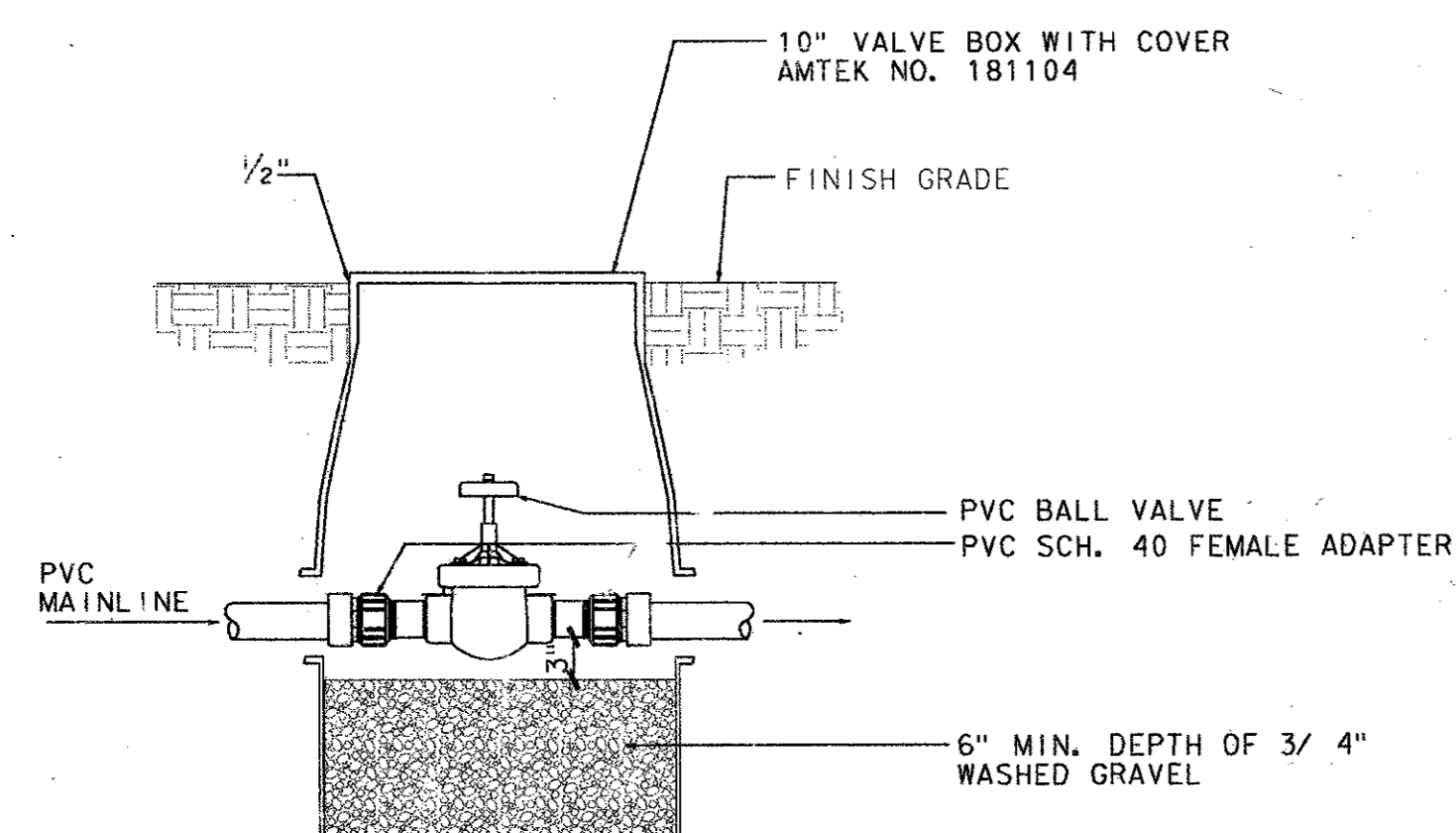
SLEEVE DETAIL

NOT TO SCALE



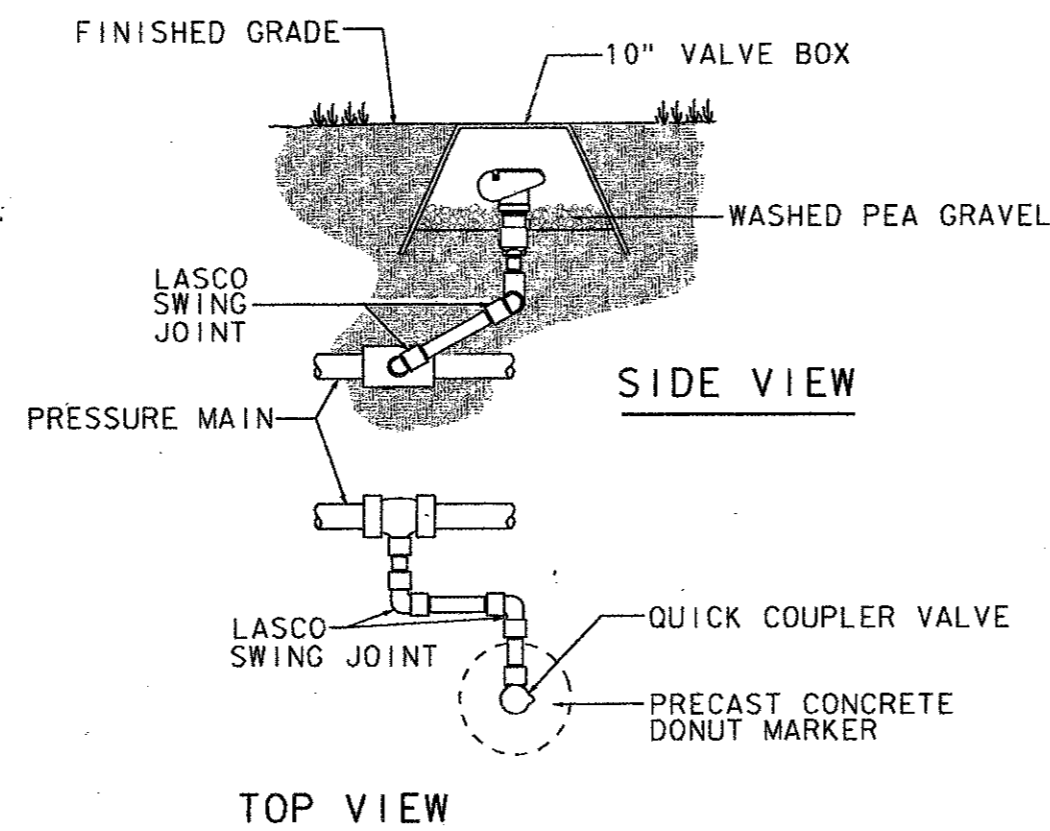
BACKFLOW PREVENTION DETAIL

NOT TO SCALE



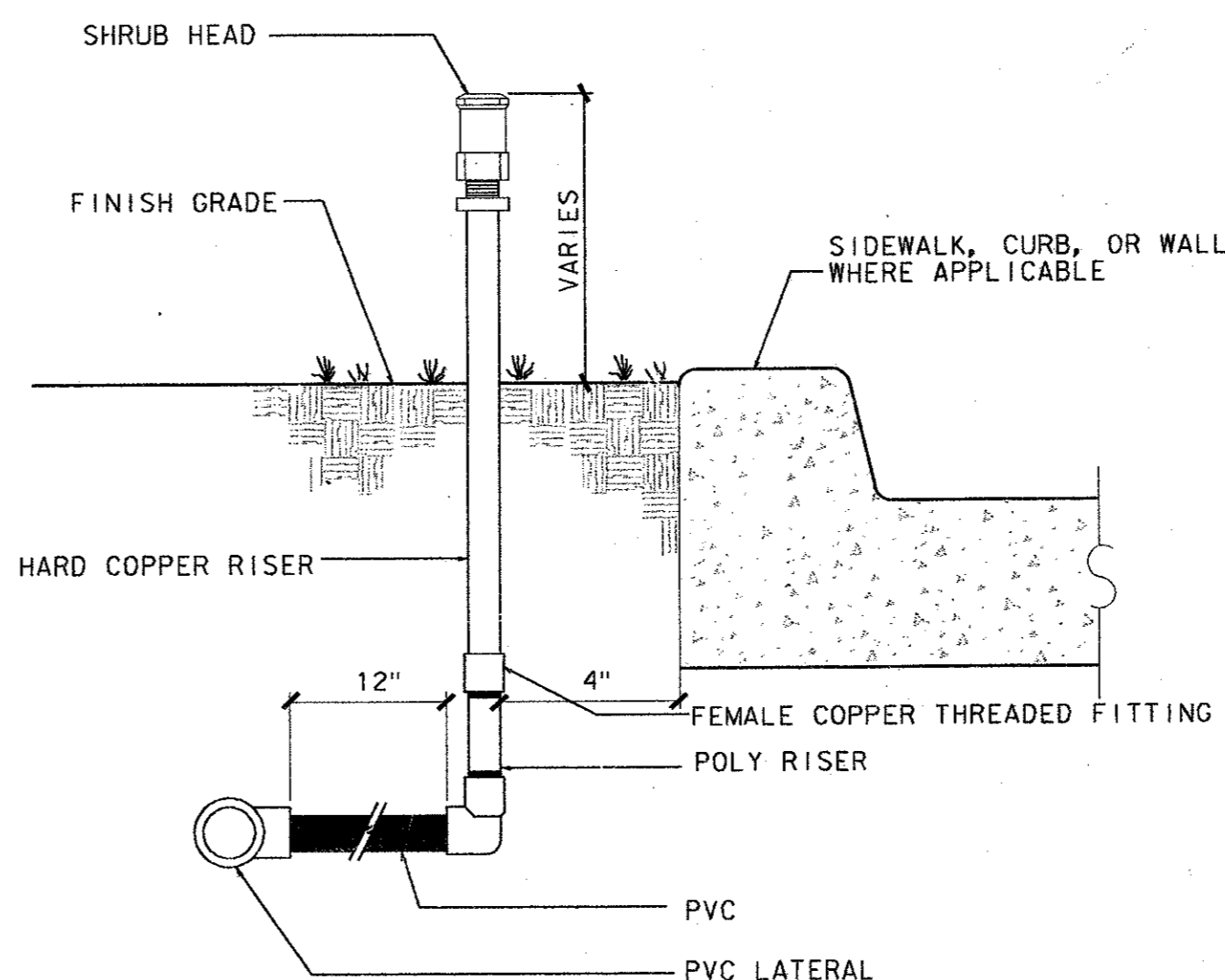
ISOLATION GATE VALVE DETAIL

NOT TO SCALE



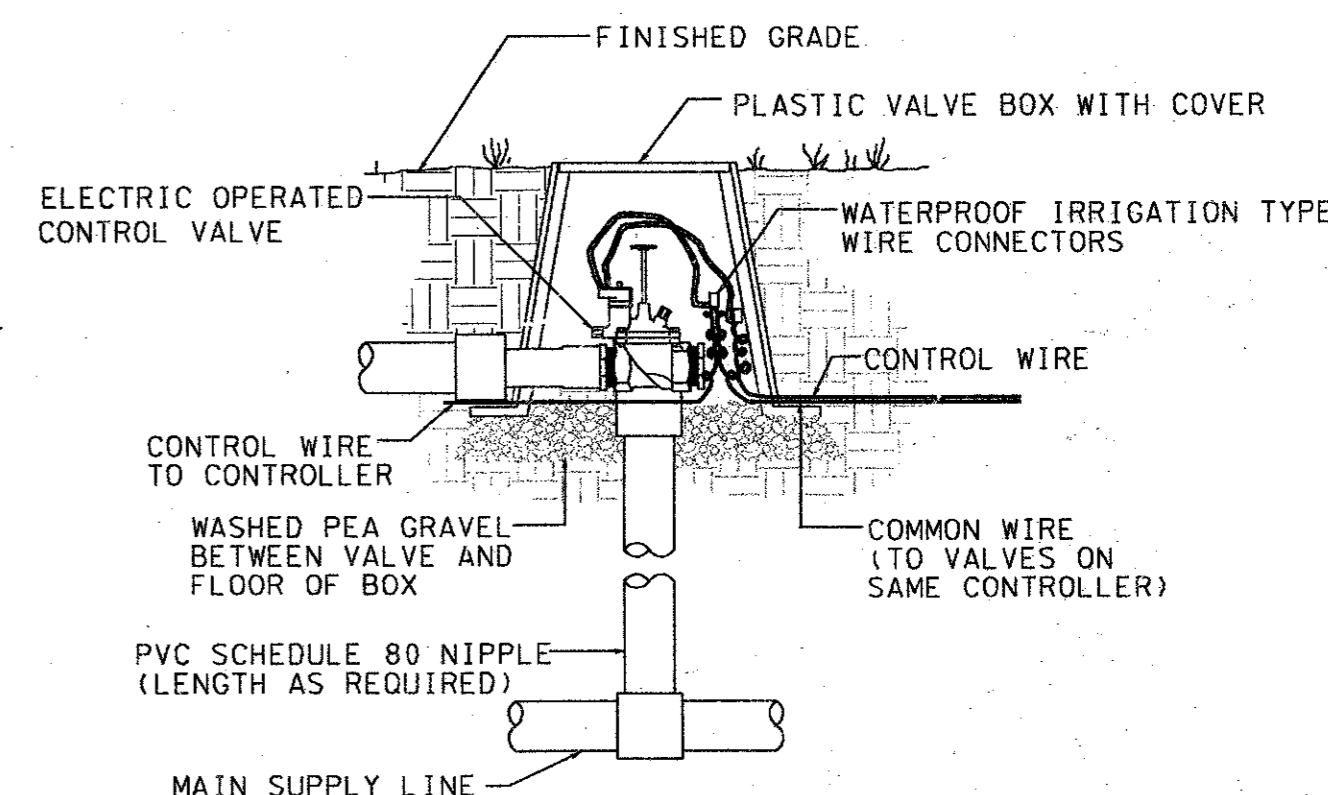
QUICK COUPLING VALVE DETAIL

NOT TO SCALE



SHRUB HEAD DETAIL

NOT TO SCALE

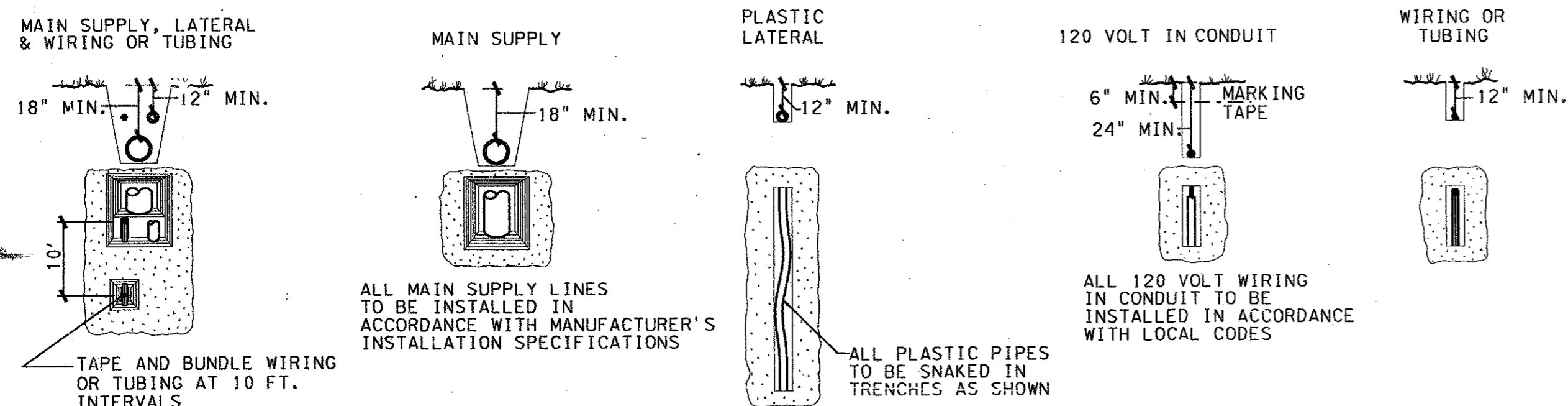


SOLENOID VALVE DETAIL

NOT TO SCALE

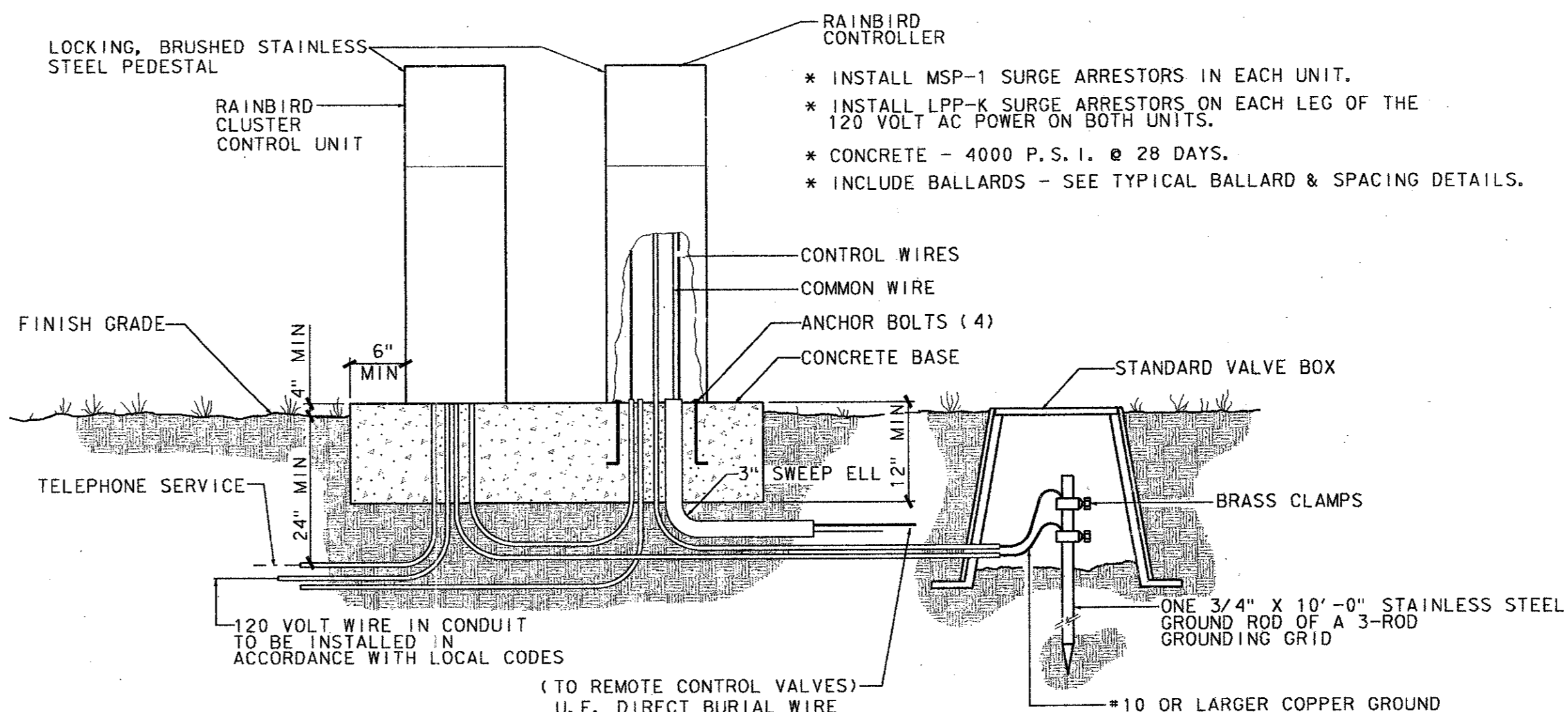
NOTES

1. ALL WIRE TO BE INSTALLED PER LOCAL CODE.
2. TAPE AND BUNDLE WIRE EVERY TEN FEET.
3. PROVIDE EXPANSION COILS AT EACH WIRE CONNECTION IN VALVE BOX. (WRAP AROUND 1/2" PIPE 15 TIMES.)
4. COMPACT SOIL AROUND VALVE BOX TO SAME DENSITY AS UNDISTURBED ADJACENT SOIL.
5. ORIENT RECTANGULAR VALVE BOXES SO THAT THE EDGES ARE PARALLEL TO ADJACENT WALKS, CURBS, ETC.



TRENCHING DETAILS

NOT TO SCALE



TYPICAL CONTROLLER & CL. CONTROL UNIT PAD DETAILS

NOT TO SCALE

4			
3			
2			
1			
NO.	DATE	REVISION	APP'Y.
TOWN OF ADDISON, TEXAS			
MIDWAY/BELTLINE SANITARY SEWER			
PHASE II			
LIFT STATION			
IRRIGATION DETAILS			
Carter Burgess			
<small>Consultants in Engineering, Architecture, Planning and the Environment CARTER BURGESS, INC. 7950 CLAMROCK DRIVE, SUITE 200 DALLAS, TX 75247-4960</small>			
Unit	Scale	Date	04-05-96
Designed	B. Luck	Checked	J. L. Thidner
Drawn	B. Luck	Approved	J.

