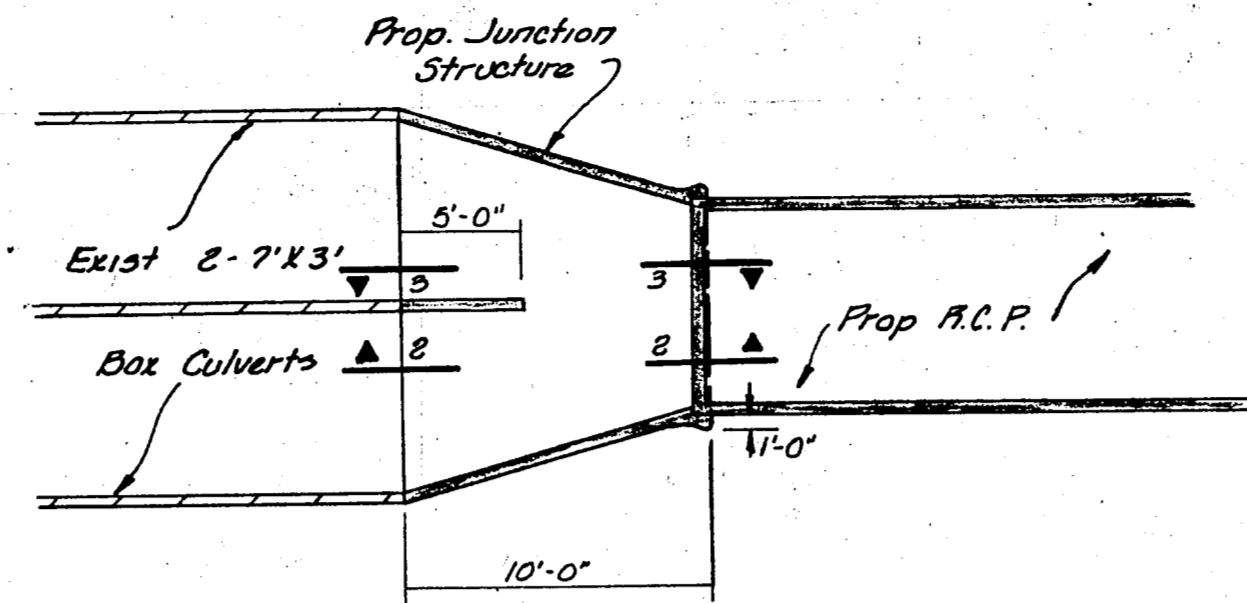
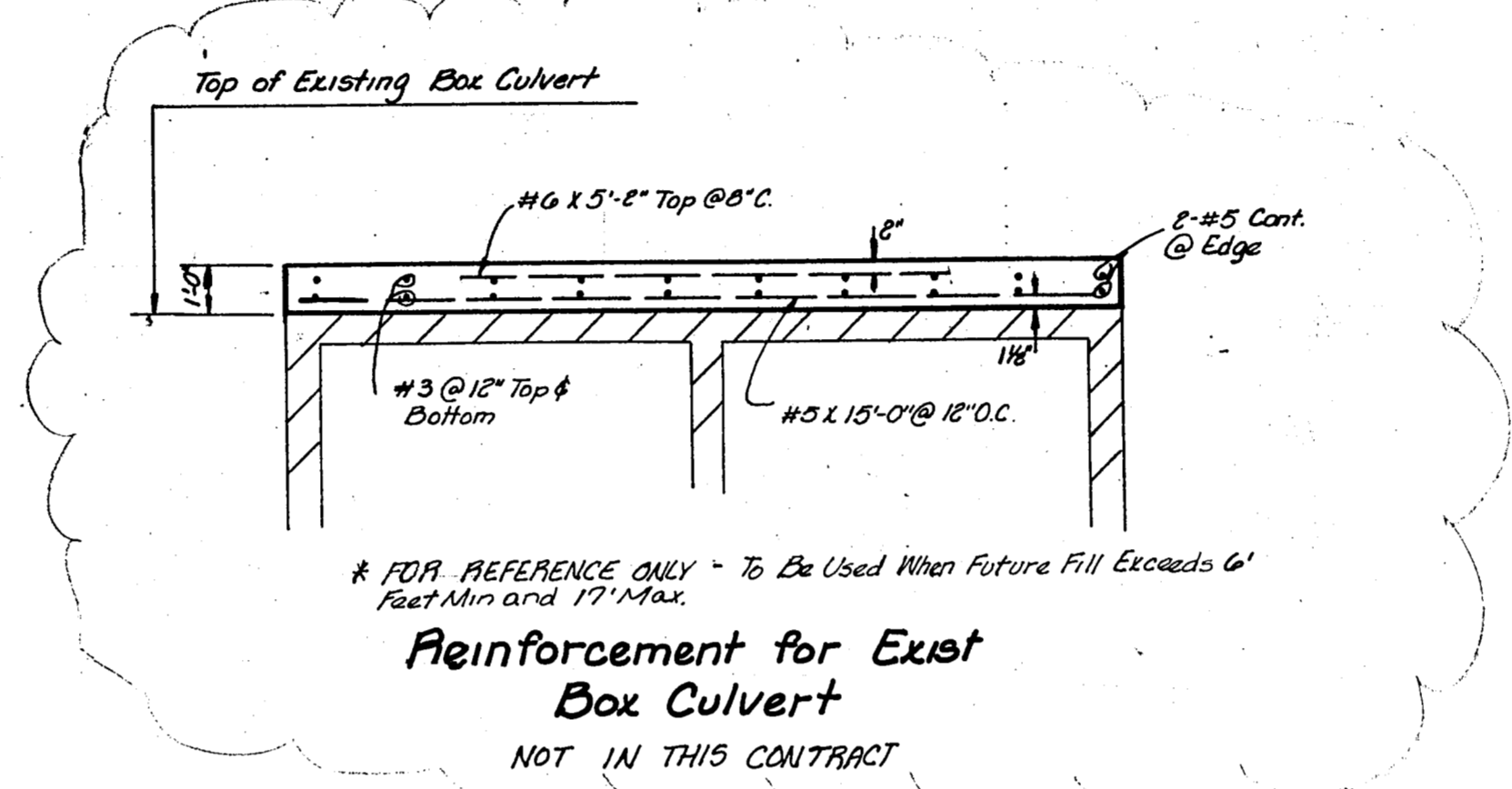


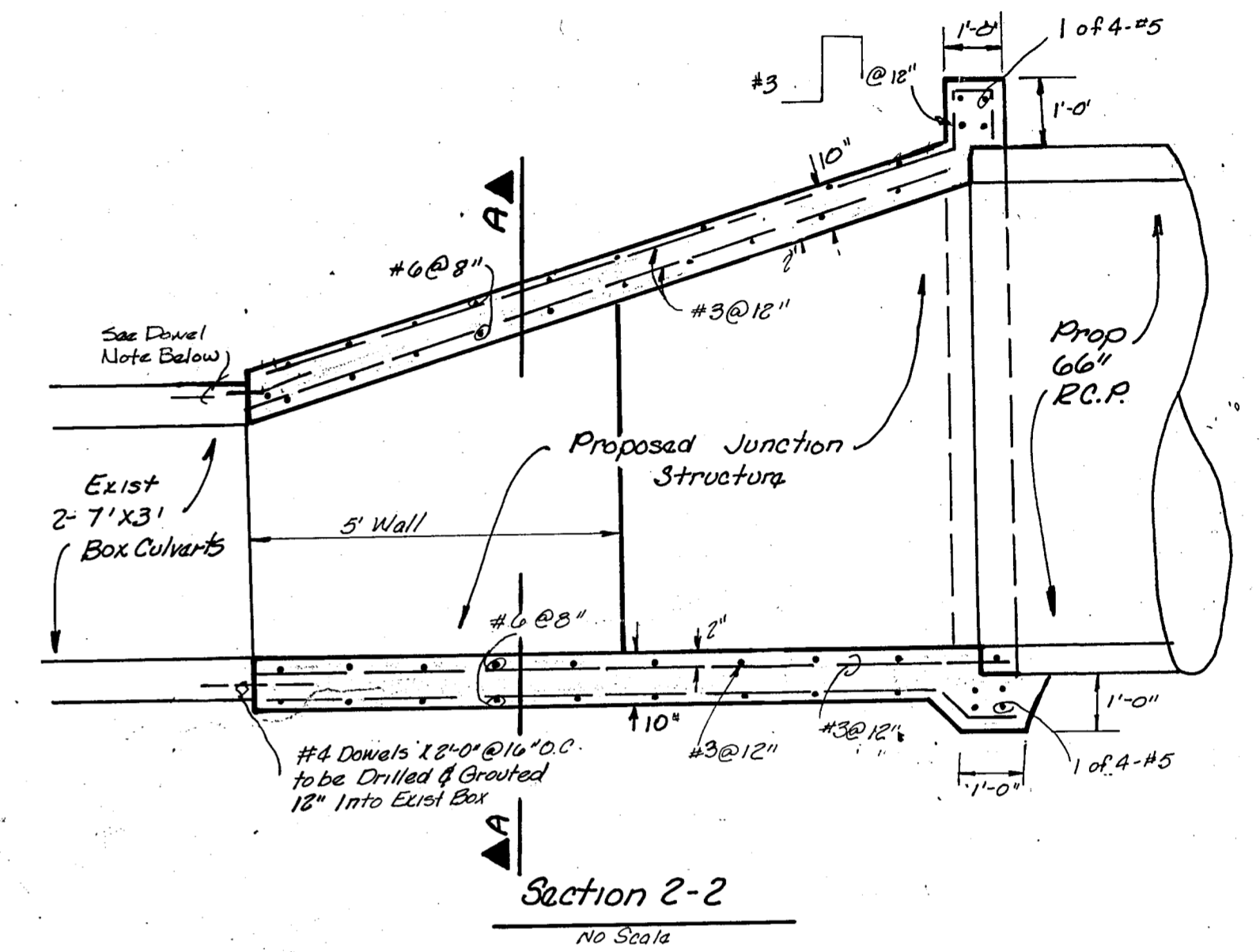
Alternate
2 - 10'x10' Box Culverts Design



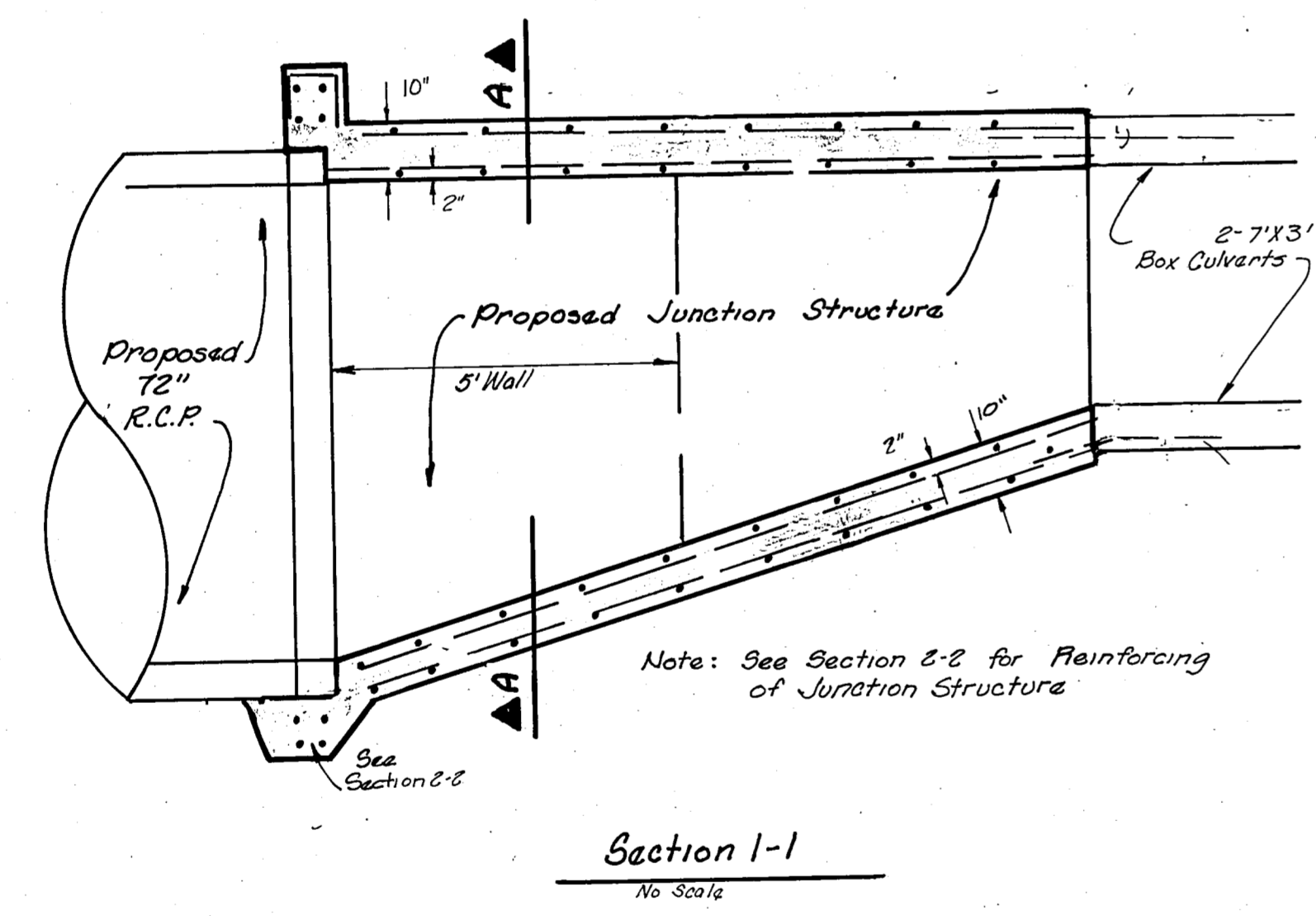
Plan B
Plan C - (Opposite Hand)



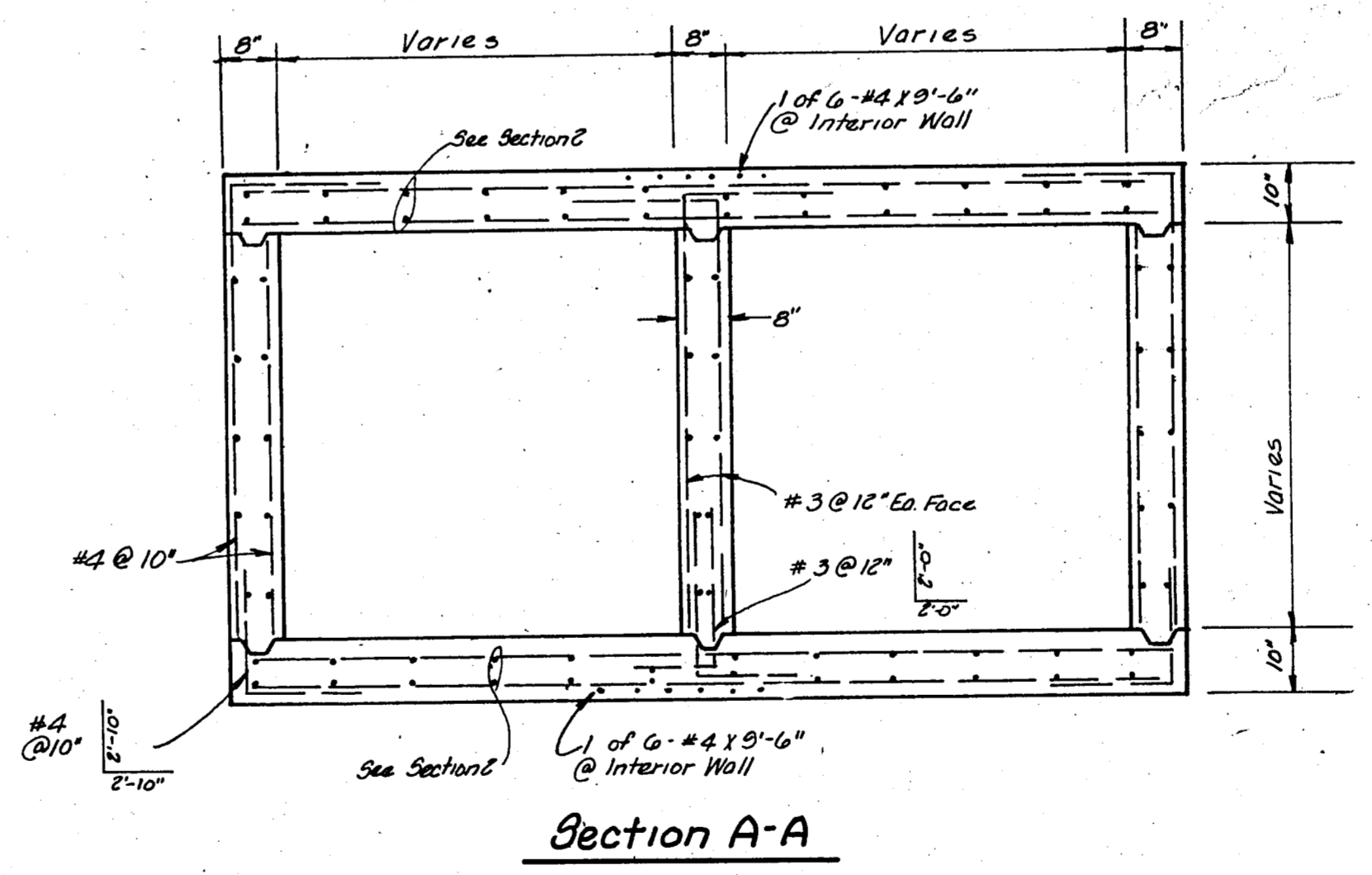
* FOR REFERENCE ONLY - To Be Used When Future Fill Exceeds 6'
Feet Min and 17' Max.
Reinforcement for Exist
Box Culvert
NOT IN THIS CONTRACT



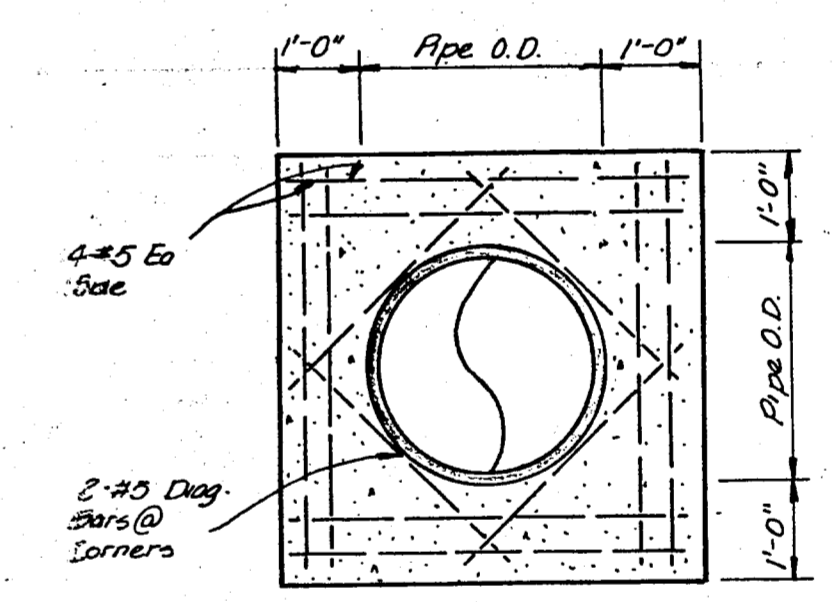
Section 2-2
No Scale



Section 1-1
No Scale

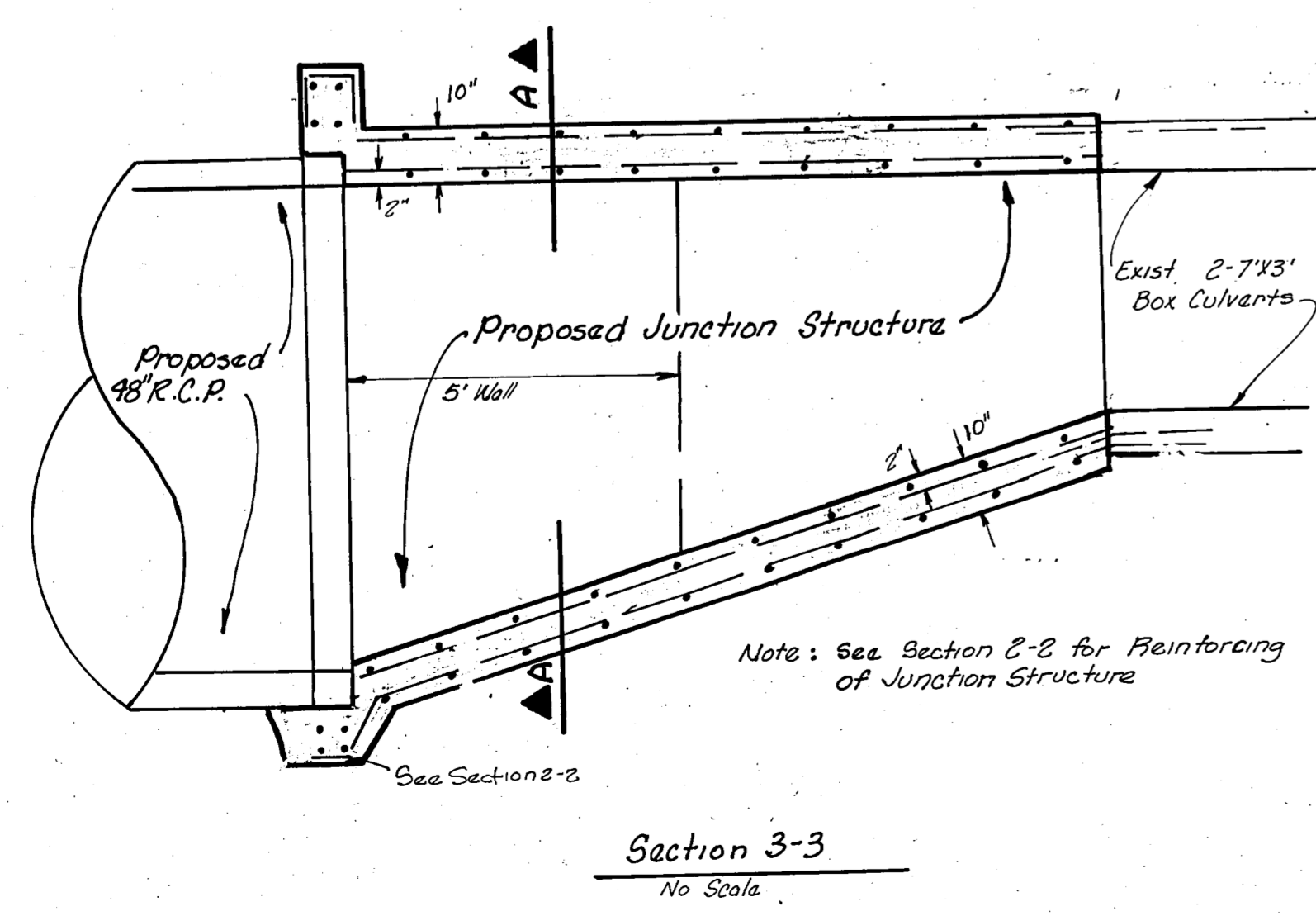


Section A-A



Reinforcing @ R.C.P. &
Junction Structure
Connection

AS BUILT
DATE 11/23/83



Section 3-3
No Scale

CONSTRUCTION SET
2/25/83

Accepted for Construction By: _____ Date: _____
Owner _____ Date: _____
Contractor _____ Date: _____

7/7

BOX CULVERTS DETAILS						
LES LACS PLAZA						
CITY OF ADDISON, TEXAS						
RAYMOND L. GOODSON JR. INC., ENGINEERS						
DESIGN	DRAWN	DATE	SCALE	NOTES	FILE	NO.
RLG INC.	RLG INC.	FEB. 1983		RLG INC.		