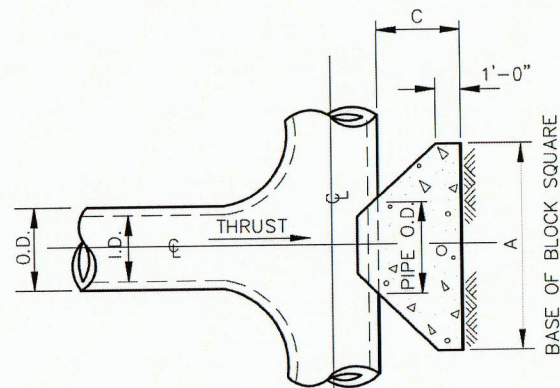


PLAN OF PLUG THRUST BLOCK



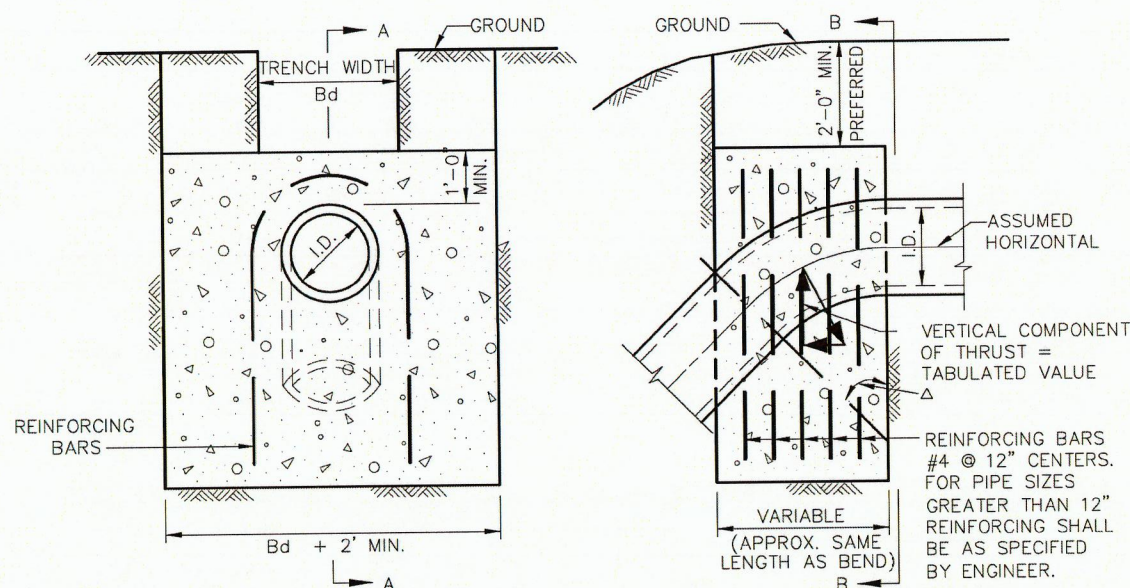
PLAN OF TEE THRUST BLOCK

I.D. (IN.)	THRUST (TONS)	C (FT.)	EARTH		ROCK	
			A (FT.)	VOL. (C.Y.)	A (FT.)	VOL. (C.Y.)
4,6,8	5.1	1.5	2.5	0.3	2.0	0.2
10,12	11.3	1.5	3.5	0.6	2.5	0.3
16,18	25.5	2.0	5.5	1.6	4.0	0.9
20	31.5	2.0	6.0	1.9	4.0	0.9
24	45.2	2.5	7.0	3.1	5.0	1.7
30	53.0	3.0	7.5	4.1	5.5	2.4
36	76.3	4.0	9.0	7.3	6.5	4.2
42	104.0	4.5	10.5	11.0	7.5	6.2
48	136.0	5.0	12.0	15.6	8.5	8.7

I.D. (IN.)	THRUST (TONS)	C (FT.)	EARTH		ROCK	
			A (FT.)	VOL. (C.Y.)	A (FT.)	VOL. (C.Y.)
54	172.0	5.5	13.5	21.4	9.5	11.9
60	212.0	6.0	15.0	28.4	10.5	15.7
66	257.0	6.5	16.5	36.8	11.5	20.5
72	305.0	7.5	17.5	47.2	12.5	27.2
78	358.0	8.0	19.0	58.9	13.5	33.7
84	416.0	8.5	20.5	72.3	14.5	41.2
90	477.0	9.0	22.0	87.7	15.5	49.7
96	543.0	9.5	23.5	104.8	16.5	61.0

TABLES OF DIMENSIONS AND QUANTITIES

 PUBLIC WORKS DEPARTMENT	HORIZONTAL THRUST BLOCK AT TEES & PLUGS	STANDARD CONSTRUCTION DETAILS WATER		
		DATE: AUGUST, 2010	REV DATE: -	SHEET : SD-W07



ELEVATION "B-B"

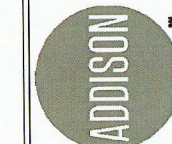
SECTION "A-A"

Δ	11.25°		22.50°		30°		45°		67.50°		90°		Δ
I.D. (IN.)	THRUST (TONS)	VOL. (C.Y.)	THRUST (TONS)	VOL. (C.Y.)	THRUST (TONS)	VOL. (C.Y.)	THRUST (TONS)	VOL. (C.Y.)	THRUST (TONS)	VOL. (C.Y.)	THRUST (TONS)	VOL. (C.Y.)	I.D. (IN.)
4,6,8	1.0	0.5	2.0	1.0	2.5	1.3	3.6	1.8	4.6	2.3	5.0	2.5	4,6,8
10,12	2.2	1.1	4.3	2.2	5.7	2.8	8.0	4.0	10.5	5.2	11.3	5.7	10,12
16,18	5.0	2.5	9.7	4.9	12.7	6.4	18.0	9.0	23.5	11.8	25.5	12.7	16,18
20	6.1	3.1	12.0	6.0	15.7	7.9	22.2	11.1	29.2	14.5	31.4	15.7	20
24	8.2	4.4	17.3	8.7	22.6	11.3	32.0	16.0	41.8	20.9	45.2	22.6	24
30	10.5	5.2	20.3	10.1	26.5	13.3	37.5	18.8	49.0	24.5	53.1	26.5	30
36	14.9	7.5	29.2	14.6	38.2	19.1	54.0	27.0	70.5	35.3	76.4	38.2	36
42	20.3	10.1	39.8	19.9	52.0	26.0	73.5	36.7	96.0	48.0	104.0	52.0	42
48	26.5	13.2	51.9	26.0	67.9	33.9	96.0	48.0	126.0	62.7	136.0	67.9	48
54	33.5	16.8	65.7	32.9	85.9	42.9	122.0	60.7	159.0	79.4	172.0	85.9	54
60	41.4	20.7	81.2	40.6	106.0	53.0	150.0	75.0	196.0	98.0	212.0	106.0	60
66	50.1	25.0	98.2	49.1	128.0	64.2	182.0	90.7	237.0	119.0	257.0	128.0	66
72	59.6	29.8	117.0	58.4	153.0	76.3	216.0	108.0	282.0	141.0	305.0	153.0	72
78	69.9	35.0	137.0	68.6	179.0	90.0	254.0	127.0	331.0	166.0	358.0	179.0	78
84	81.1	40.5	159.0	79.5	208.0	104.0	294.0	147.0	384.0	192.0	416.0	208.0	84
90	93.1	46.5	183.0	91.3	239.0	119.0	337.0	169.0	441.0	221.0	477.0	239.0	90
96	106.0	53.0	208.0	104.0	272.0	136.0	384.0	192.0	502.0	251.0	543.0	272.0	96

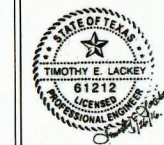
VERTICAL THRUST BLOCK

 PUBLIC WORKS DEPARTMENT	VERTICAL THRUST BLOCK AT PIPE BEND	STANDARD CONSTRUCTION DETAILS WATER		
		DATE: AUGUST, 2010	REV DATE: -	SHEET : SD-W08

LES LACS POND
WATER WELL TRANSFER PIPING
SYSTEM IMPROVEMENTS
TOWN OF ADDISON
DALLAS COUNTY, TEXAS



No.	Date	Description



The seal appearing on this document was authorized by Timothy E. Lackey, PE #61212 on 01-26-16. Alteration of a sealed document without proper notification to the responsible engineer is an offense under the Texas Engineering Practice Act. The record copy of this drawing is on file at the office of Halff Associates, Inc. 12225 Greenville Avenue, Suite 200, Dallas, Texas 75243. TSPC Form #P-012.

Project No.: 29751-WA16
Issued: 1/26/2016
Drawn By: HALFF
Checked By: HALFF
Scale: AS SHOWN
Sheet Title: MISCELLANEOUS DETAILS
C9.04
Sheet Number