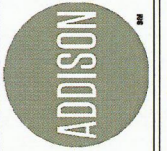
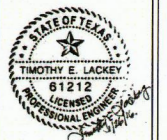


LES LACS POND  
WATER WELL TRANSFER PIPING  
SYSTEM IMPROVEMENTS  
TOWN OF ADDISON  
DALLAS COUNTY, TEXAS

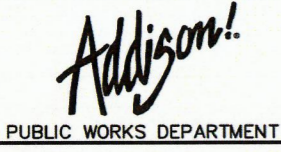
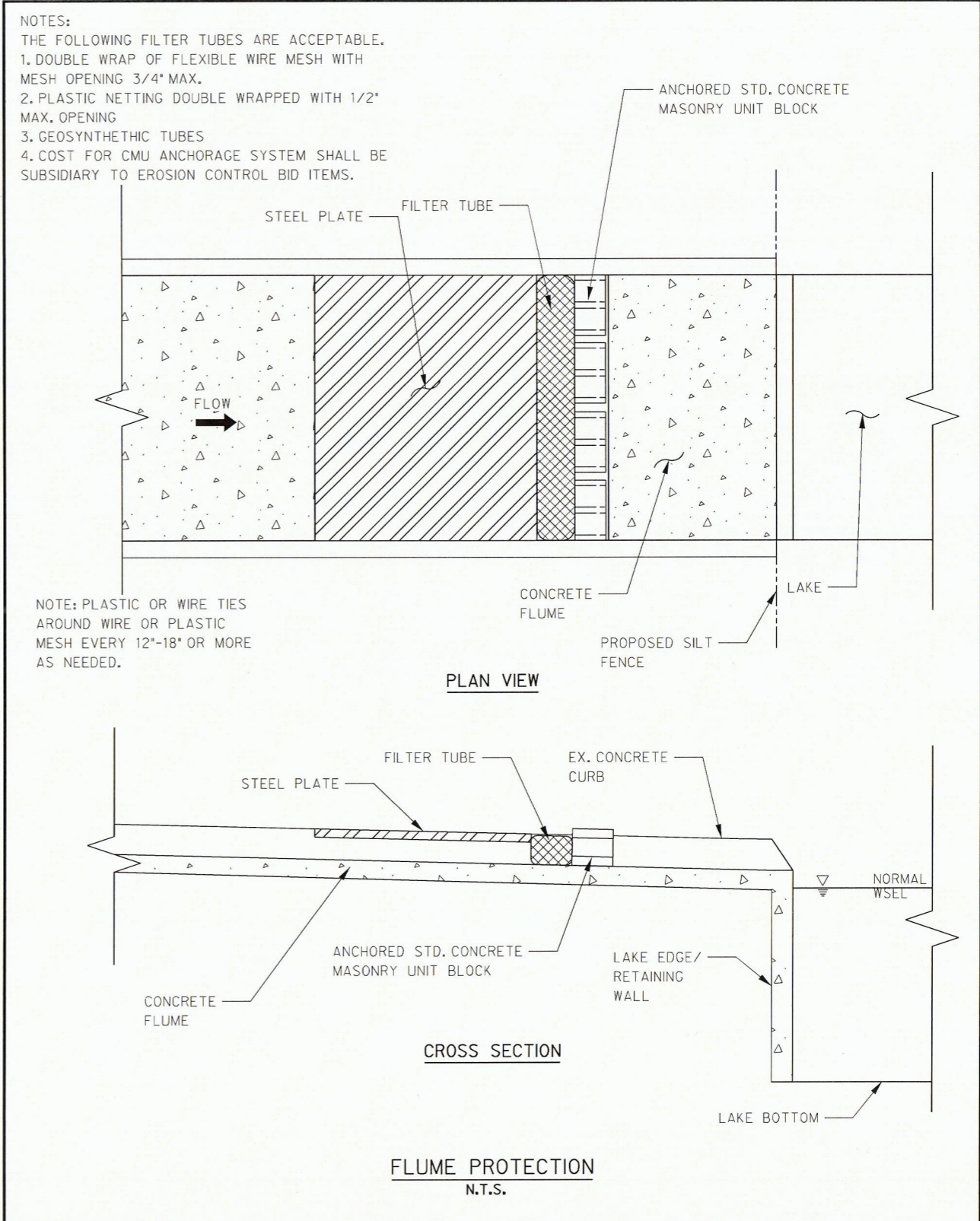
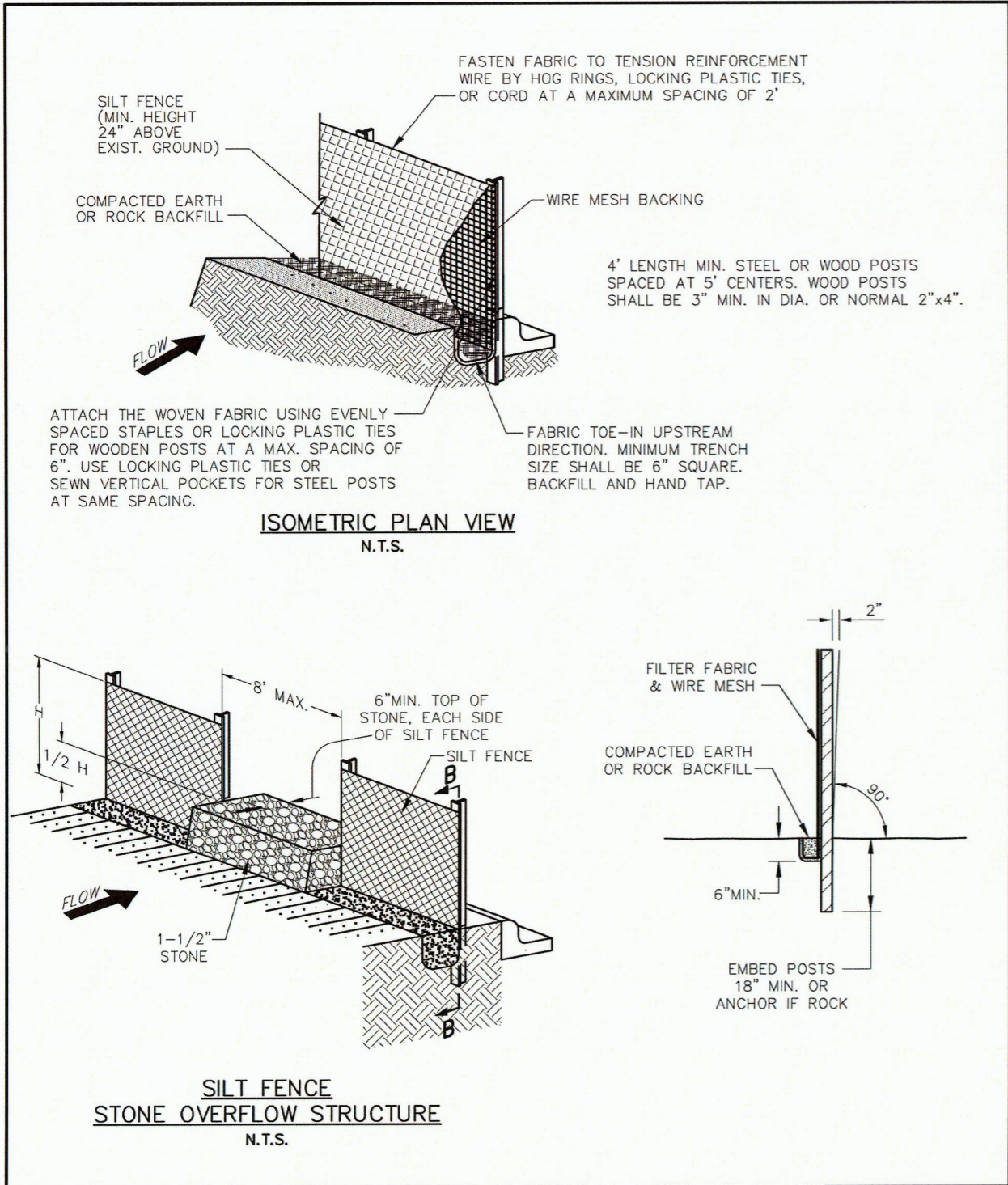


Revision No.	Date	Description



The seal appearing on this document was authorized by Timothy E. Lackey, PE #61212 on 01-26-18. Alteration of a sealed document without proper notification to the responsible engineer is an offense under the Texas Engineering Practice Act. The record copy of this drawing is on file at the office of Halff Associates, Inc. 3225 Greenville Avenue, Suite 250, Dallas, Texas 75245. TPEP Form #312.

Project No.:	29751 - VA15
Issued:	1/28/2016
Drawn By:	HALFF
Checked By:	HALFF
Scale:	AS SHOWN
Sheet Title:	EROSION CONTROL DETAILS
Sheet Number:	C2.02



SILT FENCE DETAIL

STANDARD CONSTRUCTION DETAILS  
EROSION CONTROL

DATE: AUGUST, 2010	REV DATE: -	SHEET : SD-EC02
-----------------------	----------------	--------------------