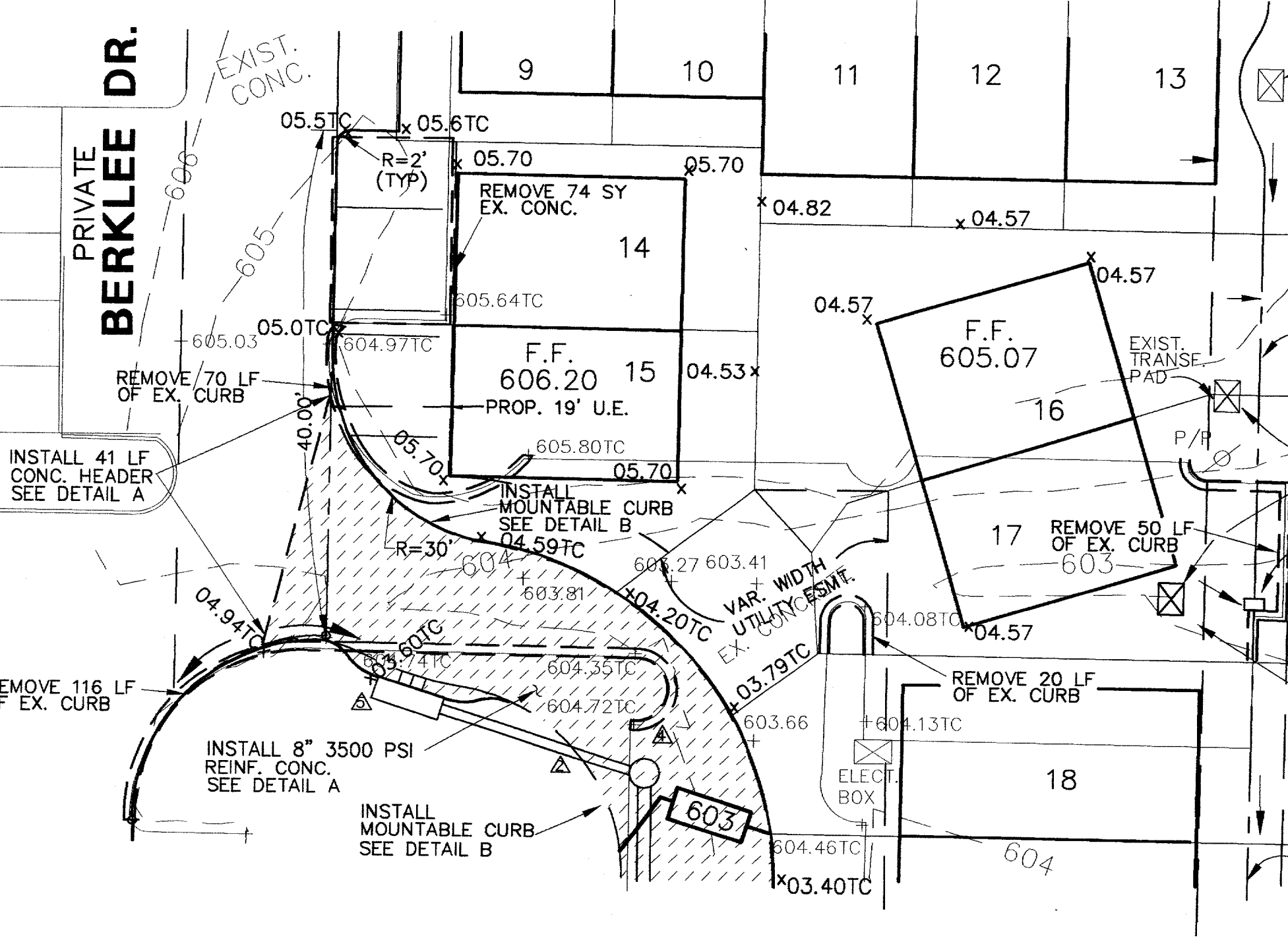
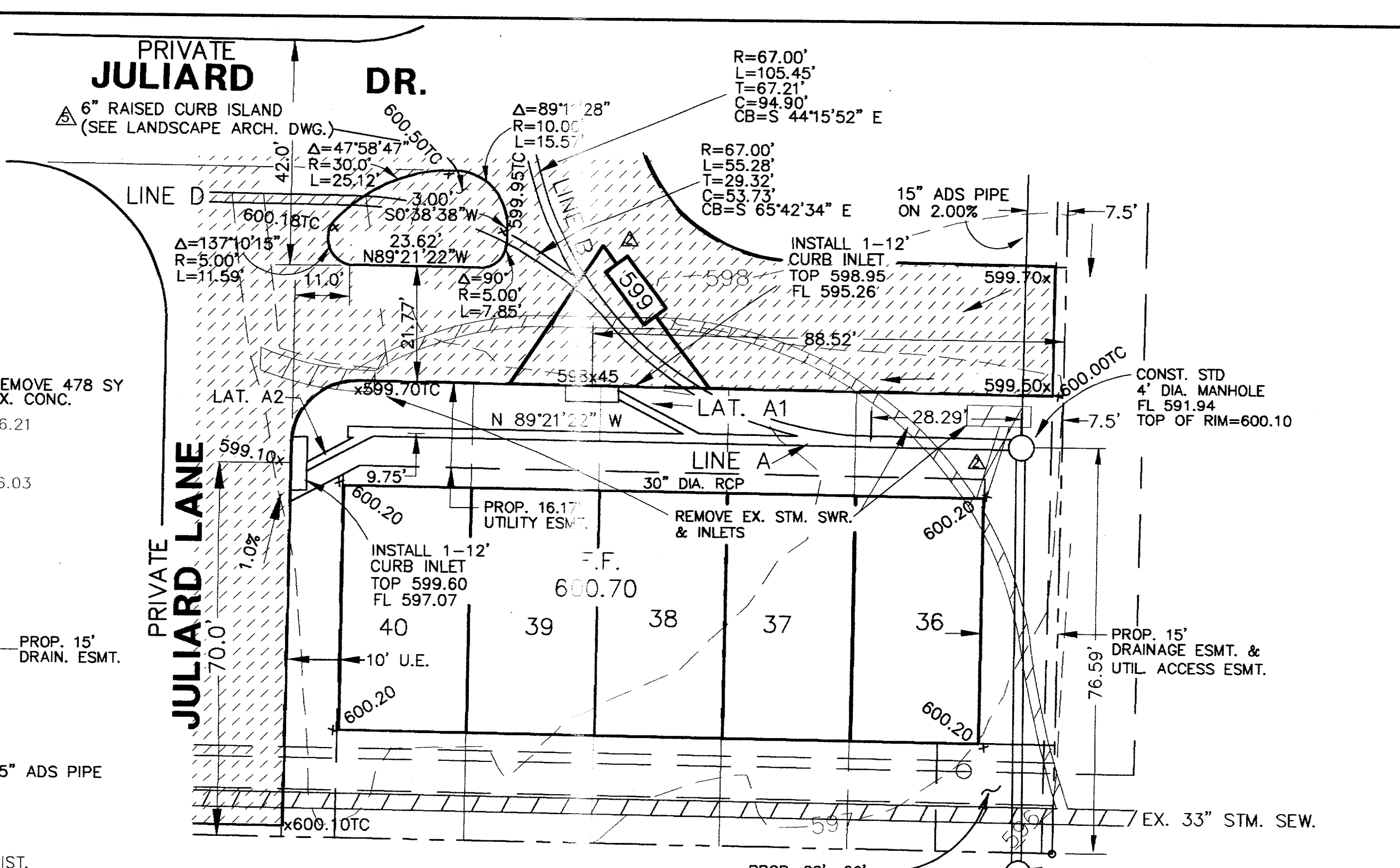


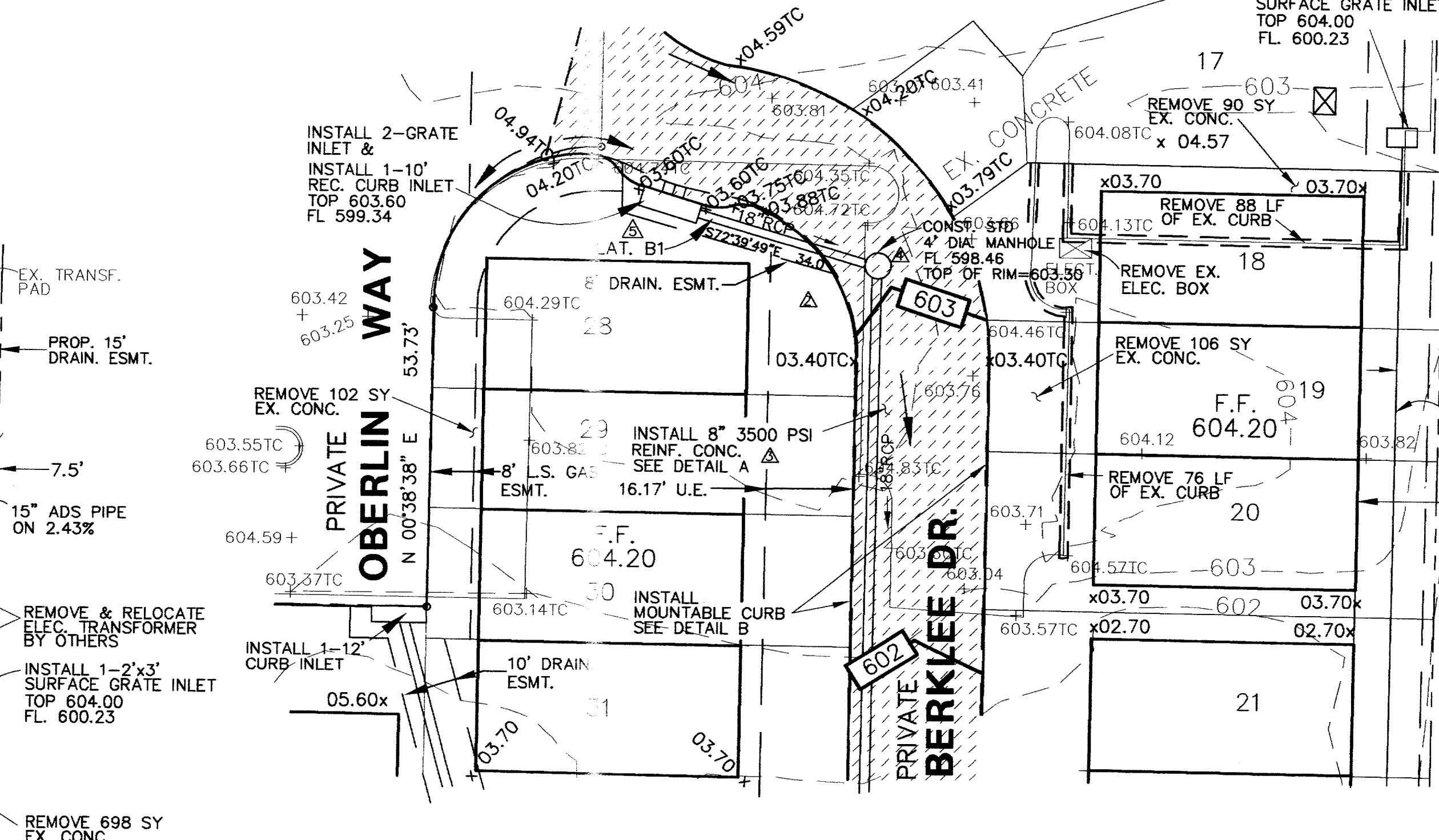
**VIEW B**  
SCALE: 1" = 20'



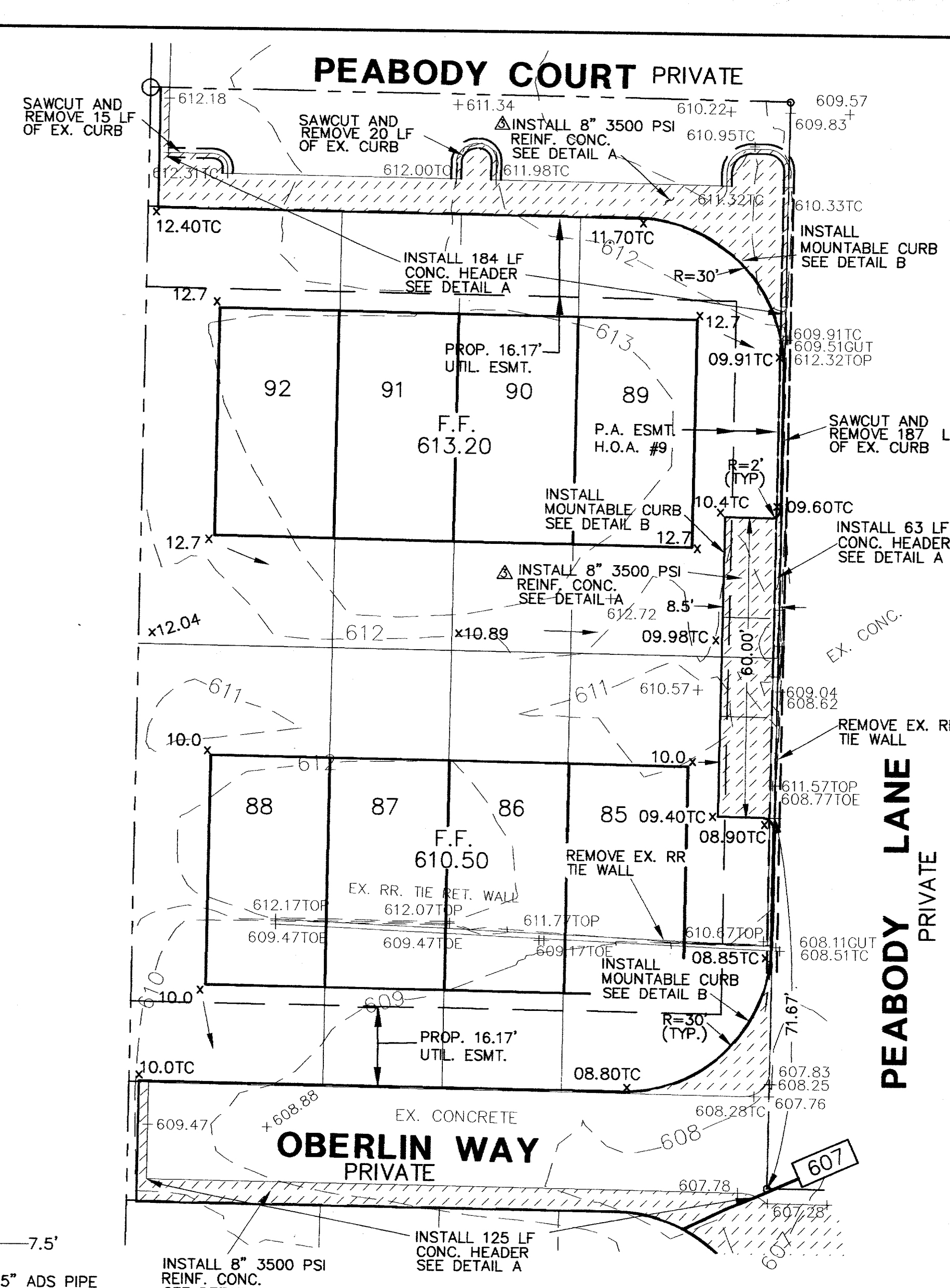
**VIEW C**  
SCALE: 1" = 20'



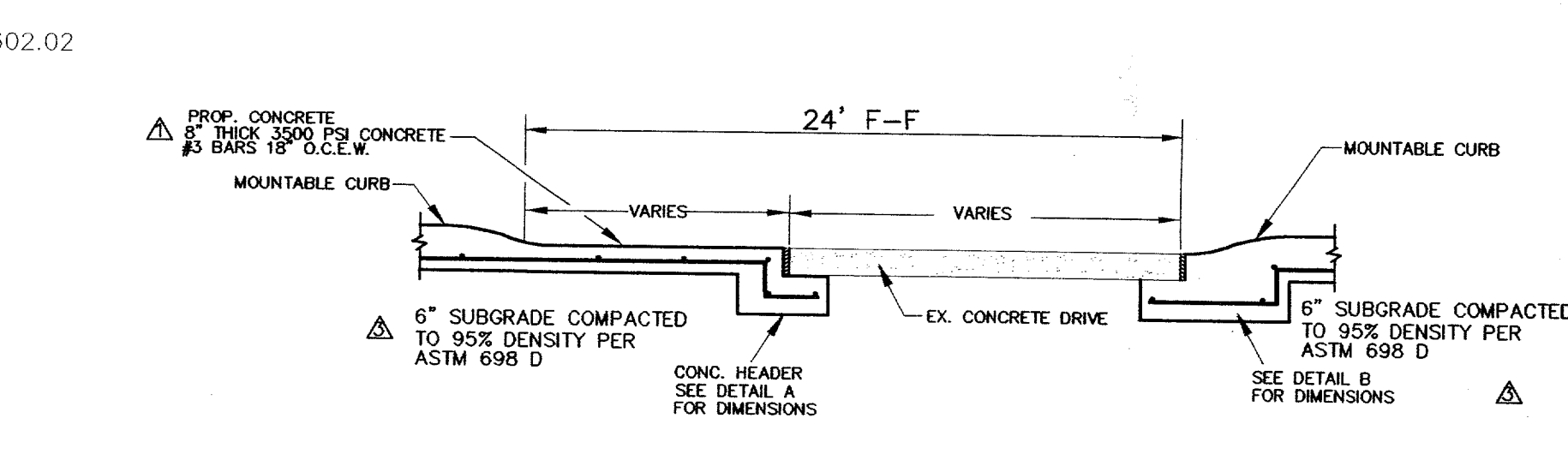
**VIEW E**  
SCALE: 1" = 20'



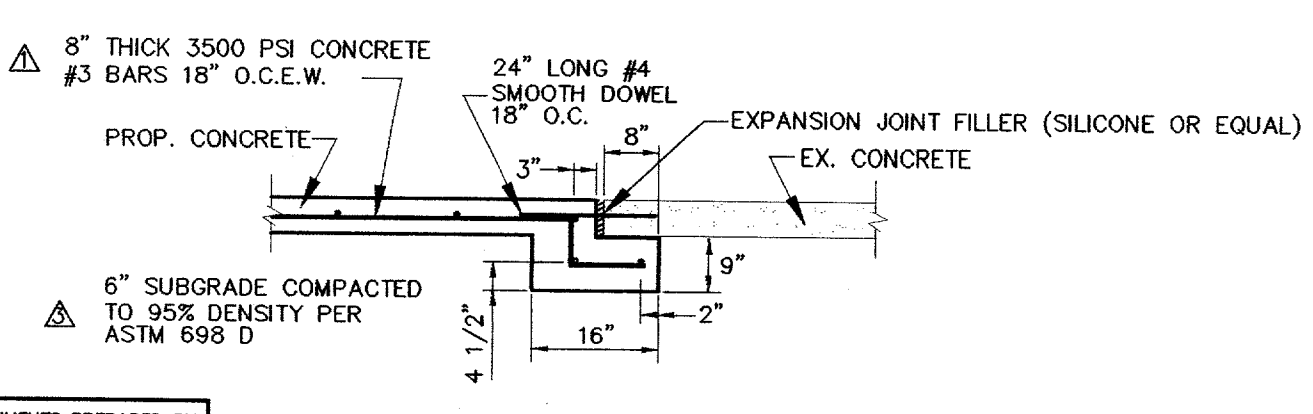
**VIEW F**  
SCALE: 1" = 20'



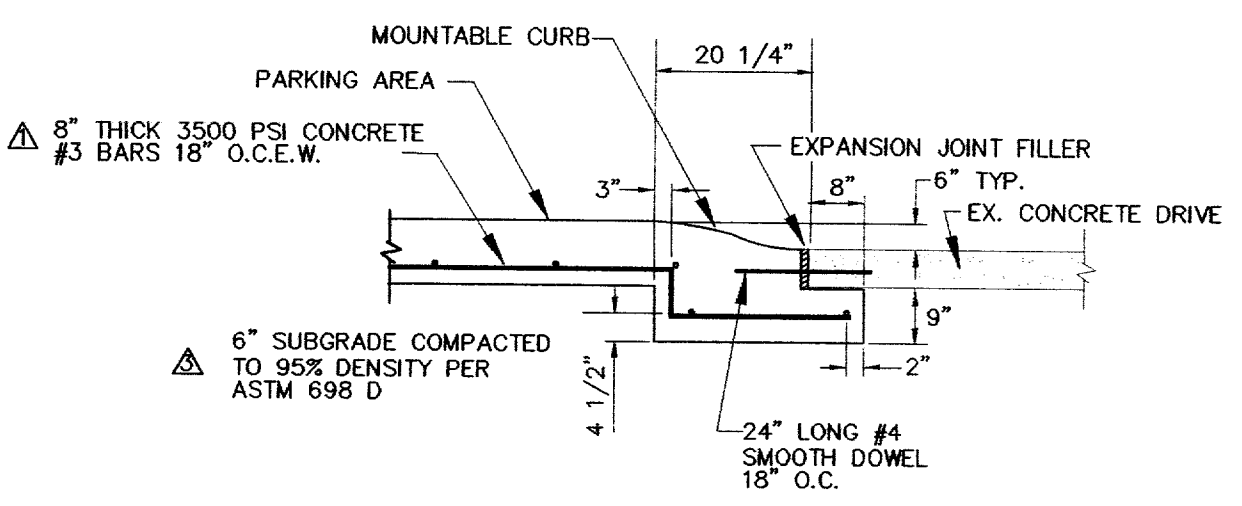
**VIEW D**  
SCALE: 1" = 20'



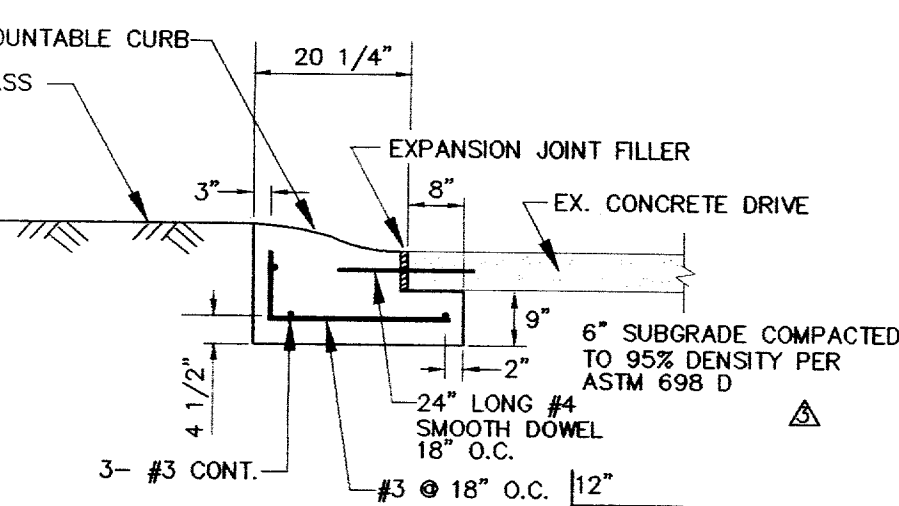
**DETAIL "C"**  
TYPICAL PAVING SECTION  
NO SCALE



**DETAIL "A"**  
PAVEMENT & CONC. HEADER  
NO SCALE



**DETAIL "B"**  
MOUNTABLE CURB & GUTTER  
NO SCALE



**DETAIL "E"**  
MOUNTABLE CURB & GUTTER  
NO SCALE

**LEGEND**

▲ PROPOSED PAVEMENT  
INSTALL 8" 3500 PSI  
REINF. CONC.

THE DRAWING, SPECIFICATIONS, AND OTHER DOCUMENTS PREPARED BY COOK CONSULTANTS, INC. FOR THIS PROJECT ARE INSTRUMENTS OF PROFESSIONAL SERVICE, AND AS SUCH ARE RESERVED AND PROTECTED BY STATUTE. COOK CONSULTANTS, INC. AS AUTHOR RETAINS OWNERSHIP OF THE DOCUMENTS, INCLUDING THE COPYRIGHT. THE DRAWINGS AND OTHER DOCUMENTS MAY NOT BE REPRODUCED OR USED BY ANYONE FOR ANY REASON WITHOUT THE EXPRESS WRITTEN CONSENT OF COOK CONSULTANTS, INC.

THESE DRAWINGS ARE PROVIDED FOR "AS-BUILT" DRAWINGS BY OTHERS FOR THE CITY OF ADDISON

REV. NO.	PROJ. NO.	DESCRIPTION	DATE
▲		REV. LAT. B1, ADDED ISLAND	7/11/96
▲		REVISED PER CITY COMMENTS	5/21/96
▲		REVISED PER CITY COMMENTS	5/1/96
▲		REVISED STORM SEWER	4/25/96
▲		CHANGED PAVEMENT & SUBGRADE	2/21/96

DETAILS						
TOWN HOMES OF ADDISON						
DEPARTMENT OF PUBLIC WORKS						
TOWN OF ADDISON, TEXAS						
DESIGN	DRAWN	DATE	SCALE	NOTES	FILE	NO.
LD	SC	5/1/96	AS NOTED	CCI		

DATE: \_\_\_\_\_  
PROJECT NO. 81215-35