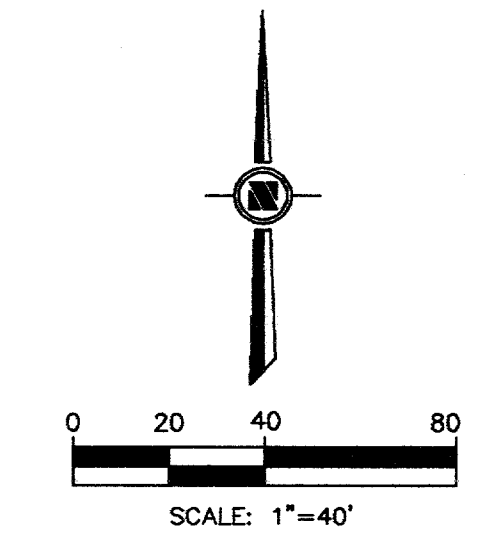


CAUTION !
EXISTING UTILITIES !
CONTRACTOR TO VERIFY
LOCATION OF EX. UTILITIES
PRIOR TO EXCAVATION

CURVE CHART

DELTA	RADIUS	ARC	TANGENT	CHORD	CHD BEARING
C1 45°24'32"	110.00'	87.18'	46.03	84.92	S 67°45'45" E
C2 45°24'32"	90.00'	71.33'	37.66	69.48	N 67°45'45" W



LEGEND

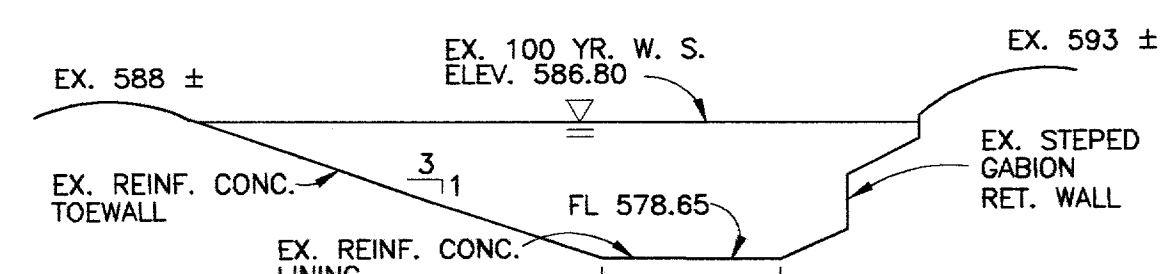
EXISTING CONTOUR ——— 630 ———

PROPOSED STORM SEWER ———

EXISTING SPOT ELEV. x 630.5

- NOTES:**
1. SODDING, REPAIR AND REPLACE IN ALL CONSTRUCTION AREAS.
 2. CONTRACTOR SHALL NOT REMOVE OR DAMAGE ANY EXISTING TREES WITHOUT PERMISSION FROM THE OWNER OR ENGINEER.
 3. STORM SEWER EMBEDMENT SHALL CONFORM TO THE TOWN OF ADDISON SPECIFICATIONS.
 4. ALL CONSTRUCTION SHALL CONFORM TO THE TOWN OF ADDISON SPECIFICATIONS.

BENCHMARK:
TOP OF OPERATING NUT ON FIRE HYDRANT,
433' WEST AND 15' SOUTH OF S.E. CORNER
OF PROPERTY.
ELEVATION 606.35



SECTION A - A
N.T.S.

CHANNEL CONDITIONS

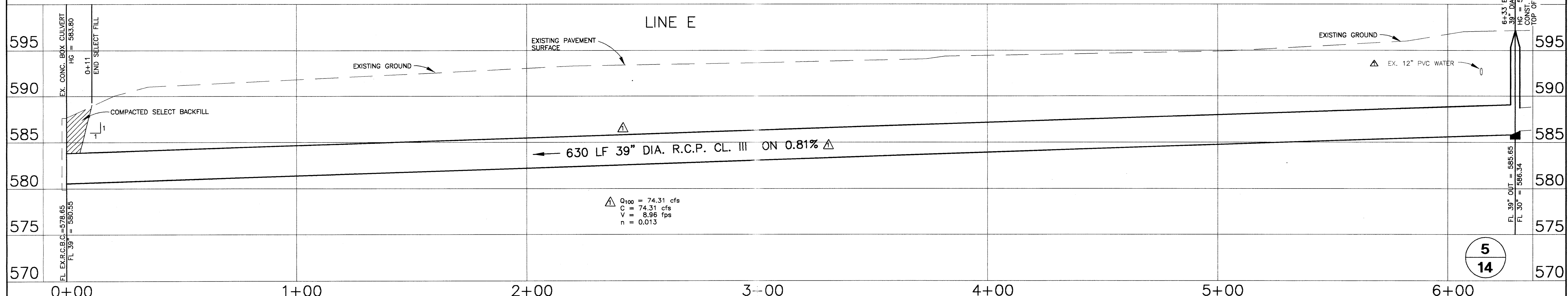
EXISTING:

Q₁₀₀ = 2150 cfs
Vel = 9.68
n = 0.022
100 Yr. W.S.E. = 586.80

PROPOSED:

Q₁₀₀ = 2215 cfs
Vel = 9.76
n = 0.022
100 Yr. W.S.E. = 586.90

CAUTION !
EXISTING UTILITIES !
CONTRACTOR TO VERIFY
LOCATION OF EX. UTILITIES
PRIOR TO EXCAVATION



SCALE: HORI. 1"=20'
VERT. 1"=5'

OFF-SITE STORM SEWER
TOWN HOMES OF ADDISON
DEPARTMENT OF PUBLIC WORKS
TOWN OF ADDISON, TEXAS

DESIGN	DRAWN	DATE	SCALE	NOTES	FILE	NO.
LD	SC	12/12/95	1"=40'	CCI		

DATE: _____
PROJECT NO. 81215-35

REV. NO.	PROJ. NO.	DESCRIPTION	DATE
▲		REVISED ALIGNMENT	7/30/96
▲		REVISED MH. FLOWLINE	7/11/96
▲		REVISED PER CITY COMMENTS	4/24/96

THESE DRAWINGS ARE PROVIDED FOR "AS-BUILT" DRAWINGS BY OTHERS FOR THE CITY OF ADDISON