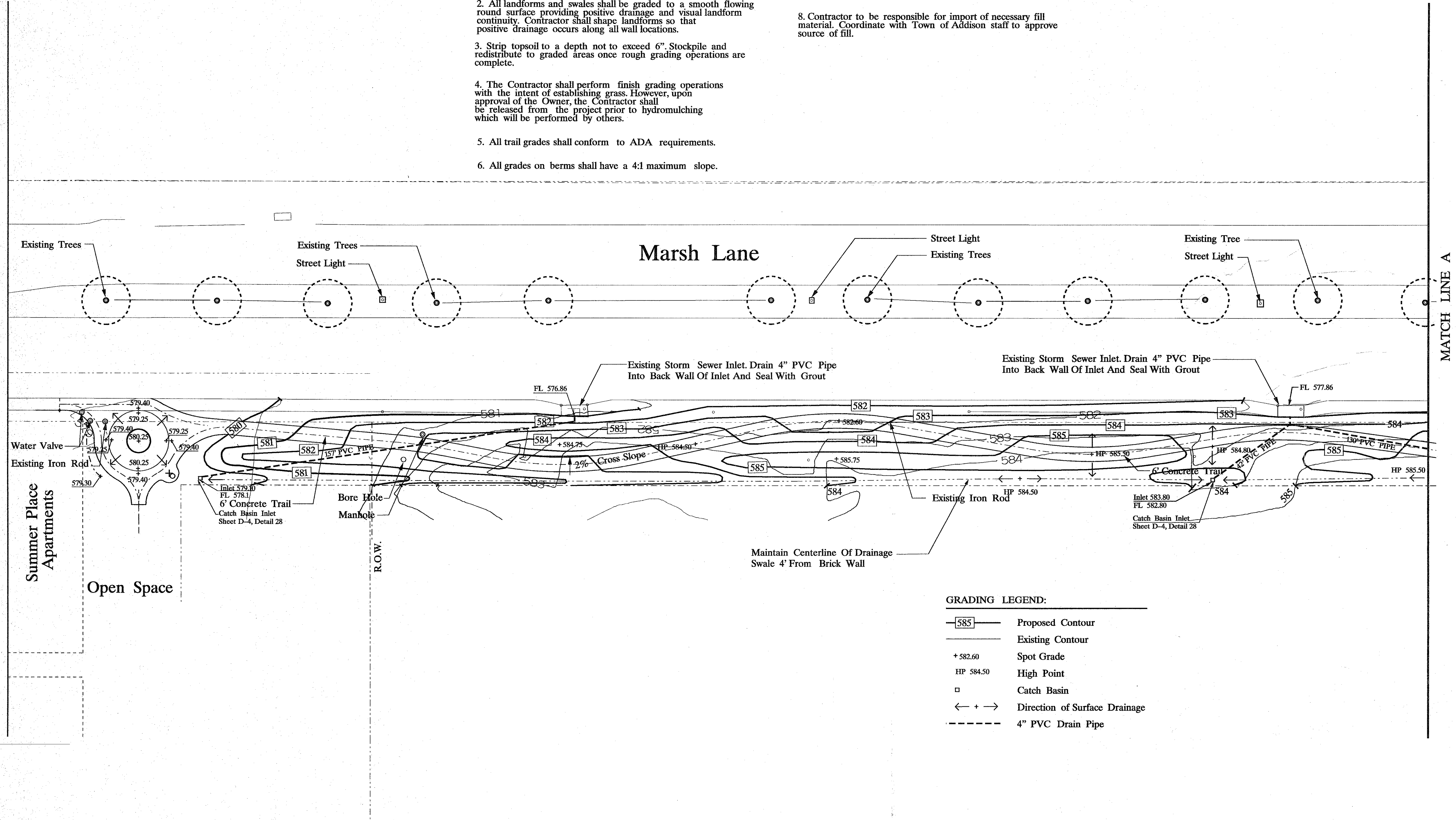


GRADING NOTES:

1. Prior to beginning work, verify location of control points, temporary benchmark elevations and accuracy of existing grades. Advise Owner and Landscape Architect of any discrepancies prior to beginning work.
2. All landforms and swales shall be graded to a smooth flowing round surface providing positive drainage and visual landform continuity. Contractor shall shape landforms so that positive drainage occurs along all wall locations.
3. Strip topsoil to a depth not to exceed 6". Stockpile and redistribute to graded areas once rough grading operations are complete.
4. The Contractor shall perform finish grading operations with the intent of establishing grass. However, upon approval of the Owner, the Contractor shall be released from the project prior to hydromulching which will be performed by others.
5. All trail grades shall conform to ADA requirements.
6. All grades on berms shall have a 4:1 maximum slope.

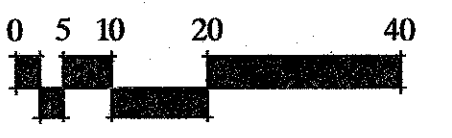
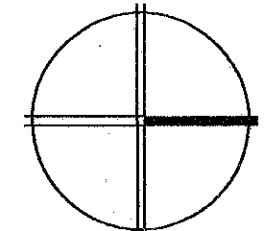
7. During grading operations the contractor shall be responsible for removal and disposal of all existing irrigation pipe in areas to be disturbed. Coordinate removal with Town of Addison so that valuable existing irrigation elements may be preserved by the Town.

8. Contractor to be responsible for import of necessary fill material. Coordinate with Town of Addison staff to approve source of fill.



GRADING LEGEND:

- 585 — Proposed Contour
- — Existing Contour
- + 582.60 Spot Grade
- HP 584.50 High Point
- Catch Basin
- ← + → Direction of Surface Drainage
- - - - - 4" PVC Drain Pipe



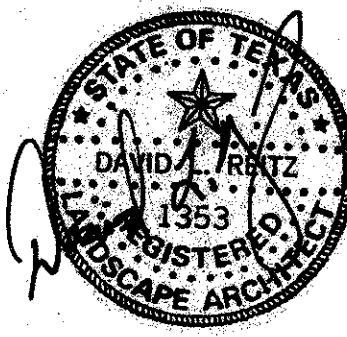
Grading Plan Area One

MATCH LINE A

USER=ADAMS JOB=UNKNOWN PLOTTED Wed Aug 17 09:46:19 1994
 TBL=F:\PLAN\TBL\PLAN\PLAN.LACS.TBL SCAL=20,000000
 PRF=F:\PLAN\PLAN\PLAN\PLAN.PRF ROT=0,000000
 DGN=N:\LANDPLAN\93324001\2400P01.DGN ON=1-63
 218P-N\LANDPLAN\93324001\2400P01.DGN - LDC=LAD - DM=HRS
 118PM-N\LANDPLAN\93324001\2400P01.DGN - LDC=LAD - DM=HRS
 118PM-N\LANDPLAN\93324001\2400P01.DGN - LDC=LAD - DM=HRS
 118PM-N\LANDPLAN\93324001\2400P01.DGN - LDC=LAD - DM=HRS

LES LACS LINEAR PARK
 TOWN OF ADDISON PARKS & LEISURE SERVICES DEPARTMENT 16801 WESTGROVE ROAD ADDISON, TEXAS 75001 214/450-2851
 7801 ELMBROOK DRIVE SUITE 500 DALLAS TEXAS 75247-4951
 (214) 635 0865 FAX (214) 635 0447
Carter & Burgess

REVISIONS	
JOB NUMBER	93324001D
DESIGNED	SJA
DRAWN	SJA
CHECKED	DJP/DLD
ISSUE DATE	August 18, 1994
SHEET NUMBER	C-11



LES LACS LINEAR PARK

TOWN OF ADDISON PARKS & LEISURE SERVICES DEPARTMENT 16801 WESTGROVE ROAD ADDISON, TEXAS 75001 214/450-2851

7800 ELARBROOK DRIVE SUITE 500 DALLAS, TEXAS 75247 - 691

Carter Burgess

REVISIONS

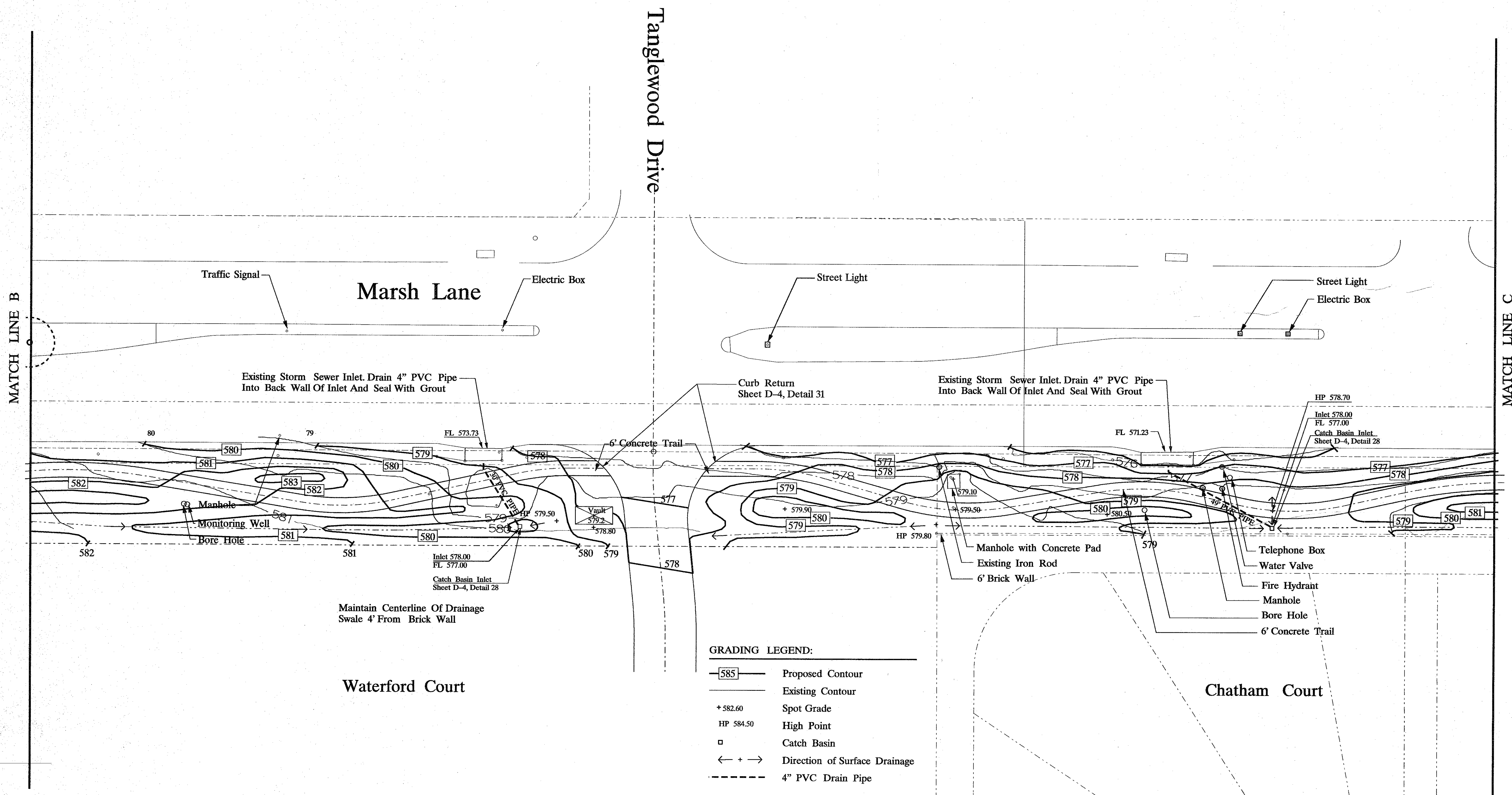
NO.	DATE	DESCRIPTION

JOB NUMBER
93324001D

DESIGNED **SLA**
DRAWN **SLA**
CHECKED **DLR/ADO**

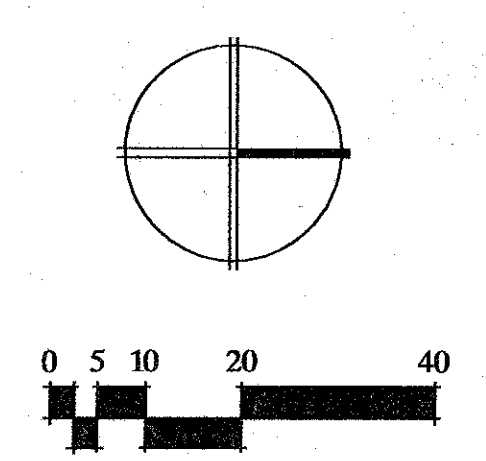
ISSUE DATE
August 18, 1994

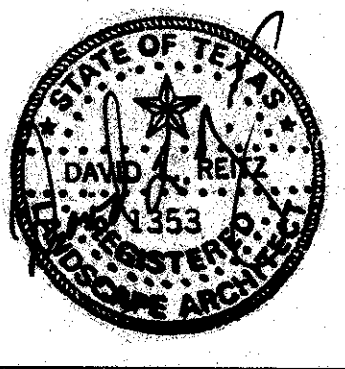
SHEET NUMBER
C-1.3



(1) 1994 LANDPLAN 93324001D 2400P003.DWG - LDC-HLA - 08-11-94
 (2) 1994 LANDPLAN 93324001D 2400P003.DWG - LDC-HLA - 08-11-94
 (3) 1994 LANDPLAN 93324001D 2400P003.DWG - LDC-HLA - 08-11-94
 (4) 1994 LANDPLAN 93324001D 2400P003.DWG - LDC-HLA - 08-11-94
 (5) 1994 LANDPLAN 93324001D 2400P003.DWG - LDC-HLA - 08-11-94
 (6) 1994 LANDPLAN 93324001D 2400P003.DWG - LDC-HLA - 08-11-94
 (7) 1994 LANDPLAN 93324001D 2400P003.DWG - LDC-HLA - 08-11-94
 (8) 1994 LANDPLAN 93324001D 2400P003.DWG - LDC-HLA - 08-11-94
 (9) 1994 LANDPLAN 93324001D 2400P003.DWG - LDC-HLA - 08-11-94
 (10) 1994 LANDPLAN 93324001D 2400P003.DWG - LDC-HLA - 08-11-94
 (11) 1994 LANDPLAN 93324001D 2400P003.DWG - LDC-HLA - 08-11-94
 (12) 1994 LANDPLAN 93324001D 2400P003.DWG - LDC-HLA - 08-11-94
 (13) 1994 LANDPLAN 93324001D 2400P003.DWG - LDC-HLA - 08-11-94
 (14) 1994 LANDPLAN 93324001D 2400P003.DWG - LDC-HLA - 08-11-94
 (15) 1994 LANDPLAN 93324001D 2400P003.DWG - LDC-HLA - 08-11-94
 (16) 1994 LANDPLAN 93324001D 2400P003.DWG - LDC-HLA - 08-11-94
 (17) 1994 LANDPLAN 93324001D 2400P003.DWG - LDC-HLA - 08-11-94
 (18) 1994 LANDPLAN 93324001D 2400P003.DWG - LDC-HLA - 08-11-94
 (19) 1994 LANDPLAN 93324001D 2400P003.DWG - LDC-HLA - 08-11-94
 (20) 1994 LANDPLAN 93324001D 2400P003.DWG - LDC-HLA - 08-11-94
 (21) 1994 LANDPLAN 93324001D 2400P003.DWG - LDC-HLA - 08-11-94
 (22) 1994 LANDPLAN 93324001D 2400P003.DWG - LDC-HLA - 08-11-94
 (23) 1994 LANDPLAN 93324001D 2400P003.DWG - LDC-HLA - 08-11-94
 (24) 1994 LANDPLAN 93324001D 2400P003.DWG - LDC-HLA - 08-11-94
 (25) 1994 LANDPLAN 93324001D 2400P003.DWG - LDC-HLA - 08-11-94
 (26) 1994 LANDPLAN 93324001D 2400P003.DWG - LDC-HLA - 08-11-94
 (27) 1994 LANDPLAN 93324001D 2400P003.DWG - LDC-HLA - 08-11-94
 (28) 1994 LANDPLAN 93324001D 2400P003.DWG - LDC-HLA - 08-11-94
 (29) 1994 LANDPLAN 93324001D 2400P003.DWG - LDC-HLA - 08-11-94
 (30) 1994 LANDPLAN 93324001D 2400P003.DWG - LDC-HLA - 08-11-94
 (31) 1994 LANDPLAN 93324001D 2400P003.DWG - LDC-HLA - 08-11-94
 (32) 1994 LANDPLAN 93324001D 2400P003.DWG - LDC-HLA - 08-11-94
 (33) 1994 LANDPLAN 93324001D 2400P003.DWG - LDC-HLA - 08-11-94
 (34) 1994 LANDPLAN 93324001D 2400P003.DWG - LDC-HLA - 08-11-94
 (35) 1994 LANDPLAN 93324001D 2400P003.DWG - LDC-HLA - 08-11-94
 (36) 1994 LANDPLAN 93324001D 2400P003.DWG - LDC-HLA - 08-11-94
 (37) 1994 LANDPLAN 93324001D 2400P003.DWG - LDC-HLA - 08-11-94
 (38) 1994 LANDPLAN 93324001D 2400P003.DWG - LDC-HLA - 08-11-94
 (39) 1994 LANDPLAN 93324001D 2400P003.DWG - LDC-HLA - 08-11-94
 (40) 1994 LANDPLAN 93324001D 2400P003.DWG - LDC-HLA - 08-11-94
 (41) 1994 LANDPLAN 93324001D 2400P003.DWG - LDC-HLA - 08-11-94
 (42) 1994 LANDPLAN 93324001D 2400P003.DWG - LDC-HLA - 08-11-94
 (43) 1994 LANDPLAN 93324001D 2400P003.DWG - LDC-HLA - 08-11-94
 (44) 1994 LANDPLAN 93324001D 2400P003.DWG - LDC-HLA - 08-11-94
 (45) 1994 LANDPLAN 93324001D 2400P003.DWG - LDC-HLA - 08-11-94
 (46) 1994 LANDPLAN 93324001D 2400P003.DWG - LDC-HLA - 08-11-94
 (47) 1994 LANDPLAN 93324001D 2400P003.DWG - LDC-HLA - 08-11-94
 (48) 1994 LANDPLAN 93324001D 2400P003.DWG - LDC-HLA - 08-11-94
 (49) 1994 LANDPLAN 93324001D 2400P003.DWG - LDC-HLA - 08-11-94
 (50) 1994 LANDPLAN 93324001D 2400P003.DWG - LDC-HLA - 08-11-94
 (51) 1994 LANDPLAN 93324001D 2400P003.DWG - LDC-HLA - 08-11-94
 (52) 1994 LANDPLAN 93324001D 2400P003.DWG - LDC-HLA - 08-11-94
 (53) 1994 LANDPLAN 93324001D 2400P003.DWG - LDC-HLA - 08-11-94
 (54) 1994 LANDPLAN 93324001D 2400P003.DWG - LDC-HLA - 08-11-94
 (55) 1994 LANDPLAN 93324001D 2400P003.DWG - LDC-HLA - 08-11-94
 (56) 1994 LANDPLAN 93324001D 2400P003.DWG - LDC-HLA - 08-11-94
 (57) 1994 LANDPLAN 93324001D 2400P003.DWG - LDC-HLA - 08-11-94
 (58) 1994 LANDPLAN 93324001D 2400P003.DWG - LDC-HLA - 08-11-94
 (59) 1994 LANDPLAN 93324001D 2400P003.DWG - LDC-HLA - 08-11-94
 (60) 1994 LANDPLAN 93324001D 2400P003.DWG - LDC-HLA - 08-11-94
 (61) 1994 LANDPLAN 93324001D 2400P003.DWG - LDC-HLA - 08-11-94
 (62) 1994 LANDPLAN 93324001D 2400P003.DWG - LDC-HLA - 08-11-94
 (63) 1994 LANDPLAN 93324001D 2400P003.DWG - LDC-HLA - 08-11-94
 (64) 1994 LANDPLAN 93324001D 2400P003.DWG - LDC-HLA - 08-11-94
 (65) 1994 LANDPLAN 93324001D 2400P003.DWG - LDC-HLA - 08-11-94
 (66) 1994 LANDPLAN 93324001D 2400P003.DWG - LDC-HLA - 08-11-94
 (67) 1994 LANDPLAN 93324001D 2400P003.DWG - LDC-HLA - 08-11-94
 (68) 1994 LANDPLAN 93324001D 2400P003.DWG - LDC-HLA - 08-11-94
 (69) 1994 LANDPLAN 93324001D 2400P003.DWG - LDC-HLA - 08-11-94
 (70) 1994 LANDPLAN 93324001D 2400P003.DWG - LDC-HLA - 08-11-94
 (71) 1994 LANDPLAN 93324001D 2400P003.DWG - LDC-HLA - 08-11-94
 (72) 1994 LANDPLAN 93324001D 2400P003.DWG - LDC-HLA - 08-11-94
 (73) 1994 LANDPLAN 93324001D 2400P003.DWG - LDC-HLA - 08-11-94
 (74) 1994 LANDPLAN 93324001D 2400P003.DWG - LDC-HLA - 08-11-94
 (75) 1994 LANDPLAN 93324001D 2400P003.DWG - LDC-HLA - 08-11-94
 (76) 1994 LANDPLAN 93324001D 2400P003.DWG - LDC-HLA - 08-11-94
 (77) 1994 LANDPLAN 93324001D 2400P003.DWG - LDC-HLA - 08-11-94
 (78) 1994 LANDPLAN 93324001D 2400P003.DWG - LDC-HLA - 08-11-94
 (79) 1994 LANDPLAN 93324001D 2400P003.DWG - LDC-HLA - 08-11-94
 (80) 1994 LANDPLAN 93324001D 2400P003.DWG - LDC-HLA - 08-11-94
 (81) 1994 LANDPLAN 93324001D 2400P003.DWG - LDC-HLA - 08-11-94
 (82) 1994 LANDPLAN 93324001D 2400P003.DWG - LDC-HLA - 08-11-94
 (83) 1994 LANDPLAN 93324001D 2400P003.DWG - LDC-HLA - 08-11-94
 (84) 1994 LANDPLAN 93324001D 2400P003.DWG - LDC-HLA - 08-11-94
 (85) 1994 LANDPLAN 93324001D 2400P003.DWG - LDC-HLA - 08-11-94
 (86) 1994 LANDPLAN 93324001D 2400P003.DWG - LDC-HLA - 08-11-94
 (87) 1994 LANDPLAN 93324001D 2400P003.DWG - LDC-HLA - 08-11-94
 (88) 1994 LANDPLAN 93324001D 2400P003.DWG - LDC-HLA - 08-11-94
 (89) 1994 LANDPLAN 93324001D 2400P003.DWG - LDC-HLA - 08-11-94
 (90) 1994 LANDPLAN 93324001D 2400P003.DWG - LDC-HLA - 08-11-94
 (91) 1994 LANDPLAN 93324001D 2400P003.DWG - LDC-HLA - 08-11-94
 (92) 1994 LANDPLAN 93324001D 2400P003.DWG - LDC-HLA - 08-11-94
 (93) 1994 LANDPLAN 93324001D 2400P003.DWG - LDC-HLA - 08-11-94
 (94) 1994 LANDPLAN 93324001D 2400P003.DWG - LDC-HLA - 08-11-94
 (95) 1994 LANDPLAN 93324001D 2400P003.DWG - LDC-HLA - 08-11-94
 (96) 1994 LANDPLAN 93324001D 2400P003.DWG - LDC-HLA - 08-11-94
 (97) 1994 LANDPLAN 93324001D 2400P003.DWG - LDC-HLA - 08-11-94
 (98) 1994 LANDPLAN 93324001D 2400P003.DWG - LDC-HLA - 08-11-94
 (99) 1994 LANDPLAN 93324001D 2400P003.DWG - LDC-HLA - 08-11-94
 (100) 1994 LANDPLAN 93324001D 2400P003.DWG - LDC-HLA - 08-11-94

Grading Plan Area Three

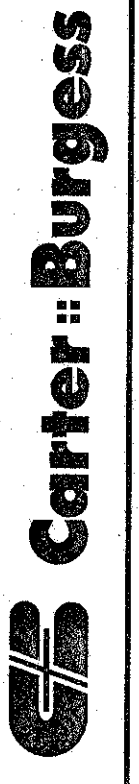




LES LACS LINEAR PARK

TOWN OF ADDISON PARKS & LEISURE SERVICES DEPARTMENT 16801 WESTGROVE ROAD ADDISON, TEXAS 75001 214 450-2851

780 ELMBROOK DRIVE SUITE 200 DALLAS, TEXAS 75247 - 465
(214) 638 0445 FAX (214) 638 0447



REVISIONS	

JOB NUMBER	93324001D
DESIGNED	SLA
DRAWN	SLA
CHECKED	DLR / LBO
ISSUE DATE	August 18, 1994
SHEET NUMBER	C-14

Gardenbrook Drive

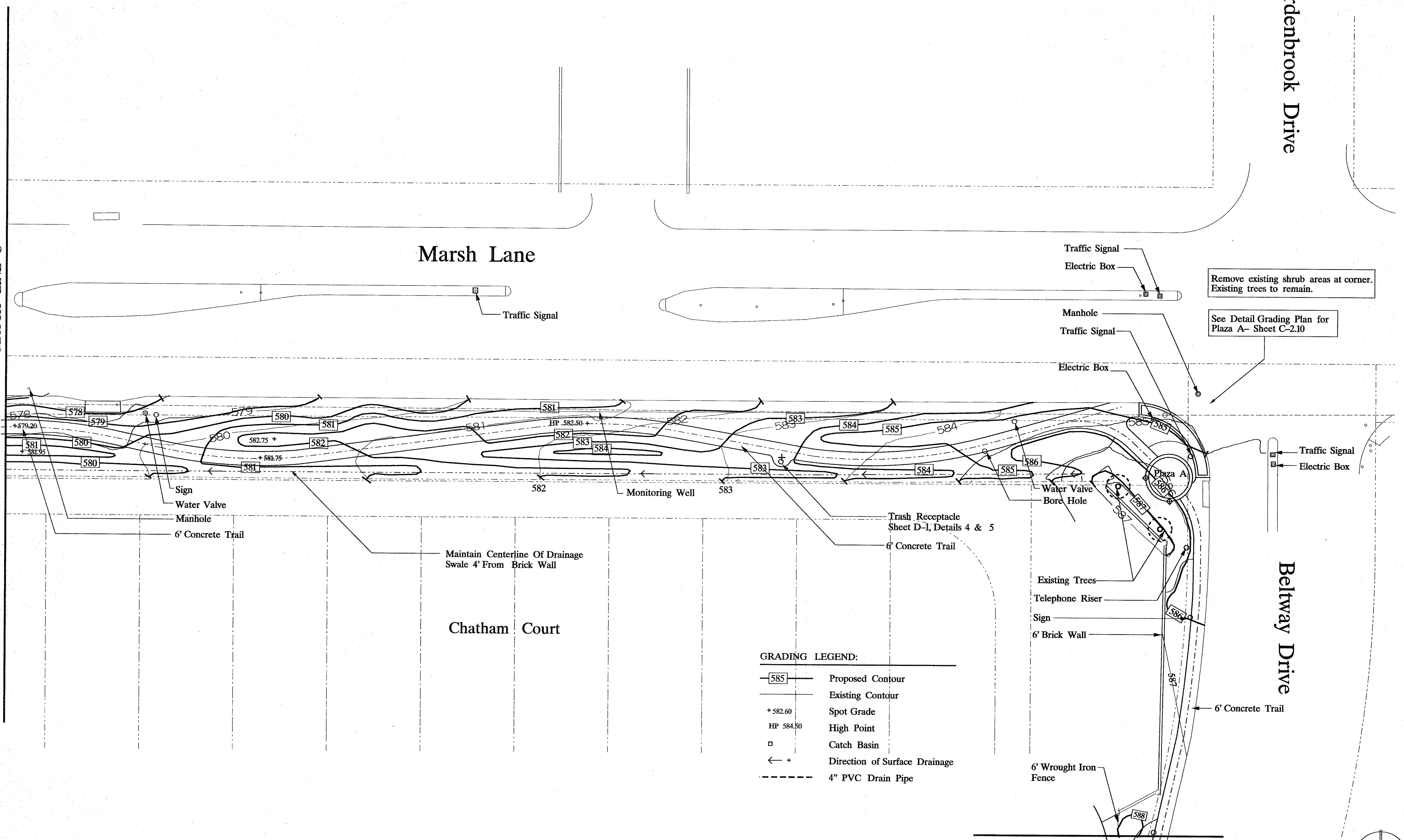
Beltway Drive

Marsh Lane

Chatham Court

MATCH LINE C

MATCH LINE D

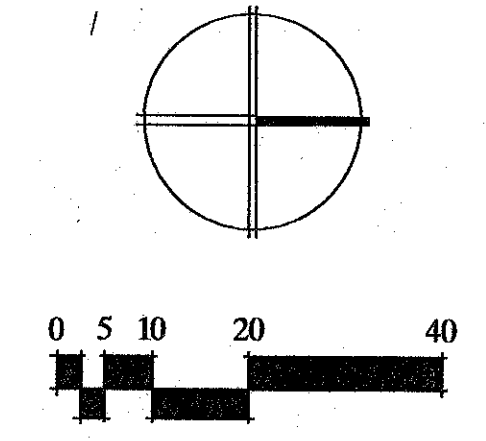


Remove existing shrub areas at corner. Existing trees to remain.

See Detail Grading Plan for Plaza A- Sheet C-2.10

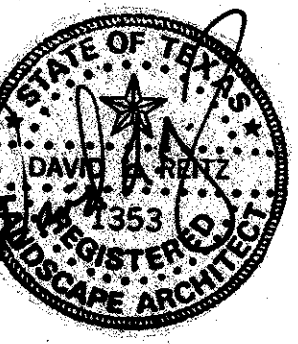
GRADING LEGEND:

— 585 —	Proposed Contour
- - - - -	Existing Contour
+ 582.60	Spot Grade
HP 584.50	High Point
□	Catch Basin
← +	Direction of Surface Drainage
- - - - -	4" PVC Drain Pipe



Grading Plan Area Four

(7) TYPICAL LANDPLAN 93324001D 2406P004.MXD - LDCM-CP1 - 08/11/94
 (6) TYPICAL LANDPLAN 93324001D 2406P004.MXD - LDCM-CP1 - 08/11/94
 (5) TYPICAL LANDPLAN 93324001D 2406P004.MXD - LDCM-CP1 - 08/11/94
 (4) TYPICAL LANDPLAN 93324001D 2406P004.MXD - LDCM-CP1 - 08/11/94
 (3) TYPICAL LANDPLAN 93324001D 2406P004.MXD - LDCM-CP1 - 08/11/94
 (2) TYPICAL LANDPLAN 93324001D 2406P004.MXD - LDCM-CP1 - 08/11/94
 (1) TYPICAL LANDPLAN 93324001D 2406P004.MXD - LDCM-CP1 - 08/11/94
 DGN: M-LANDPLAN 93324001D 2406P004.DGN - 08/11/94
 PLOT: M-LANDPLAN 93324001D 2406P004.PLT - 08/11/94
 USER: ADAMS JOB: UNKNOWN PLOTTED: Wed Aug 17 09:52:22 1994



LES LACS LINEAR PARK

TOWN OF ADDISON PARKS & LEISURE SERVICES DEPARTMENT 16801 WESTGROVE ROAD ADDISON, TEXAS 75001 214 /450-2851



780 ELMBROOK DRIVE SUITE 500 DALLAS, TEXAS 75247 - 495
(214) 638 1646 FAX (214) 638 1647

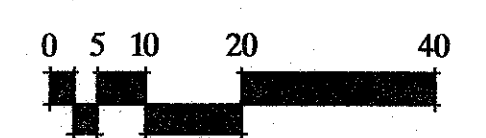
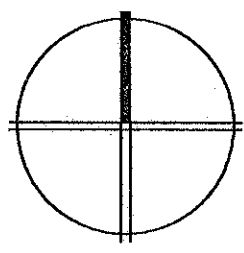
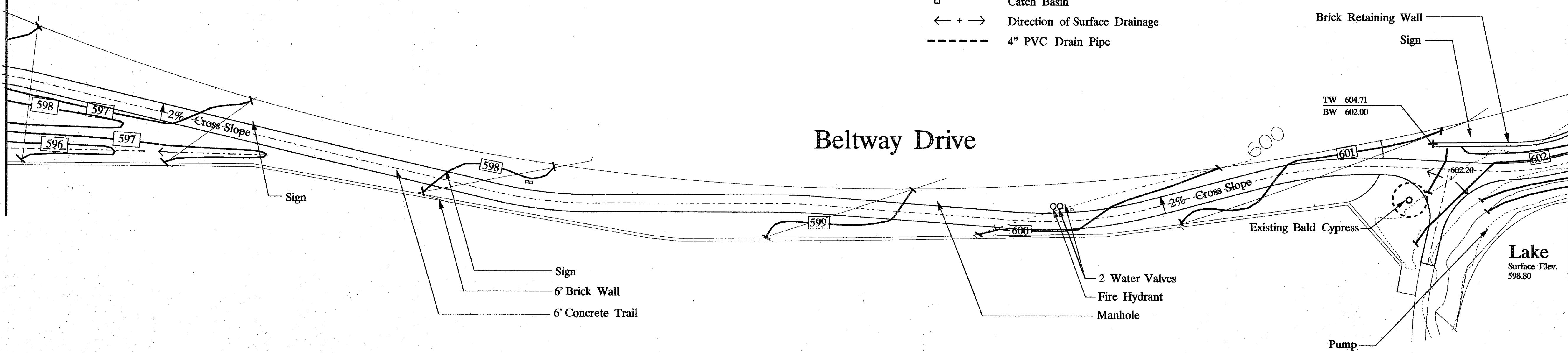
REVISIONS
JOB NUMBER 93324001D
DESIGNED <u>SLA</u> DRAWN <u>SLA</u> CHECKED <u>DLR/LEO</u>
ISSUE DATE August 18, 1994
SHEET NUMBER C-1.6

MATCH LINE E

MATCH LINE F

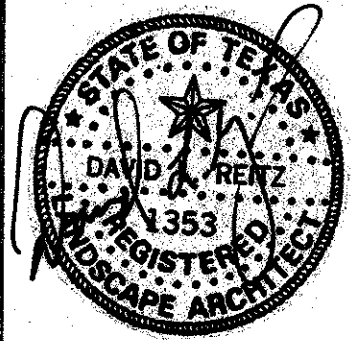
GRADING LEGEND:

- Proposed Contour
- Existing Contour
- Spot Grade
- High Point
- Catch Basin
- Direction of Surface Drainage
- 4" PVC Drain Pipe

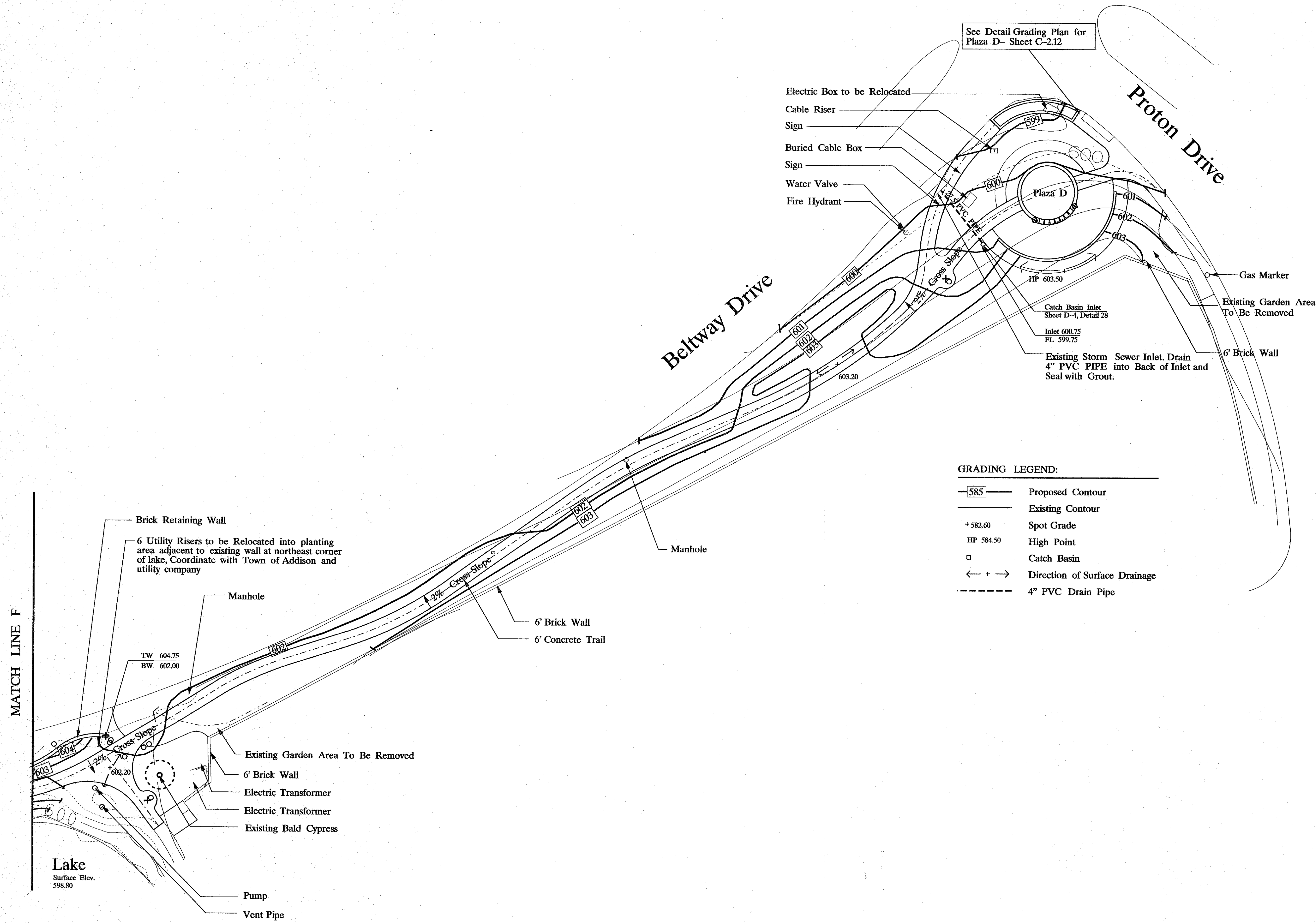


Grading Plan Area Six

(7)RFP-N\LANDPLAN\93324001\2400P06.MXD - LOGO (P) - ON=1-83
(1)RFP-N\LANDPLAN\93324001\TOP02.DGN - LOGO (T) - ON=1-83
(1)RFP-N\LANDPLAN\93324001\2400P06.DGN - ON=1-83
DGN-N\LANDPLAN\93324001\2400P06.DGN - ON=1-83
PRF-F\N\8770A\2400P06.PRF - ROT=0, 0.00000 - SCALE=20.000100
TBL-F\F\T-TBL\LP-LACS.TBL - USER=ADAMS JOB=UNKNOWN PLOTTED Wed Aug 17 09:56:14 1994

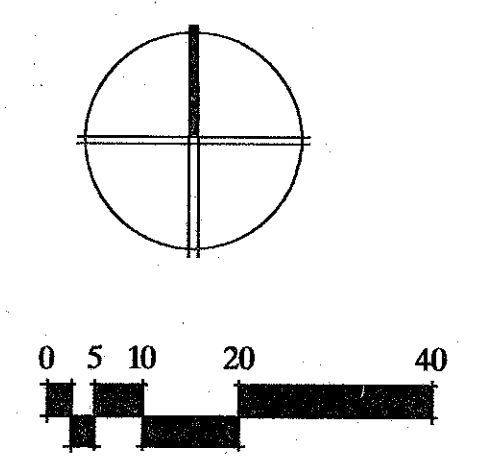


(1) 13533 DALLAS TEXAS 75247 - 4951 (2) 636 045 FAX (214) 636 0447
 TBL-F-A-PL-1-TBL-PL-LACS-TBL USER:ADAMS PLOTTED Wed Aug 17 09:58:00 1994
 13533 DALLAS TEXAS 75247 - 4951 (2) 636 045 FAX (214) 636 0447
 TBL-F-A-PL-1-TBL-PL-LACS-TBL USER:ADAMS PLOTTED Wed Aug 17 09:58:00 1994
 13533 DALLAS TEXAS 75247 - 4951 (2) 636 045 FAX (214) 636 0447



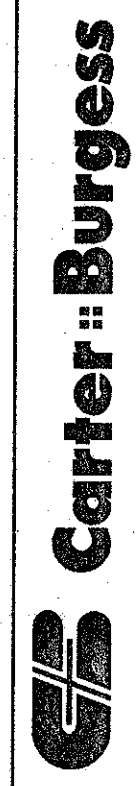
GRADING LEGEND:

— 585 —	Proposed Contour
- - - -	Existing Contour
+ 582.60	Spot Grade
HP 584.50	High Point
□	Catch Basin
← + →	Direction of Surface Drainage
- - - -	4" PVC Drain Pipe



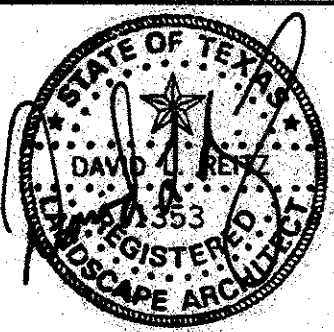
LES LACS LINEAR PARK

TOWN OF ADDISON PARKS & LEISURE SERVICES DEPARTMENT 16801 WESTGROVE ROAD ADDISON, TEXAS 75001 214 450-2851



REVISIONS	
JOB NUMBER	93324001D
DESIGNED	SLA
DRAWN	SLA
CHECKED	DLR/LEO
ISSUE DATE	August 18, 1994
SHEET NUMBER	C-1.7

Grading Plan Area Seven



LES LACS LINEAR PARK

TOWN OF ADDISON PARKS & LEISURE SERVICES DEPARTMENT 16801 WESTGROVE ROAD ADDISON, TEXAS 75001 214 / 450-2851



790 BELMOROCK DRIVE SUITE 250 DALLAS, TEXAS 75207-4061
(214) 538-0105 FAX (214) 538-0447

REVISIONS

JOB NUMBER
93324001D

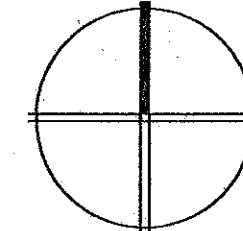
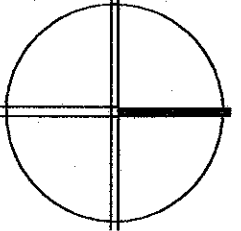
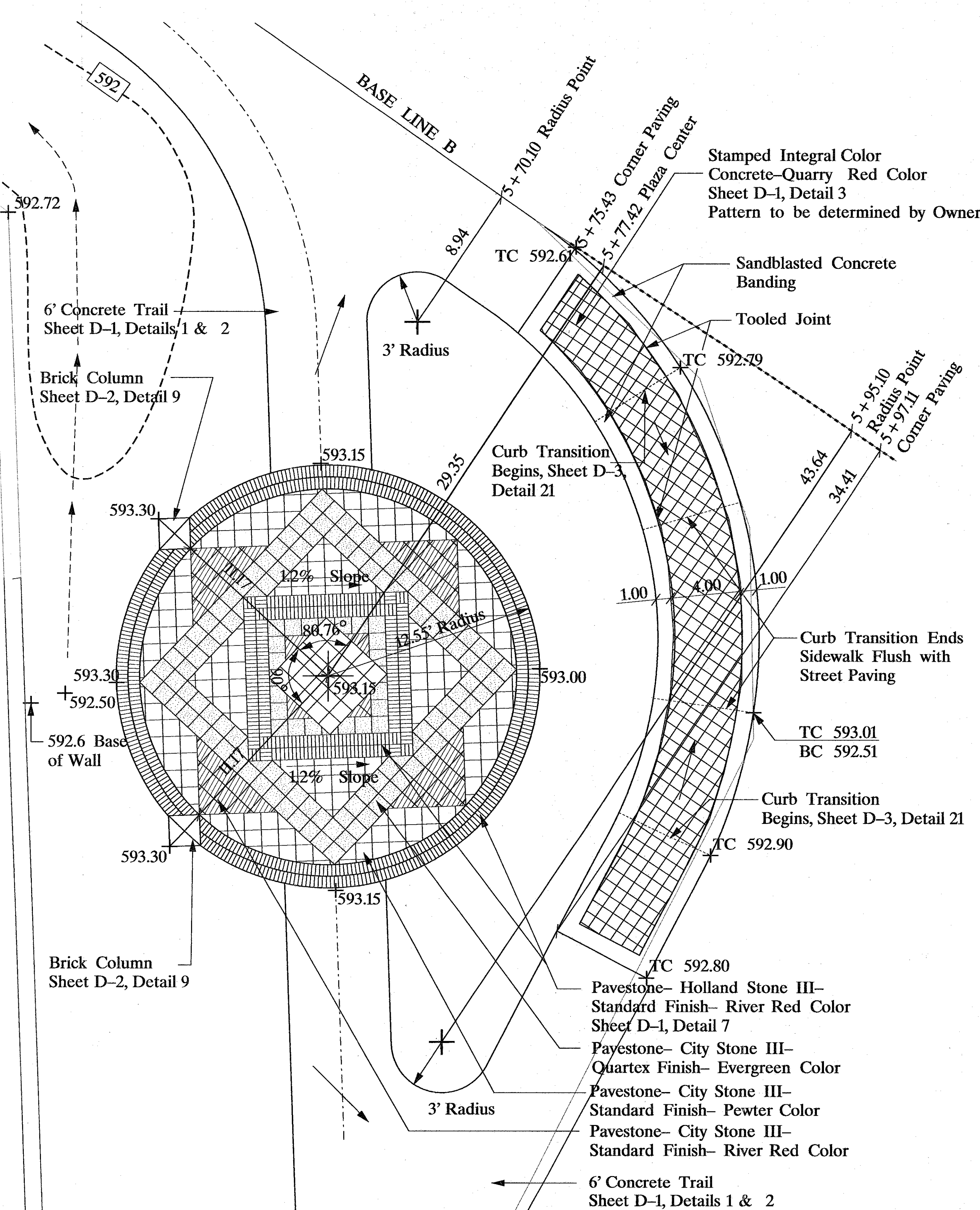
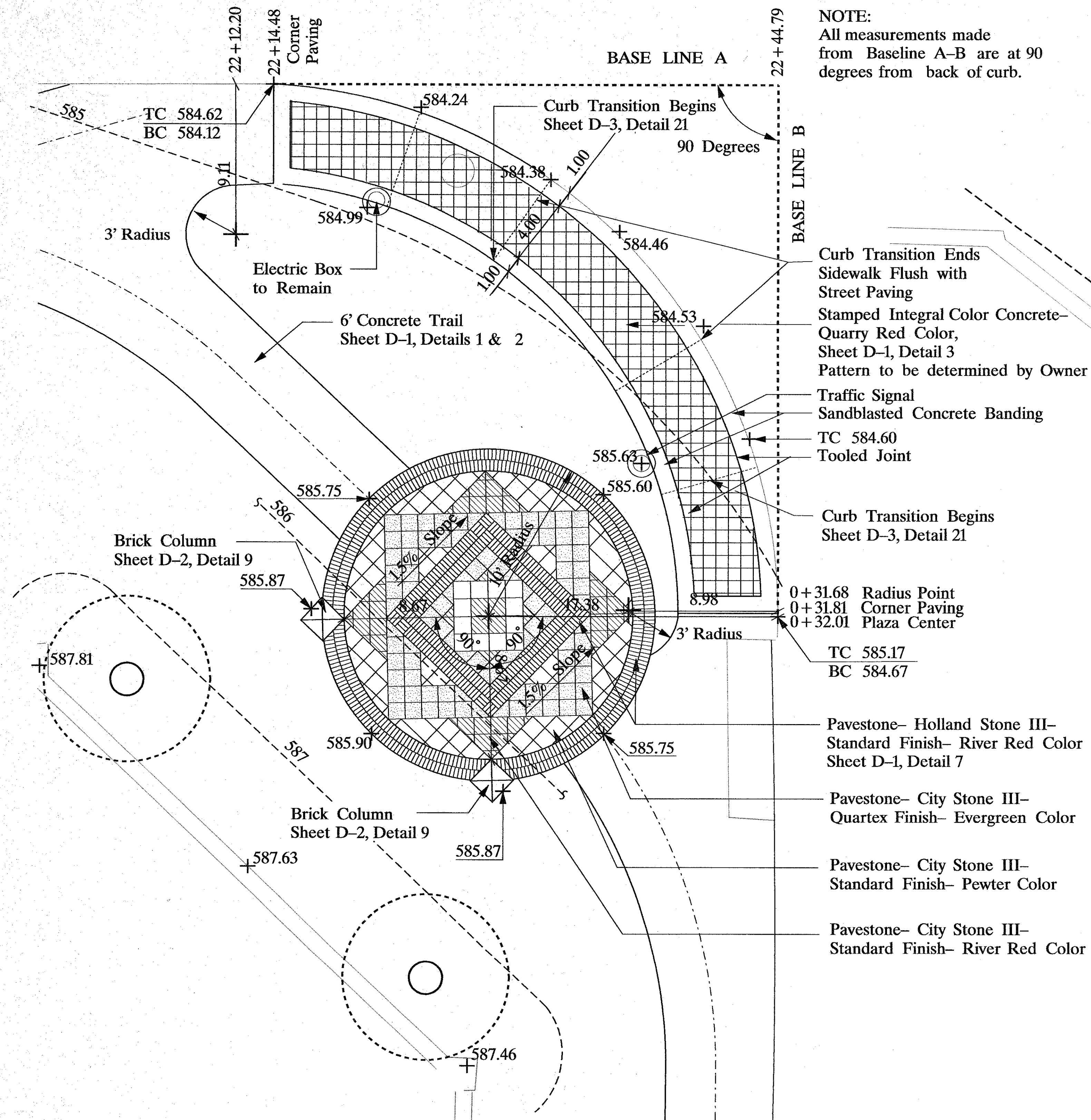
DESIGNED SLA
DRAWN SLA
CHECKED DLR/LED

ISSUE DATE
August 18, 1994

SHEET NUMBER
C-2.10

NOTE:
All measurements made
from Baseline A-B are at 90
degrees from back of curb.

NOTE:
All measurements made
from Baseline B are at 90
degrees from back of curb.



Plaza Enlargements



LES LACS LINEAR PARK

TOWN OF ADDISON PARKS & LEISURE SERVICES DEPARTMENT 16801 WESTGROVE ROAD ADDISON, TEXAS 75001 214 450-2851

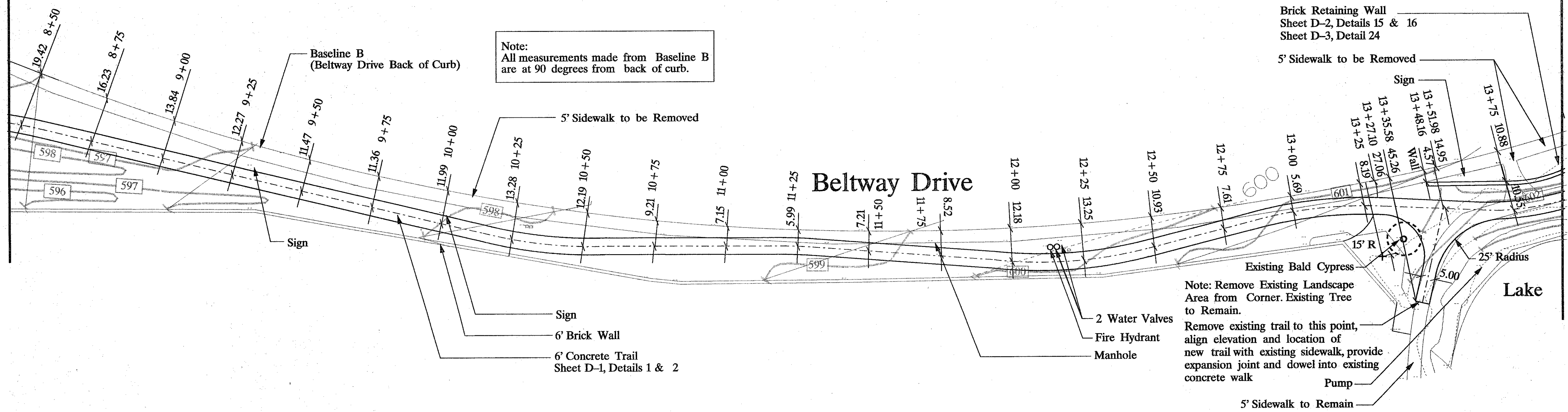
Carter Burgess

7905 ELMBROOK DRIVE SUITE 200 DALLAS, TEXAS 75247-4651
(214) 658-0665 FAX (214) 658-0447

REVISIONS
JOB NUMBER 93324001D
DESIGNED SLA DRAWN SLA CHECKED DLB/LEO
ISSUE DATE August 18, 1994
SHEET NUMBER C-2.6

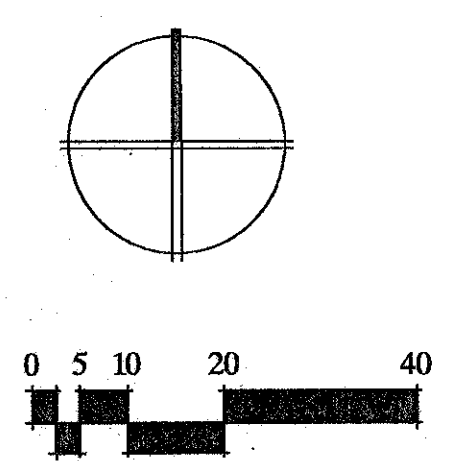
MATCH LINE E

MATCH LINE F



Note:
All measurements made from Baseline B
are at 90 degrees from back of curb.

Note: Remove Existing Landscape
Area from Corner. Existing Tree
to Remain.
Remove existing trail to this point,
align elevation and location of
new trail with existing sidewalk, provide
expansion joint and dowel into existing
concrete walk



Layout and Dimensioning Plan Area Six

(P) REF: N:\LANDPLAN\93324001\24000000.MXD - LOG: LPT - QM: 1-1, 2-36, 40-83
 (A) REF: N:\LANDPLAN\93324001\CONT00R.DWG - LOG: CONT00R - QM: 1-6, 8, 11-14, 16-21, 23, 24, 26-29, 31, 36-41, 43, 47-49
 (D) REF: N:\LANDPLAN\93324001\24000000.DWG - LOG: 2400 - QM: 1-1, 2-36, 40-83
 (S) REF: N:\LANDPLAN\93324001\24000000.DWG - LOG: 2400 - QM: 1-1, 2-36, 40-83
 USER: ADAMS / JOB: UNKNOWN / PLOTTED: Wed Aug 17 16:37:23 1994

CONSTRUCTION PLANS

FOR

LES LACS LINEAR PARK

PARKS AND LEISURE SERVICES

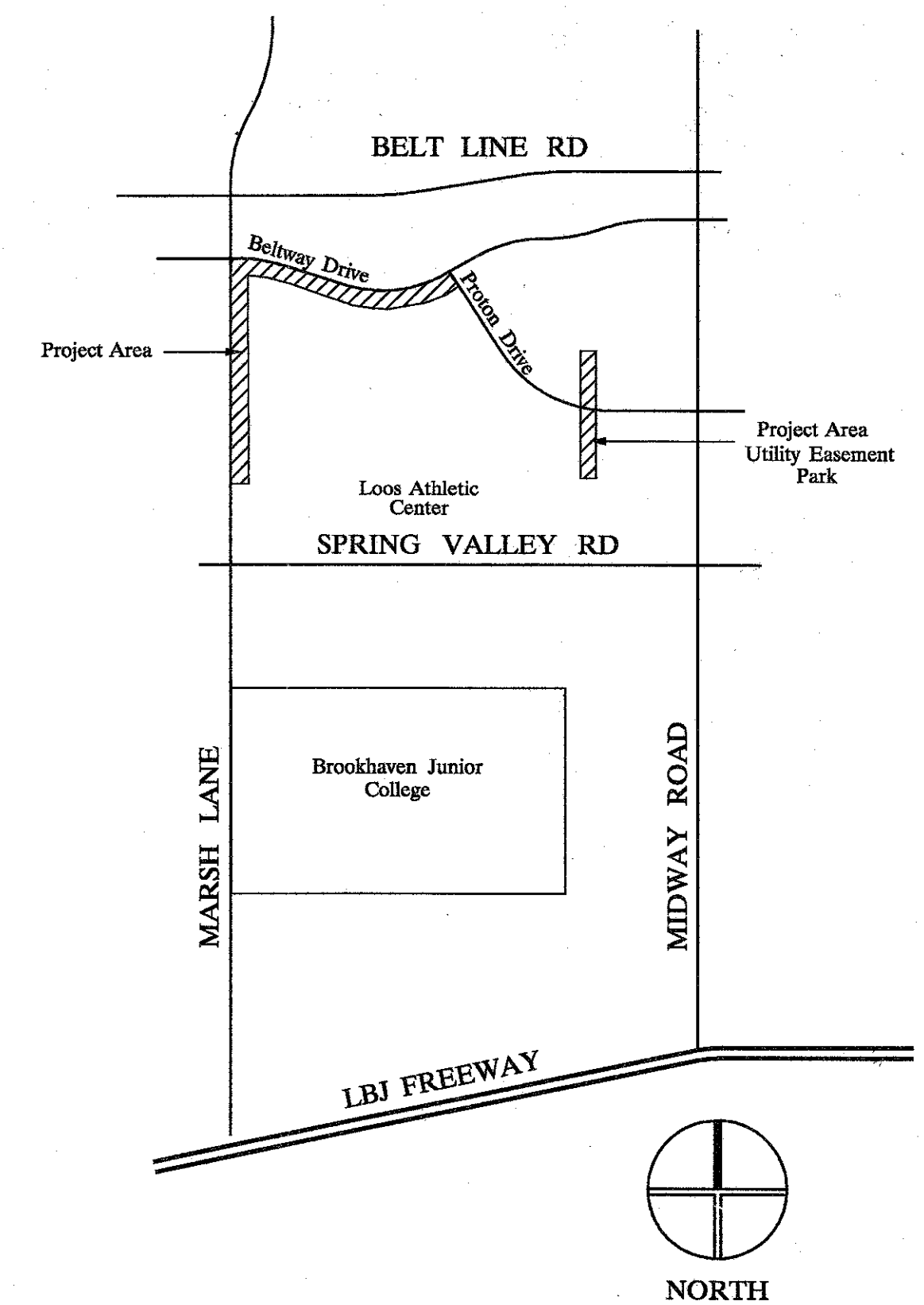
ADDISON, TEXAS

AUGUST 1994

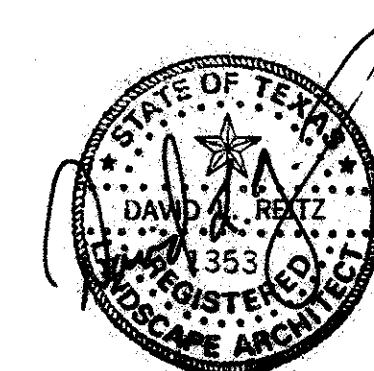
BID NUMBER 94-43

SHEET INDEX

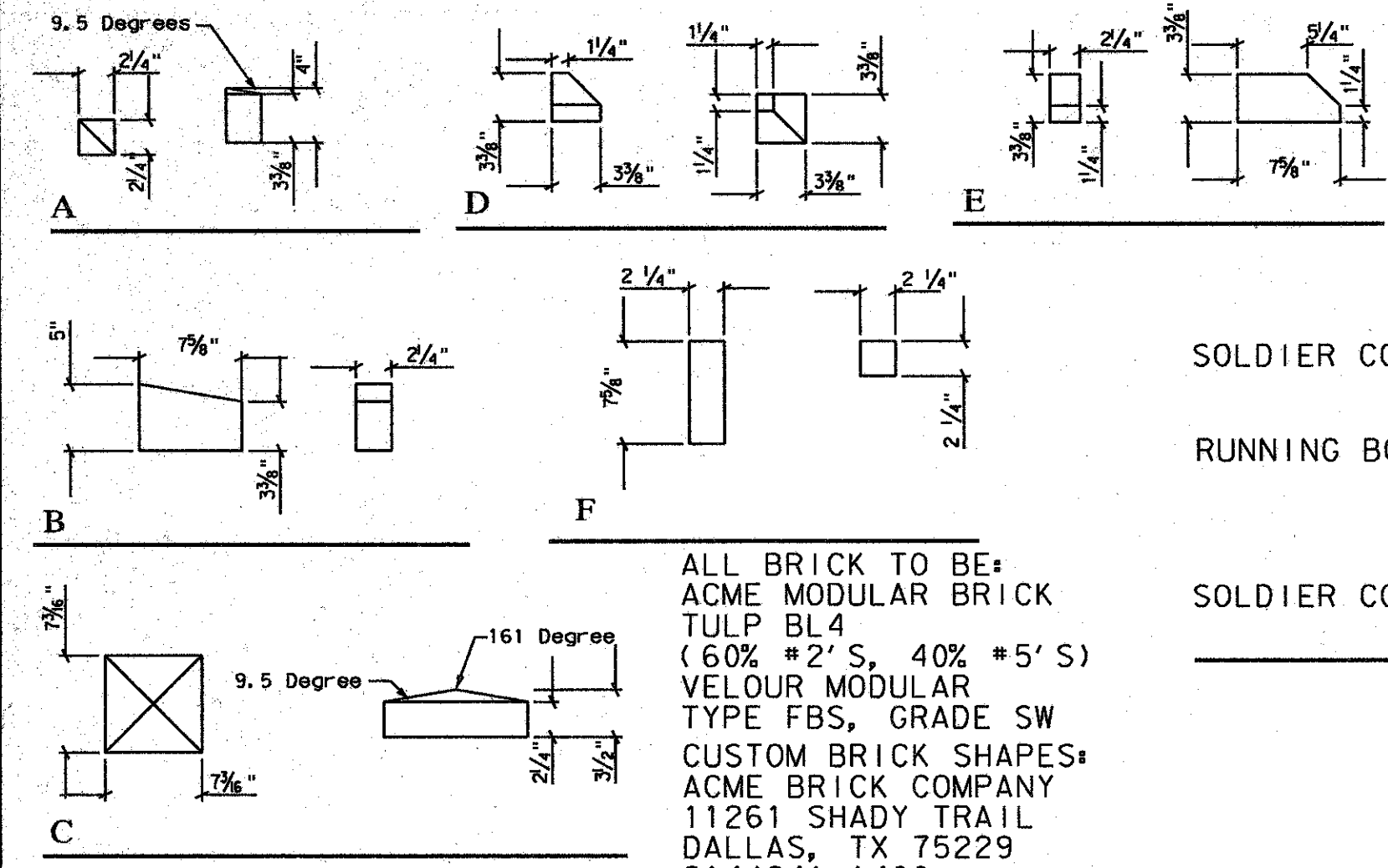
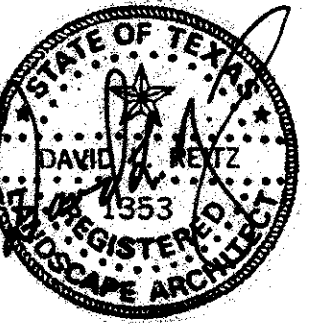
C-1.0	Key Plan	D-2	Masonry Details
C-1.1	Grading Plan Area One	D-3	Masonry Details
C-1.2	Grading Plan Area Two	D-4	Details
C-1.3	Grading Plan Area Three	LP-1.1	Planting Plan Area One
C-1.4	Grading Plan Area Four	LP-1.2	Planting Plan Area Two
C-1.5	Grading Plan Area Five	LP-1.3	Planting Plan Area Three
C-1.6	Grading Plan Area Six	LP-1.4	Planting Plan Area Four
C-1.7	Grading Plan Area Seven	LP-1.5	Planting Plan Area Five
C-1.8	Grading Plan Area Eight	LP-1.6	Planting Plan Area Six
C-1.9	Grading Plan Area Nine	LP-1.7	Planting Plan Area Seven
C-2.1	Layout & Dimensioning Plan Area One	LP-1.8	Planting Plan Area Eight
C-2.2	Layout & Dimensioning Plan Area Two	LP-1.9	Planting Plan Area Nine
C-2.3	Layout & Dimensioning Plan Area Three	LP-1.10	Planting Details
C-2.4	Layout & Dimensioning Plan Area Four	LI-1.1	Irrigation Plan Area One
C-2.5	Layout & Dimensioning Plan Area Five	LI-1.2	Irrigation Plan Area Two
C-2.6	Layout & Dimensioning Plan Area Six	LI-1.3	Irrigation Plan Area Three
C-2.7	Layout & Dimensioning Plan Area Seven	LI-1.4	Irrigation Plan Area Four
C-2.8	Layout & Dimensioning Plan Area Eight	LI-1.5	Irrigation Plan Area Five
C-2.9	Layout & Dimensioning Plan Area Nine	LI-1.6	Irrigation Plan Area Six
C-2.10	Plaza Enlargements	LI-1.7	Irrigation Plan Area Seven
C-2.11	Plaza Enlargements	LI-1.8	Irrigation Plan Area Eight
C-2.12	Plaza Enlargements	LI-1.9	Irrigation Plan Area Nine
E-1.1	Lighting Plan Easement Park Area	LI-1.10	Irrigation Details
D-1	Details		



VICINITY MAP

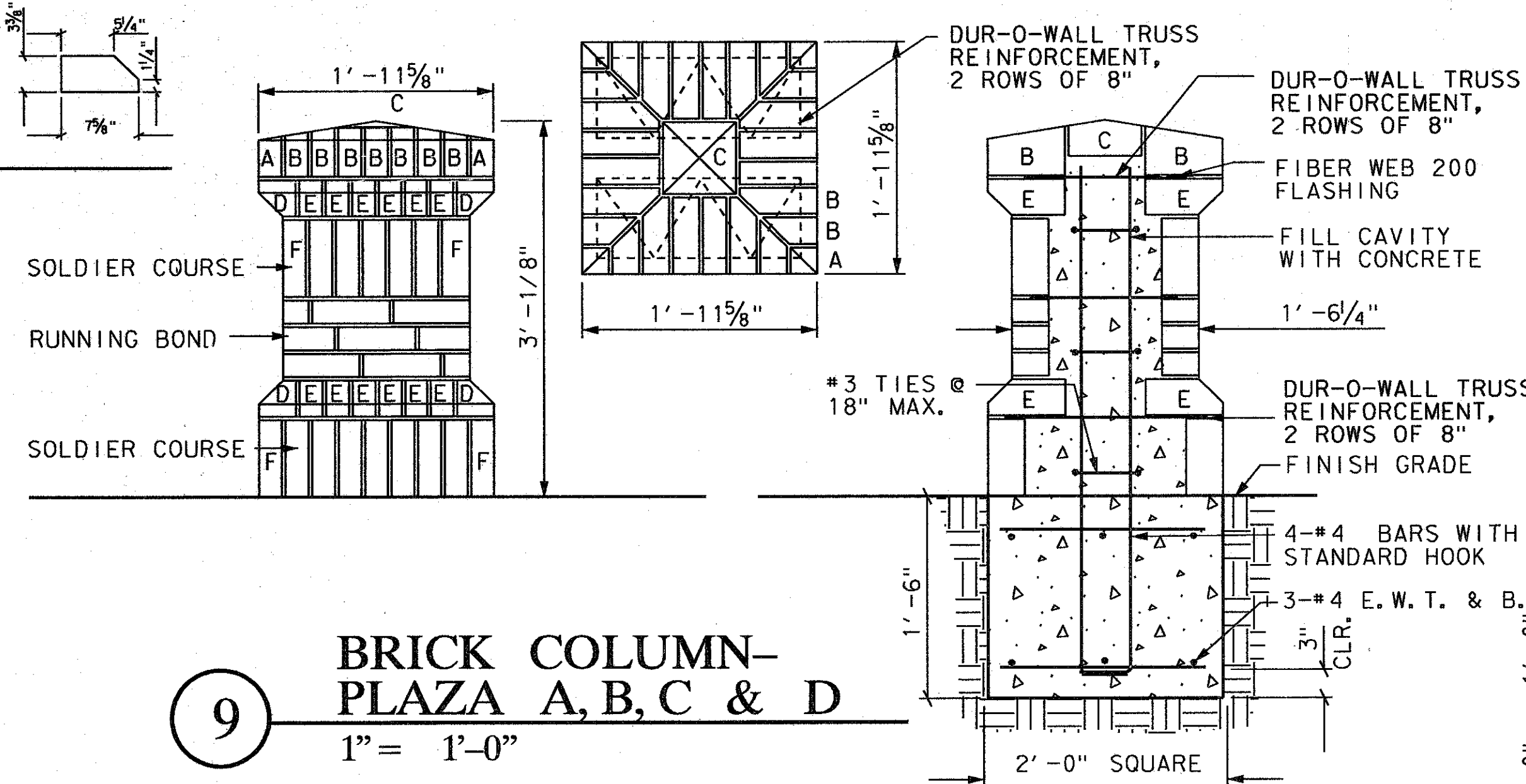


LANDSCAPE ARCHITECT /ENGINEER:
CARTER & BURGESS, INC.
 7950 ELMBROOK DRIVE SUITE 250
 DALLAS, TEXAS 75247
 214/638-0145

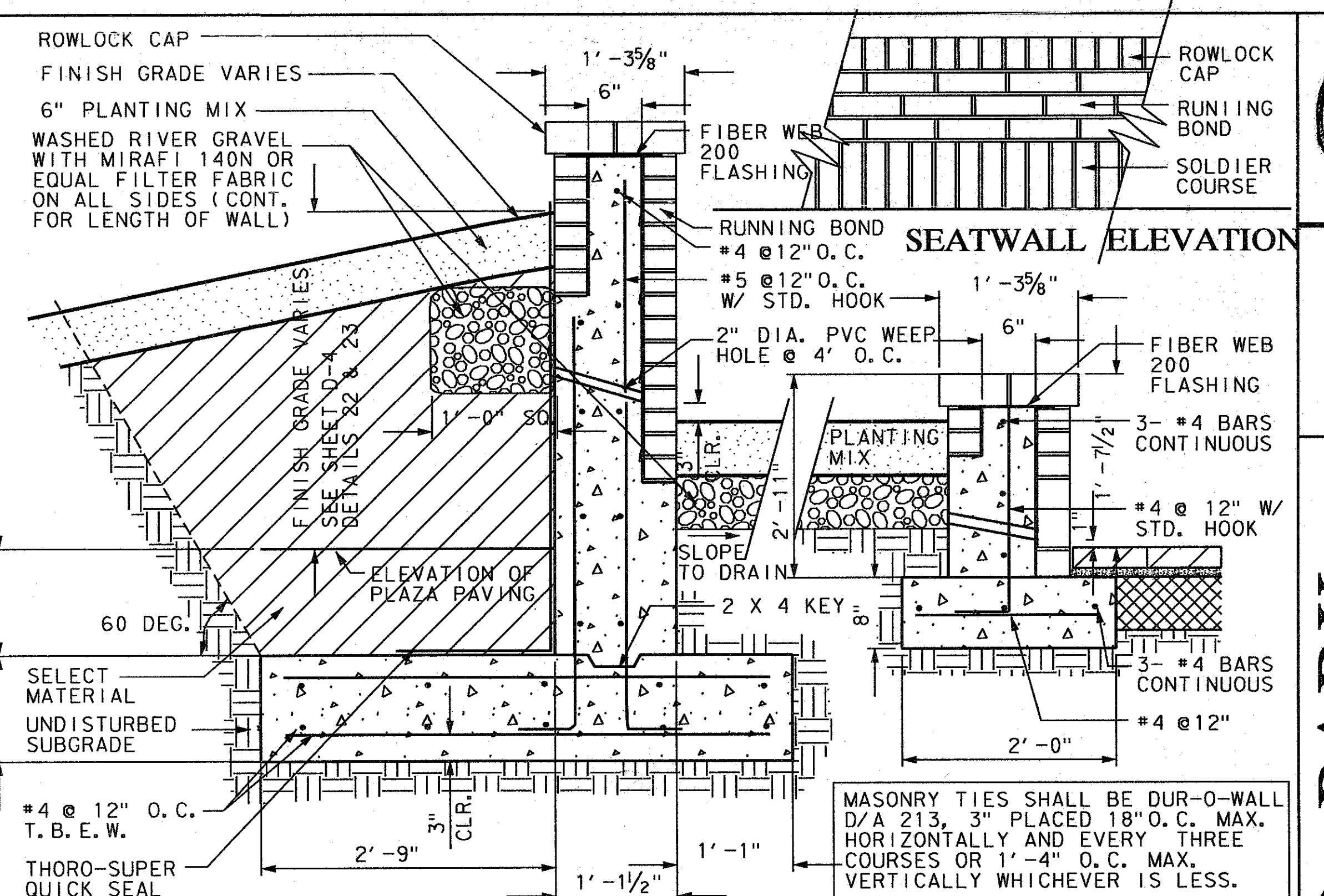


ALL BRICK TO BE:
ACME MODULAR BRICK
TULP BL 4
(60% #2'S, 40% #5'S)
VELOUR MODULAR
TYPE FBS, GRADE SW
CUSTOM BRICK SHAPES:
ACME BRICK COMPANY
11261 SHADY TRAIL
DALLAS, TX 75229
214/241-1400

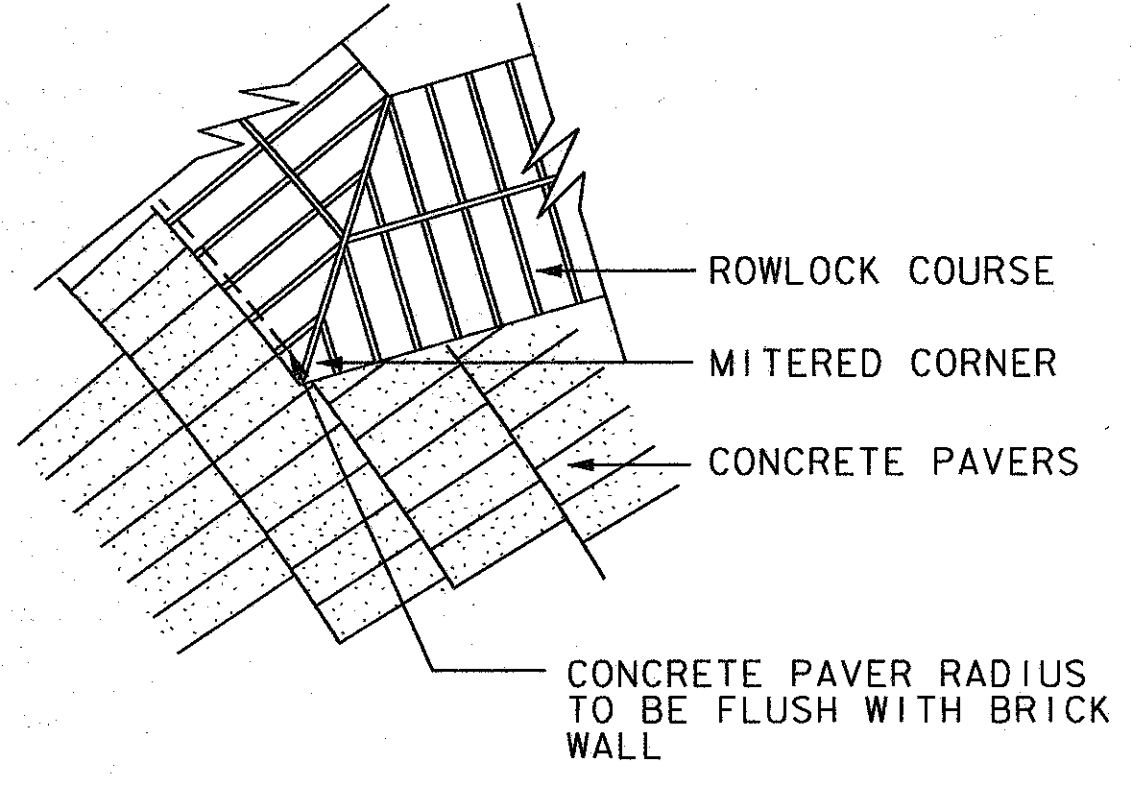
8 SPECIAL BRICK SHAPES
1" = 1'-0"



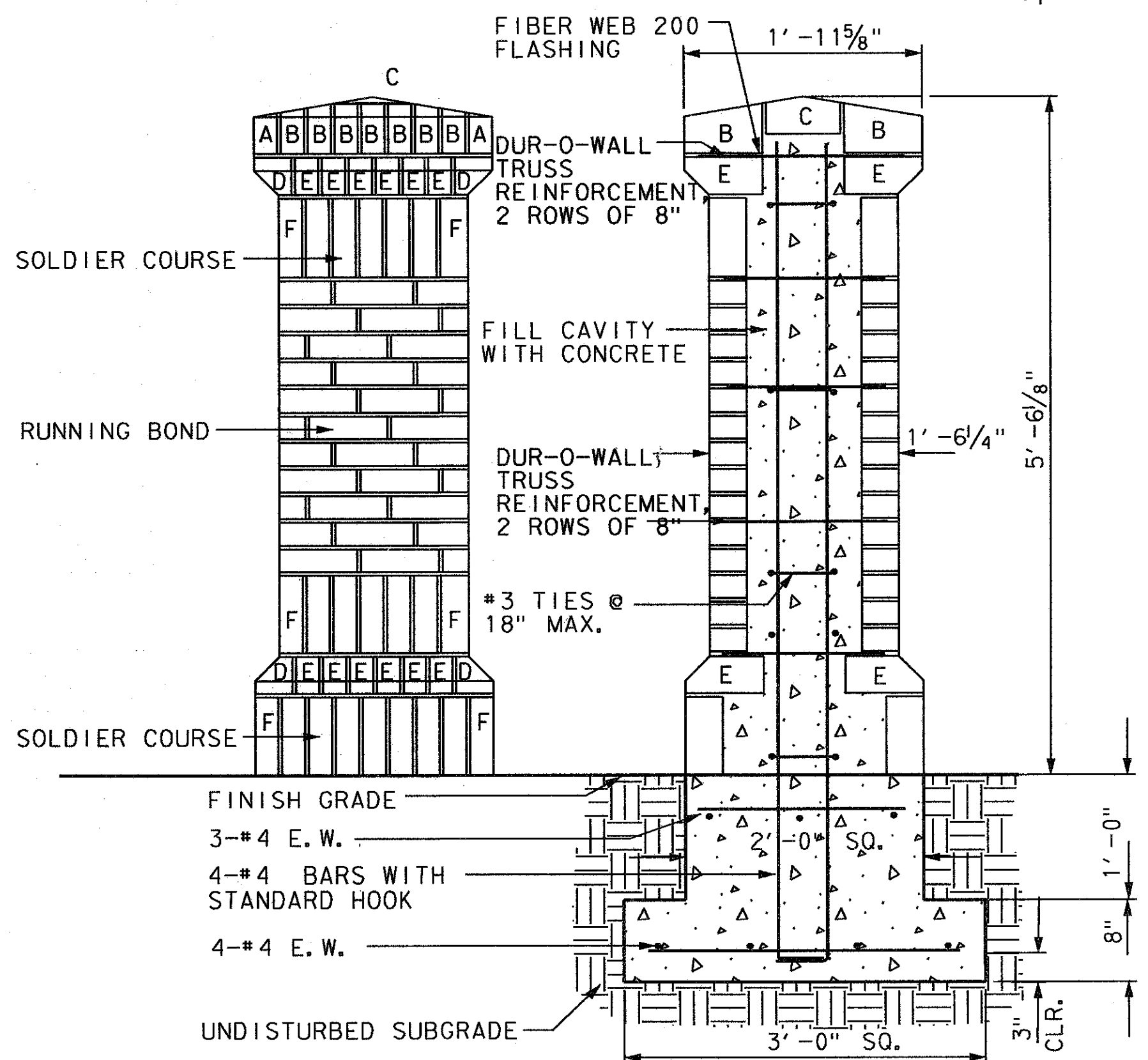
9 BRICK COLUMN-PLAZA A, B, C & D
1" = 1'-0"



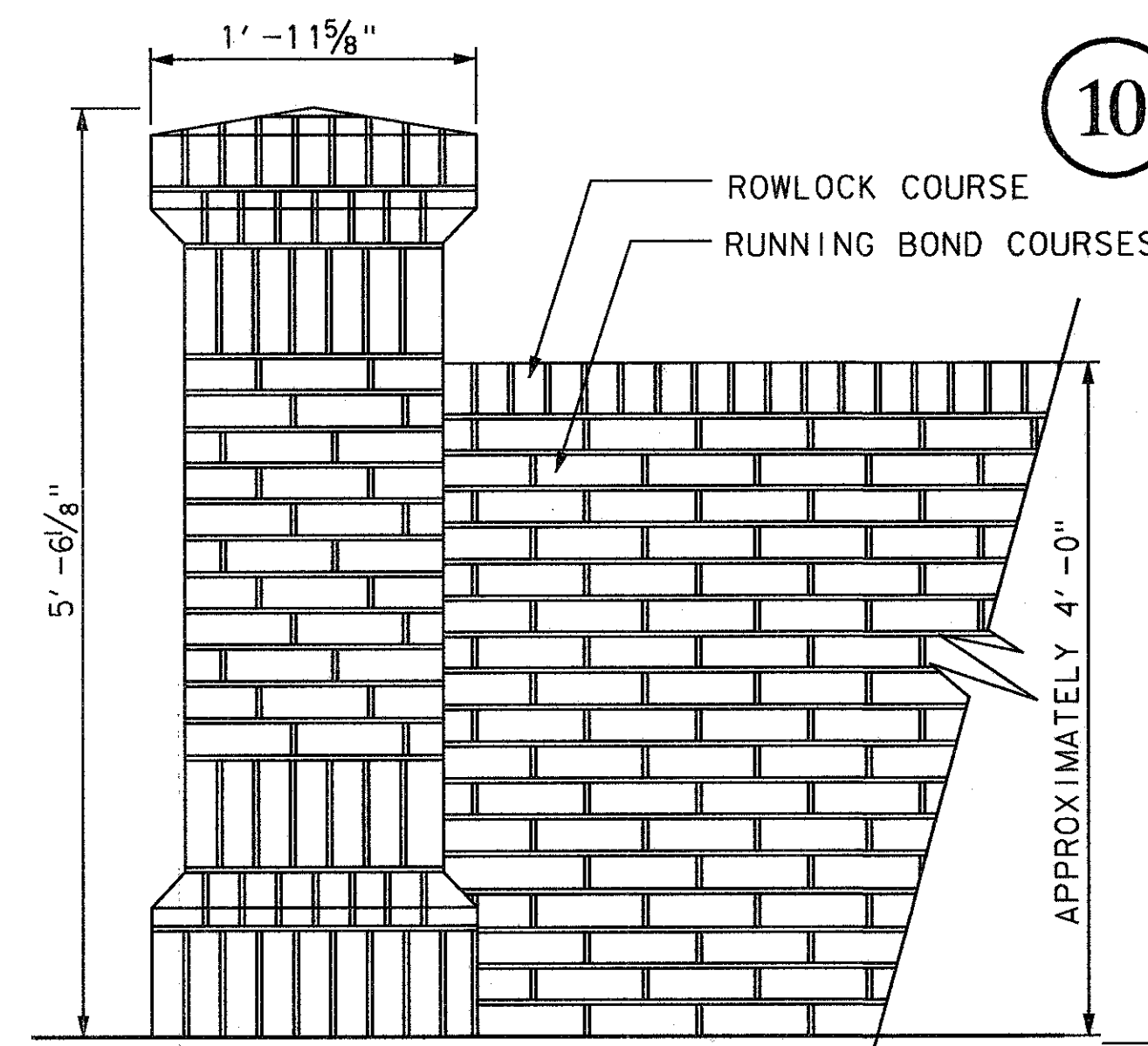
10 WALL SECTIONS-PLAZA C
1" = 1'-0"



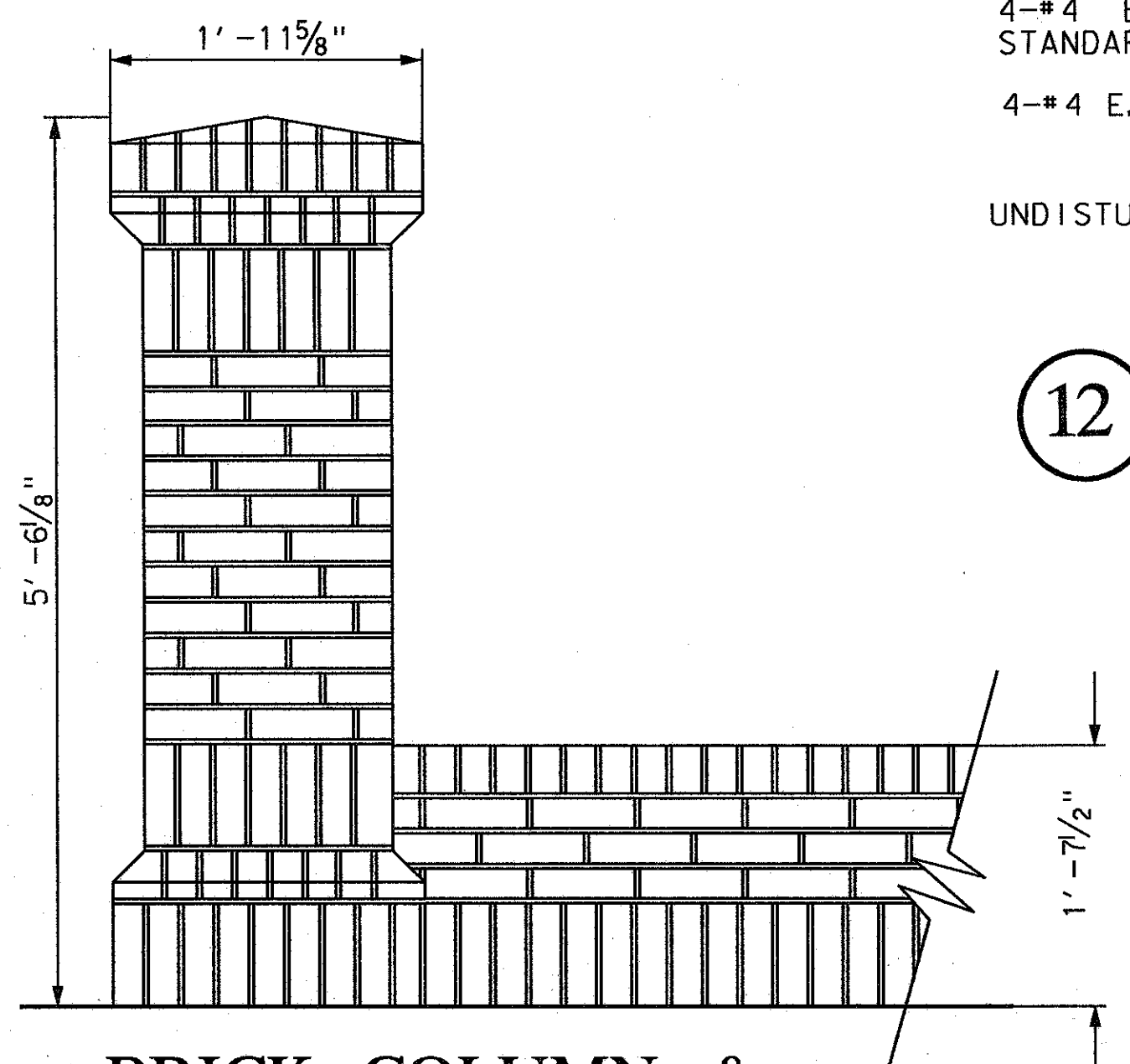
11 SEATWALL CORNER-PLAZA C
1" = 1'-0"



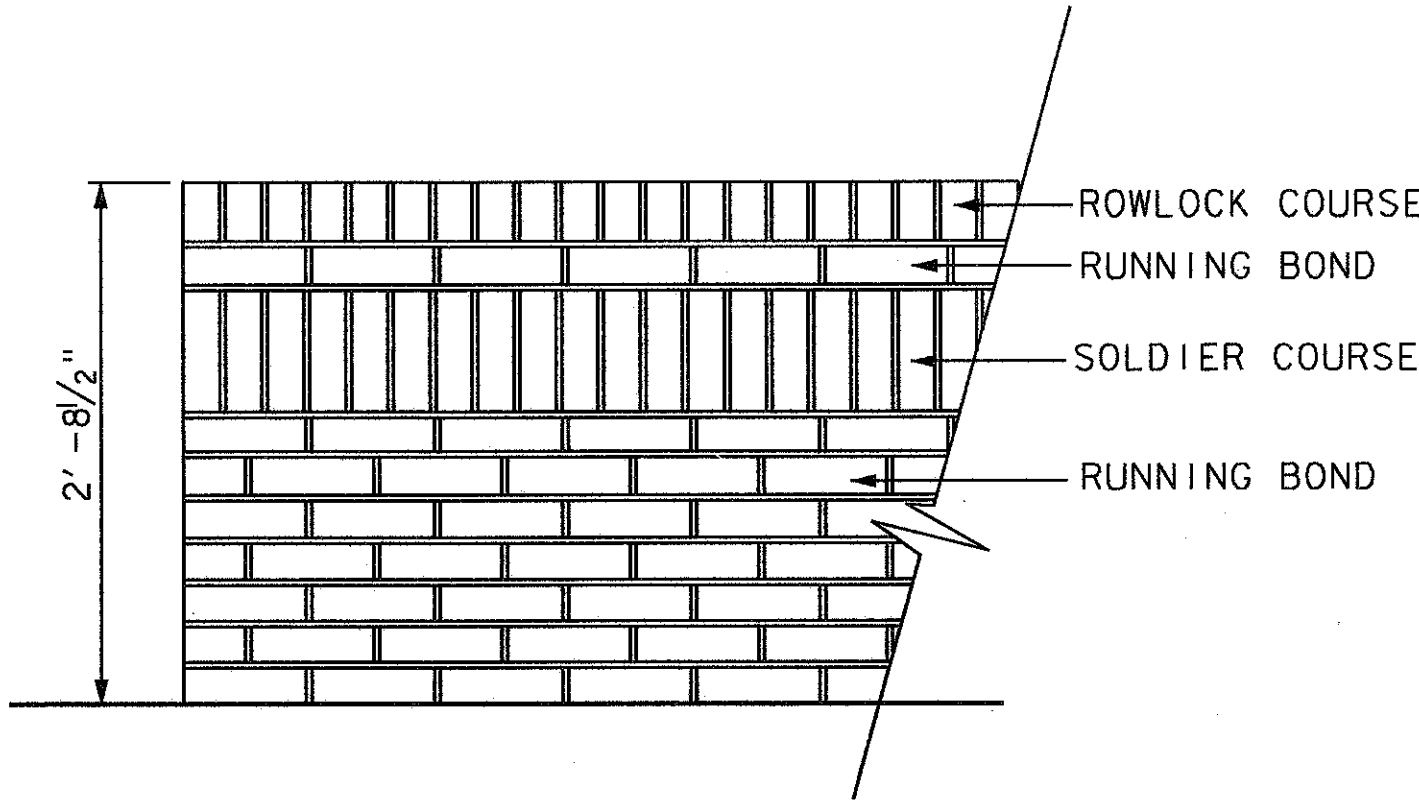
12 BRICK COLUMN-PLAZA C
1" = 1'-0"



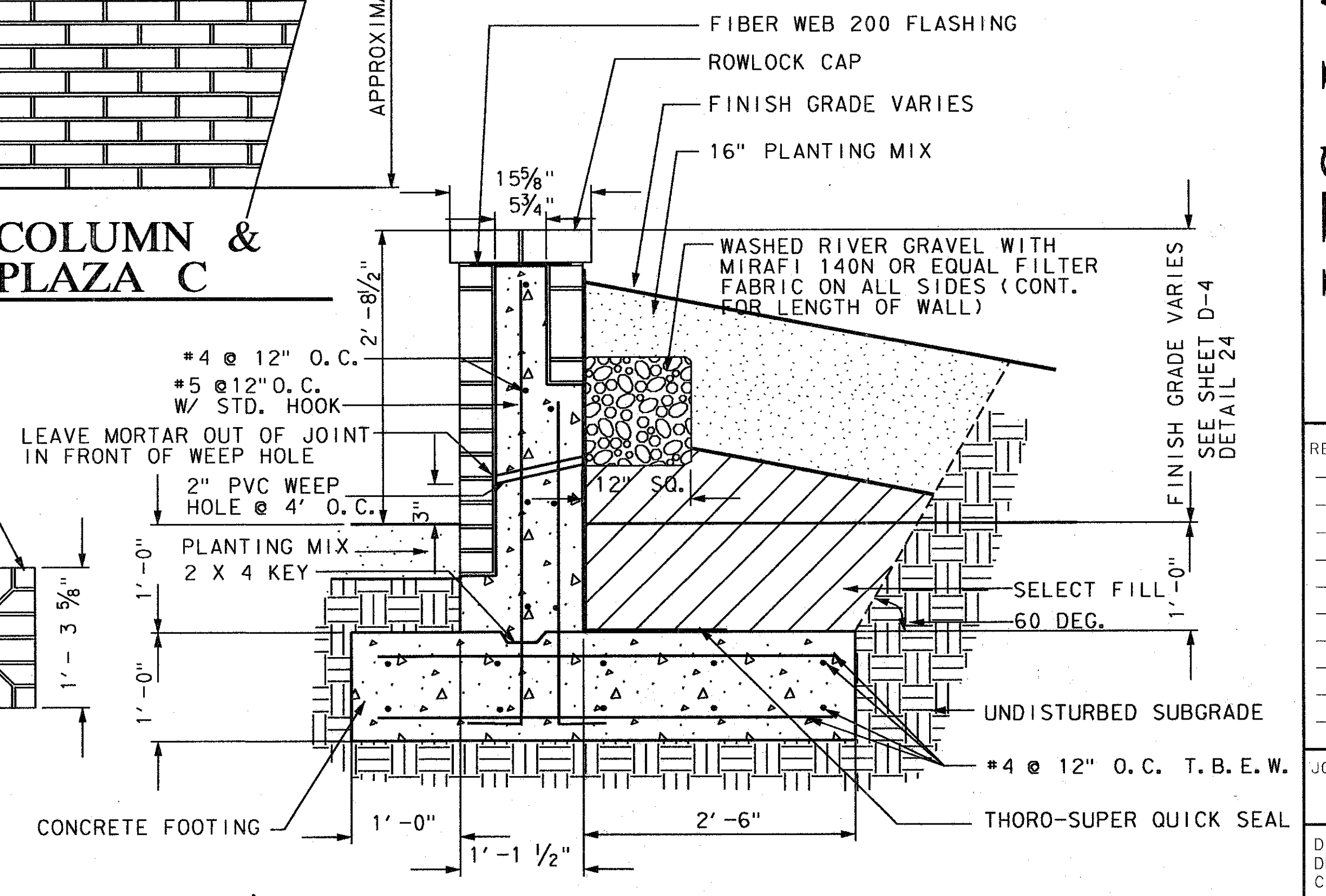
13 BRICK COLUMN & WALL-PLAZA C
1" = 1'-0"



14 BRICK COLUMN & SEATWALL-PLAZA C
1" = 1'-0"



15 BRICK RETAINING WALL-LAKE AREA
1" = 1'-0"



16 RETAINING WALL-LAKE AREA
1" = 1'-0"

MASONRY TIES SHALL BE DUR-O-WALL D/A 213, 3" PLACED 18" O.C. MAX. HORIZONTALLY AND EVERY THREE COURSES OR 1'-4" O.C. MAX. VERTICALLY WHICHEVER IS LESS.

LEAVE MORTAR OUT OF JOINT IN FRONT OF WEEP HOLE (TYPICAL)

WASHED RIVER GRAVEL WITH MIRAFI 140N OR EQUAL FILTER FABRIC ON ALL SIDES (CONT. FOR LENGTH OF WALL)

LES LACS LINEAR PARK
TOWN OF ADDISON PARKS & LEISURE SERVICES DEPARTMENT 16801 WESTGROVE ROAD ADDISON, TEXAS 75001 214/450-2851

Carter & Burgess

REVISIONS

JOB NUMBER
93324001D

DESIGNED SLA
DRAWN SLA
CHECKED DLK-ALP

ISSUE DATE
August 18, 1994

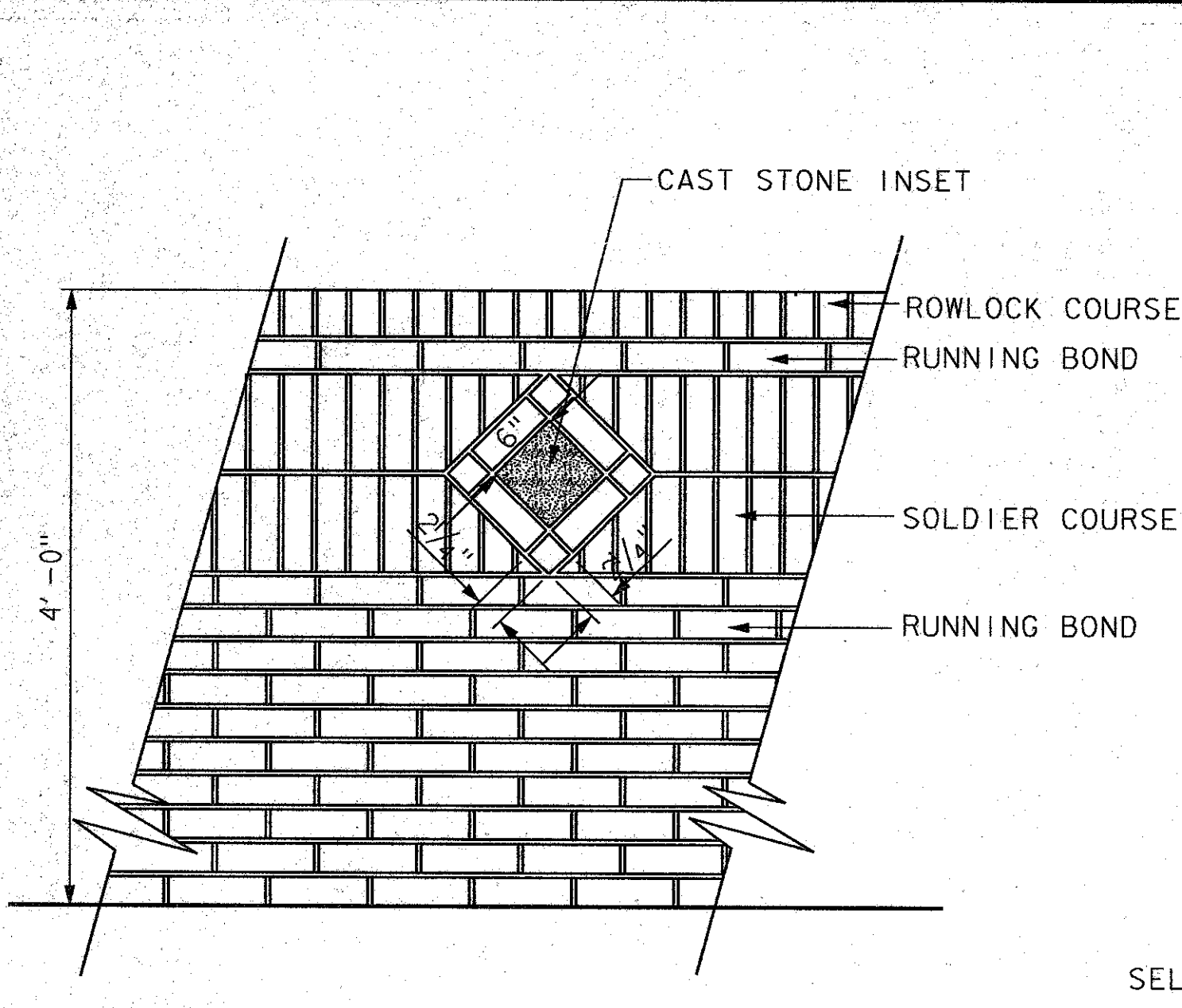
SHEET NUMBER

D-2

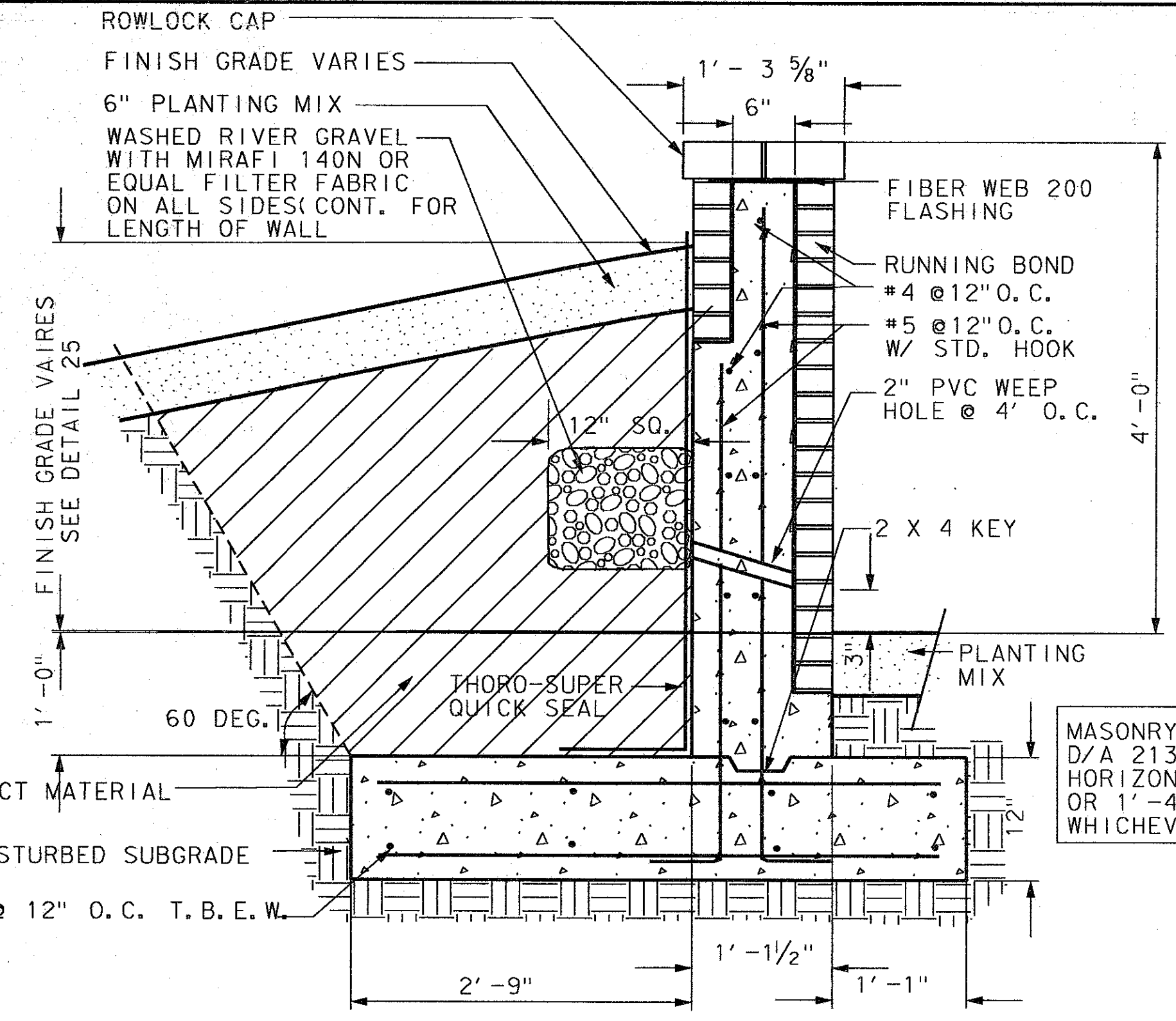
Masonry Details



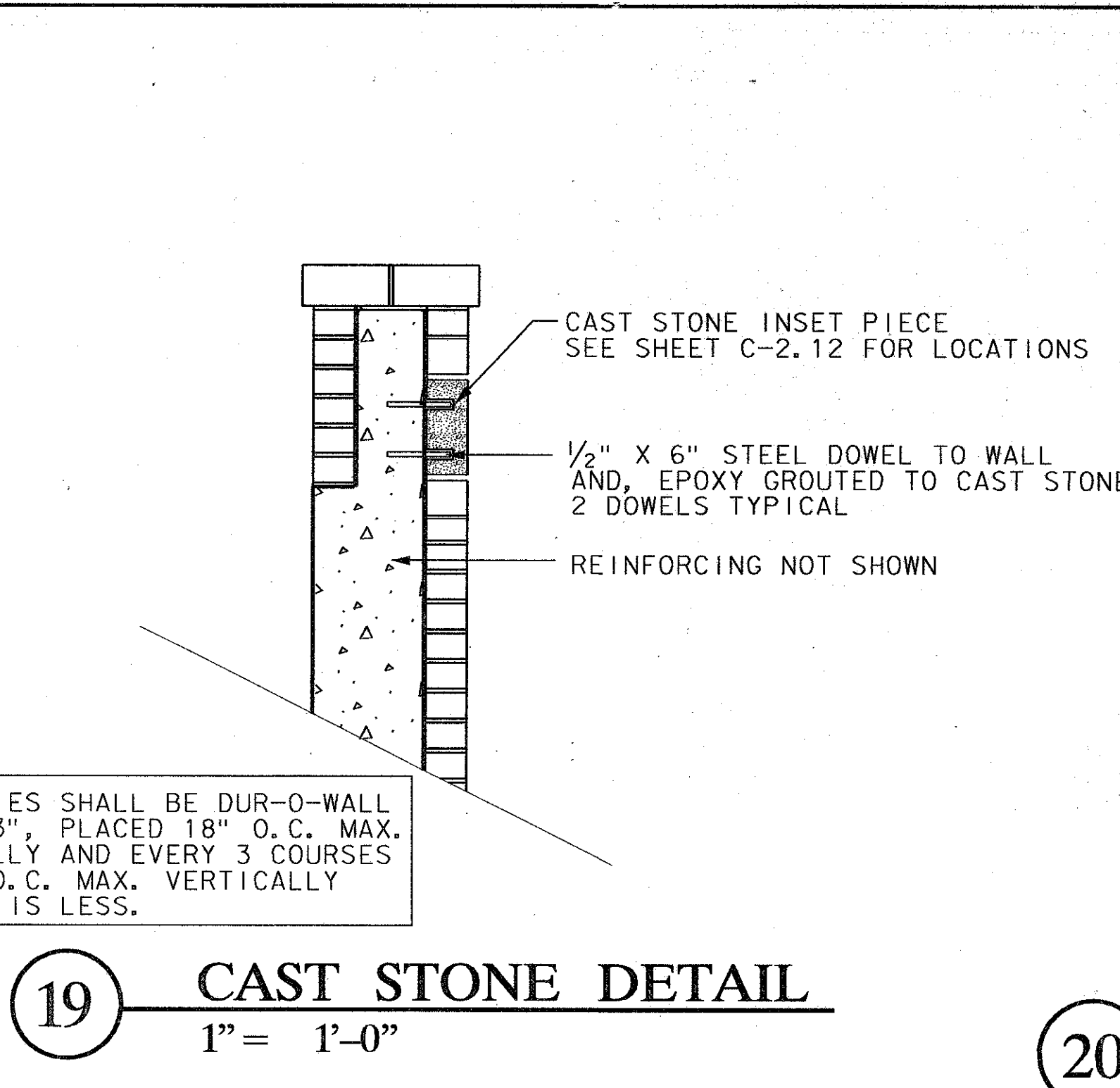
USER-ADAMS JOB#-UNKNOWN PLOTTED Wed Aug 17 08:08:01 1994
TBL-FY-PLT-TBL\PL-LACS-TBL
C:\P\LAN\LANDPLAN\3324001\24001.DWG - 08/17/94
PLOT FILE: V:\817\08A\2401.DWG, PRF - RD\EG_000000 - SCALE: 1/4" = 1'-0"
C:\P\LAN\LANDPLAN\3324001\24001.DWG - 08/17/94
C:\P\LAN\LANDPLAN\3324001\24001.DWG - 08/17/94



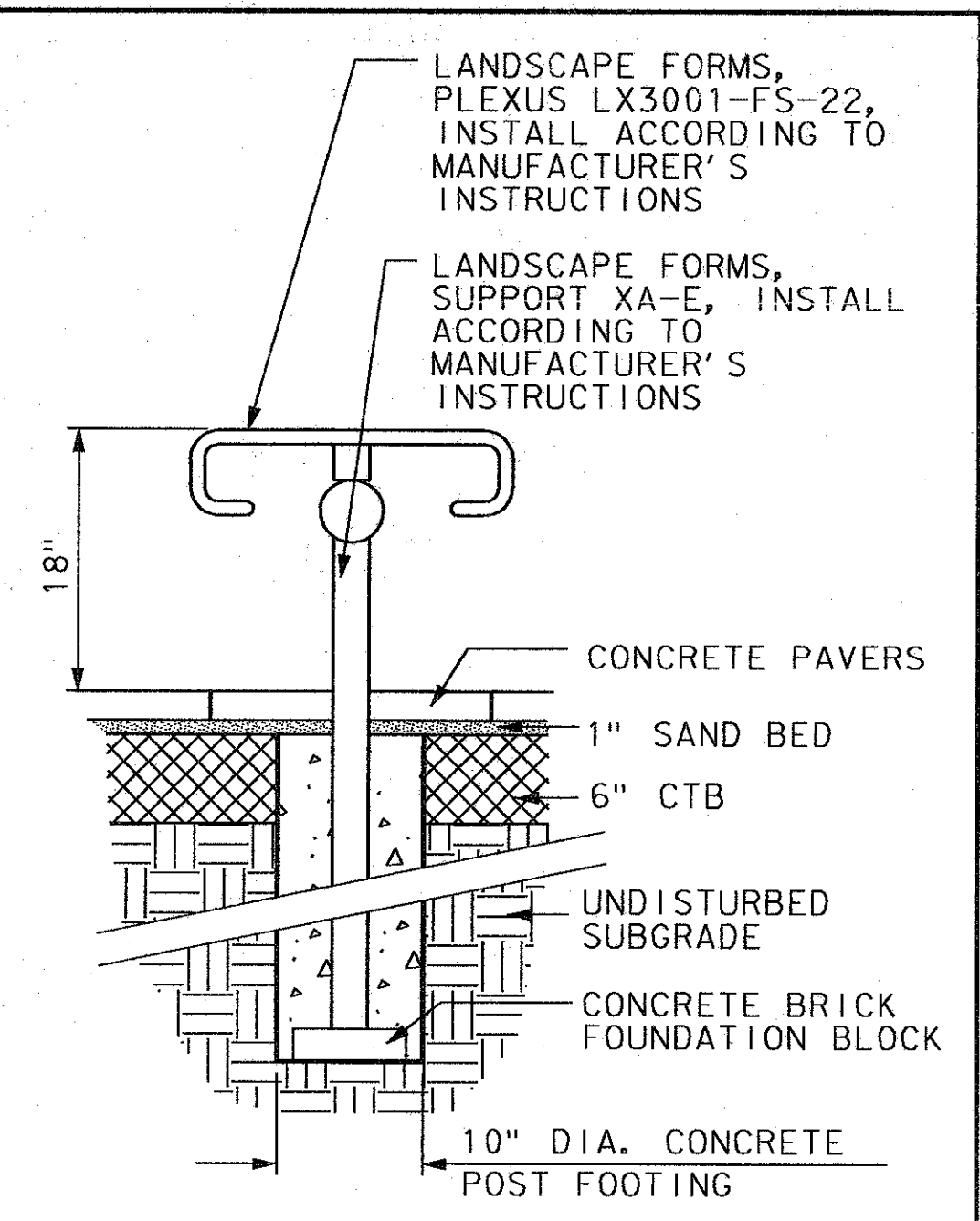
17 **RETAINING WALL- PLAZA D**
1" = 1'-0"



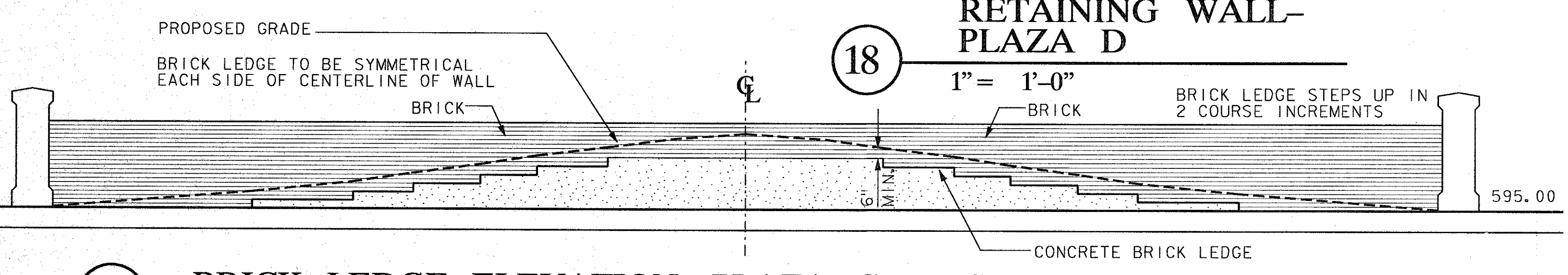
18 **RETAINING WALL- PLAZA D**
1" = 1'-0"



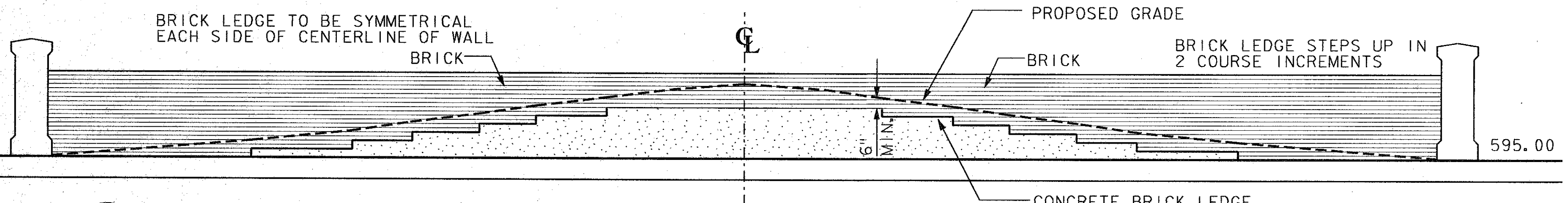
19 **CAST STONE DETAIL**
1" = 1'-0"



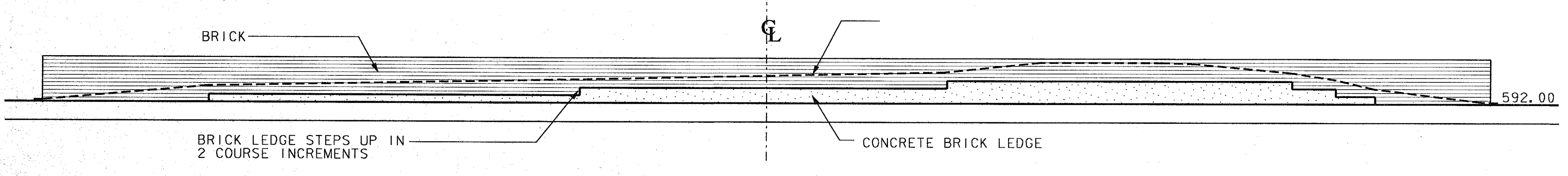
20 **BENCH DETAIL**
1" = 1'-0"



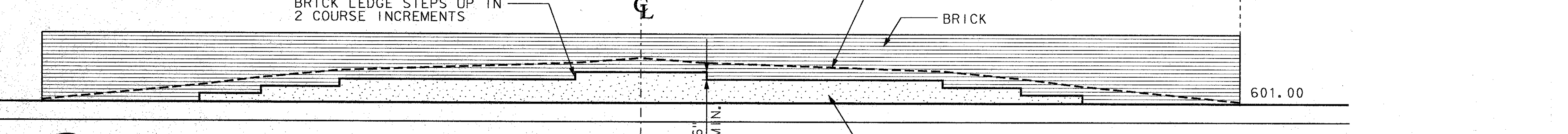
22 **BRICK LEDGE ELEVATION- PLAZA C- WEST**
1/4" = 1'-0"



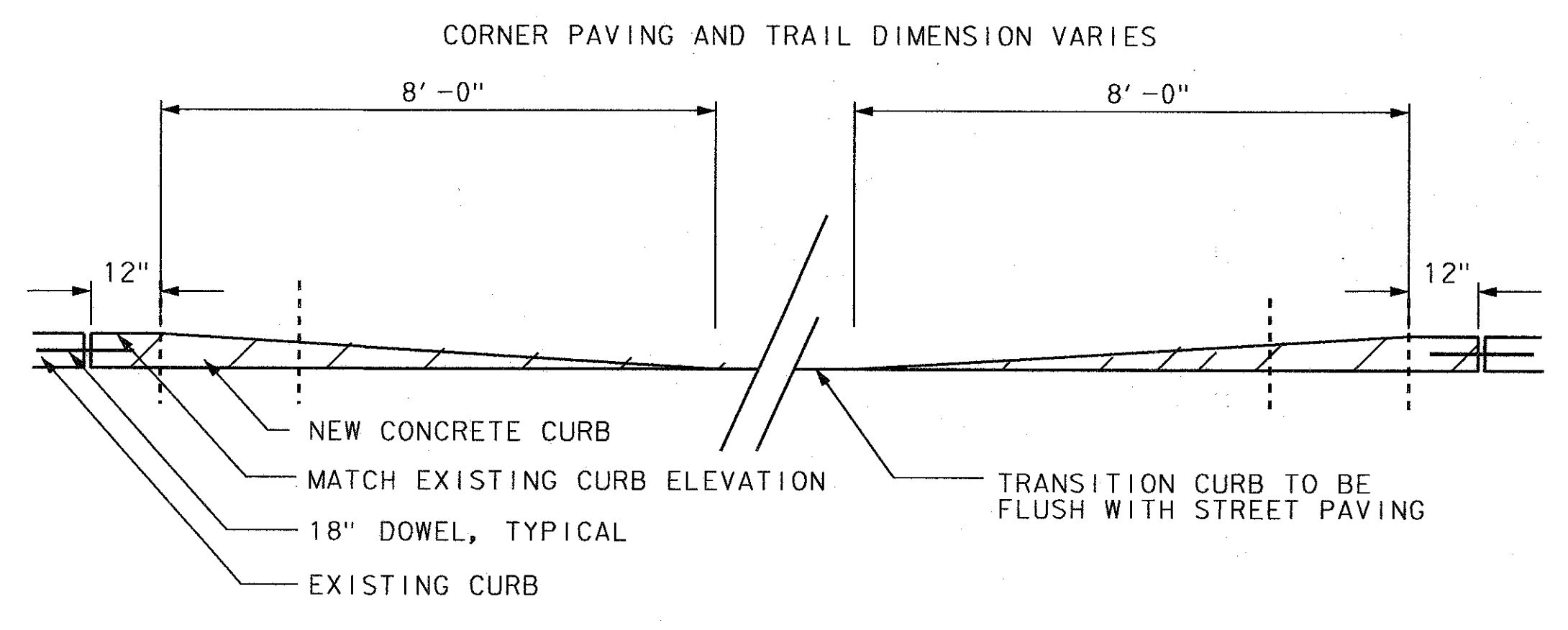
23 **BRICK LEDGE ELEVATION- PLAZA C- EAST**
1/4" = 1'-0"



24 **BRICK LEDGE ELEVATION- LAKE AREA**
1/4" = 1'-0"



25 **BRICK LEDGE ELEVATION- PLAZA D**
1/4" = 1'-0"



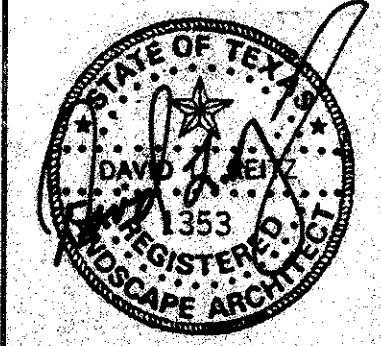
21 **CURB TRANSITION**
1/2" = 1'-0"

LES LACS LINEAR PARK

TOWN OF ADDISON PARKS & LEISURE SERVICES DEPARTMENT 16800 WESTGROVE ROAD ADDISON, TEXAS 75001 214/450-2851
7901 ELMBROOK DRIVE SUITE 250 DALLAS, TEXAS 75247 - 6951 (214) 638 0445 FAX (214) 638 0447



REVISIONS
JOB NUMBER 93324001D
DESIGNED SIA DRAWN SIA CHECKED DLR/LBO
ISSUE DATE August 18, 1994
SHEET NUMBER D-3

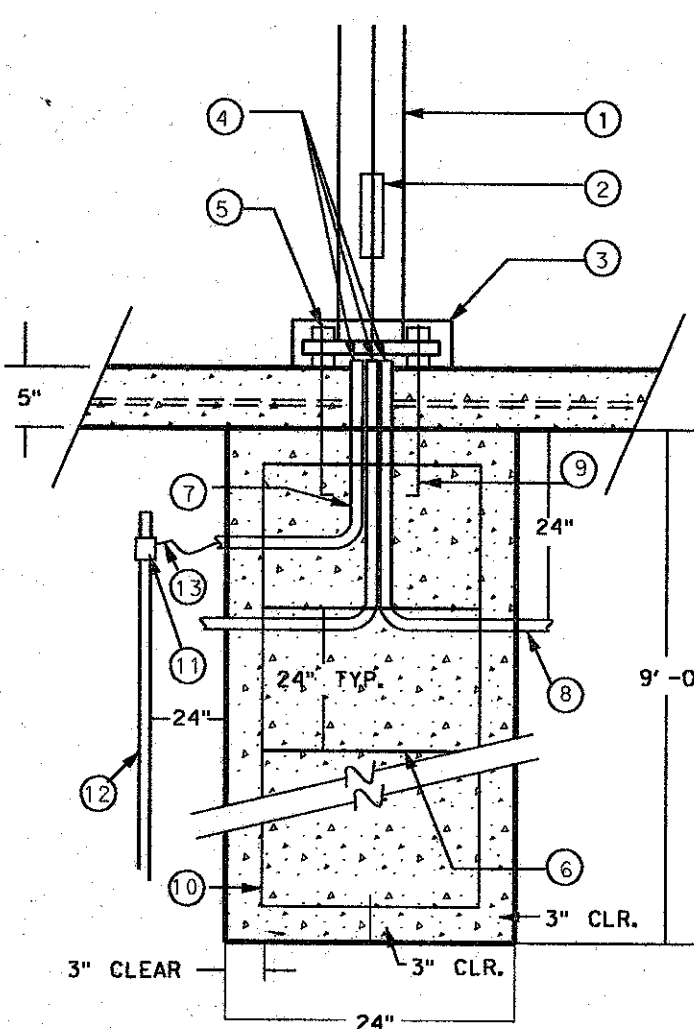
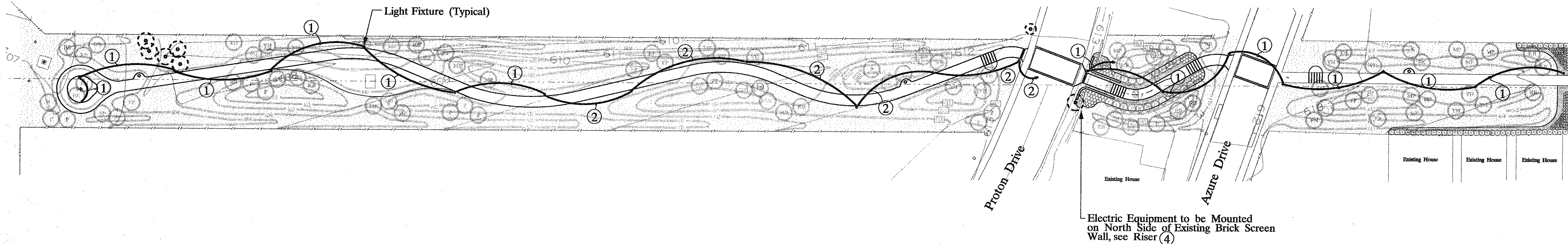


GENERAL NOTES:

1. All work shall be in conformance with latest edition of the National Electrical Code and all local codes in effect.
2. All conductors shall be copper and installed in conduit.
3. Coordinate exact locations of all light fixtures and electrical equipment with Landscape Architect prior to installation.

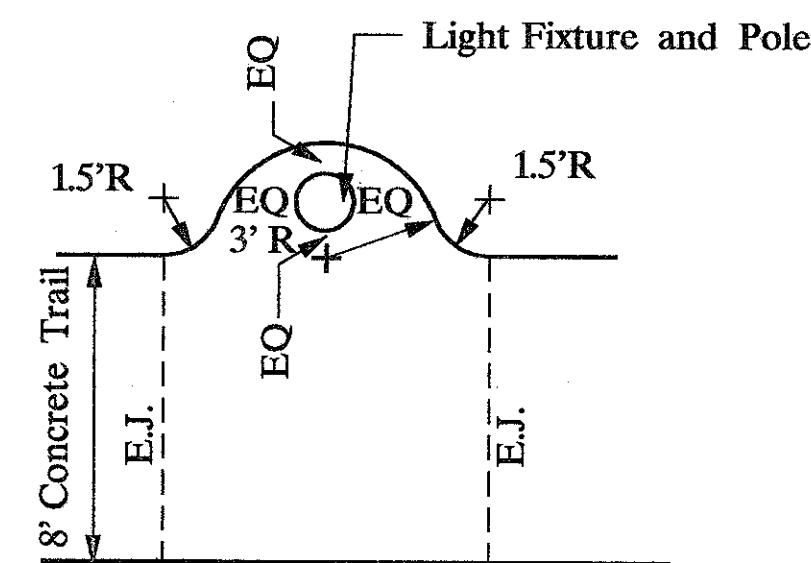
NOTES BY SYMBOL ①

- ① 2- #10, 1- #12 G in 3/4" conduit
- ② 4- #10, 1- #12 G in 3/4" conduit
- ③ Contractor should coordinate with TU Electric on exact location for source of power. Install service as indicated. Approximately 100'.
- ④ Mount all electrical equipment on back of existing wall concealed from view.
- ⑤ 1/2" c. with 2- #12 G to Irrigation Controller Approximately 100'.

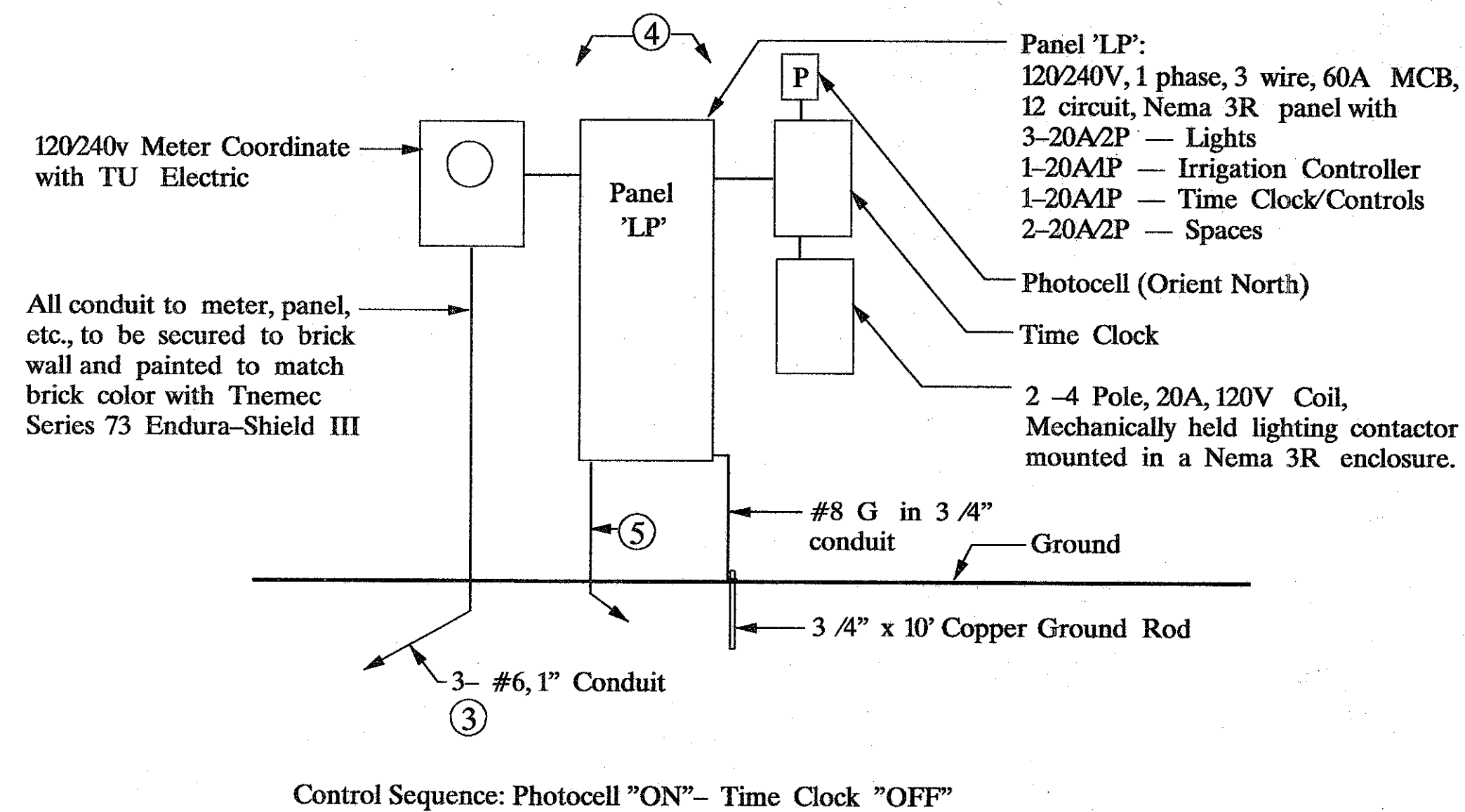


POLE BASE DETAIL
NTS

Light Fixture shall be:
Stern EX-20-A-10-2-N-175 H 240 XA
Executive 20 with 175W MH Lamp
mounted to a KW SSP 12- 4.0- 11- K521-
DM10- BC Pole. Both pole and fixture shall be painted black.

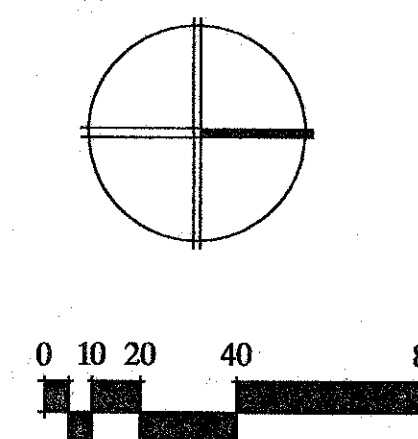


CONCRETE PAD
1/4" = 1'-0"



ELECTRICAL RISER DIAGRAM
NTS

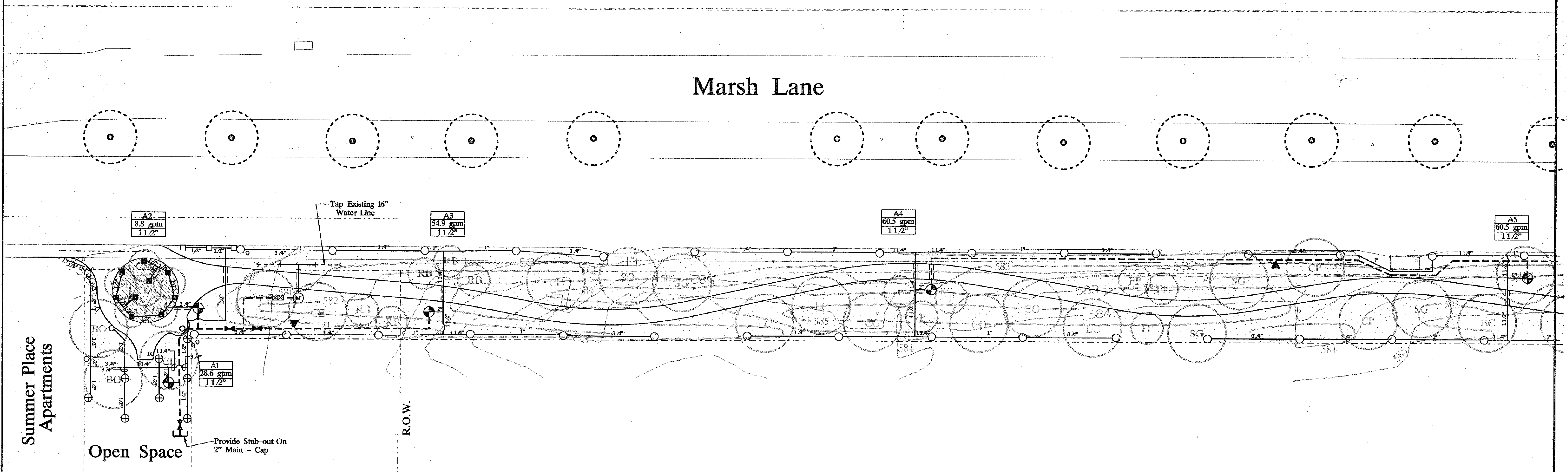
MARSH LANE SECTION ALTERNATE A-5:
Delete Time Clock and Photocell. Add 1/2" conduit with 2- #12, 1- #12G to Irrigation Controller from contactor enclosure.



TOWN OF ADDISON PARKS & LEISURE SERVICES DEPARTMENT, 16801 WESTGROVE ROAD, ADDISON, TEXAS 75001, 214/450-2851
7900 ELMBROOK DRIVE, SUITE 200, DALLAS, TEXAS 75247-4851
(214) 638-0445 FAX (214) 638-0447
Carter Burgess
REVISIONS
JOB NUMBER 93324001D
DESIGNED: SLA DRAWN: SLA CHECKED: DLR/LEO
ISSUE DATE August 18, 1994
SHEET NUMBER E-11

IRRIGATION LEGEND

- HUNTER MODEL POP ROTOR WITH #9 NOZZLE AT 180 UNLESS OTHERWISE NOTED (#12 NOZZLE AT 360, #6 NOZZLE AT 90)
- RAINBIRD MODEL 1804-FRS-SAM POP-UP SPRAY HEAD WITH 15 SERIES NOZZLE
- RAINBIRD MODEL 182-FRS-SAM POP-UP SPRAY HEAD WITH 15 SERIES NOZZLE
- RAINBIRD MODEL 182-FRS-SAM POP-UP SPRAY HEAD WITH 12 SERIES NOZZLE
- RAINBIRD MODEL 182-FRS-SAM POP-UP SPRAY HEAD WITH 10 SERIES NOZZLE
- RAINBIRD MODEL 182-FRS-SAM POP-UP SPRAY HEAD WITH 8 SERIES NOZZLE
- RAINBIRD MODEL 182-FRS-SAM POP-UP SPRAY HEAD WITH 4 SERIES NOZZLE
- RAINBIRD MODEL 182-FRS-SAM POP-UP SPRAY HEAD WITH 17 SST NOZZLE
- RAINBIRD MODEL 182-FRS-SAM POP-UP SPRAY HEAD WITH 15 SST NOZZLE
- RAINBIRD MODEL 182-FRS-SAM POP-UP SPRAY HEAD WITH 15 SERIES EST NOZZLE
- RAINBIRD PER SERIES VALVE, SIZED AS SHOWN
- 4" GATE VALVE
- 2" FEBCO 805 Y DOUBLE CHECK VALVE ASSEMBLY
- 2" WATER METER
- RAINBIRD 3RC QUICK COUPLER VALVE
- RAINBIRD 80C-SAT-B+SS SERIES, 24 STATION CONTROLLER/FIELD SATELLITE UNIT
- LATERAL LINE
- 2" MAIN LINE
- SCH 40 PVC SLEEVE



IRRIGATION NOTES

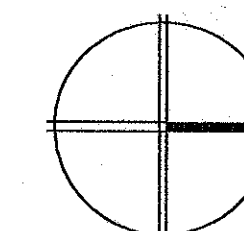
1. IRRIGATION PLAN IS SCHEMATIC. ALL PIPING, HEADS, VALVES, ETC. SHALL BE LOCATED AS SHOWN ON THE DETAILS. REPORT ANY DISCREPANCIES BETWEEN ACTUAL AND PROPOSED SITE CONDITIONS TO THE OWNER. DO NOT PROCEED WITH WORK UNTIL SAID DISCREPANCIES ARE RESOLVED.
2. VERIFY THAT THE WORK OF OTHER CONTRACTORS/TRADES IS SUFFICIENTLY COMPLETE TO ALLOW COMMENCEMENT OF IRRIGATION INSTALLATION PRIOR TO BEGINNING WORK. CONTRACTORS SHALL COORDINATE INSTALLATION OF ALL IRRIGATION SLEEVES UNDER PAVEMENT WITH OTHER CONTRACTORS.
3. COORDINATE IRRIGATION INSTALLATION WITH THE WORK OF OTHER CONTRACTORS/TRADES AND PROTECT THE WORK OF OTHER CONTRACTORS/TRADES. IRRIGATION CONTRACTOR IS RESPONSIBLE FOR ALL DAMAGES RESULTING FROM HIS ACTIONS.
4. ALL LATERAL PIPING TO BE PVC CLASS 20, SDR 21 WITH SOLVENT WELDED JOINTS, EXCEPT * PIPE WHICH SHALL BE CLASS 35, SDR 35. ALL MAIN LINE PIPE TO BE SCHEDULE 40 BELLED PVC. PUT NO MORE THAN 2 PIPES IN ANY ONE TRENCH.
5. REMOTE CONTROL WIRE TO BE UL APPROVED DIRECT BURIAL COPPER WIRE, AWG-14-600 VOLT. PLOT WIRE TO BE WHITE, WIRE TO BE NO SMALLER THAN 14 GAUGE. ALL RUNS OF WIRE TO BE CONTINUOUS WITH NO SPLICES (EXCEPT IN THE VALVE BOXES WHERE VALVES ARE LOCATED). ANYTIME WIRING CHANGES DIRECTION SUCH AS AT AN ELBOW OR TEE, ALLOW A LOOP OF 30 INCHES ALONGSIDE THE FITTING.
6. THE IRRIGATION CONTRACTOR SHALL PROVIDE THE OWNER WITH TWO COPIES OF THE PARTS LIST AND MANUFACTURER'S CATALOG SHOWING PERFORMANCE, QUALITY AND FUNCTION OF EACH ITEM OF EQUIPMENT IN THE SYSTEM. IN ADDITION, THE IRRIGATION CONTRACTOR SHALL PROVIDE THE OWNER WRITTEN INSTRUCTIONS FOR OPERATION AND MAINTENANCE OF THE SYSTEM.
7. PRIOR TO THE ACCEPTANCE OF IRRIGATION SYSTEM BY OWNER, A PERSON QUALIFIED TO REPRESENT THE IRRIGATION CONTRACTOR SHALL BE PRESENT AT THE FINAL INSPECTION TO DEMONSTRATE THE SYSTEM AND PROVE ITS PERFORMANCE. PRIOR TO THE INSPECTION, ALL WORK SHALL HAVE BEEN COMPLETED, TESTED, AND ADJUSTED AND PLACED IN OPERATION.
8. ALL WORK AND EQUIPMENT TO BE GUARANTEED FOR ONE YEAR FROM THE DATE OF ACCEPTANCE BY OWNER. A COPY OF THE GUARANTEE SHALL BE INCLUDED IN THE OPERATION MAINTENANCE INSTRUCTIONS.
9. IRRIGATION SYSTEM INSTALLATION TO BE PERFORMED IN ACCORDANCE WITH ALL PERTINENT CODES AND ORDINANCES.
10. NO PVC PIPING SHALL BE LOCATED UNDER TREE ROOTBALLS.
11. THE CONTRACTOR SHALL VERIFY LOCATION OF ALL UNDERGROUND UTILITIES PRIOR TO INSTALLATION. IF ANY UNDERGROUND OR ABOVE GROUND CONSTRUCTION IS LOCATED AS TO SIGNIFICANTLY HINDER INSTALLATION OR FUNCTION OF THE IRRIGATION SYSTEM, THE OWNER SHALL BE NOTIFIED IMMEDIATELY.
12. ALL VALVE COVERS, VAULT BOXES ECT. SHALL BE PLACED SO THE EDGES ARE PARALLEL OR PERPENDICULAR TO ADJACENT HARD EDGES. TOP OF ALL BOXES TO BE FLUSH WITH GRADE. TOP SURFACE OF BOXES SHALL BE INSTALLED SO THAT A SMOOTH SURFACE IS CREATED IN RELATION TO EXISTING GRADES.
13. ALL LATERALS SHALL BE INSTALLED WITH 12" MINIMUM COVERAGE OVER PIPES AT FINISH GRADE AND ALL MAIN LINES WITH AT LEAST 18" MINIMUM COVERAGE.
14. MAIN LINE PIPING AND LATERAL PIPING MAY BE PLACED IN SAME TRENCH WHEN POSSIBLE. MAIN LINE PIPING SHALL BE INSTALLED IN BOTTOM OF TRENCH WITH LATERALS ON TOP.
15. FITTINGS: NO CROSSES ARE PERMITTED. SEPARATE TEES AND/OR ELBOWS BY AT LEAST 12 INCHES. REDUCTION TEES ARE PREFERRED OVER THE USE OF REDUCER BUSHINGS. ONLY SPEARS OR LASCO ARE PERMITTED. ALLOW 25 INCHES OUTSIDE OF SLEEVE BEFORE FIRST FITTING.
16. USE KING CONNECTORS FOR ALL WIRE SPLICES. ALLOW AT LEAST 36 INCHES OF PIGTAILED WIRE AT EACH SPLICE. ALL VALVE SPLICES ARE TO BE HOUSED BY STANDARD LARGE RECTANGULAR PLASTIC VALVE BOXES. ALL FIELD SPLICES ARE TO BE IN 30 INCH ROUND PLASTIC VALVE BOXES.
17. UNDER MARSH LANE BID ALTERNATE AS FOR INCLUSION OF THE MAXIMUM JR. THE CCU UNIT WILL BE LOCATED AT THE ADDITION ATHLETIC CLUB CONNECTION BETWEEN THE CCU AND SATELLITE UNITS WILL BE VIA PHONE LINES LEASED FROM SOUTHWESTERN BELL.

SLEEVE SCHEDULE

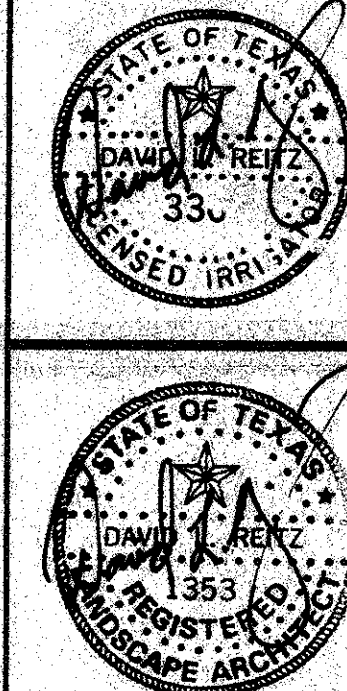
THE CONTRACTOR SHALL PROVIDE SLEEVES FOR ALL PIPING THAT OCCURS UNDER ANY PAVED SURFACE. THE MINIMUM SIZE OF SLEEVE IS AS FOLLOWS.

PIPE SIZE	FOR SLEEVE LENGTH UNDER 15'	FOR SLEEVE LENGTH OVER 15'
1/2"	1"	1 1/2"
3/4"	1 1/2"	2"
1"	2"	2 1/2"
1 1/4"	2 1/2"	3"
1 1/2"	3"	4"
2"	4"	6"
2 1/2"	6"	6"
3"	6"	6"
4"	8"	10"

ALL WIRING SLEEVES SHALL BE 4" DIAMETER.



Irriation Plan Area One

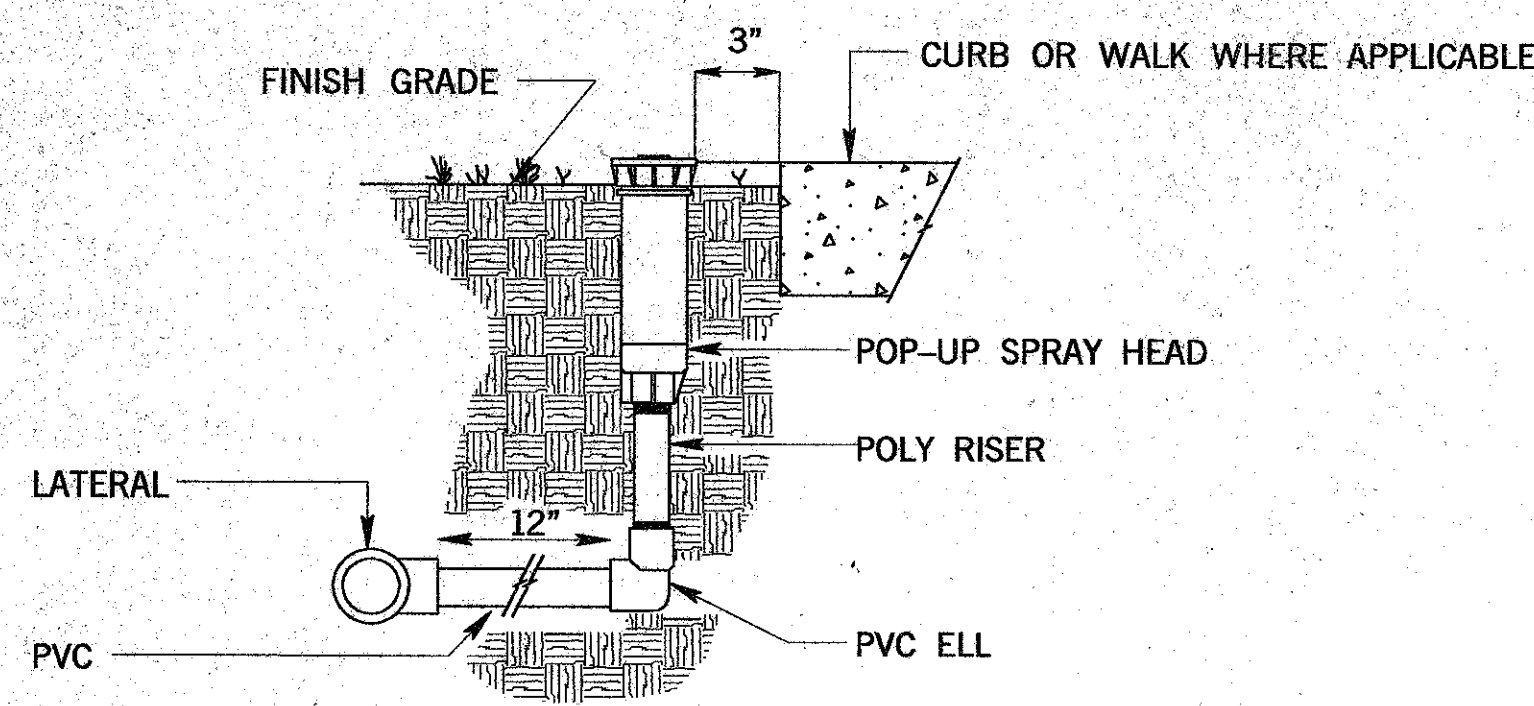


LES LACS LINEAR PARK

TOWN OF ADDISON PARKS & LEISURE SERVICES DEPARTMENT 16801 WESTGROVE ROAD ADDISON, TEXAS 75001 214 /450-2851
 7800 EMBROOK DRIVE SUITE 500 DALLAS, TEXAS 75247 - 4951
 (214) 638-9145 FAX (214) 638-0447

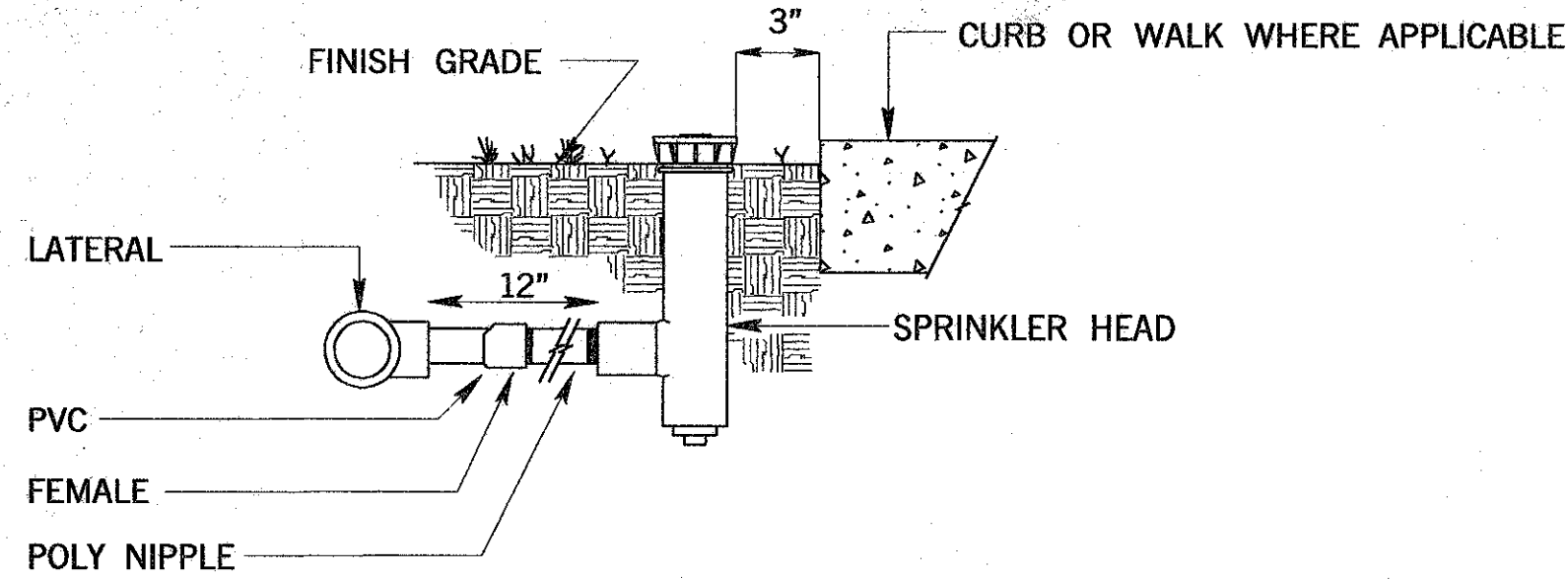


REVISIONS	JOB NUMBER 93324001D
DESIGNED SJA	DRAWN SJA
CHECKED DLR/EPG	ISSUE DATE August 18, 1994
SHEET NUMBER LI-11	



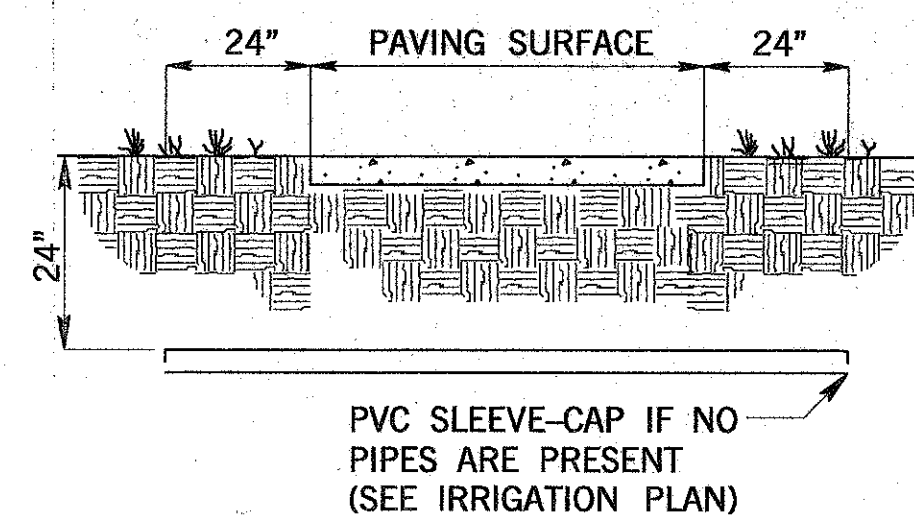
TURF POP-UP SPRAY AND ROTOR HEAD DETAIL

NOT TO SCALE



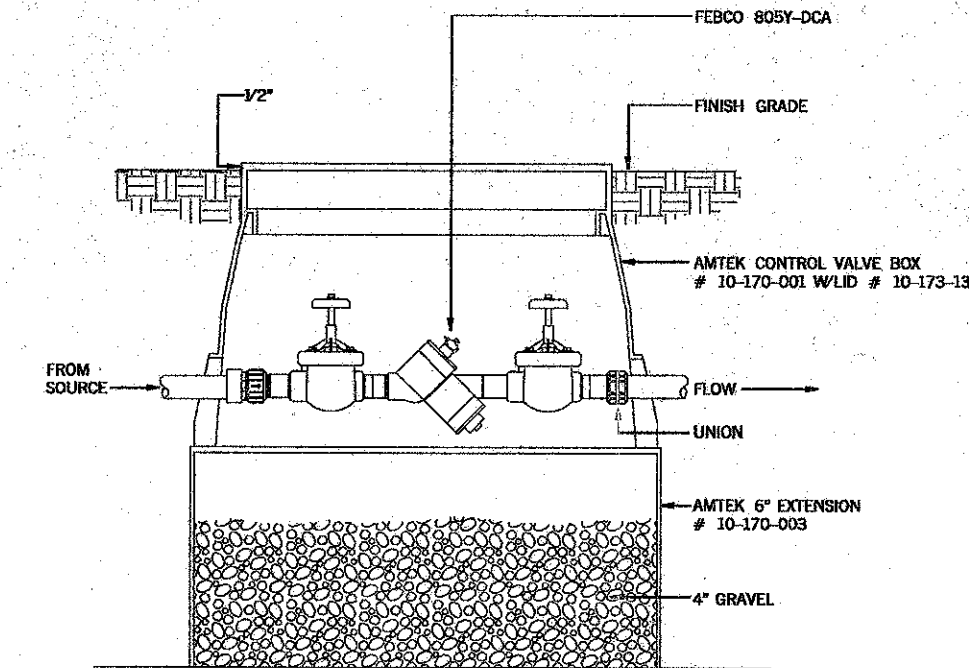
HIGH POP-UP SPRAY HEAD DETAIL

NOT TO SCALE



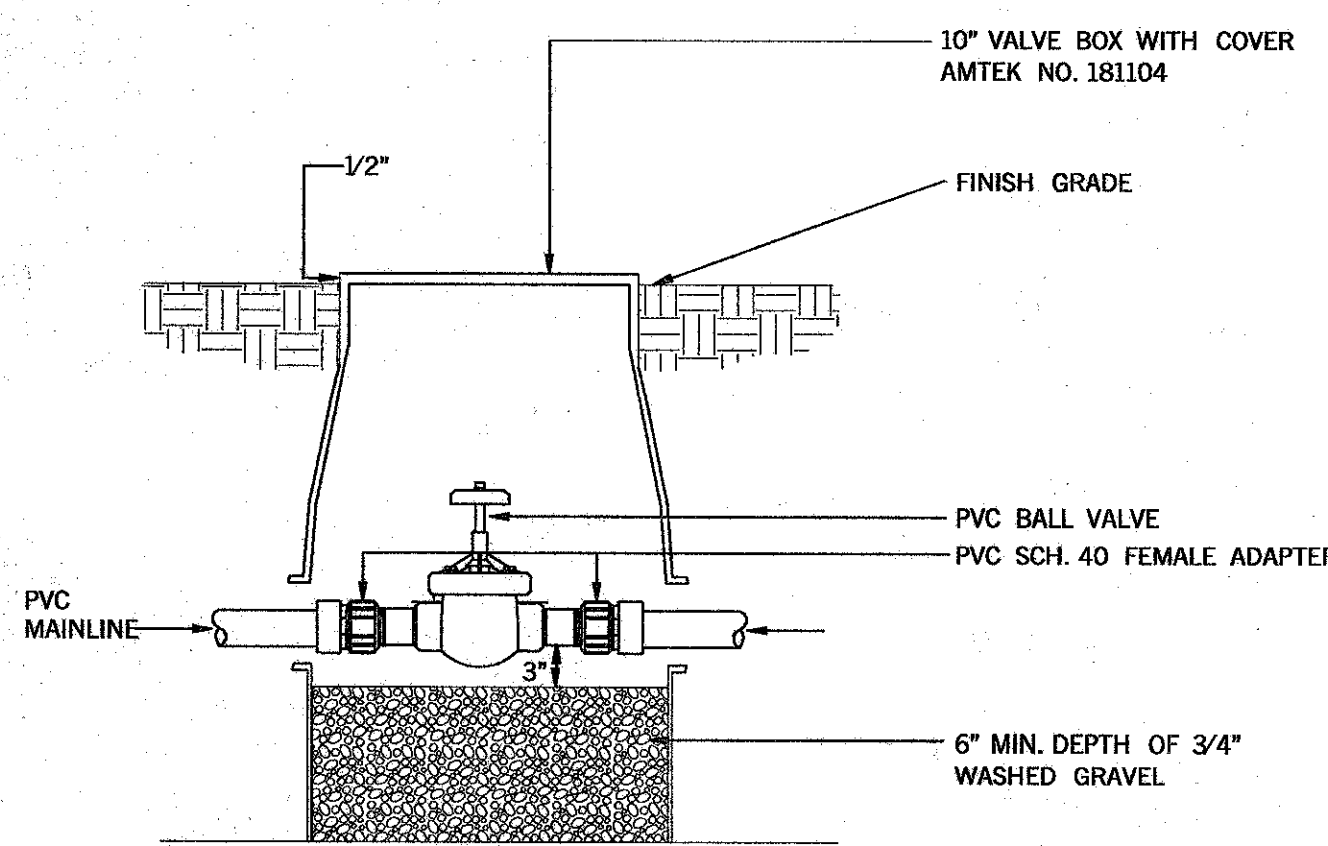
SLEEVE DETAIL

NOT TO SCALE



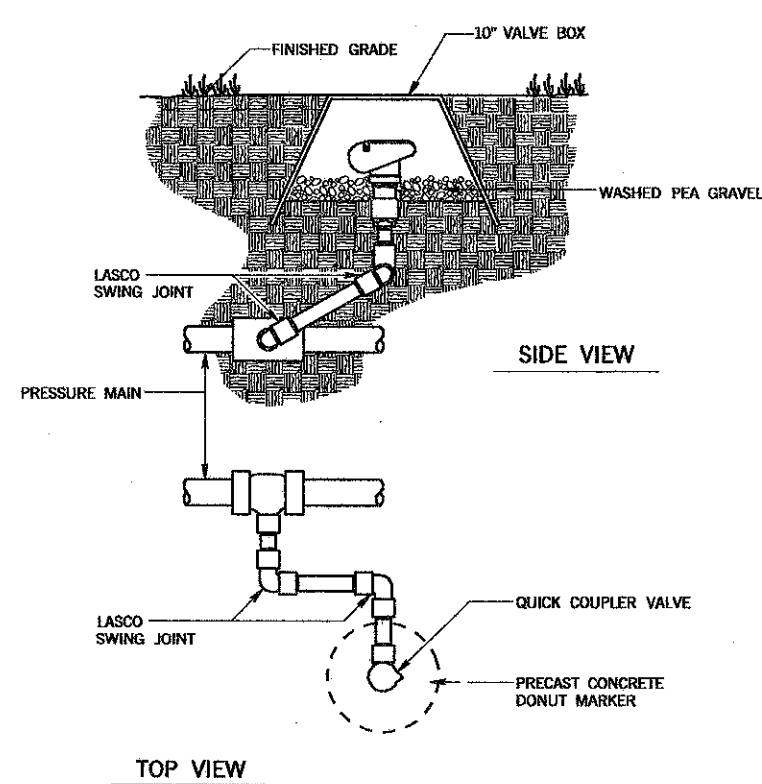
BACKFLOW PREVENTION DETAIL

NOT TO SCALE



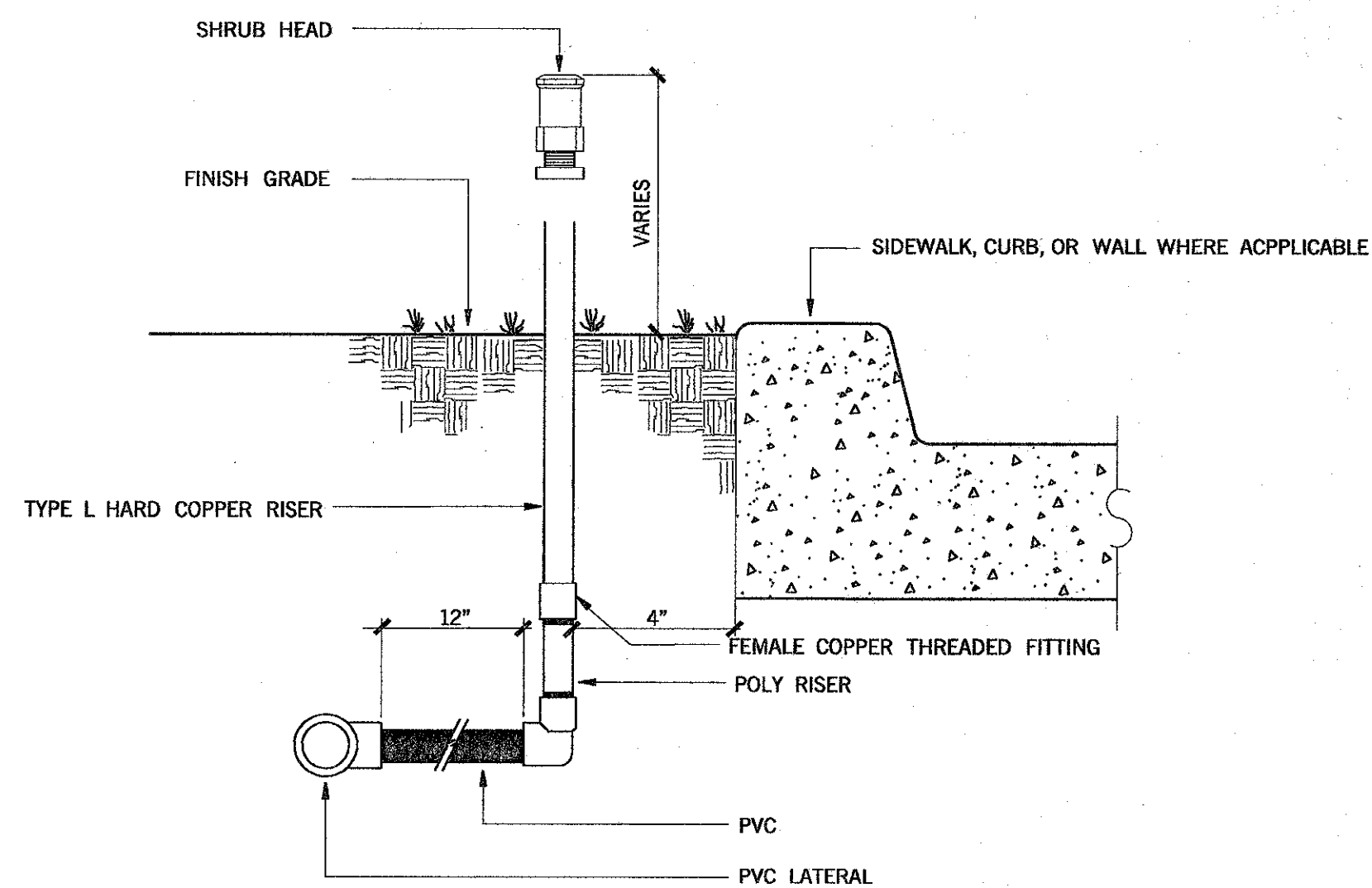
ISOLATION GATE VALVE DETAIL

NOT TO SCALE



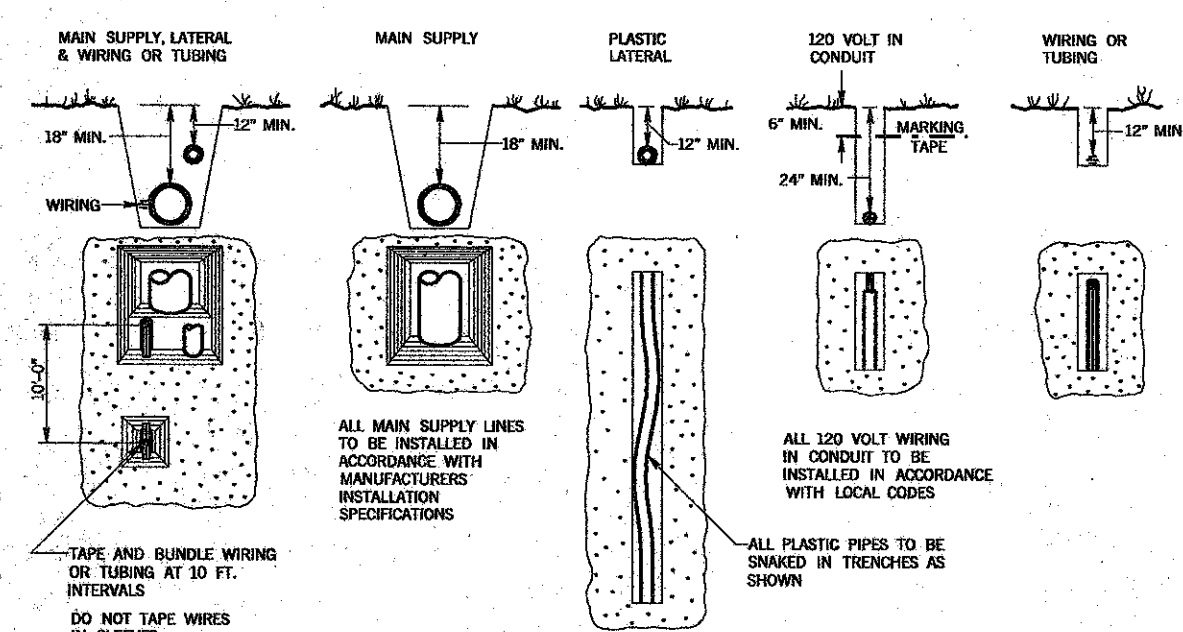
QUICK COUPLING VALVE DETAIL

NOT TO SCALE



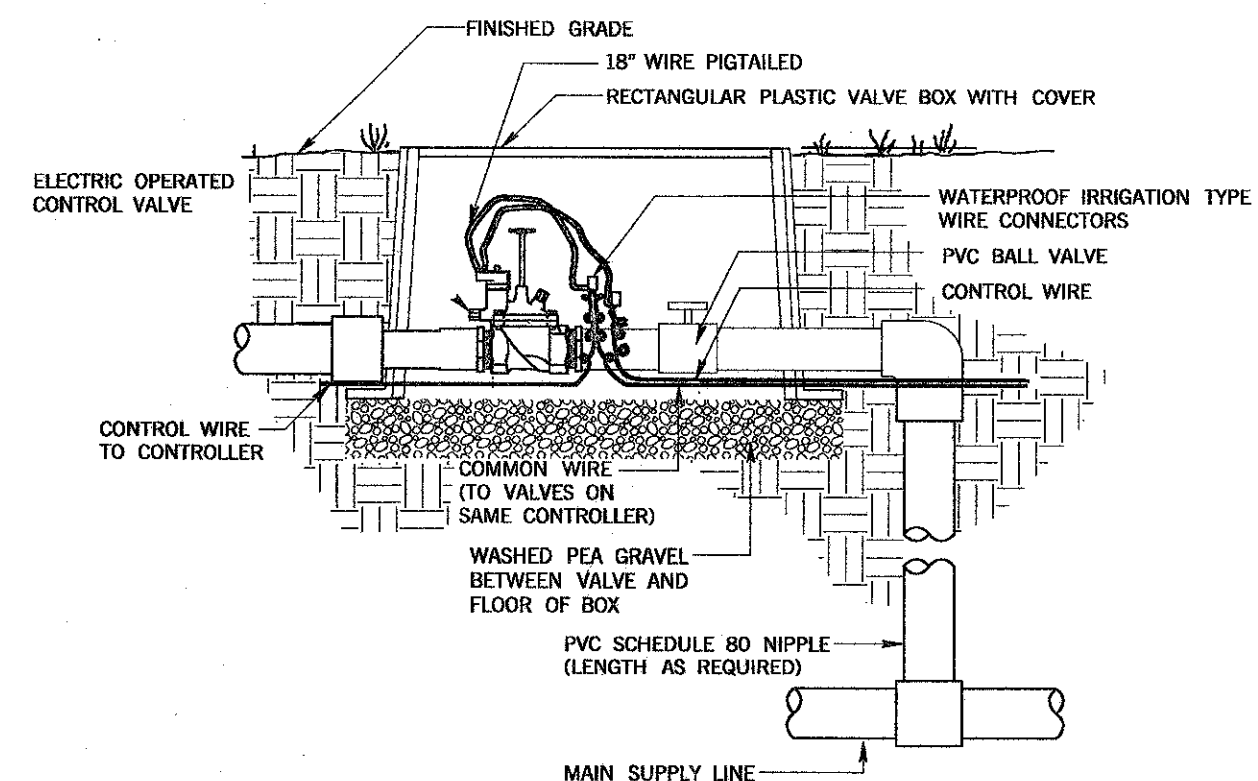
SHRUB HEAD DETAIL

NOT TO SCALE



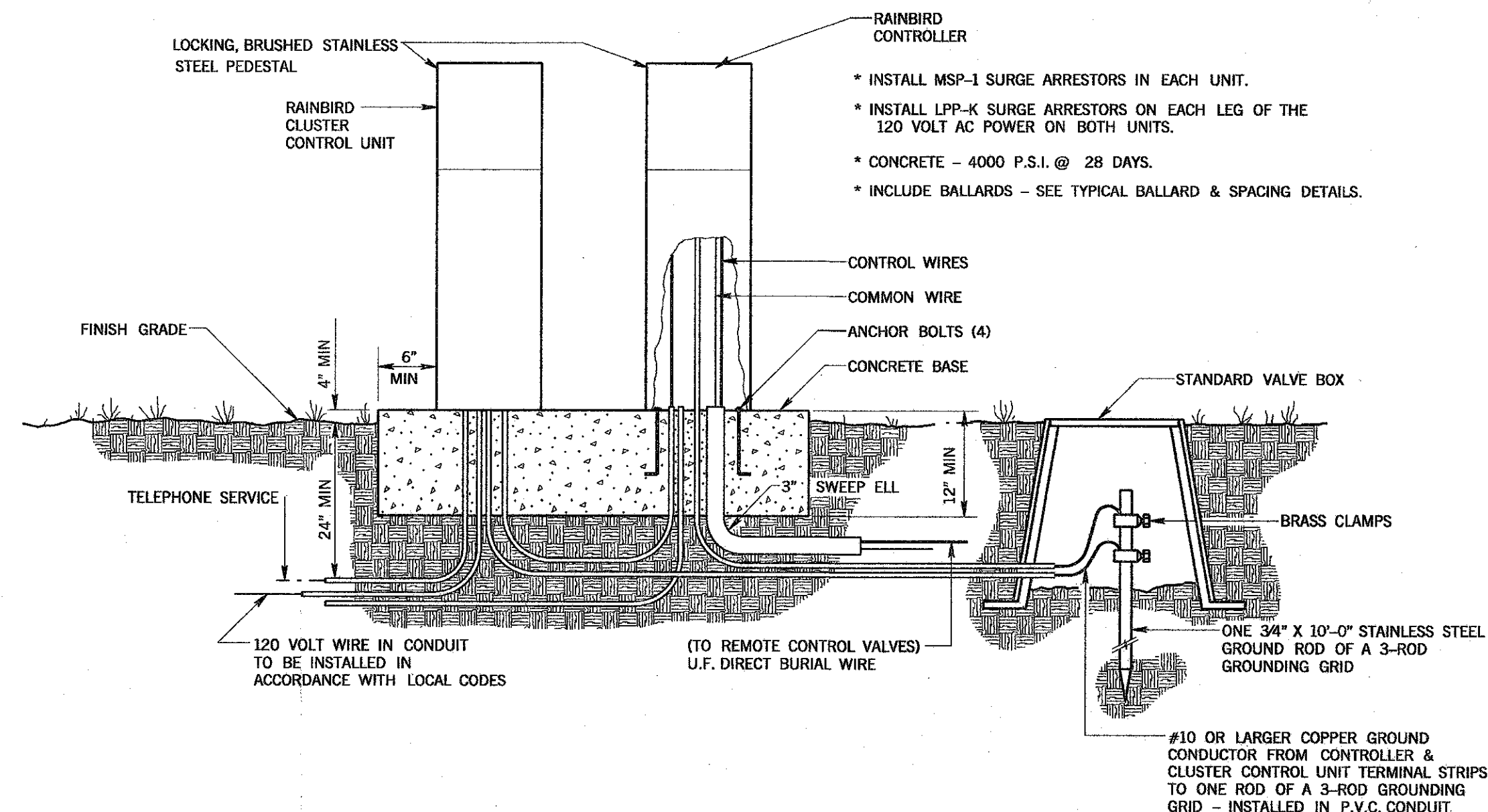
TRENCHING DETAILS

NOT TO SCALE



SOLENOID VALVE DETAIL

NOT TO SCALE



TYPICAL CONTROLLER & CL. CONTROL UNIT PAD DETAILS

NOT TO SCALE

33324001D (1) 18-21-14 1894
 DONALD LAMPSON 33324001D (1) 18-21-14 1894
 USER:ADAMS
 TBL=FAVPLT-TBL-PL-CLASS-TBL
 SCALE=1:1000000
 ROT=0, 3000000
 PLOT=FAVPLT (1) 18-21-14 1894
 PLOT=FAVPLT (1) 18-21-14 1894
 DONALD LAMPSON 33324001D (1) 18-21-14 1894
 USER:ADAMS



LES LACS LINEAR PARK

TOWN OF ADDISON PARKS & LEISURE SERVICES DEPARTMENT, 16801 WESTGROVE ROAD, ADDISON, TEXAS 75001 214/450-2851



790 BLAUNROCK DRIVE SUITE 200 DALLAS, TEXAS 75247 - 4901
(214) 638 0457 FAX (214) 638 0447

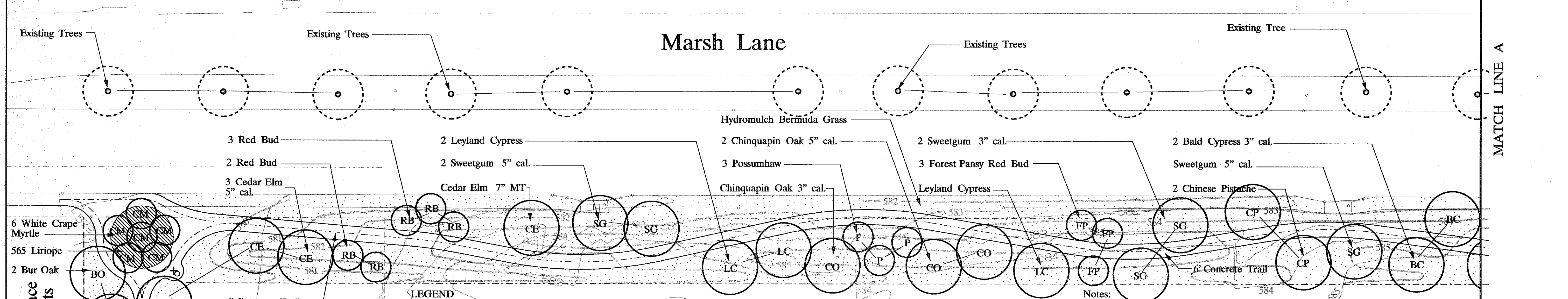
REVISIONS	
JOB NUMBER	93324001D
DESIGNED	SLA
DRAWN	SLA
CHECKED	DLR/ALPO
ISSUE DATE	August 18, 1994
SHEET NUMBER	LI-1.10

(C) BIRNBAUM LANDPLAN 93324001D 24018003.DGN - LDC=LAJ - DWG=1-18, 10-13, 16-43
 (C) BIRNBAUM LANDPLAN 93324001D 24018003.DGN - LDC=CONTRD - DWG=1-4, 6-9, 11-14, 16-18, 20-21, 23-24, 26-29, 31-32, 34-41, 43-45, 47-49, 51-53, 55-58, 60-61, 63-64, 66-69, 71-74, 76-79, 81-84, 86-89, 91-94, 96-99, 101-104, 106-109, 111-114, 116-119, 121-124, 126-129, 131-134, 136-139, 141-144, 146-149, 151-154, 156-159, 161-164, 166-169, 171-174, 176-179, 181-184, 186-189, 191-194, 196-199, 201-204, 206-209, 211-214, 216-219, 221-224, 226-229, 231-234, 236-239, 241-244, 246-249, 251-254, 256-259, 261-264, 266-269, 271-274, 276-279, 281-284, 286-289, 291-294, 296-299, 301-304, 306-309, 311-314, 316-319, 321-324, 326-329, 331-334, 336-339, 341-344, 346-349, 351-354, 356-359, 361-364, 366-369, 371-374, 376-379, 381-384, 386-389, 391-394, 396-399, 401-404, 406-409, 411-414, 416-419, 421-424, 426-429, 431-434, 436-439, 441-444, 446-449, 451-454, 456-459, 461-464, 466-469, 471-474, 476-479, 481-484, 486-489, 491-494, 496-499, 501-504, 506-509, 511-514, 516-519, 521-524, 526-529, 531-534, 536-539, 541-544, 546-549, 551-554, 556-559, 561-564, 566-569, 571-574, 576-579, 581-584, 586-589, 591-594, 596-599, 601-604, 606-609, 611-614, 616-619, 621-624, 626-629, 631-634, 636-639, 641-644, 646-649, 651-654, 656-659, 661-664, 666-669, 671-674, 676-679, 681-684, 686-689, 691-694, 696-699, 701-704, 706-709, 711-714, 716-719, 721-724, 726-729, 731-734, 736-739, 741-744, 746-749, 751-754, 756-759, 761-764, 766-769, 771-774, 776-779, 781-784, 786-789, 791-794, 796-799, 801-804, 806-809, 811-814, 816-819, 821-824, 826-829, 831-834, 836-839, 841-844, 846-849, 851-854, 856-859, 861-864, 866-869, 871-874, 876-879, 881-884, 886-889, 891-894, 896-899, 901-904, 906-909, 911-914, 916-919, 921-924, 926-929, 931-934, 936-939, 941-944, 946-949, 951-954, 956-959, 961-964, 966-969, 971-974, 976-979, 981-984, 986-989, 991-994, 996-999, 1001-1004, 1006-1009, 1011-1014, 1016-1019, 1021-1024, 1026-1029, 1031-1034, 1036-1039, 1041-1044, 1046-1049, 1051-1054, 1056-1059, 1061-1064, 1066-1069, 1071-1074, 1076-1079, 1081-1084, 1086-1089, 1091-1094, 1096-1099, 1101-1104, 1106-1109, 1111-1114, 1116-1119, 1121-1124, 1126-1129, 1131-1134, 1136-1139, 1141-1144, 1146-1149, 1151-1154, 1156-1159, 1161-1164, 1166-1169, 1171-1174, 1176-1179, 1181-1184, 1186-1189, 1191-1194, 1196-1199, 1201-1204, 1206-1209, 1211-1214, 1216-1219, 1221-1224, 1226-1229, 1231-1234, 1236-1239, 1241-1244, 1246-1249, 1251-1254, 1256-1259, 1261-1264, 1266-1269, 1271-1274, 1276-1279, 1281-1284, 1286-1289, 1291-1294, 1296-1299, 1301-1304, 1306-1309, 1311-1314, 1316-1319, 1321-1324, 1326-1329, 1331-1334, 1336-1339, 1341-1344, 1346-1349, 1351-1354, 1356-1359, 1361-1364, 1366-1369, 1371-1374, 1376-1379, 1381-1384, 1386-1389, 1391-1394, 1396-1399, 1401-1404, 1406-1409, 1411-1414, 1416-1419, 1421-1424, 1426-1429, 1431-1434, 1436-1439, 1441-1444, 1446-1449, 1451-1454, 1456-1459, 1461-1464, 1466-1469, 1471-1474, 1476-1479, 1481-1484, 1486-1489, 1491-1494, 1496-1499, 1501-1504, 1506-1509, 1511-1514, 1516-1519, 1521-1524, 1526-1529, 1531-1534, 1536-1539, 1541-1544, 1546-1549, 1551-1554, 1556-1559, 1561-1564, 1566-1569, 1571-1574, 1576-1579, 1581-1584, 1586-1589, 1591-1594, 1596-1599, 1601-1604, 1606-1609, 1611-1614, 1616-1619, 1621-1624, 1626-1629, 1631-1634, 1636-1639, 1641-1644, 1646-1649, 1651-1654, 1656-1659, 1661-1664, 1666-1669, 1671-1674, 1676-1679, 1681-1684, 1686-1689, 1691-1694, 1696-1699, 1701-1704, 1706-1709, 1711-1714, 1716-1719, 1721-1724, 1726-1729, 1731-1734, 1736-1739, 1741-1744, 1746-1749, 1751-1754, 1756-1759, 1761-1764, 1766-1769, 1771-1774, 1776-1779, 1781-1784, 1786-1789, 1791-1794, 1796-1799, 1801-1804, 1806-1809, 1811-1814, 1816-1819, 1821-1824, 1826-1829, 1831-1834, 1836-1839, 1841-1844, 1846-1849, 1851-1854, 1856-1859, 1861-1864, 1866-1869, 1871-1874, 1876-1879, 1881-1884, 1886-1889, 1891-1894, 1896-1899, 1901-1904, 1906-1909, 1911-1914, 1916-1919, 1921-1924, 1926-1929, 1931-1934, 1936-1939, 1941-1944, 1946-1949, 1951-1954, 1956-1959, 1961-1964, 1966-1969, 1971-1974, 1976-1979, 1981-1984, 1986-1989, 1991-1994, 1996-1999, 2001-2004, 2006-2009, 2011-2014, 2016-2019, 2021-2024, 2026-2029, 2031-2034, 2036-2039, 2041-2044, 2046-2049, 2051-2054, 2056-2059, 2061-2064, 2066-2069, 2071-2074, 2076-2079, 2081-2084, 2086-2089, 2091-2094, 2096-2099, 2101-2104, 2106-2109, 2111-2114, 2116-2119, 2121-2124, 2126-2129, 2131-2134, 2136-2139, 2141-2144, 2146-2149, 2151-2154, 2156-2159, 2161-2164, 2166-2169, 2171-2174, 2176-2179, 2181-2184, 2186-2189, 2191-2194, 2196-2199, 2201-2204, 2206-2209, 2211-2214, 2216-2219, 2221-2224, 2226-2229, 2231-2234, 2236-2239, 2241-2244, 2246-2249, 2251-2254, 2256-2259, 2261-2264, 2266-2269, 2271-2274, 2276-2279, 2281-2284, 2286-2289, 2291-2294, 2296-2299, 2301-2304, 2306-2309, 2311-2314, 2316-2319, 2321-2324, 2326-2329, 2331-2334, 2336-2339, 2341-2344, 2346-2349, 2351-2354, 2356-2359, 2361-2364, 2366-2369, 2371-2374, 2376-2379, 2381-2384, 2386-2389, 2391-2394, 2396-2399, 2401-2404, 2406-2409, 2411-2414, 2416-2419, 2421-2424, 2426-2429, 2431-2434, 2436-2439, 2441-2444, 2446-2449, 2451-2454, 2456-2459, 2461-2464, 2466-2469, 2471-2474, 2476-2479, 2481-2484, 2486-2489, 2491-2494, 2496-2499, 2501-2504, 2506-2509, 2511-2514, 2516-2519, 2521-2524, 2526-2529, 2531-2534, 2536-2539, 2541-2544, 2546-2549, 2551-2554, 2556-2559, 2561-2564, 2566-2569, 2571-2574, 2576-2579, 2581-2584, 2586-2589, 2591-2594, 2596-2599, 2601-2604, 2606-2609, 2611-2614, 2616-2619, 2621-2624, 2626-2629, 2631-2634, 2636-2639, 2641-2644, 2646-2649, 2651-2654, 2656-2659, 2661-2664, 2666-2669, 2671-2674, 2676-2679, 2681-2684, 2686-2689, 2691-2694, 2696-2699, 2701-2704, 2706-2709, 2711-2714, 2716-2719, 2721-2724, 2726-2729, 2731-2734, 2736-2739, 2741-2744, 2746-2749, 2751-2754, 2756-2759, 2761-2764, 2766-2769, 2771-2774, 2776-2779, 2781-2784, 2786-2789, 2791-2794, 2796-2799, 2801-2804, 2806-2809, 2811-2814, 2816-2819, 2821-2824, 2826-2829, 2831-2834, 2836-2839, 2841-2844, 2846-2849, 2851-2854, 2856-2859, 2861-2864, 2866-2869, 2871-2874, 2876-2879, 2881-2884, 2886-2889, 2891-2894, 2896-2899, 2901-2904, 2906-2909, 2911-2914, 2916-2919, 2921-2924, 2926-2929, 2931-2934, 2936-2939, 2941-2944, 2946-2949, 2951-2954, 2956-2959, 2961-2964, 2966-2969, 2971-2974, 2976-2979, 2981-2984, 2986-2989, 2991-2994, 2996-2999, 3001-3004, 3006-3009, 3011-3014, 3016-3019, 3021-3024, 3026-3029, 3031-3034, 3036-3039, 3041-3044, 3046-3049, 3051-3054, 3056-3059, 3061-3064, 3066-3069, 3071-3074, 3076-3079, 3081-3084, 3086-3089, 3091-3094, 3096-3099, 3101-3104, 3106-3109, 3111-3114, 3116-3119, 3121-3124, 3126-3129, 3131-3134, 3136-3139, 3141-3144, 3146-3149, 3151-3154, 3156-3159, 3161-3164, 3166-3169, 3171-3174, 3176-3179, 3181-3184, 3186-3189, 3191-3194, 3196-3199, 3201-3204, 3206-3209, 3211-3214, 3216-3219, 3221-3224, 3226-3229, 3231-3234, 3236-3239, 3241-3244, 3246-3249, 3251-3254, 3256-3259, 3261-3264, 3266-3269, 3271-3274, 3276-3279, 3281-3284, 3286-3289, 3291-3294, 3296-3299, 3301-3304, 3306-3309, 3311-3314, 3316-3319, 3321-3324, 3326-3329, 3331-3334, 3336-3339, 3341-3344, 3346-3349, 3351-3354, 3356-3359, 3361-3364, 3366-3369, 3371-3374, 3376-3379, 3381-3384, 3386-3389, 3391-3394, 3396-3399, 3401-3404, 3406-3409, 3411-3414, 3416-3419, 3421-3424, 3426-3429, 3431-3434, 3436-3439, 3441-3444, 3446-3449, 3451-3454, 3456-3459, 3461-3464, 3466-3469, 3471-3474, 3476-3479, 3481-3484, 3486-3489, 3491-3494, 3496-3499, 3501-3504, 3506-3509, 3511-3514, 3516-3519, 3521-3524, 3526-3529, 3531-3534, 3536-3539, 3541-3544, 3546-3549, 3551-3554, 3556-3559, 3561-3564, 3566-3569, 3571-3574, 3576-3579, 3581-3584, 3586-3589, 3591-3594, 3596-3599, 3601-3604, 3606-3609, 3611-3614, 3616-3619, 3621-3624, 3626-3629, 3631-3634, 3636-3639, 3641-3644, 3646-3649, 3651-3654, 3656-3659, 3661-3664, 3666-3669, 3671-3674, 3676-3679, 3681-3684, 3686-3689, 3691-3694, 3696-3699, 3701-3704, 3706-3709, 3711-3714, 3716-3719, 3721-3724, 3726-3729, 3731-3734, 3736-3739, 3741-3744, 3746-3749, 3751-3754, 3756-3759, 3761-3764, 3766-3769, 3771-3774, 3776-3779, 3781-3784, 3786-3789, 3791-3794, 3796-3799, 3801-3804, 3806-3809, 3811-3814, 3816-3819, 3821-3824, 3826-3829, 3831-3834, 3836-3839, 3841-3844, 3846-3849, 3851-3854, 3856-3859, 3861-3864, 3866-3869, 3871-3874, 3876-3879, 3881-3884, 3886-3889, 3891-3894, 3896-3899, 3901-3904, 3906-3909, 3911-3914, 3916-3919, 3921-3924, 3926-3929, 3931-3934, 3936-3939, 3941-3944, 3946-3949, 3951-3954, 3956-3959, 3961-3964, 3966-3969, 3971-3974, 3976-3979, 3981-3984, 3986-3989, 3991-3994, 3996-3999, 4001-4004, 4006-4009, 4011-4014, 4016-4019, 4021-4024, 4026-4029, 4031-4034, 4036-4039, 4041-4044, 4046-4049, 4051-4054, 4056-4059, 4061-4064, 4066-4069, 4071-4074, 4076-4079, 4081-4084, 4086-4089, 4091-4094, 4096-4099, 4101-4104, 4106-4109, 4111-4114, 4116-4119, 4121-4124, 4126-4129, 4131-4134, 4136-4139, 4141-4144, 4146-4149, 4151-4154, 4156-4159, 4161-4164, 4166-4169, 4171-4174, 4176-4179, 4181-4184, 4186-4189, 4191-4194, 4196-4199, 4201-4204, 4206-4209, 4211-4214, 4216-4219, 4221-4224, 4226-4229, 4231-4234, 4236-4239, 4241-4244, 4246-4249, 4251-4254, 4256-4259, 4261-4264, 4266-4269, 4271-4274, 4276-4279, 4281-4284, 4286-4289, 4291-4294, 4296-4299, 4301-4304, 4306-4309, 4311-4314, 4316-4319, 4321-4324, 4326-4329, 4331-4334, 4336-4339, 4341-4344, 4346-4349, 4351-4354, 4356-4359, 4361-4364, 4366-4369, 4371-4374, 4376-4379, 4381-4384, 4386-4389, 4391-4394, 4396-4399, 4401-4404, 4406-4409, 4411-4414, 4416-4419, 4421-4424, 4426-4429, 4431-4434, 4436-4439, 4441-4444, 4446-4449, 4451-4454, 4456-4459, 4461-4464, 4466-4469, 4471-4474, 4476-4479, 4481-4484, 4486-4489, 4491-4494, 4496-4499, 4501-4504, 4506-4509, 4511-4514, 4516-4519, 4521-4524, 4526-4529, 4531-4534, 4536-4539, 4541-4544, 4546-4549, 4551-4554, 4556-4559, 4561-4564, 4566-4569, 4571-4574, 4576-4579, 4581-4584, 4586-4589, 4591-4594, 4596-4599, 4601-4604, 4606-4609, 4611-4614, 4616-4619, 4621-4624, 4626-4629, 4631-4634, 4636-4639, 4641-4644, 4646-4649, 4651-4654, 4656-4659, 4661-4664, 4666-4669, 4671-4674, 4676-4679, 4681-4684, 4686-4689, 4691-4694, 4696-4699, 4701-4704, 4706-4709, 4711-4714, 4716-4719, 4721-4724, 4726-4729, 4731-4734, 4736-4739, 4741-4744, 4746-4749, 4751-4754, 4756-4759, 4761-4764, 4766-4769, 4771-4774, 4776-4779, 4781-4784, 4786-4789, 4791-4794, 4796-4799, 4801-4804, 4806-4809, 4811-4814, 4816-4819, 4821-4824, 4826-4829, 4831-4834, 4836-4839, 4841-4844, 4846-4849, 4851-4854, 4856-4859, 4861-4864, 4866-4869, 4871-4874, 4876-4879, 4881-4884, 4886-4889, 4891-4894, 4896-4899, 4901-4904, 4906-4909, 4911-4914, 4916-4919, 4921-4924, 4926-4929, 4931-4934, 4936-4939, 4941-4944, 4946-4949, 4951-4954, 4956-4959, 4961-4964, 4966-4969, 4971-4974, 4976-4979, 4981-4984, 4986-4989, 4991-4994, 4996-4999, 5001-5004, 5006-5009, 5011-5014, 5016-5019, 5021-5024, 5026-5029, 5031-5034, 5036-5039, 5041-5044, 5046-5049, 5051-5054, 5056-5059, 5061-5064, 5066-5069, 5071-5074, 5076-5079, 5081-5084, 5086-5089, 5091-5094, 5096-5099, 5101-5104, 5106-5109, 5111-5114, 5116-5119, 5121-5124, 5126-5129, 5131-5134, 5136-5139, 5141-5144, 5146-5149, 5151-5154, 5156-5159, 5161-5164, 5166-5169, 5171-5174, 5176-5179, 5181-5184, 5186-5189, 5191-5194, 5196-5199, 5201-5204, 5206-5209, 5211-5214, 5216-5219, 5221-5224, 5226-5229, 5231-5234, 5236-5239, 5241-5244, 5246-5249, 5251-5254, 5256-5259, 5261-5264, 5266-5269, 5271-5274, 5276-5279, 5281-5284, 5286-5289, 5291-5294, 5296-5299, 5301-5304, 5306-5309, 5311-5314, 5316-5319, 5321-5324, 5326-5329, 5331-5334, 5336-5339, 5341-5344, 5346-5349, 5351-5354, 5356-5359, 5361-5364, 5366-5369, 5371-5374, 5376-5379, 5381-5384, 5386-5389, 5391-5394, 5396-5399, 5401-5404, 5406-5409, 5411-5414, 5416-5419, 5421-5424, 5426-5429, 5431-5434, 5436-5439, 5441-5444, 5446-5449, 5451-5454, 5456-5459, 5461-5464, 5466-5469, 5471-5474, 5476-5479, 5481-5484, 5486-5489, 5491-5494, 5496-5499, 5501-5504, 5506-5509, 5511-5514, 5516-5519, 5521-5524, 5526-5529, 5531-5534, 5536-5539, 5541-5544, 5546-5549, 5551-5554, 5556-5559, 5561-5564, 5566-5569, 5571-5574, 5576-5579, 5581-5584, 5586-5589, 5591-5594, 5596-5599, 5601-5604, 5606-5609, 5611-5614, 5616-5619, 5621-5624, 5626-5629, 5631-5634, 5636-5639, 5641-5644, 5646-5649, 5651-5654, 5656-5659, 5661-5664, 5666-5669, 5671-5674, 5676-5679, 5681-5684, 5686-5689, 5691-5694, 5696-5699, 5701-5704, 5706-5709, 5711-5714, 5716-5719, 5721-5724, 5726-5729, 5731-5734, 5736-5739, 5741-5744, 5746-5749, 5751-5754

PLANT LIST

Quantity	Common Name	Botanical Name	Size	Condition	Remarks
Canopy Trees					
7	Aristocrat Pear	Pyrus calleryana 'Aristocrat'	3" cal.	B & B	Single Straight Leader, 10'-12' Ht., 6' Spr., Full Crown
6	Aristocrat Pear	Pyrus calleryana 'Aristocrat'	5" cal.	B & B	Single Straight Leader, 14'-16' Ht., 8' Spr., Full Crown
7	Bald Cypress	Taxodium distichum	3" cal.	B & B	Single Straight Leader, 10'-12' Ht., 6' Spr., Full Crown
13	Bald Cypress	Taxodium distichum	5" cal.	B & B	Single Straight Leader, 14'-16' Ht., 8' Spr., Full Crown
8	Bur Oak	Quercus macrocarpa	4" cal.	B & B	Single Straight Leader, 12'-14' Ht., 6' Spr., Full Crown
6	Cedar Elm	Ulmus crassifolia	3" cal.	B & B	Single Straight Leader, 10'-12' Ht., 6' Spr., Full Crown
5	Cedar Elm	Ulmus crassifolia	5" cal.	B & B	Single Straight Leader, 14'-16' Ht., 8' Spr., Full Crown
3	Cedar Elm	Ulmus crassifolia	7" cal.	B & B	Multi-Trunk, 14'-16' Ht., 10' Spr., Full Crown
8	Chinquapin Oak	Quercus muhlenbergii	3" cal.	B & B	Single Straight Leader, 10'-12' Ht., 6' Spr., Full Crown
7	Chinquapin Oak	Quercus muhlenbergii	5" cal.	B & B	Single Straight Leader, 14'-16' Ht., 8' Spr., Full Crown
6	Chinese Pistache	Pistacia chinensis	4" cal.	B & B	Single Straight Leader, 14'-16' Ht., 8' Spr., Full Crown
5	Leyland Cypress	Cupressocyparis leylandii	3" cal.	B & B	Single Straight Leader, 10'-12' Ht., 6' Spr., Full to Ground
5	Live Oak	Quercus virginiana	3" cal.	B & B	Single Straight Leader, 10'-12' Ht., 6' Spr., Full Crown
6	Live Oak	Quercus virginiana	5" cal.	B & B	Single Straight Leader, 14'-16' Ht., 8' Spr., Full Crown
6	Live Oak	Quercus virginiana	7" cal.	B & B	Multi-Trunk, 14'-16' Ht., 10' Spr., Full Crown
2	Red Oak	Quercus shumardii	3" cal.	B & B	Single Straight Leader, 10'-12' Ht., 6' Spr., Full Crown
6	Red Oak	Quercus shumardii	5" cal.	B & B	Single Straight Leader, 14'-16' Ht., 8' Spr., Full Crown
3	Red Oak	Quercus shumardii	7" cal.	B & B	Multi-Trunk, 14'-16' Ht., 10' Spr., Full Crown
6	Sweetgum	Liquidambar styraciflua 'Burgandy'	3" cal.	B & B	Single Straight Leader, 10'-12' Ht., 6' Spr., Full Crown
10	Sweetgum	Liquidambar styraciflua 'Burgandy'	5" cal.	B & B	Single Straight Leader, 14'-16' Ht., 8' Spr., Full Crown
Ornamental Trees					
43	Crape Myrtle- White	Lagerstroemia indica 'Natchez'	10'-12' ht.	B & B	Multi-trunk, Matched, 5' Spr., Full Crown, 7 Cane Min.
1	Crape Myrtle- Pink	Lagerstroemia indica	10'-12' ht.	B & B	Multi-trunk, 5' Spr., Full Crown, 7 Cane Min.
13	Crape Myrtle- Red	Lagerstroemia indica 'Tuscarora'	10'-12' ht.	B & B	Multi-trunk, Matched, 5' Spr., Full Crown, 7 Cane Min.
19	Eve's Necklace	Sophora affinis	8'-10' ht.	B & B	Multi-trunk, 4' Spr., Full Crown, 5 Cane Min.
20	Forest Pansy Red Bud	Cercis canadensis 'Forest Pansy'	8'-10' ht.	B & B	Single Trunk, 4' Spr., Full Crown
27	Mexican Plum	Prunus mexicana	8'-10' ht.	B & B	Single Trunk, 5' Spr., Full Crown
31	Possumhaw	Ilex decidua	8'-10' ht.	B & B	Single Trunk, Female, 4' Spr. Full Crown
36	Red Bud	Cercis canadensis 'Oklahoma'	8'-10' ht.	B & B	Single Trunk, 4' Spr. Full Crown
6	Wax Myrtle	Myrica cerifera	8'-10' ht.	B & B	Multi-trunk, Matched, 4' Spr., Full Crown, 5 Cane Min.
21	Yaupon Holly	Ilex vomitoria	8'-10' ht.	B & B	Multi-trunk, 4' Spr., Full Crown, 5 Cane Min.

Quantity	Common Name	Botanical Name	Size	Remarks
Shrubs & Vines				
423	Dwarf Abelia	Abelia grandiflora 'Edward Goucher'	5 gal.	3' o.c., 18" ht., 18" spr., Full
442	Dwarf Burford Holly	Ilex cornuta 'Burfordii Nana'	5 gal.	3' o.c., 18" ht., 18" spr., Full
88	Dwarf Crape Myrtle	Lagerstroemia indica 'Baton Rouge'	1 gal.	2' o.c., 24" ht., 18" spr., Full
267	Dwarf Indian Hawthorn	Raphiolepis indica 'Enchantress'	5 gal.	2' o.c., 15" ht., 15" spr., Full
66	Dwarf Wax Myrtle	Myrica pusilla	5 gal.	2' o.c., 15" ht., 15" spr., Full
21	Foster's Holly	Ilex x attenuata 'Fosteri'	30 gal.	6' o.c., 6" ht., 5" spr., Full to Ground, Matched
47	Hamel Grass	Pennisetum alopecuroides 'Hamel'	5 gal.	2' o.c., 24" ht., 18" spr., Full
18	Miscanthus	Miscanthus sinensis 'Gracillimus'	5 gal.	5' o.c., 30" ht., 24" spr., Full
172	Nellie R. Stevens Holly	Ilex cornuta 'Nellie R. Stevens'	5 gal.	4' o.c., 36" ht., 36" spr., Full
14	Red Yucca	Hesperaloe parvifolia	5 gal.	3' o.c., 24" ht., 18" spr., Full
Groundcover & Seasonal Color				
555	Annuals	To be determined	4" pot	12" o.c., Full
498	Juniper	Juniperus horizontalis 'Bar Harbor'	1 gal.	12" o.c., Full
5974	Liriope	Liriope muscari 'Big Blue'	4" pot	12" o.c., Full
4000	Purple Wintercreeper	Euonymus fortunei 'Coloratus'	4" pot	12" o.c., 5' 8" Runner Min., Full
Perennials				
70	Black-Eyed Susan	Rudbeckia fulgida 'Goldsturm'	5" pot	18" o.c., Full
70	Gayfeather	Liatris spicata 'Kobold'	1 gal.	18" o.c., Full
34	Gregg Salvia	Salvia greggii 'Autumn Sage'	1 gal.	18" o.c., Full
83	Lantana	Lantana horrida 'Confetti'	4" pot	18" o.c., Full
55	Lythrum	Lythrum salicaria 'Morden's Pink'	1 gal.	24" o.c., Full
22	Mealy Sage - Blue	Salvia farinacea 'Victoria Blue'	1 gal.	18" o.c., Full
22	Mealy Sage - White	Salvia farinacea 'Victoria White'	1 gal.	18" o.c., Full
39	Moon Beam Coreopsis	Coreopsis verticillata 'Moon Beam'	1 gal.	18" o.c., Full
72	Pink Daylily	Hemerocallis 'Attribution'	1 gal.	24" o.c., 30" ht., 18" spr., Full
95	Purple Coneflower	Echinacea purpurea	1 gal.	18" o.c., Full
31	Rosemary	Rosmarinus officinalis 'Hill's Hardy'	1 gal.	24" o.c., Full
110	Shasta Daisy	Chrysanthemum x superbum 'Alaska'	1 gal.	18" o.c., Full
19	Spirea	Spiraea x Vanhouttei 'Anthony Waterer'	5 gal.	36" o.c., Full
75	Yarrow	Achillea compositae 'Cerise Queen'	1 gal.	18" o.c., Full
35	Yellow Daylily	Hemerocallis 'Stella d' Oro'	1 gal.	18" o.c., Full

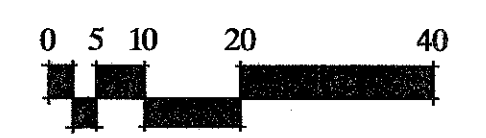
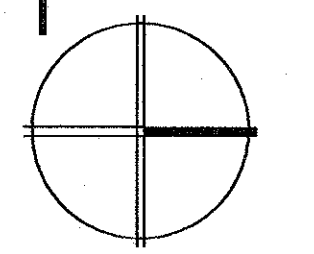


LEGEND

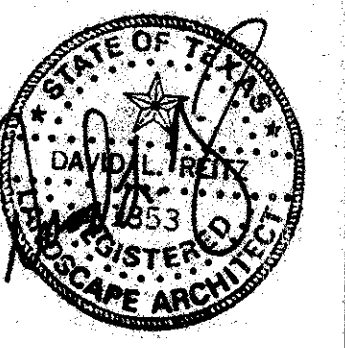
AP	Aristocrat Pear	CP	Chinese Pistache	CM	Crape Myrtle- White
BC	Bald Cypress	LC	Leyland Cypress	CMR	Crape Myrtle- Red
BO	Bur Oak	LO	Live Oak	EN	Eve's Necklace
CE	Cedar Elm	RO	Red Oak	FP	Forest Pansy Red Bud
CO	Chinquapin Oak	SG	Sweetgum	MP	Mexican Plum
				P	Possumhaw
				RB	Red Bud
				WM	Wax Myrtle
				YH	Yaupon Holly

[Symbol]	Nellie R. Stevens Holly
[Symbol]	Pink Daylily
[Symbol]	Dwarf Abelia
[Symbol]	Dwarf Burford Holly
[Symbol]	Dwarf Crape Myrtle
[Symbol]	Dwarf Indian Hawthorne
[Symbol]	Foster's Holly
[Symbol]	Juniper
[Symbol]	Liriope
[Symbol]	Purple Wintercreeper
[Symbol]	Annuals
[Symbol]	Hydromulch

- Notes:**
- The General Contractor shall be responsible for coordination of the work among the landscape contractor, the irrigation contractor and other contractors on site.
 - The Contractor shall determine the exact location of all existing utilities and conduct his work so as to prevent interruption of service or damage to them. The Contractor shall protect existing structures and utilities and shall be responsible for their repair if damaged.
 - All plant material shall be nursery grown. Field collected material shall not be used unless approved by the Owner.
 - B & B denotes balled and burlapped.
 - Only topsoil free of noxious plants excavated from pits and beds will be acceptable for use as backfill material as specified.
 - All trees planted on slopes shall be planted so that trunks are straight and upright. Tree wells will be carefully made so that downhill lip of tree well forms a basin to catch and hold water.
 - After planting, all oak species (Live Oak, Bur Oak, Red Oak) shall have their trunks sprayed with a Lindane Borer Preventative Solution. Solution shall be carefully applied so that foliage is not sprayed.
 - Contractor is responsible for establishing a stand of grass as stated in the specifications, for the areas designated on the plans.
 - Contractor shall stake all tree locations prior to installation. Owner shall approve staking before planting.
 - Refer to Sheet LP-1.10 for planting details.

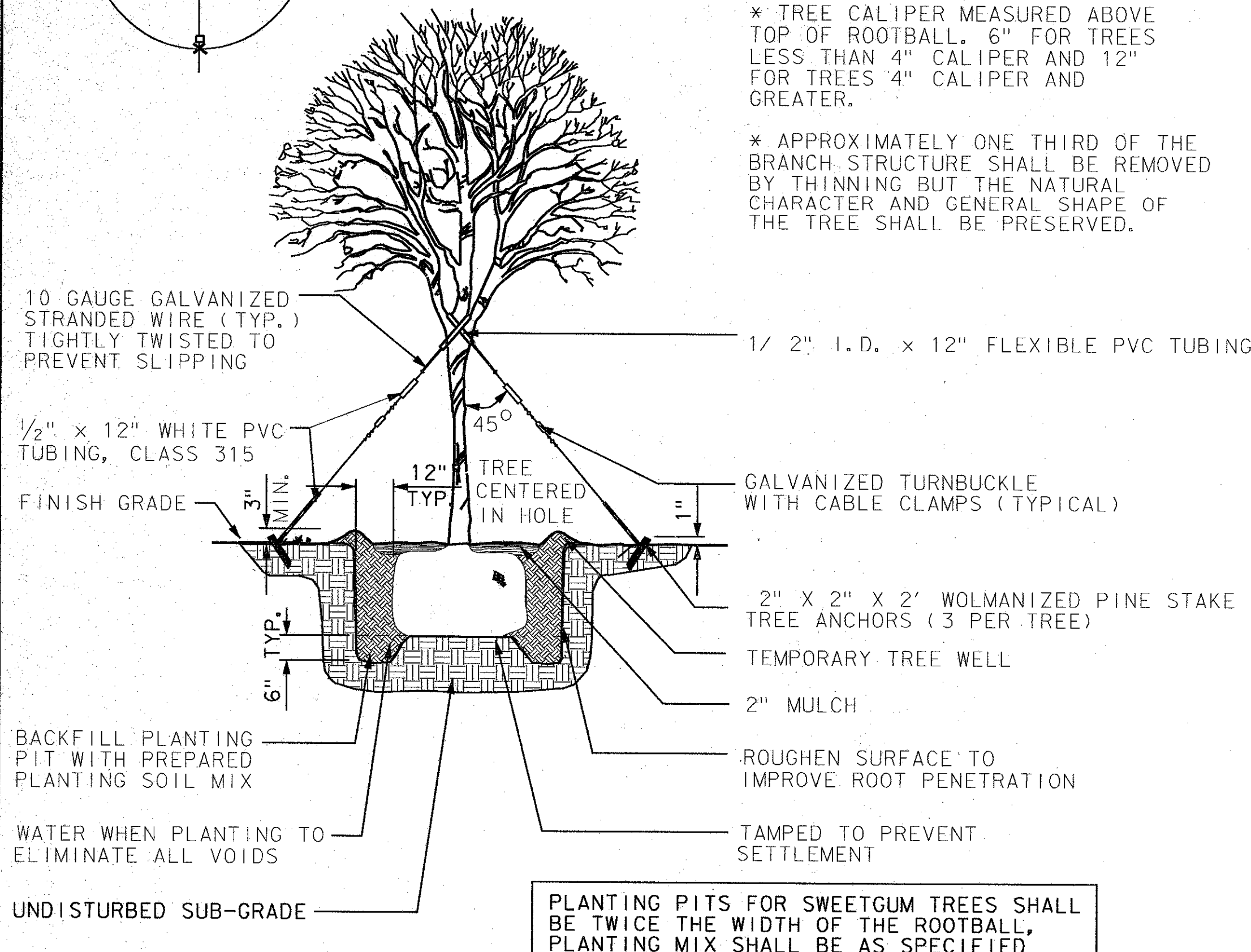
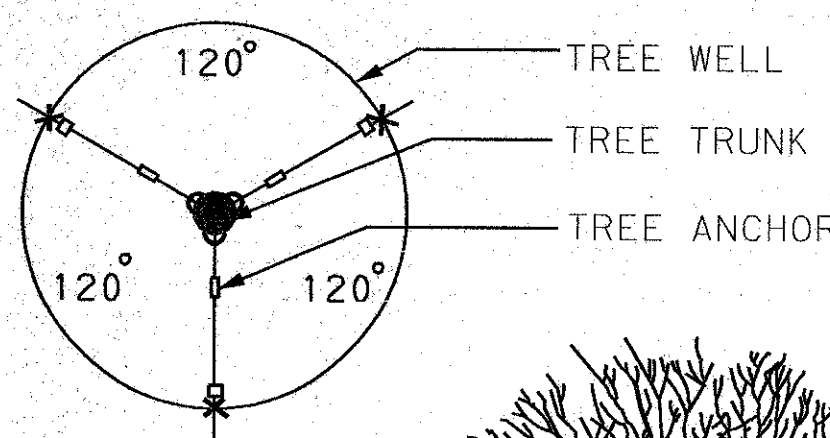
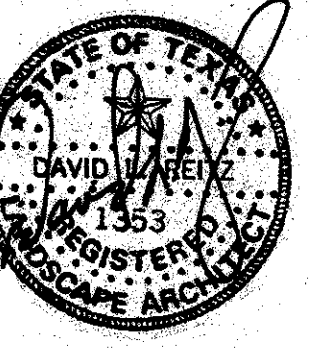


Planting Plan Area One



LES LACS LINEAR PARK
 TOWN OF ADDISON PARKS & LEISURE SERVICES DEPARTMENT 16801 WESTGROVE ROAD ADDISON, TEXAS 75001 214 / 450-2851
 7800 ELMBROOK DRIVE SUITE 200 DALLAS TEXAS 75247 - 6911
 (214) 638 0465 FAX (214) 638 0447
Carter Burgess

REVISIONS	
JOB NUMBER	93324001D
DESIGNED	SIA
DRAWN	SIA
CHECKED	DLR / JPO
ISSUE DATE	August 18, 1994
SHEET NUMBER	LP-1.1

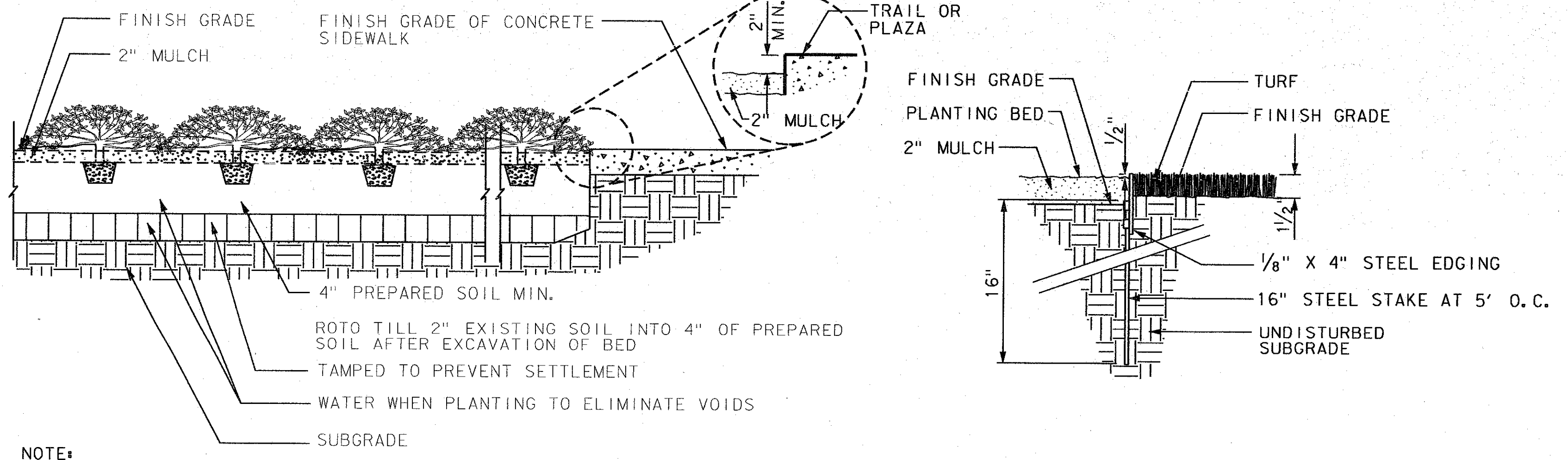


NOTES:

- * TEMPORARY TREE ANCHORS AND GUY WIRES TO BE REMOVED AFTER ONE FULL GROWING SEASON.
- * TREE CALIPER MEASURED ABOVE TOP OF ROOTBALL. 6" FOR TREES LESS THAN 4" CALIPER AND 12" FOR TREES 4" CALIPER AND GREATER.
- * APPROXIMATELY ONE THIRD OF THE BRANCH STRUCTURE SHALL BE REMOVED BY THINNING BUT THE NATURAL CHARACTER AND GENERAL SHAPE OF THE TREE SHALL BE PRESERVED.

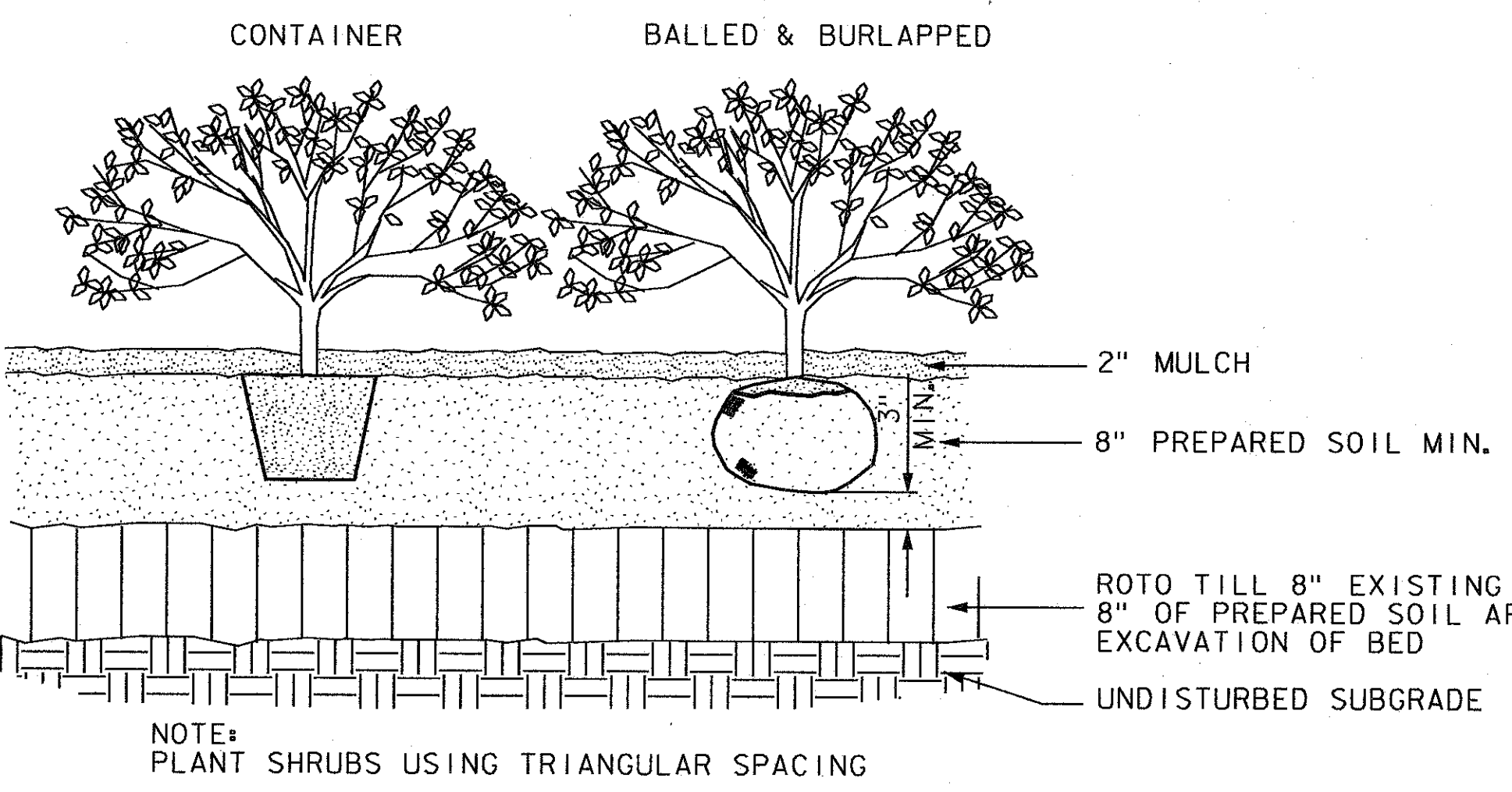
PLANTING PITS FOR SWEETGUM TREES SHALL BE TWICE THE WIDTH OF THE ROOTBALL, PLANTING MIX SHALL BE AS SPECIFIED

1 TREE PLANTING & STAKING DETAIL
NOT TO SCALE



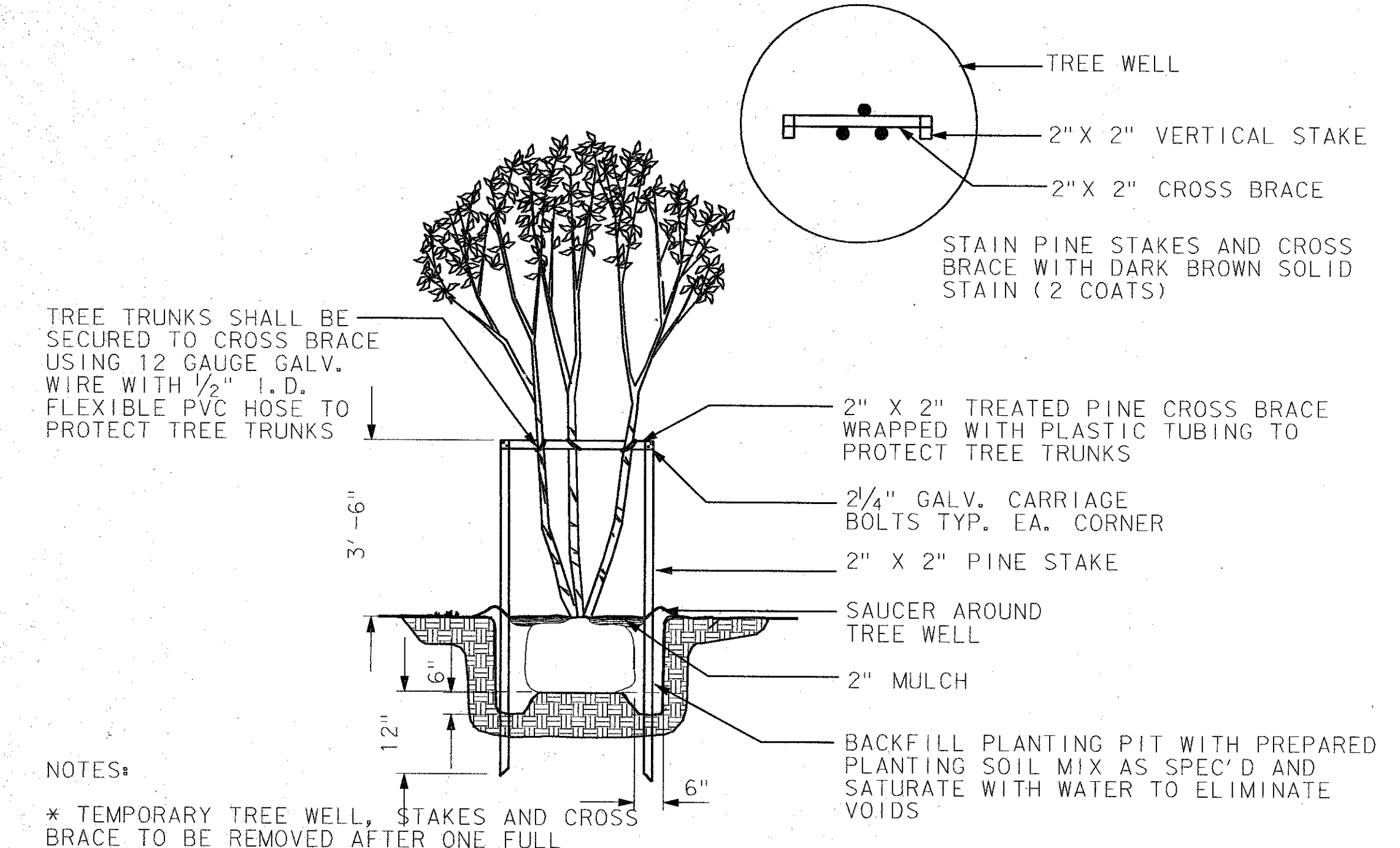
NOTE: PLANT GROUND COVER USING TRIANGULAR SPACING

2 GROUND COVER PLANTING DETAIL
NOT TO SCALE



NOTE: PLANT SHRUBS USING TRIANGULAR SPACING

4 SHRUB PLANTING DETAIL
NOT TO SCALE

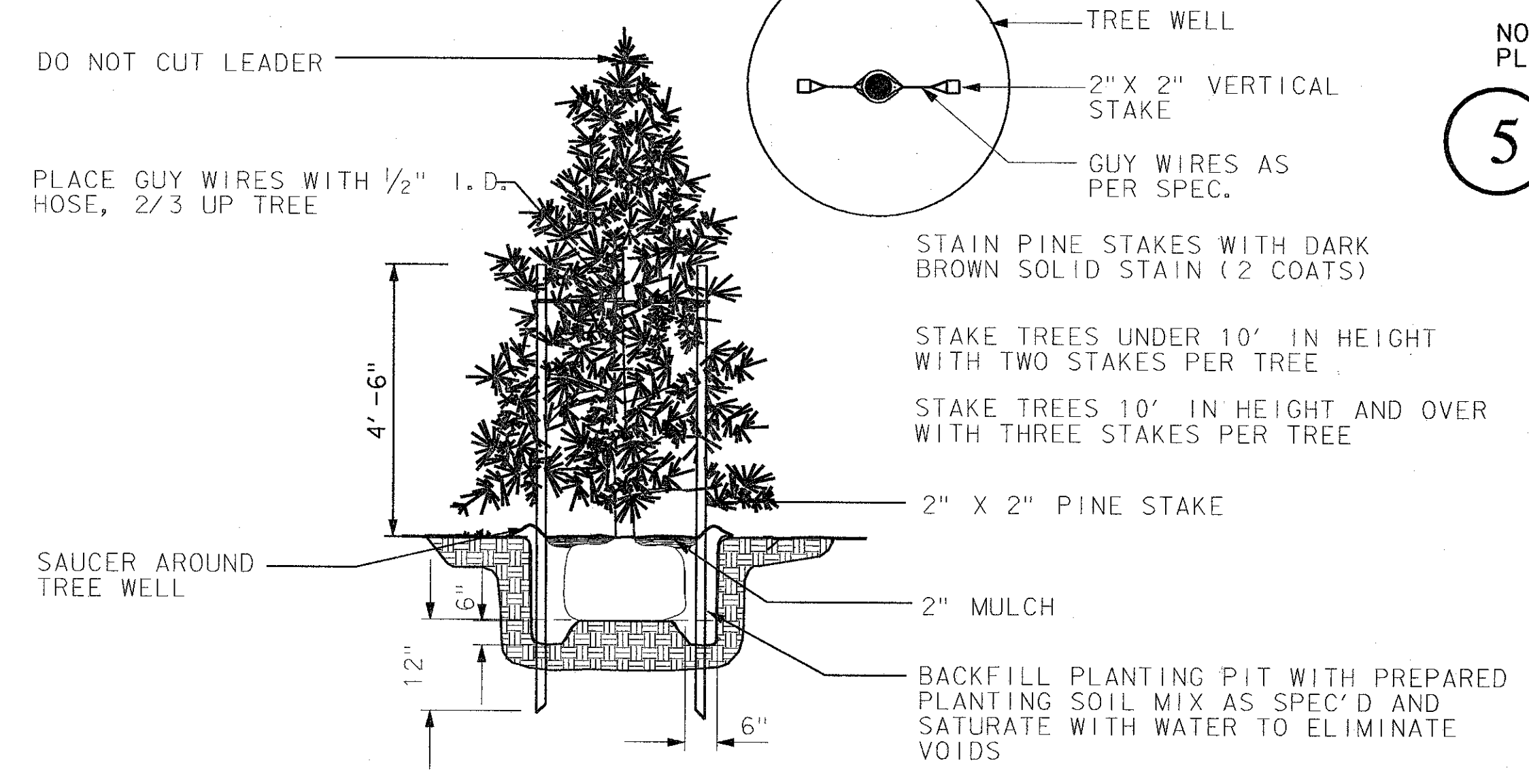


NOTES:

- * TEMPORARY TREE WELL, STAKES AND CROSS BRACE TO BE REMOVED AFTER ONE FULL GROWING SEASON
- * APPROXIMATELY 1/3 OF THE BRANCH STRUCTURE SHALL BE REMOVED BY THINNING, BUT THE NATURAL CHARACTER AND GENERAL SHAPE OF THE TREE SHALL BE PRESERVED.

CRAPE MYRTLE PLANTED ALONG MARSH LANE SECTION SHALL HAVE STEEL EDGE PALCED AS PER DETAIL OUTSIDE TEMPORARY TREE WELL SAUCER

6 MULTI-TRUNK TREE PLANTING & STAKING DETAIL
NOT TO SCALE

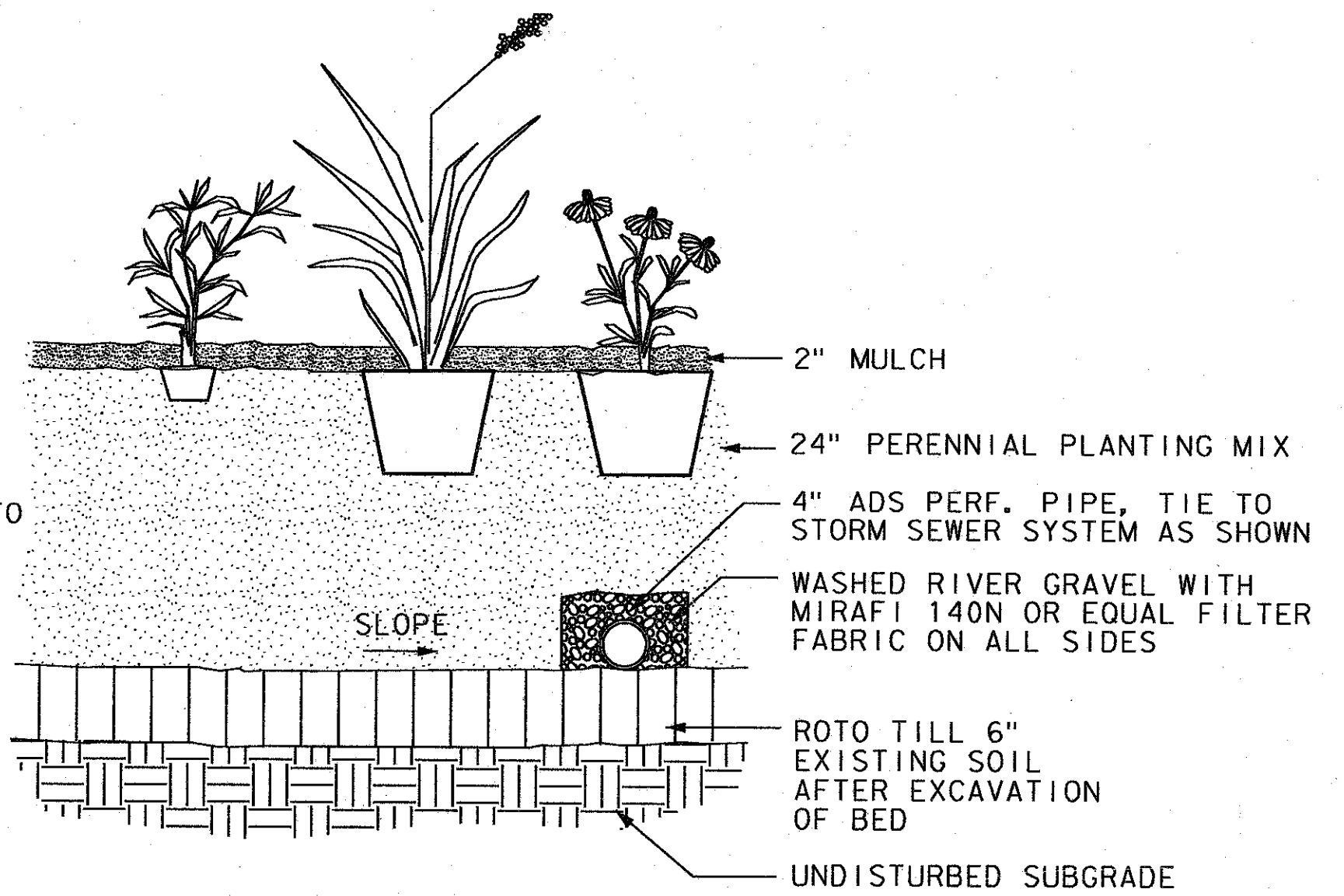


NOTES:

- * TEMPORARY TREE WELL, STAKES AND GUYING TO BE REMOVED AFTER ONE FULL GROWING SEASON
- * EVERGREEN TREE PLANTING DETAIL SHALL BE UTILIZED FOR ALL LEYLAND CYPRESS TREES.

7 EVERGREEN TREE PLANTING DETAIL
NOT TO SCALE

3 STEEL EDGING
NOT TO SCALE



NOTE: PLANT PERENNIALS USING TRIANGULAR SPACING

5 PERENNIAL BED
NOT TO SCALE

LES LACS LINEAR PARK

TOWN OF ADDISON PARKS & LEISURE SERVICES DEPARTMENT 16801 WESTGROVE ROAD ADDISON, TEXAS 75001 214 /450-2851



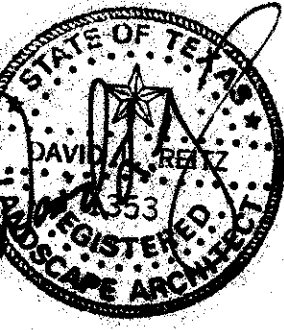
REVISIONS

JOB NUMBER
93324001D

DESIGNED SLA
DRAWN SLA
CHECKED DLR/ALD

ISSUE DATE
August 18, 1994

SHEET NUMBER
LP-1.10



LES LACS LINEAR PARK

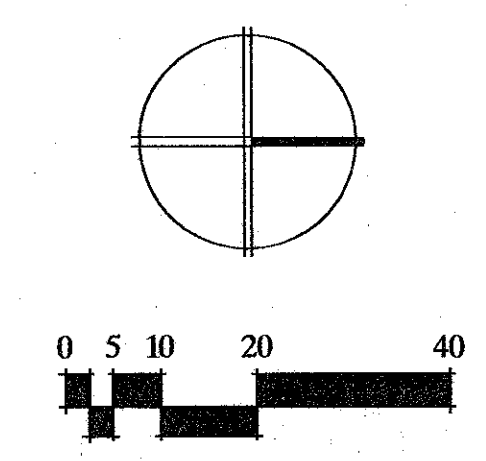
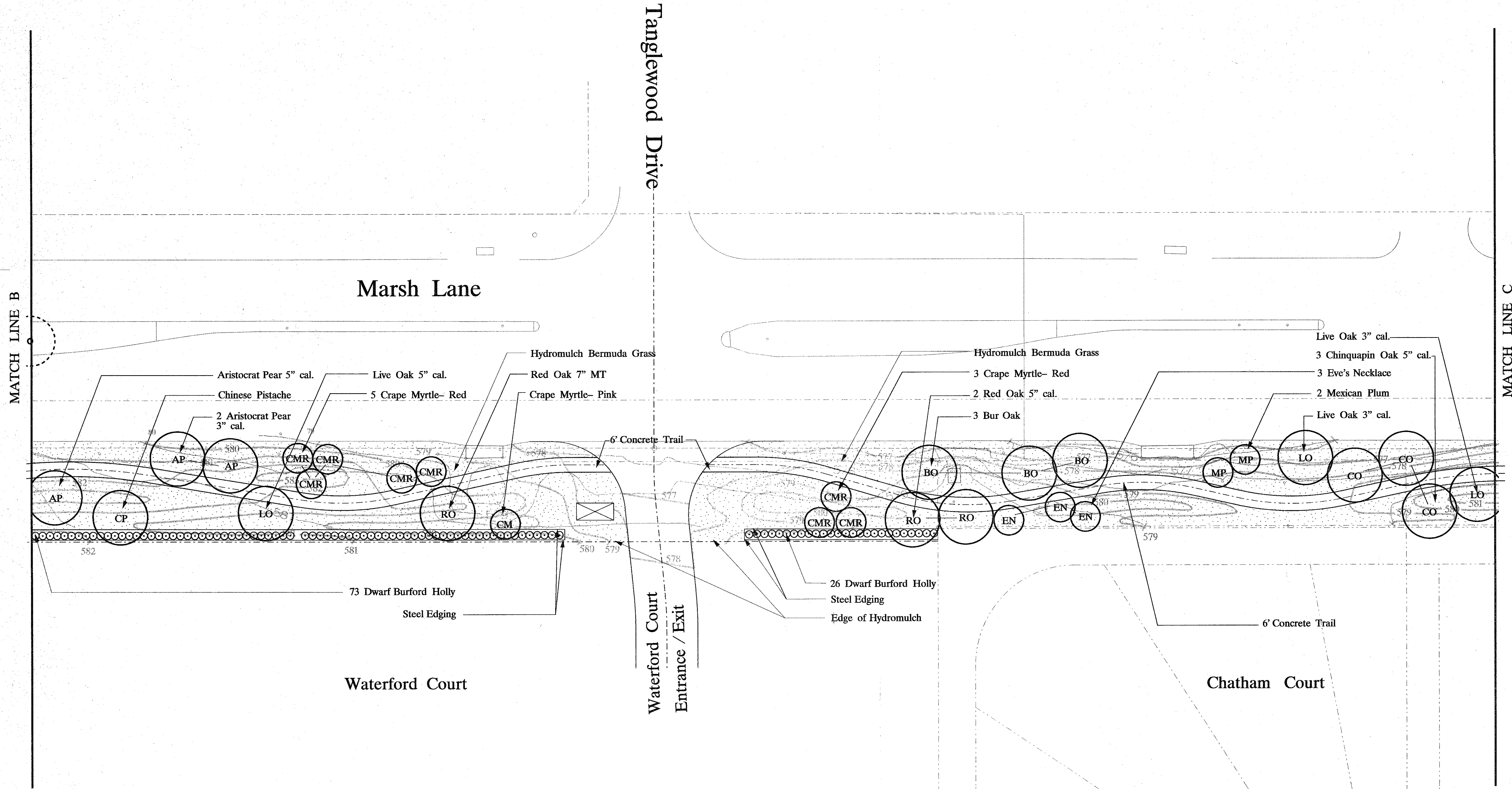
TOWN OF ADDISON PARKS & LEISURE SERVICES DEPARTMENT 6801 WESTGROVE ROAD ADDISON, TEXAS 75001 214 /450-2851



760 ELMBROOK DRIVE SUITE 200 DALLAS, TEXAS 75247 - 6851
(214) 638-0965 FAX (214) 638-0447

REVISIONS	
JOB NUMBER	93324001D
DESIGNED	SLA
DRAWN	SLA
CHECKED	DLR / LEO
ISSUE DATE	August 18, 1994
SHEET NUMBER	LP-1.3

(1) REF-N\LANDPLAN\93324001\240\4000.MXD - LDC-LA3 - 08/18/94
 (2) REF-N\LANDPLAN\93324001\240\4000.MXD - LDC-CENTURION - 08/18/94
 (3) REF-N\LANDPLAN\93324001\240\4000.MXD - LDC-CENTURION - 08/18/94
 (4) REF-N\LANDPLAN\93324001\240\4000.MXD - LDC-CENTURION - 08/18/94
 (5) REF-N\LANDPLAN\93324001\240\4000.MXD - LDC-CENTURION - 08/18/94
 (6) REF-N\LANDPLAN\93324001\240\4000.MXD - LDC-CENTURION - 08/18/94
 (7) REF-N\LANDPLAN\93324001\240\4000.MXD - LDC-CENTURION - 08/18/94
 (8) REF-N\LANDPLAN\93324001\240\4000.MXD - LDC-CENTURION - 08/18/94
 (9) REF-N\LANDPLAN\93324001\240\4000.MXD - LDC-CENTURION - 08/18/94
 (10) REF-N\LANDPLAN\93324001\240\4000.MXD - LDC-CENTURION - 08/18/94
 (11) REF-N\LANDPLAN\93324001\240\4000.MXD - LDC-CENTURION - 08/18/94
 (12) REF-N\LANDPLAN\93324001\240\4000.MXD - LDC-CENTURION - 08/18/94
 (13) REF-N\LANDPLAN\93324001\240\4000.MXD - LDC-CENTURION - 08/18/94
 (14) REF-N\LANDPLAN\93324001\240\4000.MXD - LDC-CENTURION - 08/18/94
 (15) REF-N\LANDPLAN\93324001\240\4000.MXD - LDC-CENTURION - 08/18/94
 (16) REF-N\LANDPLAN\93324001\240\4000.MXD - LDC-CENTURION - 08/18/94
 (17) REF-N\LANDPLAN\93324001\240\4000.MXD - LDC-CENTURION - 08/18/94
 (18) REF-N\LANDPLAN\93324001\240\4000.MXD - LDC-CENTURION - 08/18/94
 (19) REF-N\LANDPLAN\93324001\240\4000.MXD - LDC-CENTURION - 08/18/94
 (20) REF-N\LANDPLAN\93324001\240\4000.MXD - LDC-CENTURION - 08/18/94
 (21) REF-N\LANDPLAN\93324001\240\4000.MXD - LDC-CENTURION - 08/18/94
 (22) REF-N\LANDPLAN\93324001\240\4000.MXD - LDC-CENTURION - 08/18/94
 (23) REF-N\LANDPLAN\93324001\240\4000.MXD - LDC-CENTURION - 08/18/94
 (24) REF-N\LANDPLAN\93324001\240\4000.MXD - LDC-CENTURION - 08/18/94
 (25) REF-N\LANDPLAN\93324001\240\4000.MXD - LDC-CENTURION - 08/18/94
 (26) REF-N\LANDPLAN\93324001\240\4000.MXD - LDC-CENTURION - 08/18/94
 (27) REF-N\LANDPLAN\93324001\240\4000.MXD - LDC-CENTURION - 08/18/94
 (28) REF-N\LANDPLAN\93324001\240\4000.MXD - LDC-CENTURION - 08/18/94
 (29) REF-N\LANDPLAN\93324001\240\4000.MXD - LDC-CENTURION - 08/18/94
 (30) REF-N\LANDPLAN\93324001\240\4000.MXD - LDC-CENTURION - 08/18/94
 (31) REF-N\LANDPLAN\93324001\240\4000.MXD - LDC-CENTURION - 08/18/94
 (32) REF-N\LANDPLAN\93324001\240\4000.MXD - LDC-CENTURION - 08/18/94
 (33) REF-N\LANDPLAN\93324001\240\4000.MXD - LDC-CENTURION - 08/18/94
 (34) REF-N\LANDPLAN\93324001\240\4000.MXD - LDC-CENTURION - 08/18/94
 (35) REF-N\LANDPLAN\93324001\240\4000.MXD - LDC-CENTURION - 08/18/94
 (36) REF-N\LANDPLAN\93324001\240\4000.MXD - LDC-CENTURION - 08/18/94
 (37) REF-N\LANDPLAN\93324001\240\4000.MXD - LDC-CENTURION - 08/18/94
 (38) REF-N\LANDPLAN\93324001\240\4000.MXD - LDC-CENTURION - 08/18/94
 (39) REF-N\LANDPLAN\93324001\240\4000.MXD - LDC-CENTURION - 08/18/94
 (40) REF-N\LANDPLAN\93324001\240\4000.MXD - LDC-CENTURION - 08/18/94
 (41) REF-N\LANDPLAN\93324001\240\4000.MXD - LDC-CENTURION - 08/18/94
 (42) REF-N\LANDPLAN\93324001\240\4000.MXD - LDC-CENTURION - 08/18/94
 (43) REF-N\LANDPLAN\93324001\240\4000.MXD - LDC-CENTURION - 08/18/94
 (44) REF-N\LANDPLAN\93324001\240\4000.MXD - LDC-CENTURION - 08/18/94
 (45) REF-N\LANDPLAN\93324001\240\4000.MXD - LDC-CENTURION - 08/18/94
 (46) REF-N\LANDPLAN\93324001\240\4000.MXD - LDC-CENTURION - 08/18/94
 (47) REF-N\LANDPLAN\93324001\240\4000.MXD - LDC-CENTURION - 08/18/94
 (48) REF-N\LANDPLAN\93324001\240\4000.MXD - LDC-CENTURION - 08/18/94
 (49) REF-N\LANDPLAN\93324001\240\4000.MXD - LDC-CENTURION - 08/18/94
 (50) REF-N\LANDPLAN\93324001\240\4000.MXD - LDC-CENTURION - 08/18/94
 (51) REF-N\LANDPLAN\93324001\240\4000.MXD - LDC-CENTURION - 08/18/94
 (52) REF-N\LANDPLAN\93324001\240\4000.MXD - LDC-CENTURION - 08/18/94
 (53) REF-N\LANDPLAN\93324001\240\4000.MXD - LDC-CENTURION - 08/18/94
 (54) REF-N\LANDPLAN\93324001\240\4000.MXD - LDC-CENTURION - 08/18/94
 (55) REF-N\LANDPLAN\93324001\240\4000.MXD - LDC-CENTURION - 08/18/94
 (56) REF-N\LANDPLAN\93324001\240\4000.MXD - LDC-CENTURION - 08/18/94
 (57) REF-N\LANDPLAN\93324001\240\4000.MXD - LDC-CENTURION - 08/18/94
 (58) REF-N\LANDPLAN\93324001\240\4000.MXD - LDC-CENTURION - 08/18/94
 (59) REF-N\LANDPLAN\93324001\240\4000.MXD - LDC-CENTURION - 08/18/94
 (60) REF-N\LANDPLAN\93324001\240\4000.MXD - LDC-CENTURION - 08/18/94
 (61) REF-N\LANDPLAN\93324001\240\4000.MXD - LDC-CENTURION - 08/18/94
 (62) REF-N\LANDPLAN\93324001\240\4000.MXD - LDC-CENTURION - 08/18/94
 (63) REF-N\LANDPLAN\93324001\240\4000.MXD - LDC-CENTURION - 08/18/94
 (64) REF-N\LANDPLAN\93324001\240\4000.MXD - LDC-CENTURION - 08/18/94
 (65) REF-N\LANDPLAN\93324001\240\4000.MXD - LDC-CENTURION - 08/18/94
 (66) REF-N\LANDPLAN\93324001\240\4000.MXD - LDC-CENTURION - 08/18/94
 (67) REF-N\LANDPLAN\93324001\240\4000.MXD - LDC-CENTURION - 08/18/94
 (68) REF-N\LANDPLAN\93324001\240\4000.MXD - LDC-CENTURION - 08/18/94
 (69) REF-N\LANDPLAN\93324001\240\4000.MXD - LDC-CENTURION - 08/18/94
 (70) REF-N\LANDPLAN\93324001\240\4000.MXD - LDC-CENTURION - 08/18/94
 (71) REF-N\LANDPLAN\93324001\240\4000.MXD - LDC-CENTURION - 08/18/94
 (72) REF-N\LANDPLAN\93324001\240\4000.MXD - LDC-CENTURION - 08/18/94
 (73) REF-N\LANDPLAN\93324001\240\4000.MXD - LDC-CENTURION - 08/18/94
 (74) REF-N\LANDPLAN\93324001\240\4000.MXD - LDC-CENTURION - 08/18/94
 (75) REF-N\LANDPLAN\93324001\240\4000.MXD - LDC-CENTURION - 08/18/94
 (76) REF-N\LANDPLAN\93324001\240\4000.MXD - LDC-CENTURION - 08/18/94
 (77) REF-N\LANDPLAN\93324001\240\4000.MXD - LDC-CENTURION - 08/18/94
 (78) REF-N\LANDPLAN\93324001\240\4000.MXD - LDC-CENTURION - 08/18/94
 (79) REF-N\LANDPLAN\93324001\240\4000.MXD - LDC-CENTURION - 08/18/94
 (80) REF-N\LANDPLAN\93324001\240\4000.MXD - LDC-CENTURION - 08/18/94
 (81) REF-N\LANDPLAN\93324001\240\4000.MXD - LDC-CENTURION - 08/18/94
 (82) REF-N\LANDPLAN\93324001\240\4000.MXD - LDC-CENTURION - 08/18/94
 (83) REF-N\LANDPLAN\93324001\240\4000.MXD - LDC-CENTURION - 08/18/94
 (84) REF-N\LANDPLAN\93324001\240\4000.MXD - LDC-CENTURION - 08/18/94
 (85) REF-N\LANDPLAN\93324001\240\4000.MXD - LDC-CENTURION - 08/18/94
 (86) REF-N\LANDPLAN\93324001\240\4000.MXD - LDC-CENTURION - 08/18/94
 (87) REF-N\LANDPLAN\93324001\240\4000.MXD - LDC-CENTURION - 08/18/94
 (88) REF-N\LANDPLAN\93324001\240\4000.MXD - LDC-CENTURION - 08/18/94
 (89) REF-N\LANDPLAN\93324001\240\4000.MXD - LDC-CENTURION - 08/18/94
 (90) REF-N\LANDPLAN\93324001\240\4000.MXD - LDC-CENTURION - 08/18/94
 (91) REF-N\LANDPLAN\93324001\240\4000.MXD - LDC-CENTURION - 08/18/94
 (92) REF-N\LANDPLAN\93324001\240\4000.MXD - LDC-CENTURION - 08/18/94
 (93) REF-N\LANDPLAN\93324001\240\4000.MXD - LDC-CENTURION - 08/18/94
 (94) REF-N\LANDPLAN\93324001\240\4000.MXD - LDC-CENTURION - 08/18/94
 (95) REF-N\LANDPLAN\93324001\240\4000.MXD - LDC-CENTURION - 08/18/94
 (96) REF-N\LANDPLAN\93324001\240\4000.MXD - LDC-CENTURION - 08/18/94
 (97) REF-N\LANDPLAN\93324001\240\4000.MXD - LDC-CENTURION - 08/18/94
 (98) REF-N\LANDPLAN\93324001\240\4000.MXD - LDC-CENTURION - 08/18/94
 (99) REF-N\LANDPLAN\93324001\240\4000.MXD - LDC-CENTURION - 08/18/94
 (100) REF-N\LANDPLAN\93324001\240\4000.MXD - LDC-CENTURION - 08/18/94



Planting Plan Area Three

