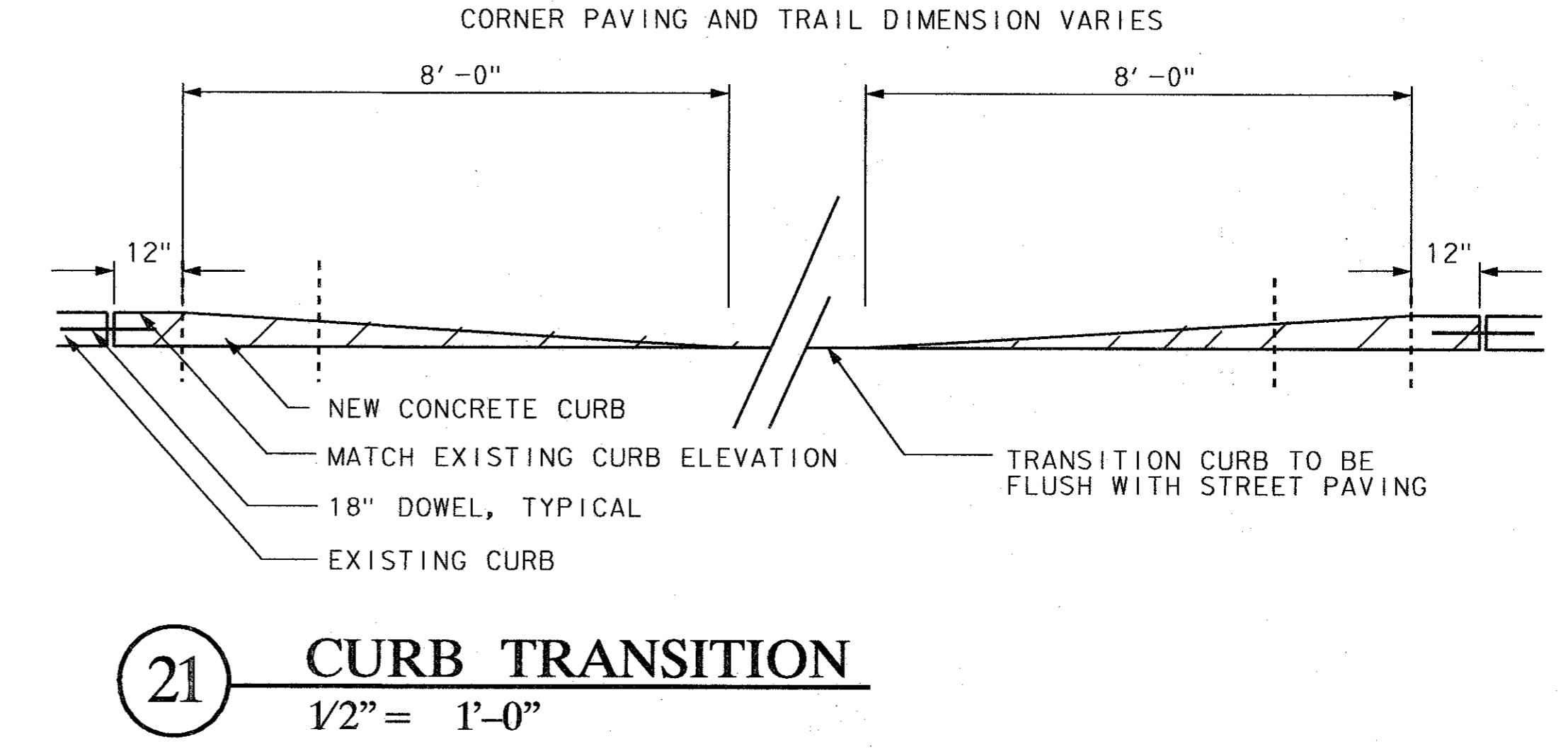
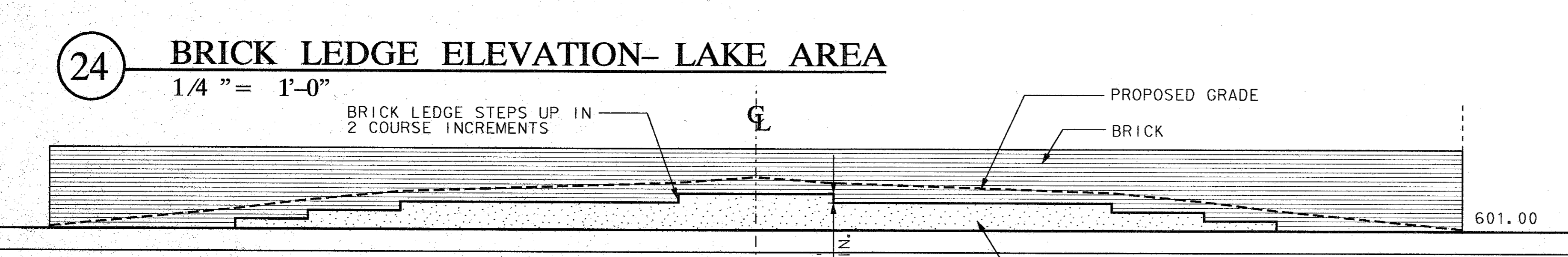
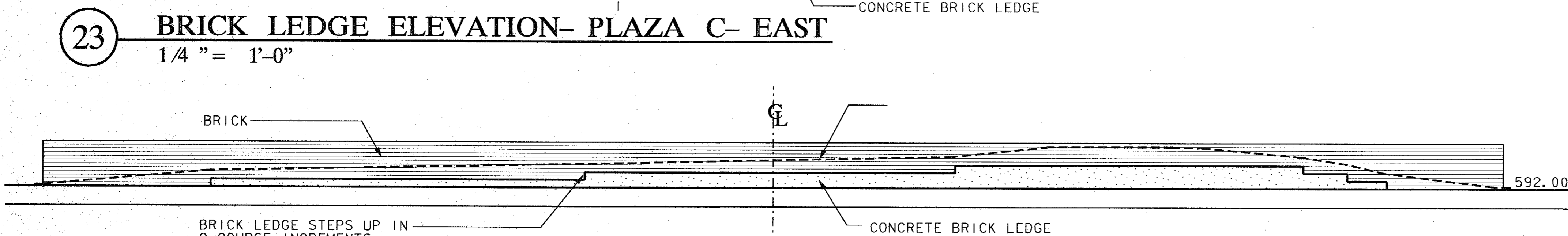
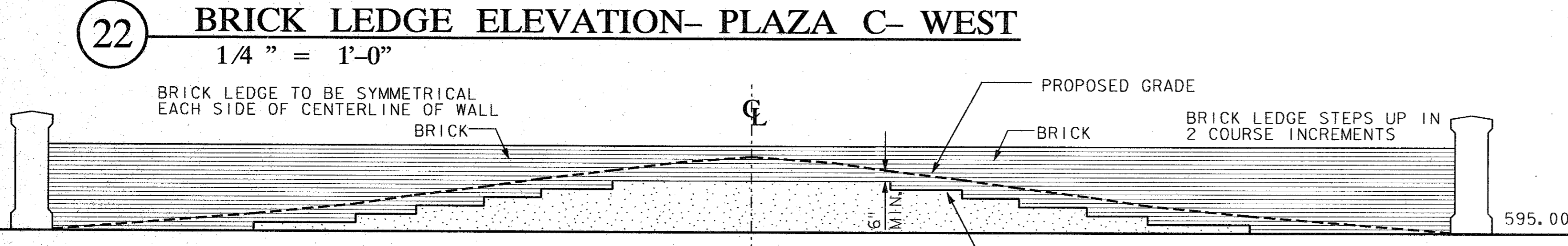
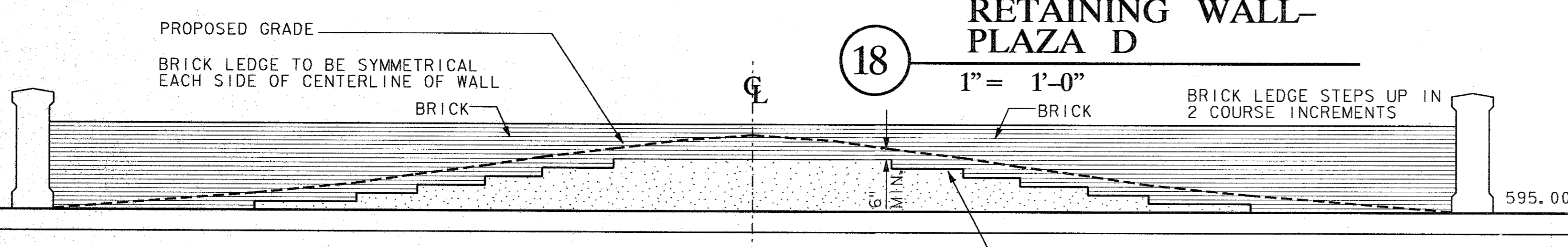
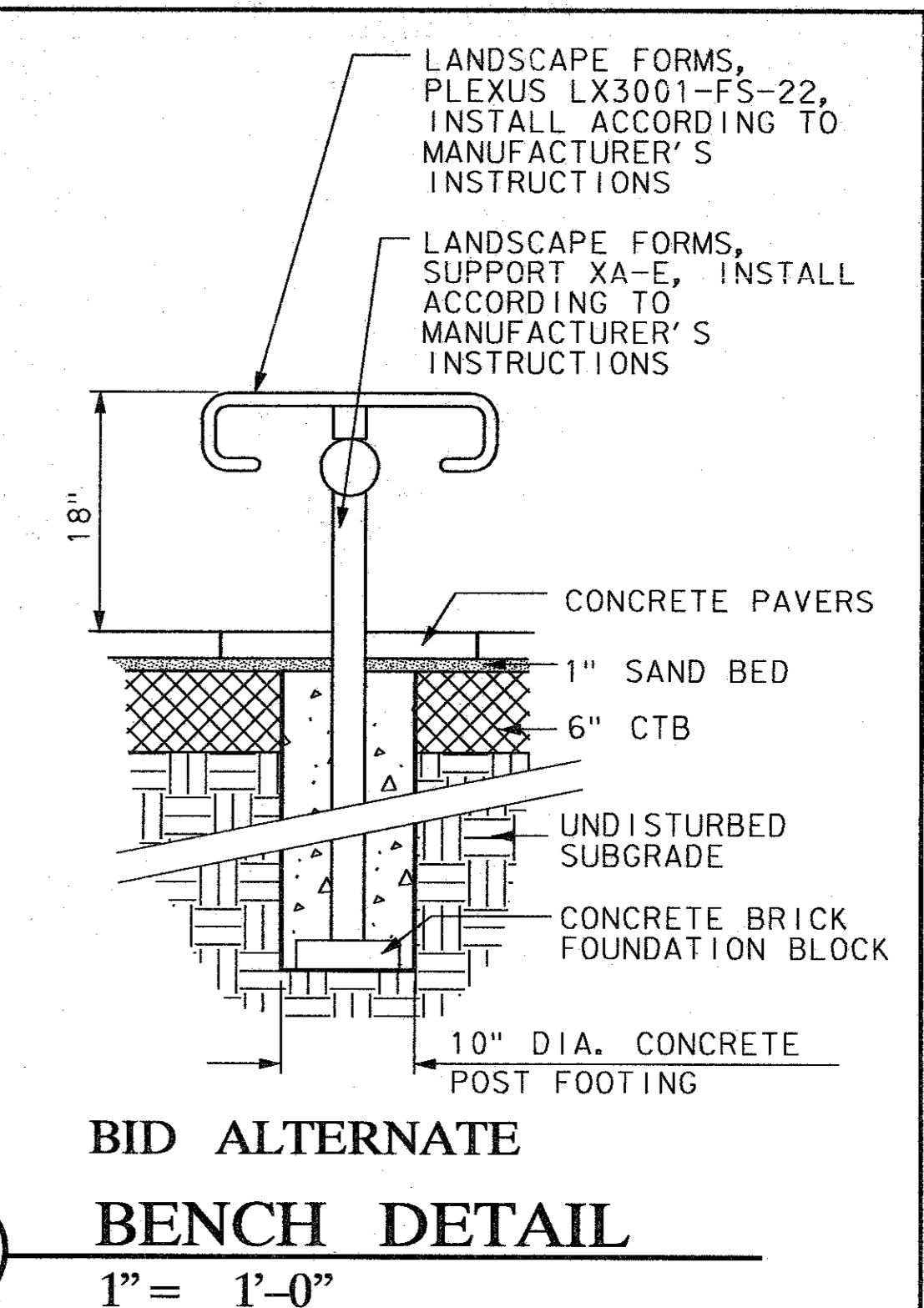
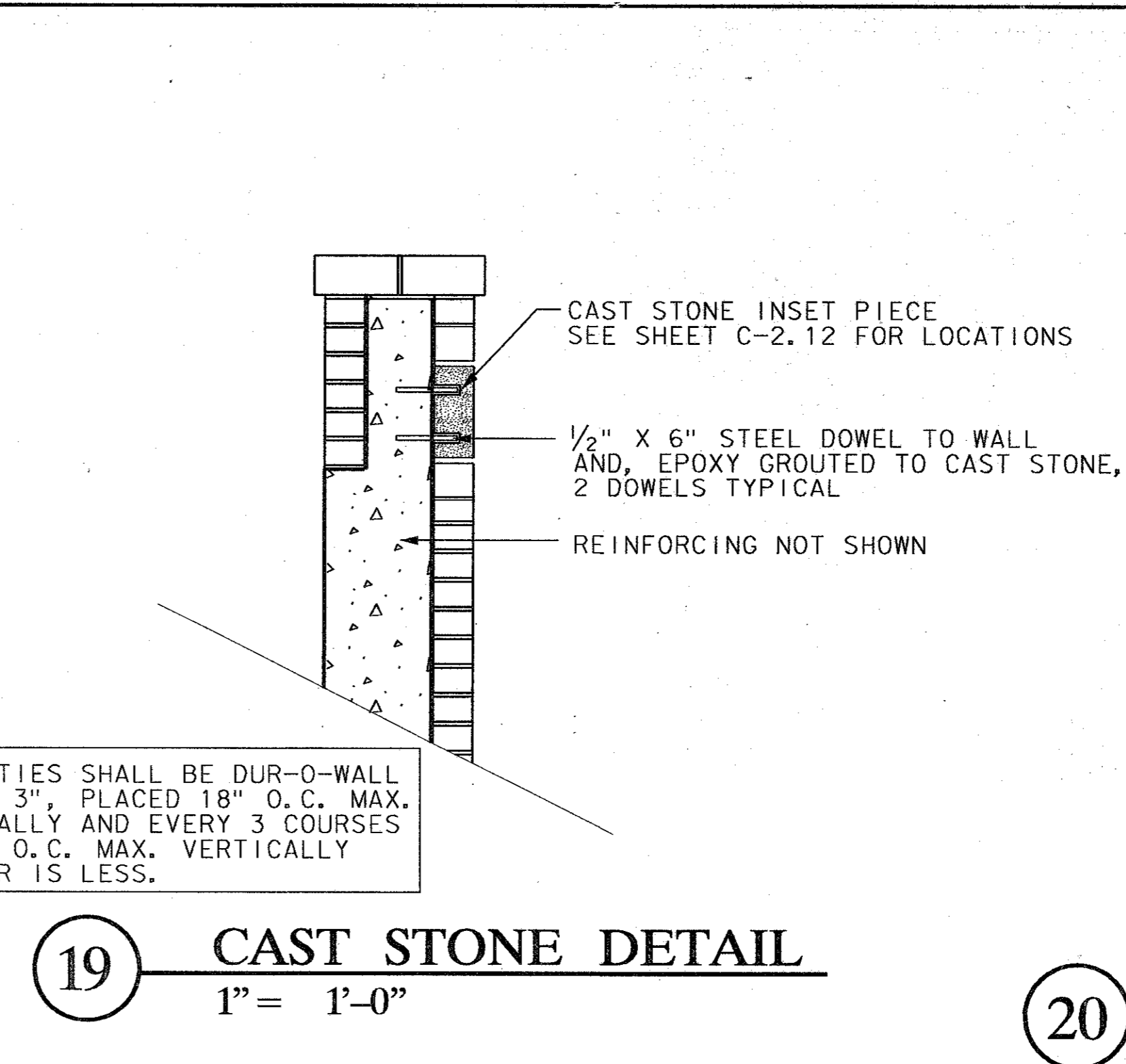
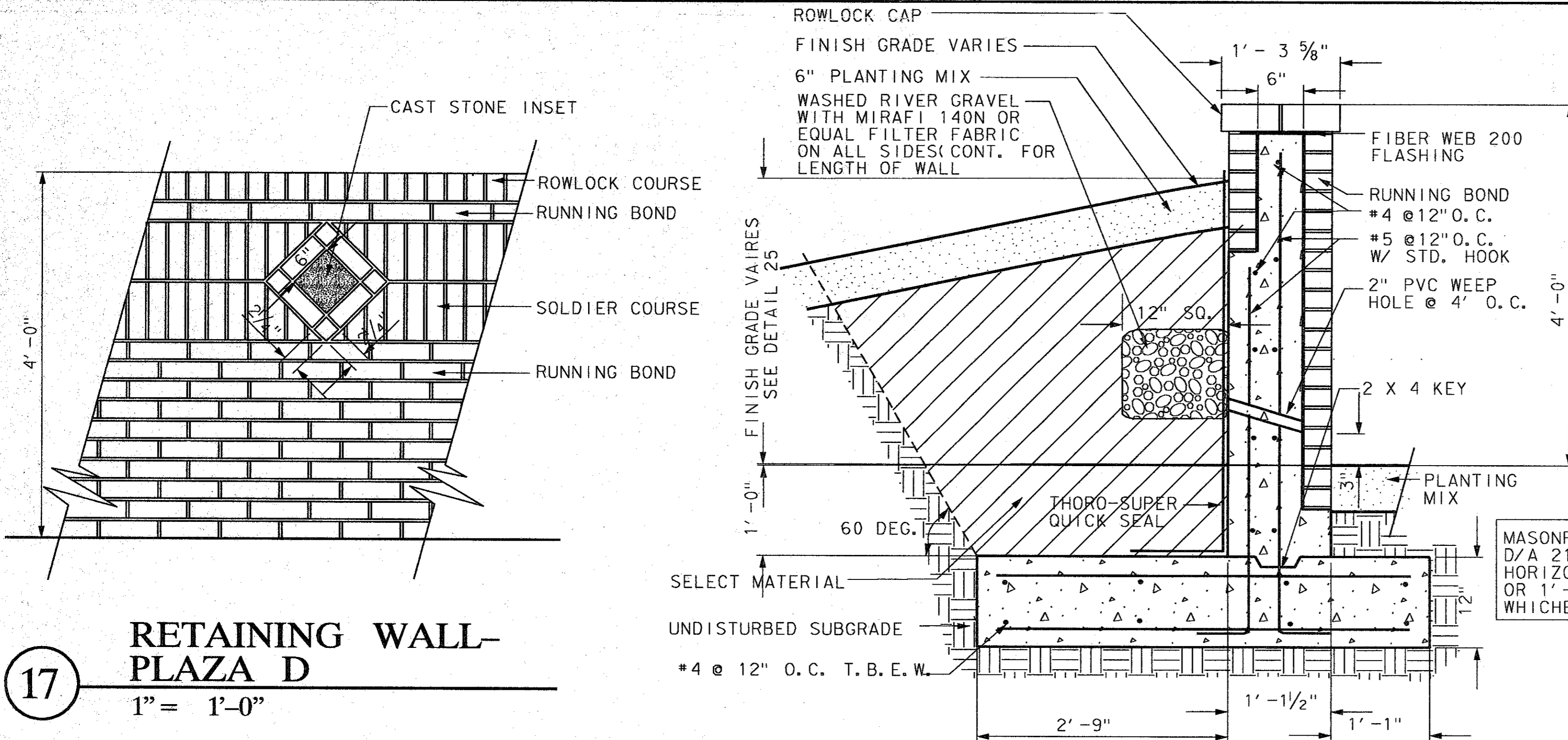


USER-ADAMS JOB#-UNKNOWN PLOTTED Wed Aug 17 08:08:01 1994
TBL-FY-PL-T-TBL\PL-LACS-TBL
C:\P\LAN\LANDPLAN\93324001\24001.DWG - LUG-01.DWG - 0/1-1-82
P:\P\LAN\93324001\24001.DWG - R01-01.DWG - 0/1-1-82
C:\P\LAN\LANDPLAN\93324001\24001.DWG - LUG-01.DWG - 0/1-1-82
P:\P\LAN\93324001\24001.DWG - R01-01.DWG - 0/1-1-82



LES LACS LINEAR PARK

TOWN OF ADDISON PARKS & LEISURE SERVICES DEPARTMENT 16800 WESTGROVE ROAD ADDISON, TEXAS 75001 214/450-2851
7901 ELMBROOK DRIVE SUITE 250 DALLAS, TEXAS 75247 - 091
(214) 638 0445 FAX (214) 638 0447



REVISIONS
JOB NUMBER 93324001D
DESIGNED SIA DRAWN SIA CHECKED DLR/LBO
ISSUE DATE August 18, 1994
SHEET NUMBER D-3