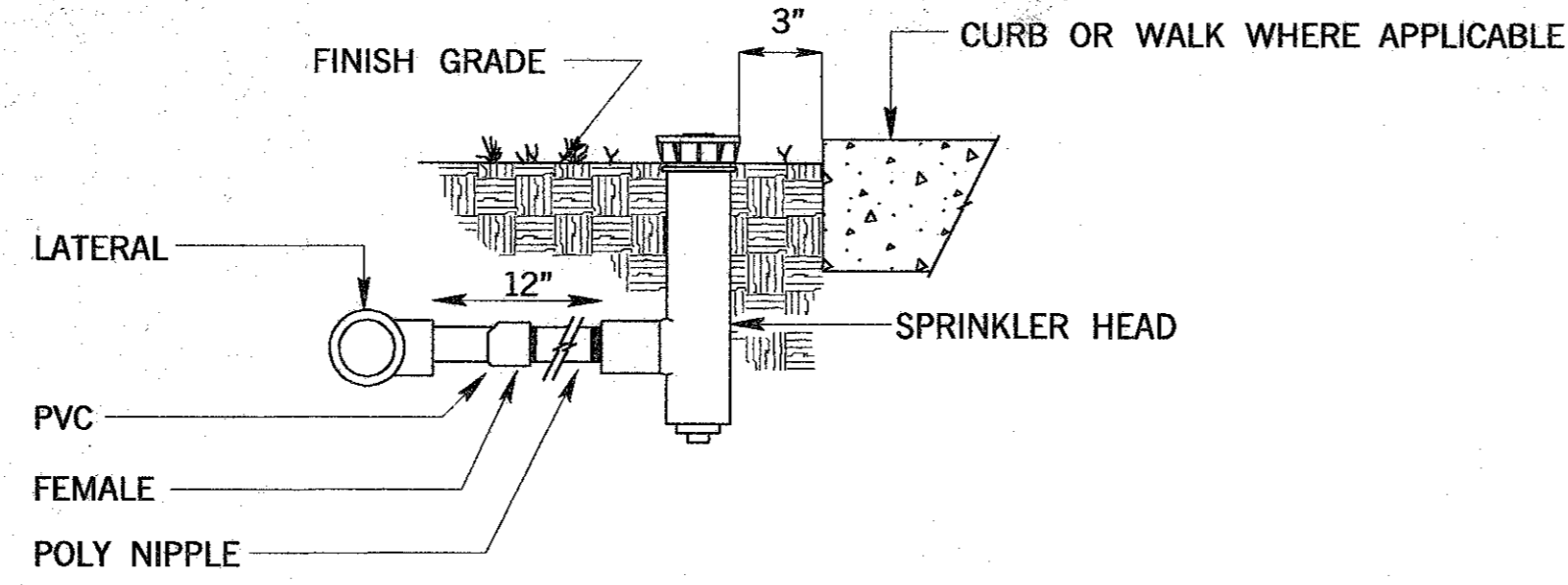


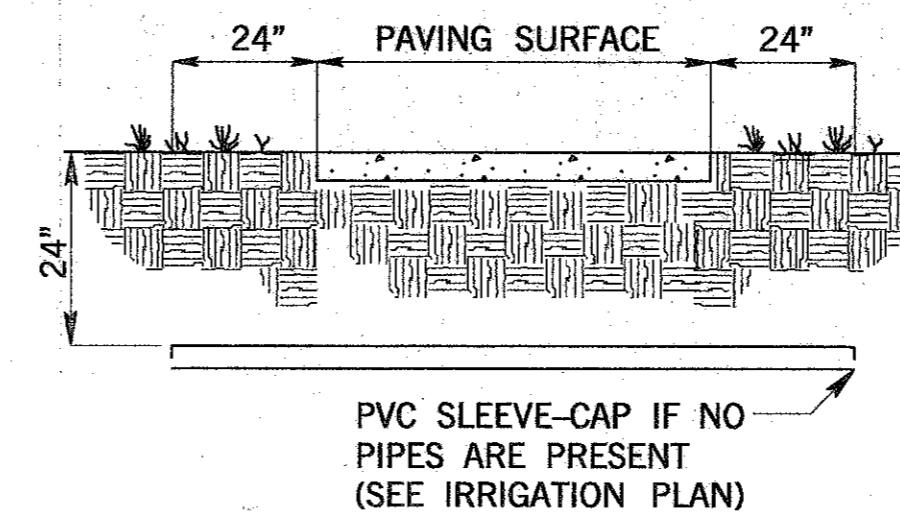
**TURF POP-UP SPRAY AND ROTOR HEAD DETAIL**

NOT TO SCALE



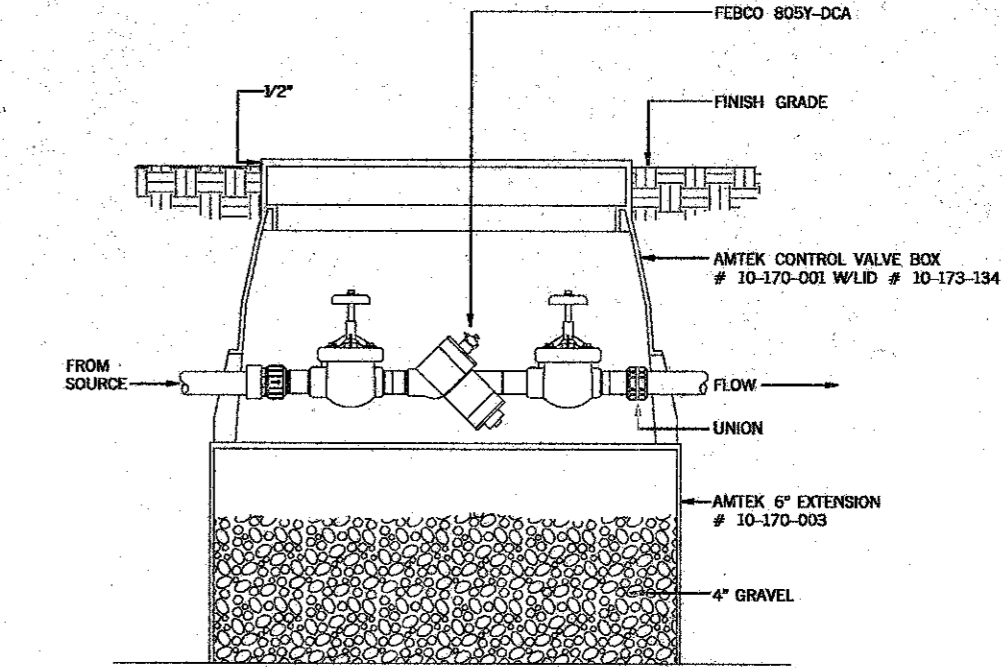
**HIGH POP-UP SPRAY HEAD DETAIL**

NOT TO SCALE



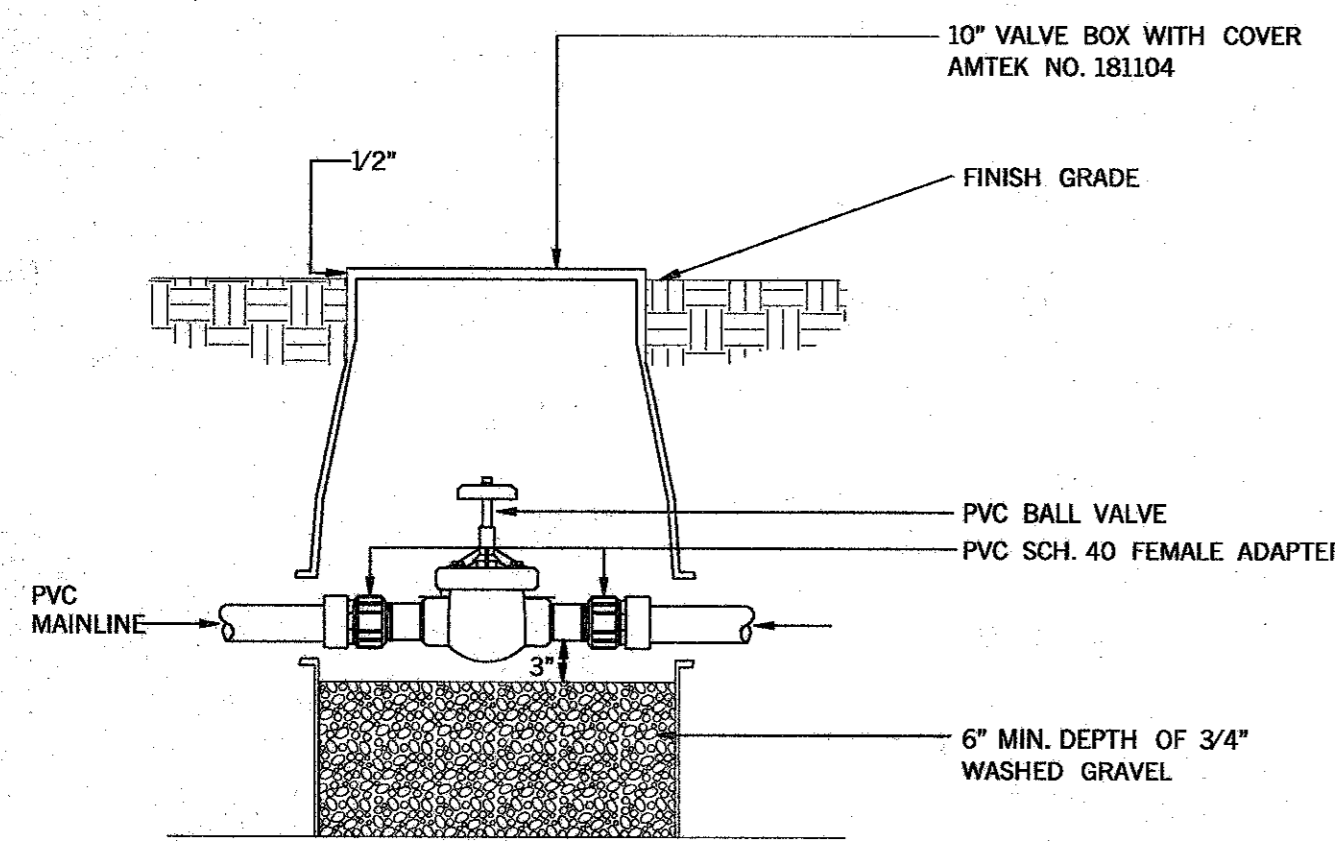
**SLEEVE DETAIL**

NOT TO SCALE



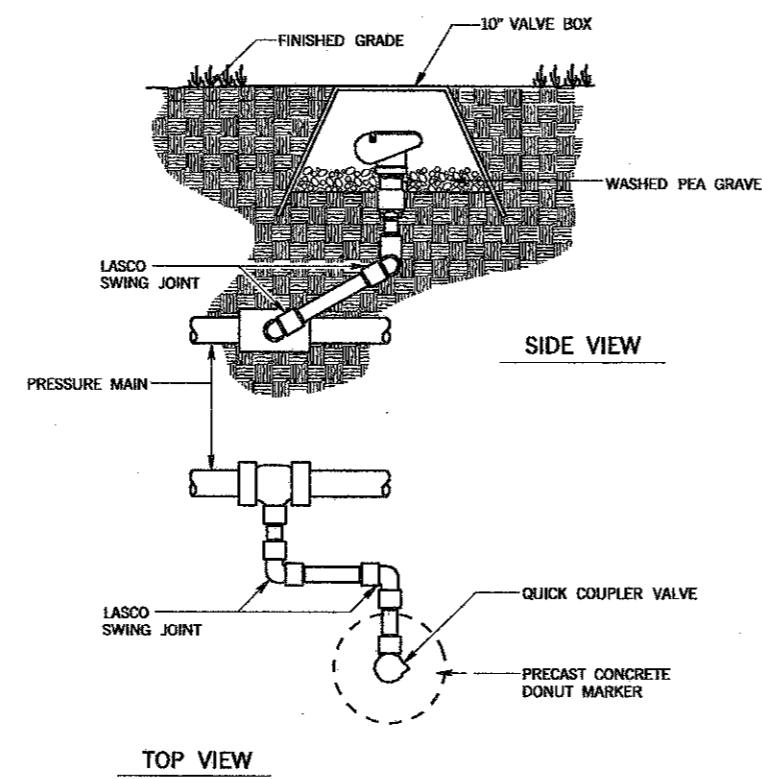
**BACKFLOW PREVENTION DETAIL**

NOT TO SCALE



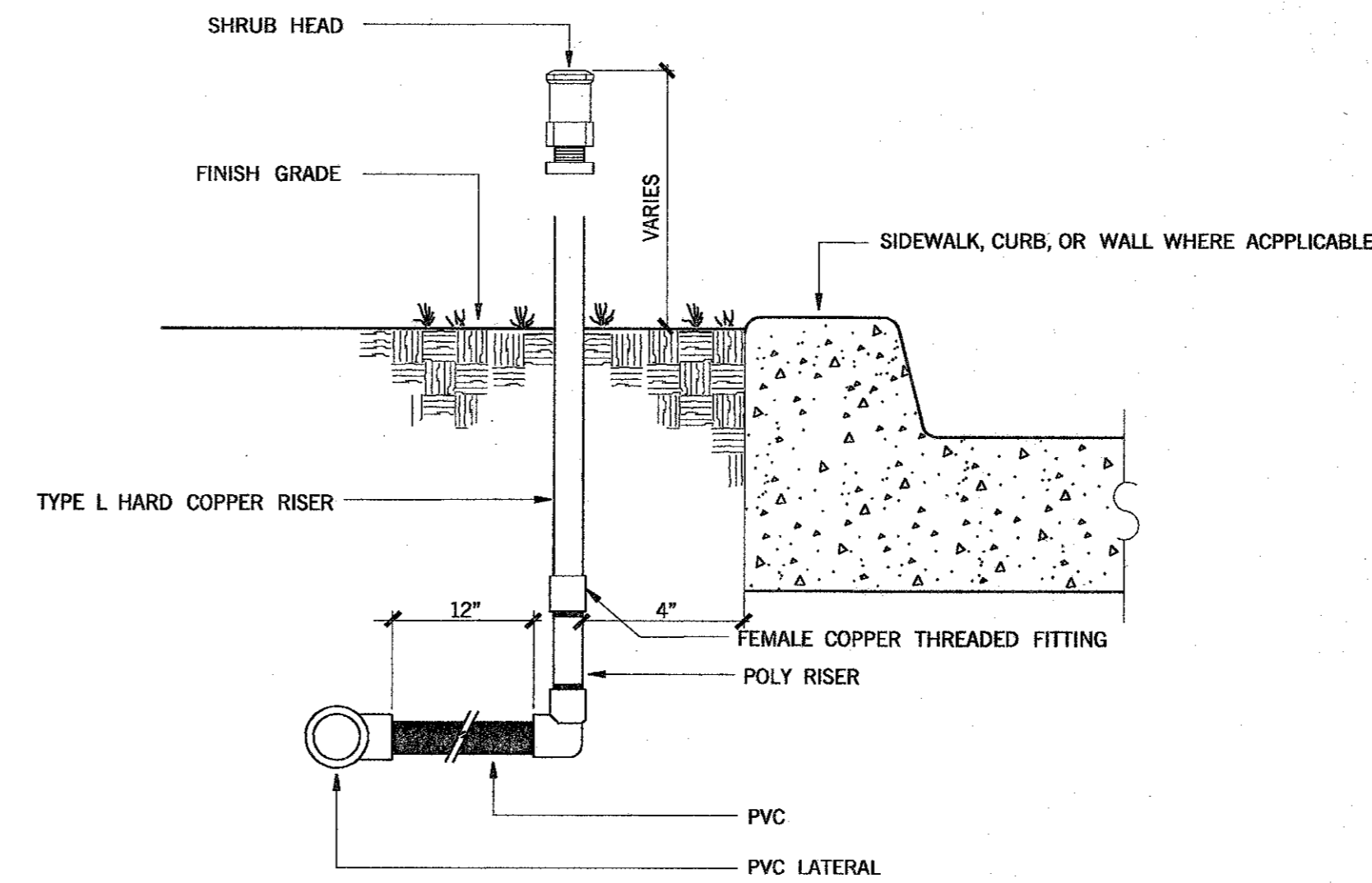
**ISOLATION GATE VALVE DETAIL**

NOT TO SCALE



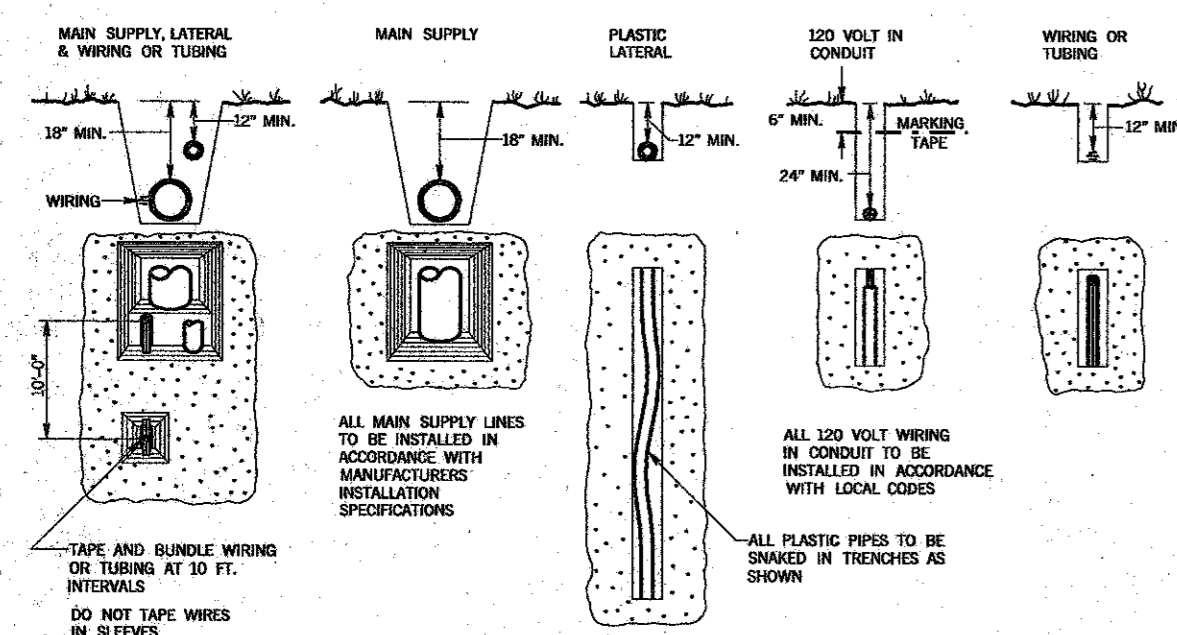
**QUICK COUPLING VALVE DETAIL**

NOT TO SCALE



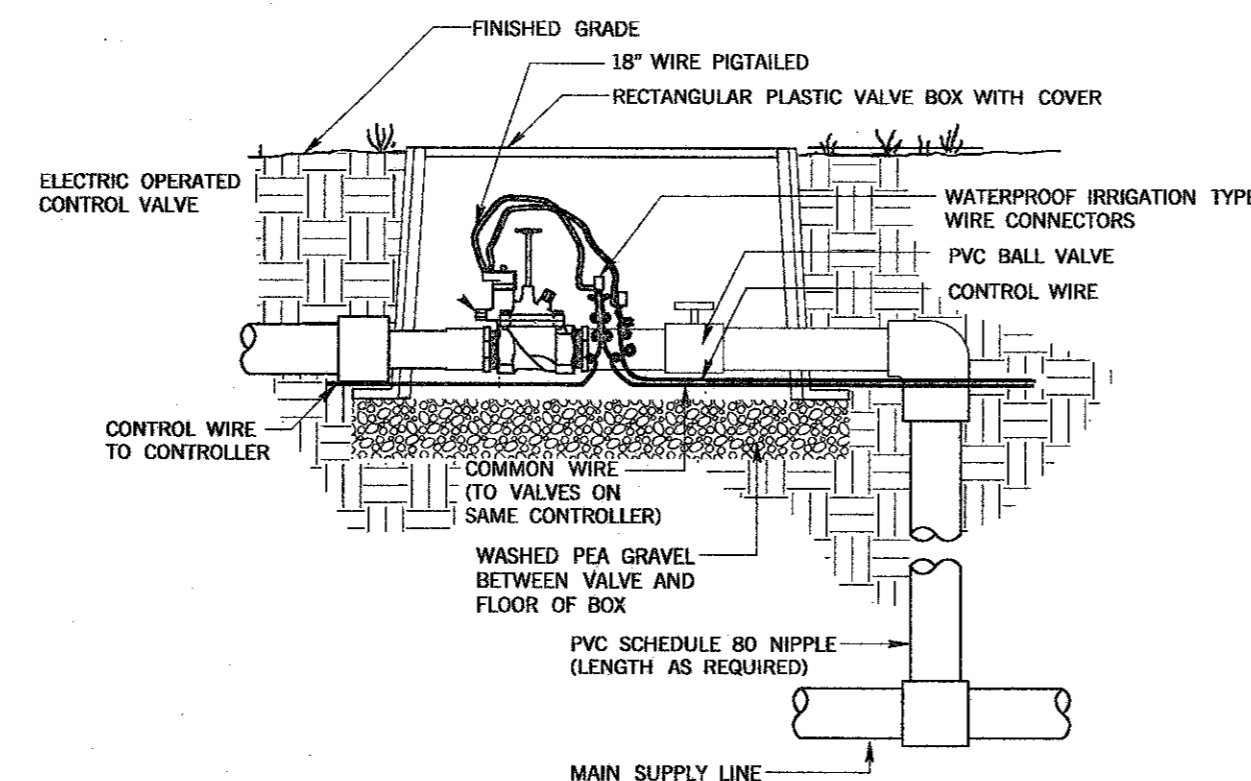
**SHRUB HEAD DETAIL**

NOT TO SCALE



**TRENCHING DETAILS**

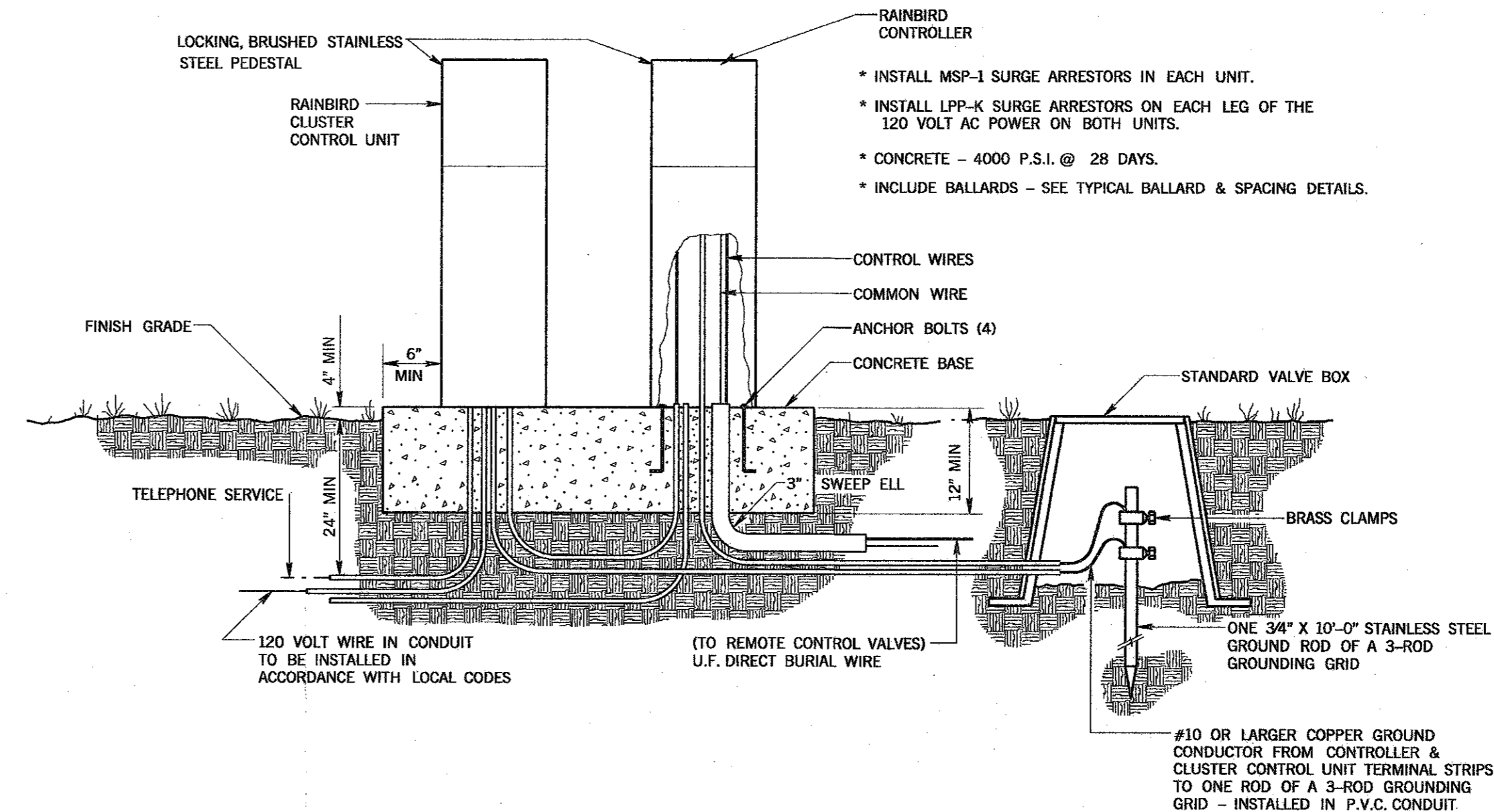
NOT TO SCALE



**SOLENOID VALVE DETAIL**

NOT TO SCALE

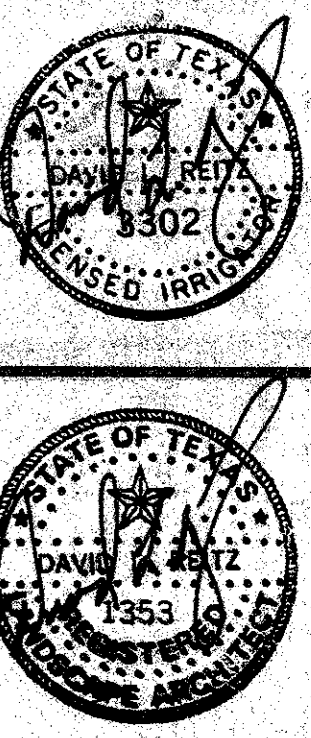
- NOTES
1. ALL WIRE TO BE INSTALLED PER LOCAL CODE.
  2. TAPE AND BUNDLE WIRE EVERY TEN FEET.
  3. PROVIDE EXPANSION COILS AT EACH WIRE CONNECTION IN VALVE BOX. (WRAP AROUND 1/2" PIPE 15 TIMES.)
  4. COMPACT SOIL AROUND VALVE BOX TO SAME DENSITY AS UNDISTURBED ADJACENT SOIL.
  5. ORIENT RECTANGULAR VALVE BOXES SO THAT THE EDGES ARE PARALLEL TO ADJACENT WALKS, CURBS, ETC.



**TYPICAL CONTROLLER & CL. CONTROL UNIT PAD DETAILS**

NOT TO SCALE

- \* INSTALL MSP-1 SURGE ARRESTORS IN EACH UNIT.
- \* INSTALL LPP-K SURGE ARRESTORS ON EACH LEG OF THE 120 VOLT AC POWER ON BOTH UNITS.
- \* CONCRETE - 4000 P.S.I. @ 28 DAYS.
- \* INCLUDE BALLARDS - SEE TYPICAL BALLARD & SPACING DETAILS.



**LES LACS LINEAR PARK**

TOWN OF ADDISON PARKS & LEISURE SERVICES DEPARTMENT, 16801 WESTGROVE ROAD, ADDISON, TEXAS 75001 214/450-2851

**Carter Burgess**

REVISIONS	
JOB NUMBER	93324001D
DESIGNED	SLA
DRAWN	SLA
CHECKED	DLR/ALPO
ISSUE DATE	August 18, 1994
SHEET NUMBER	LI-1.10

Irrigation Details