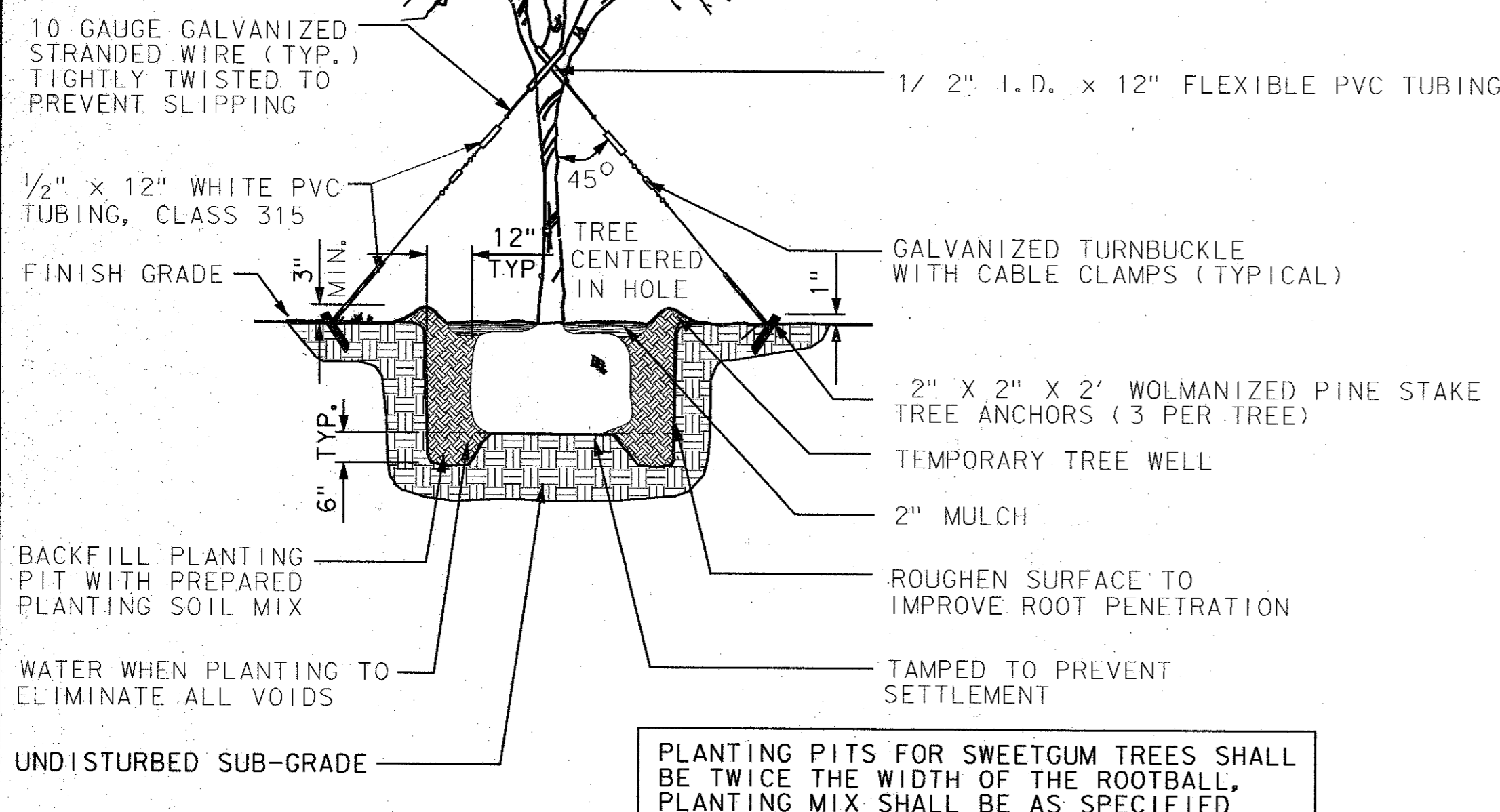
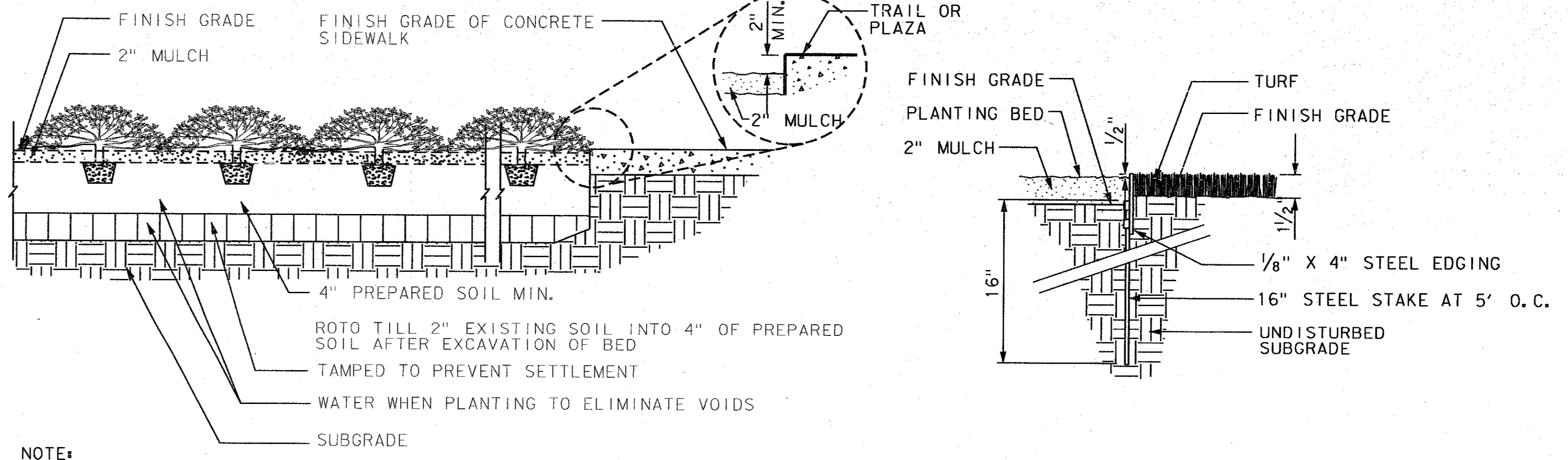


NOTES:

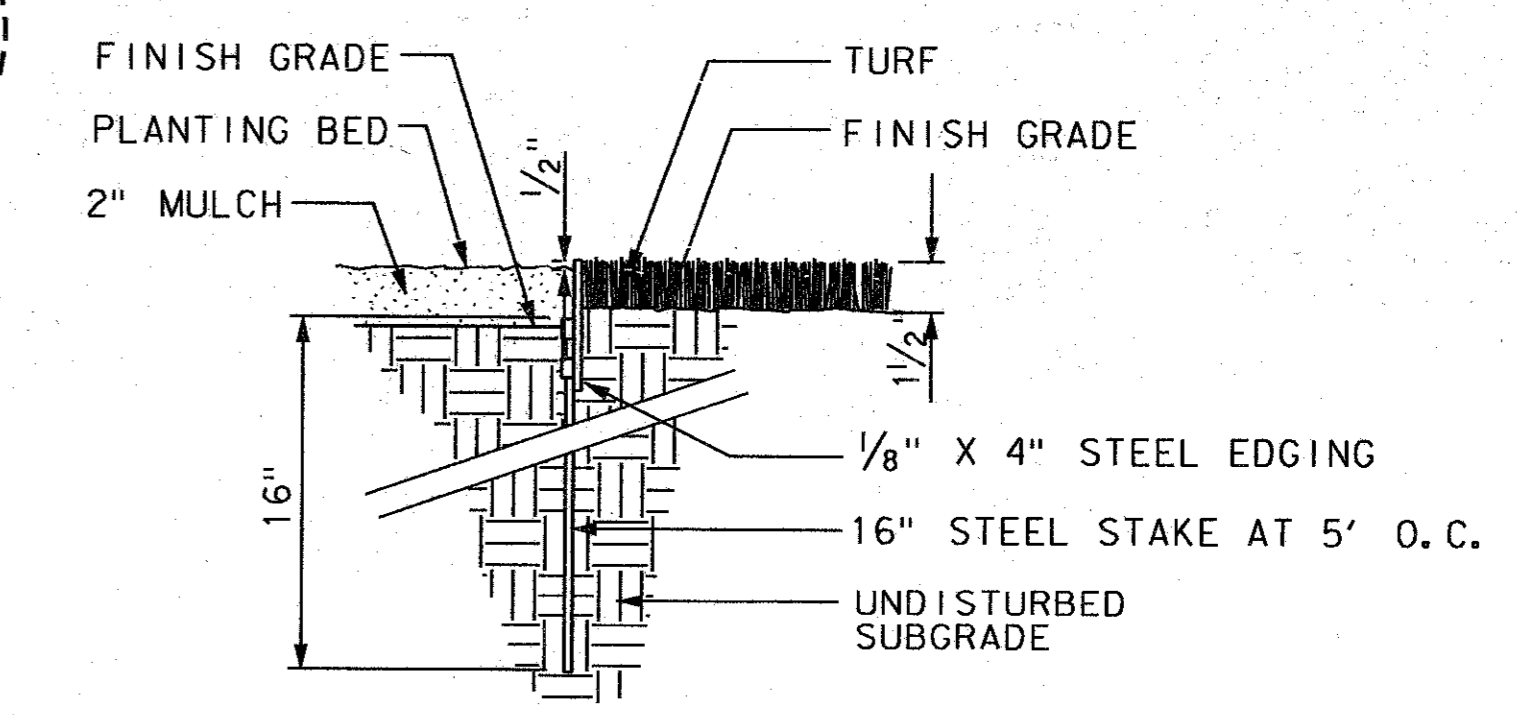
- * TEMPORARY TREE ANCHORS AND GUY WIRES TO BE REMOVED AFTER ONE FULL GROWING SEASON.
- * TREE CALIPER MEASURED ABOVE TOP OF ROOTBALL. 6" FOR TREES LESS THAN 4" CALIPER AND 12" FOR TREES 4" CALIPER AND GREATER.
- * APPROXIMATELY ONE THIRD OF THE BRANCH STRUCTURE SHALL BE REMOVED BY THINNING BUT THE NATURAL CHARACTER AND GENERAL SHAPE OF THE TREE SHALL BE PRESERVED.



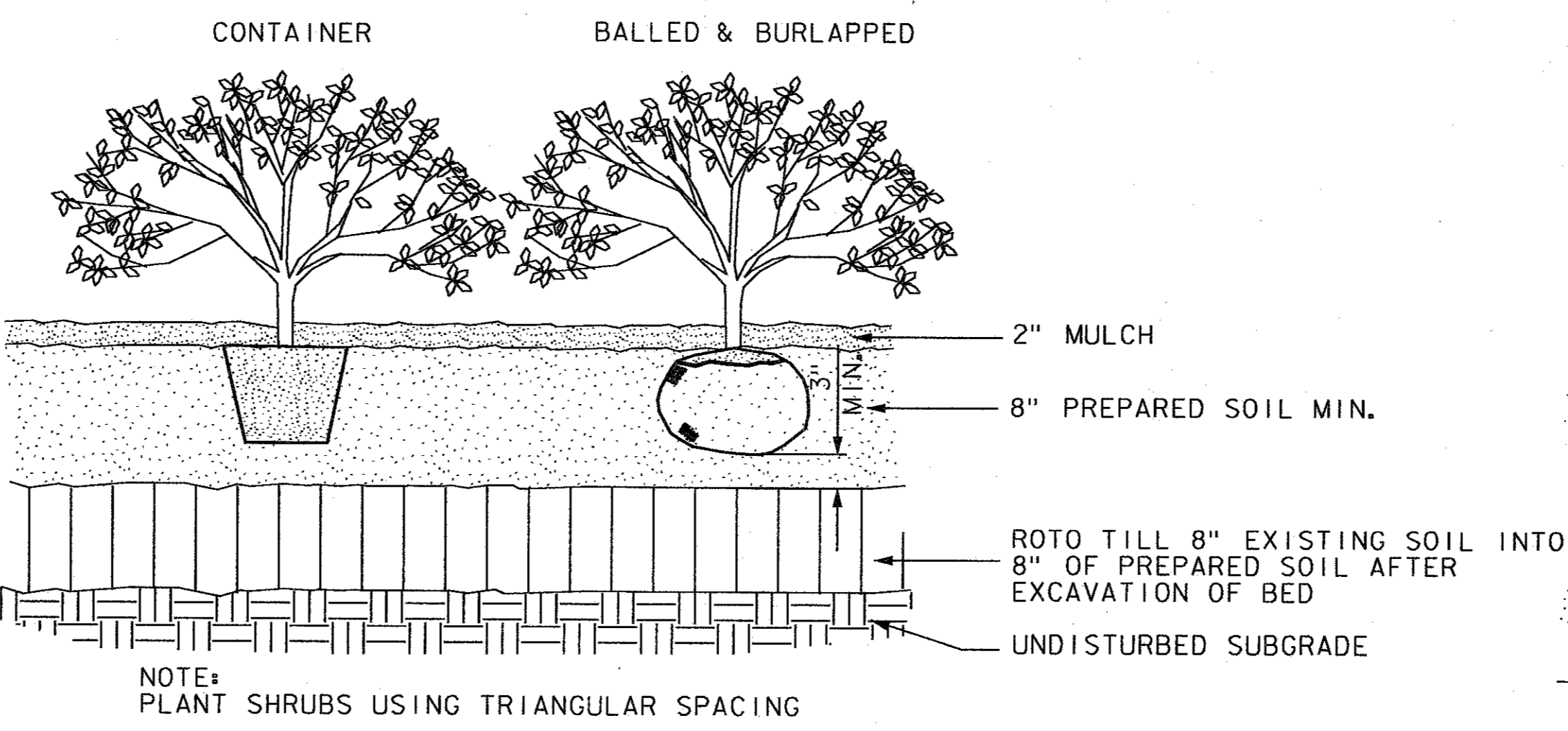
1 TREE PLANTING & STAKING DETAIL
NOT TO SCALE



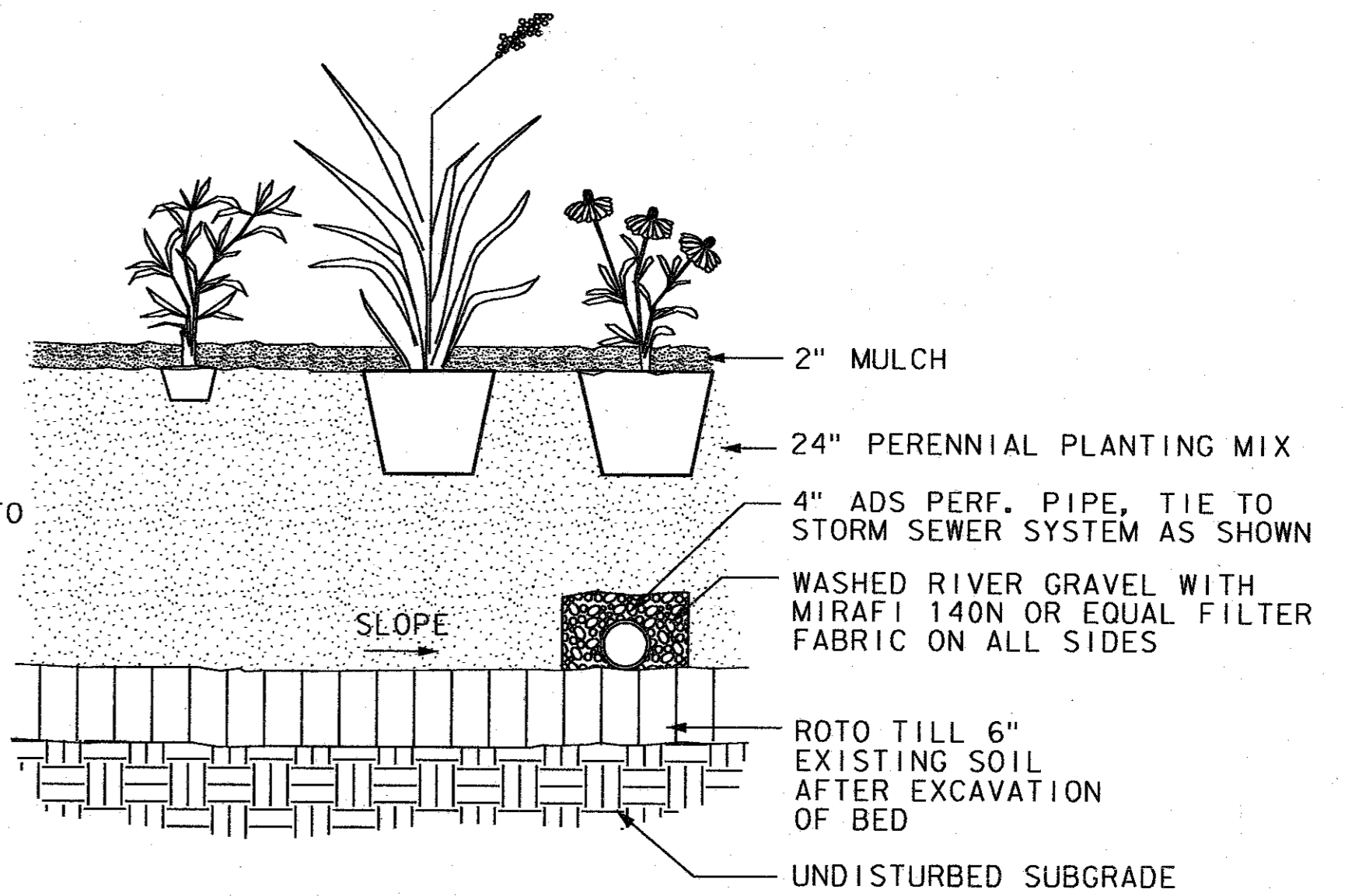
2 GROUND COVER PLANTING DETAIL
NOT TO SCALE



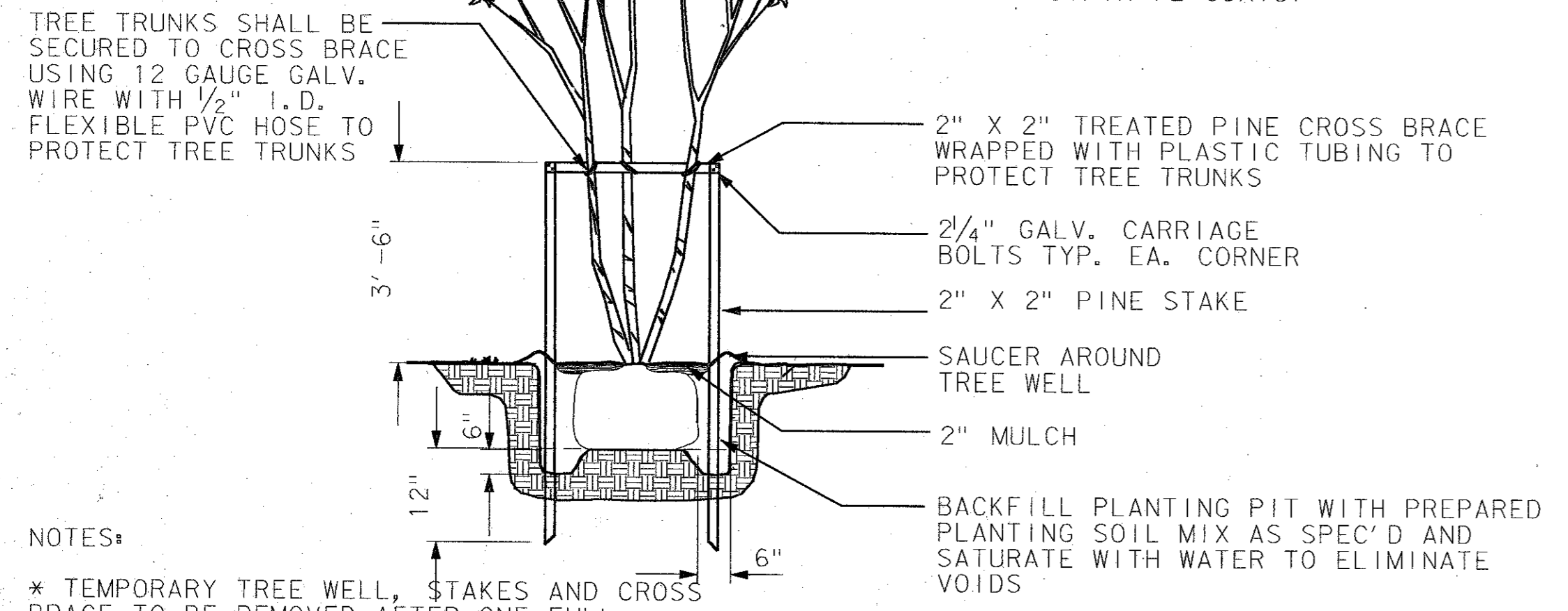
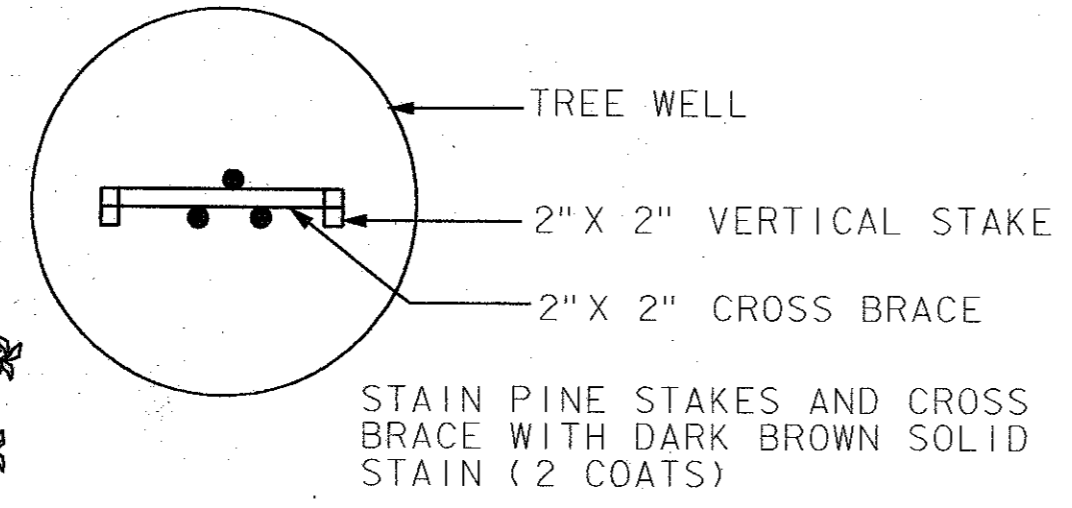
3 STEEL EDGING
NOT TO SCALE



4 SHRUB PLANTING DETAIL
NOT TO SCALE



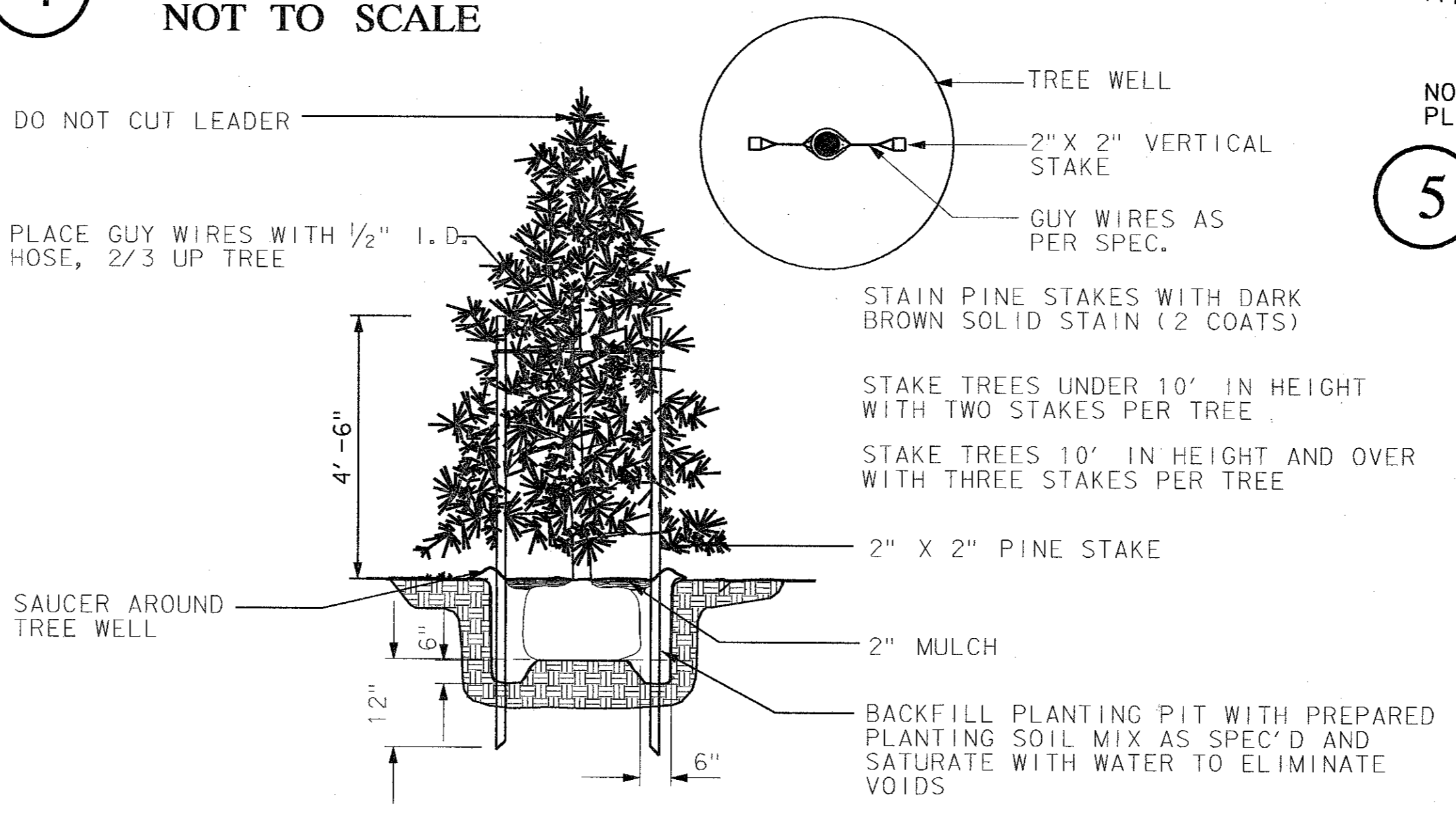
5 PERENNIAL BED
NOT TO SCALE



NOTES:

- * TEMPORARY TREE WELL, STAKES AND CROSS BRACE TO BE REMOVED AFTER ONE FULL GROWING SEASON
- * APPROXIMATELY 1/3 OF THE BRANCH STRUCTURE SHALL BE REMOVED BY THINNING, BUT THE NATURAL CHARACTER AND GENERAL SHAPE OF THE TREE SHALL BE PRESERVED.

6 MULTI-TRUNK TREE PLANTING & STAKING DETAIL
NOT TO SCALE



NOTES:

- * TEMPORARY TREE WELL, STAKES AND GUYING TO BE REMOVED AFTER ONE FULL GROWING SEASON
- * EVERGREEN TREE PLANTING DETAIL SHALL BE UTILIZED FOR ALL LEYLAND CYPRESS TREES.

7 EVERGREEN TREE PLANTING DETAIL
NOT TO SCALE

LES LACS LINEAR PARK
 TOWN OF ADDISON PARKS & LEISURE SERVICES DEPARTMENT 16801 WESTGROVE ROAD ADDISON, TEXAS 75001 214 /450-2851
 760 BLAIRBROOK DRIVE SUITE 250 DALLAS, TEXAS 75247 - 901
 (214) 688-0467 FAX (214) 688-0447
Carter Burgess

REVISIONS	
JOB NUMBER	93324001D
DESIGNED	SLA
DRAWN	SLA
CHECKED	DLR/ALD
ISSUE DATE	August 18, 1994
SHEET NUMBER	LP-1.10