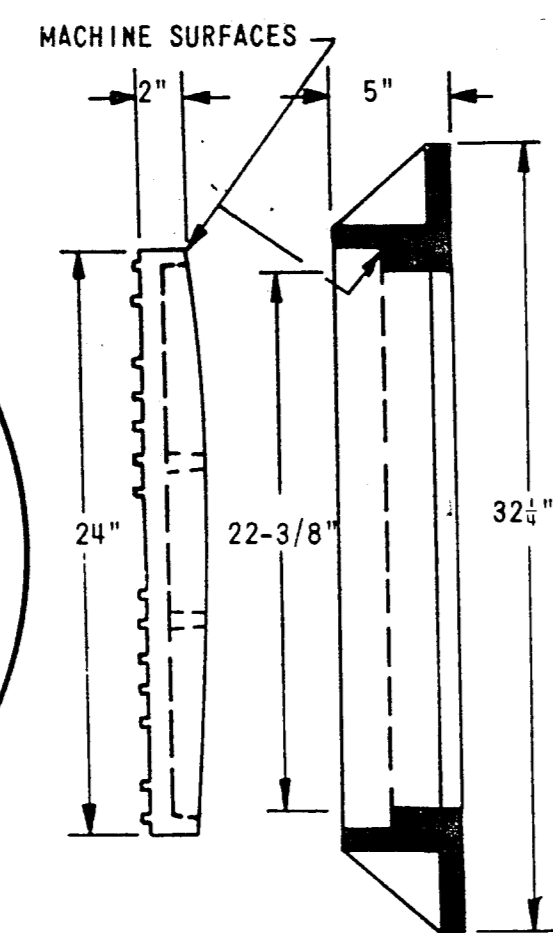
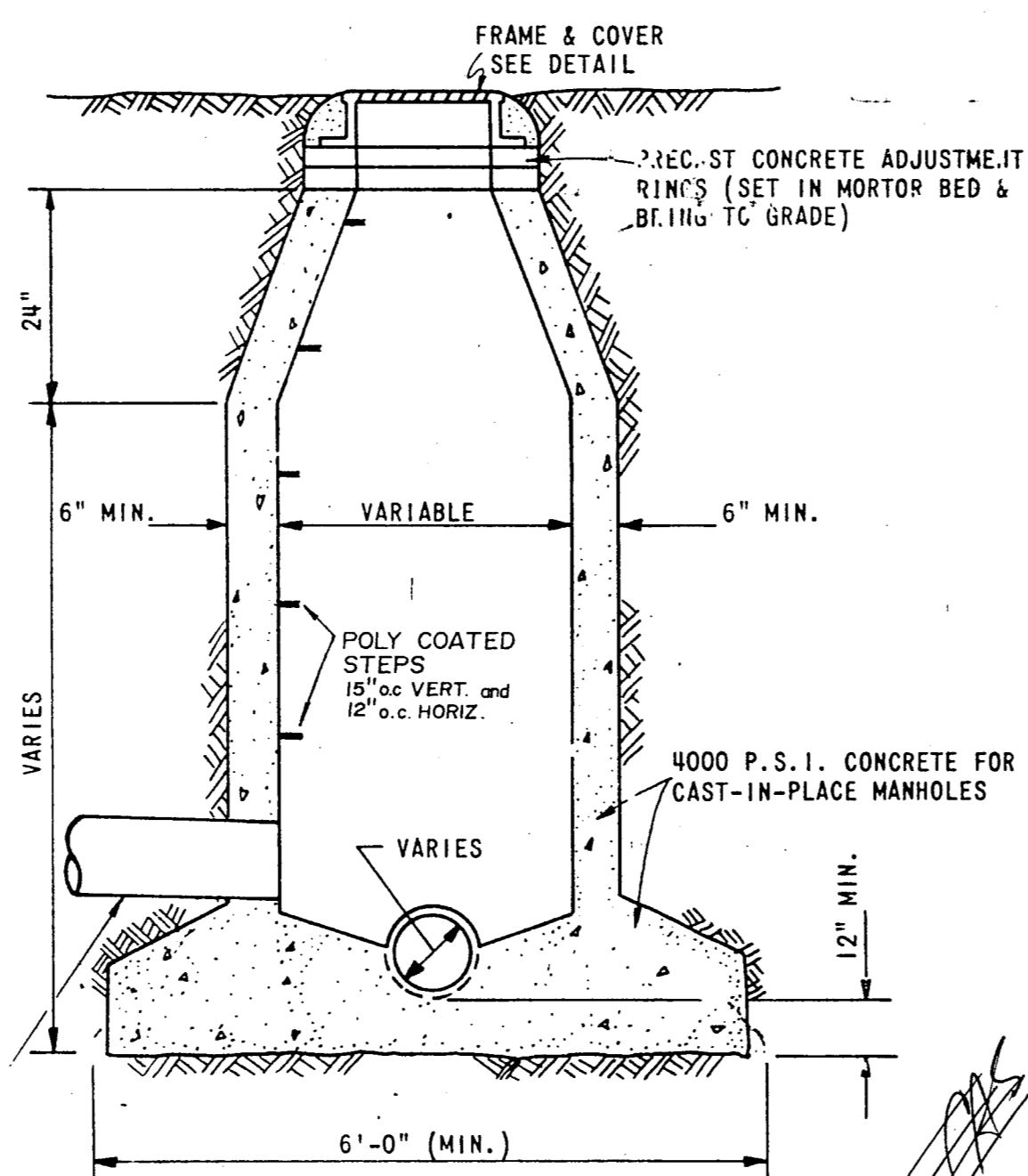


**CAST IRON GRATE AND FRAME DETAIL**  
 PROVIDE WITH HOOK AND BAR SLOTS FOR REMOVAL OF COVER



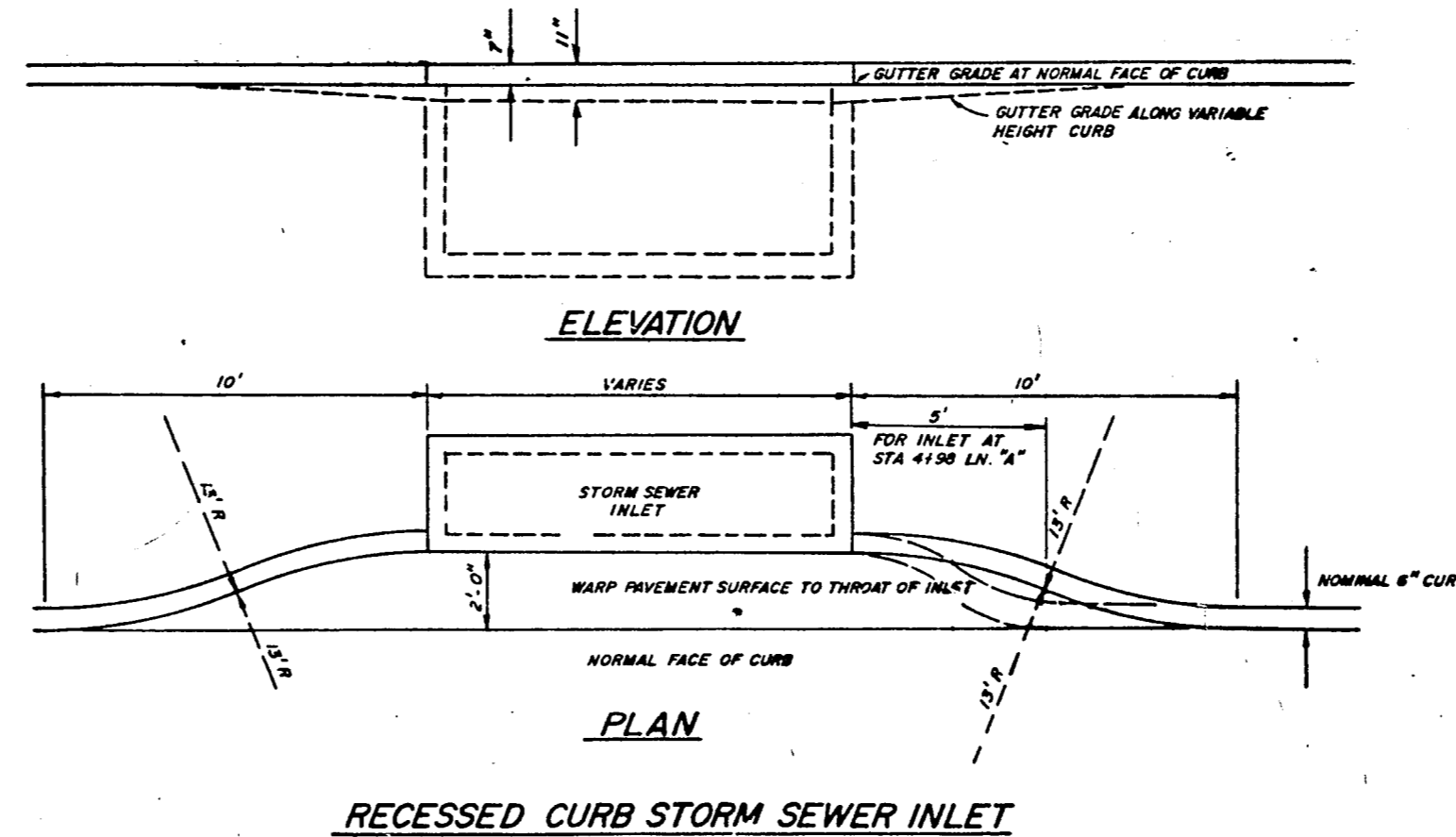
APPROX. WEIGHT RING AND COVER 400 LBS.

STUBOUTS TO BE A MINIMUM OF 5" LONG WITH CONC. CRADLE UNDER ENTIRE LENGTH

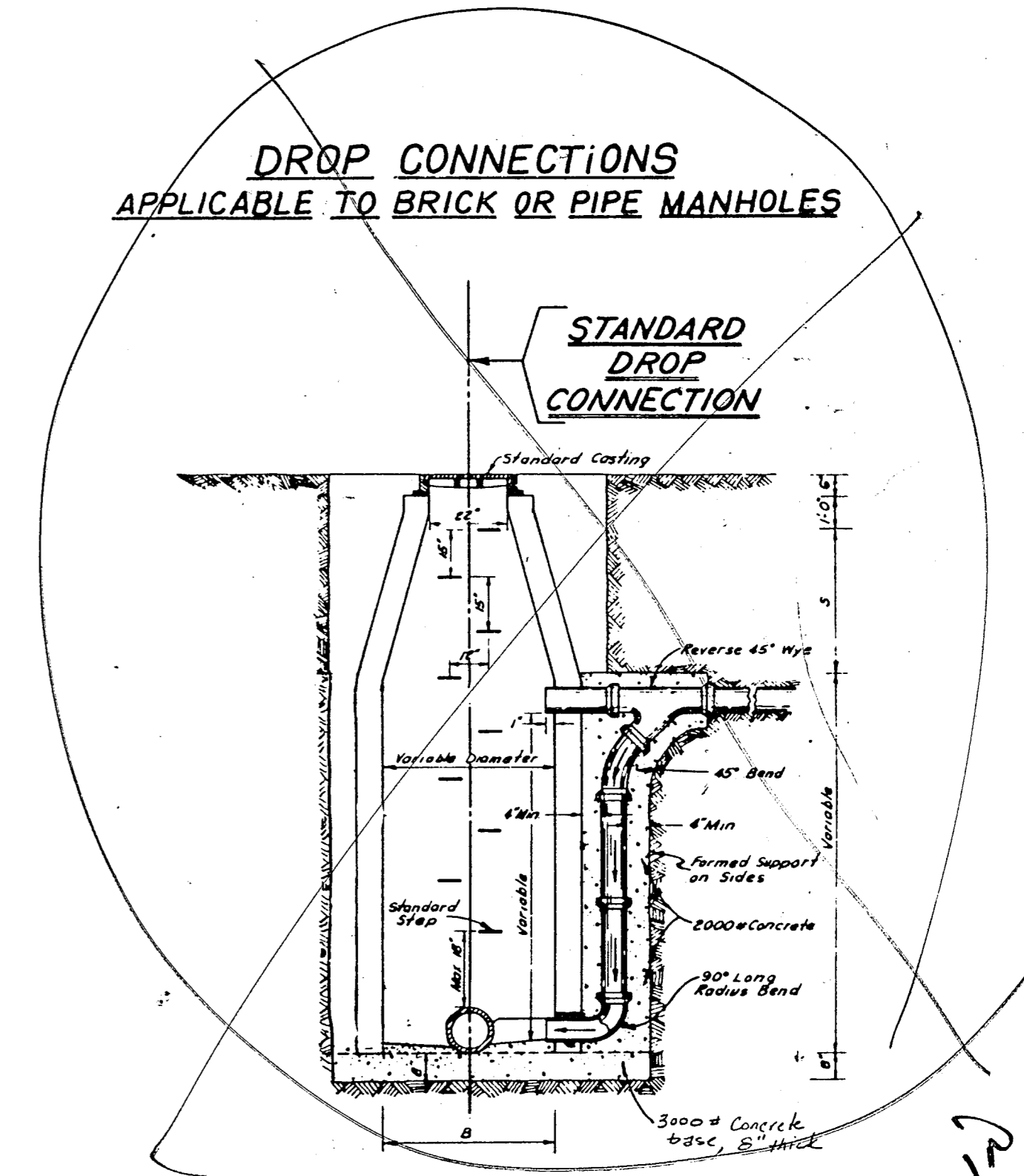


**STANDARD CAST-IN-PLACE MANHOLE**

- CAST-IN-PLACE NOTES:**
1. KEYWAYS REQUIRED FOR ALL CONSTRUCTION JOINTS.
  2. P.V.C. WATER STOP REQUIRED FOR ALL JOINTS IN 1" WED 1'-0" OF MANHOLES.
  3. POLY COATED STEPS REQUIRED



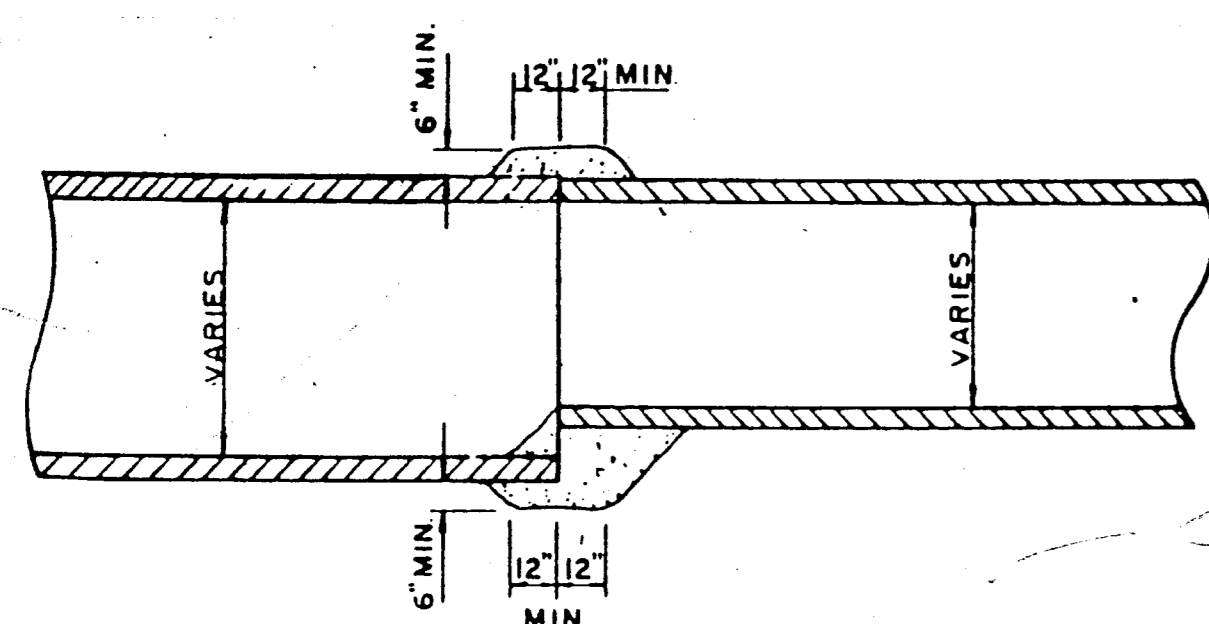
**RECESSED CURB STORM SEWER INLET**



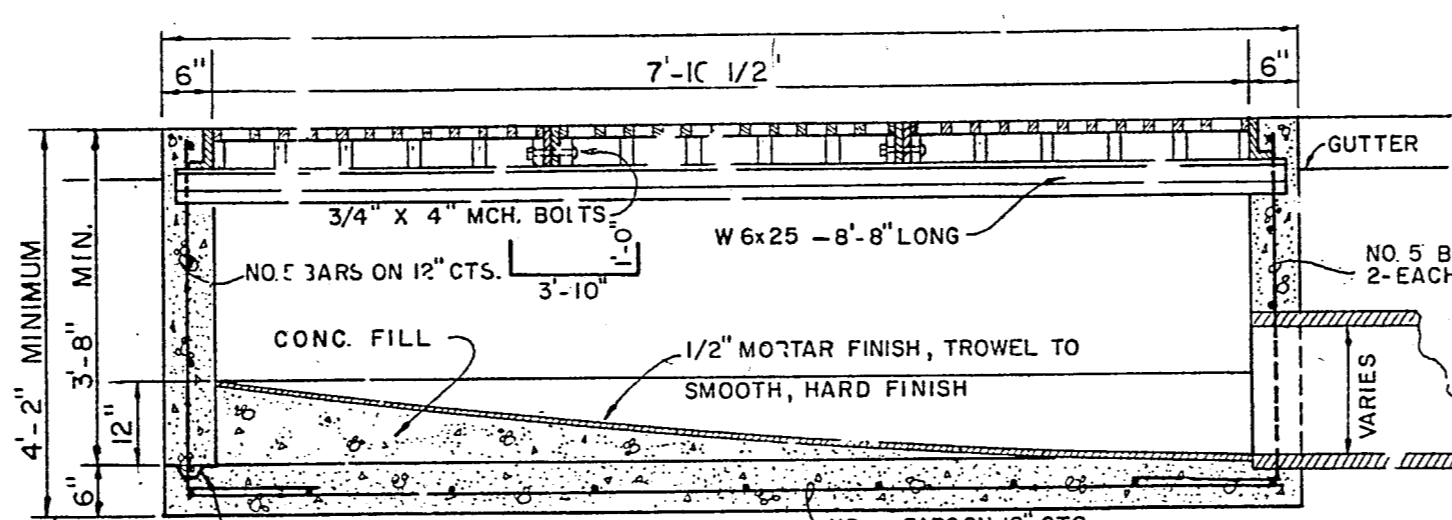
**DROP CONNECTIONS APPLICABLE TO BRICK OR PIPE MANHOLES**

**STANDARD DROP CONNECTION**

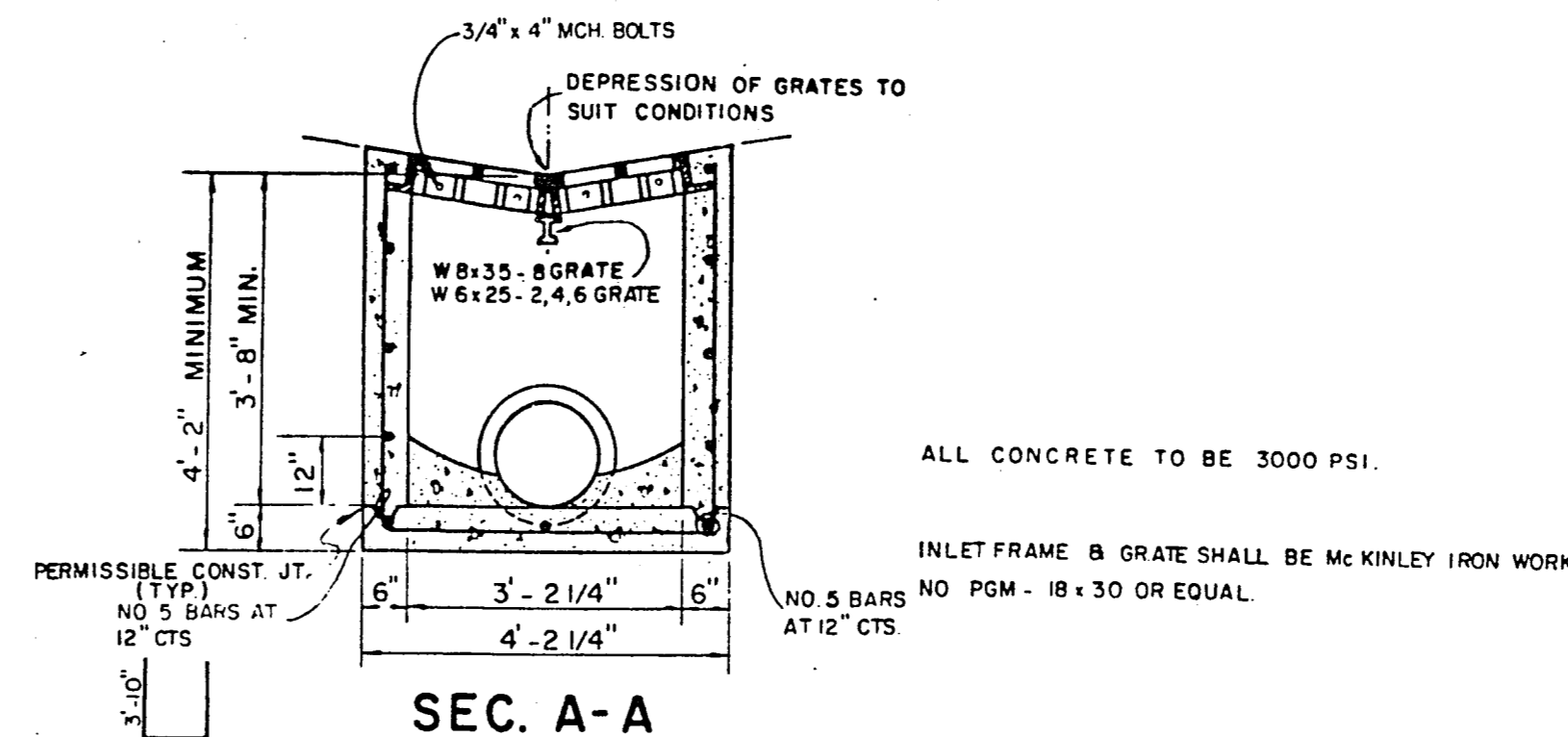
*Drop must be in manhole or come in at grade*



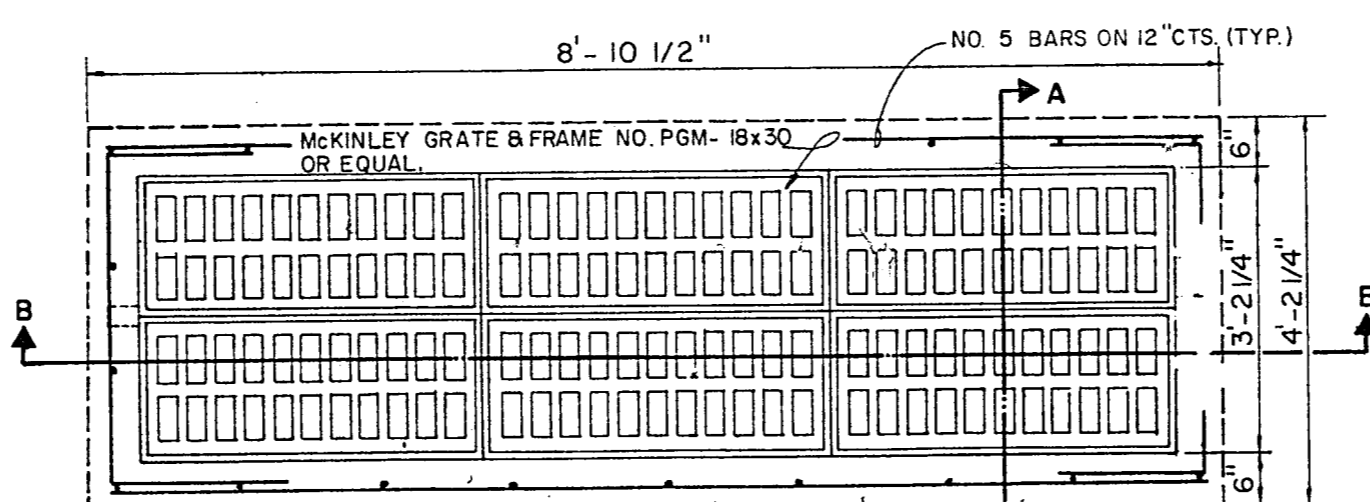
**DETAIL OF CONCRETE COLLAR FOR PIPE CONNECTIONS**



**SEC. B-B**

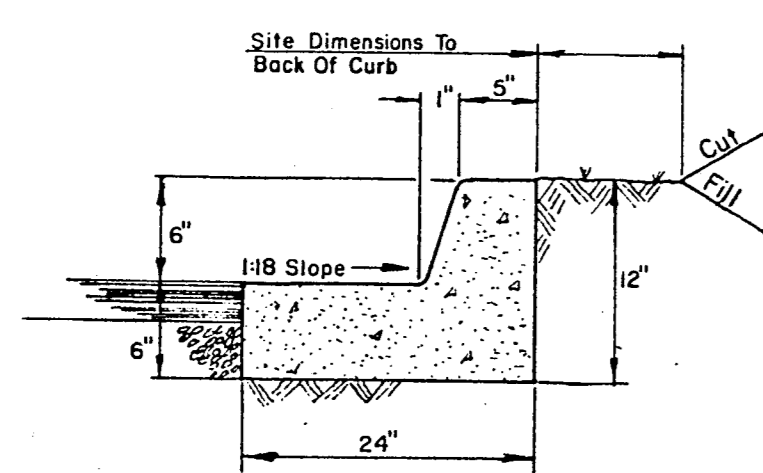


**SEC. A-A**



**PLAN**

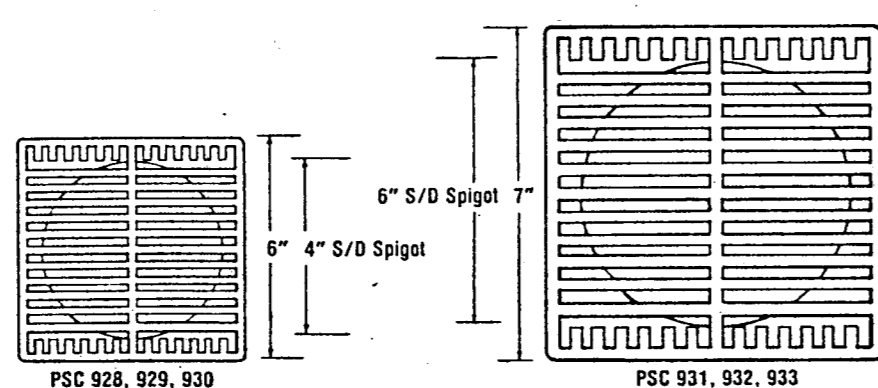
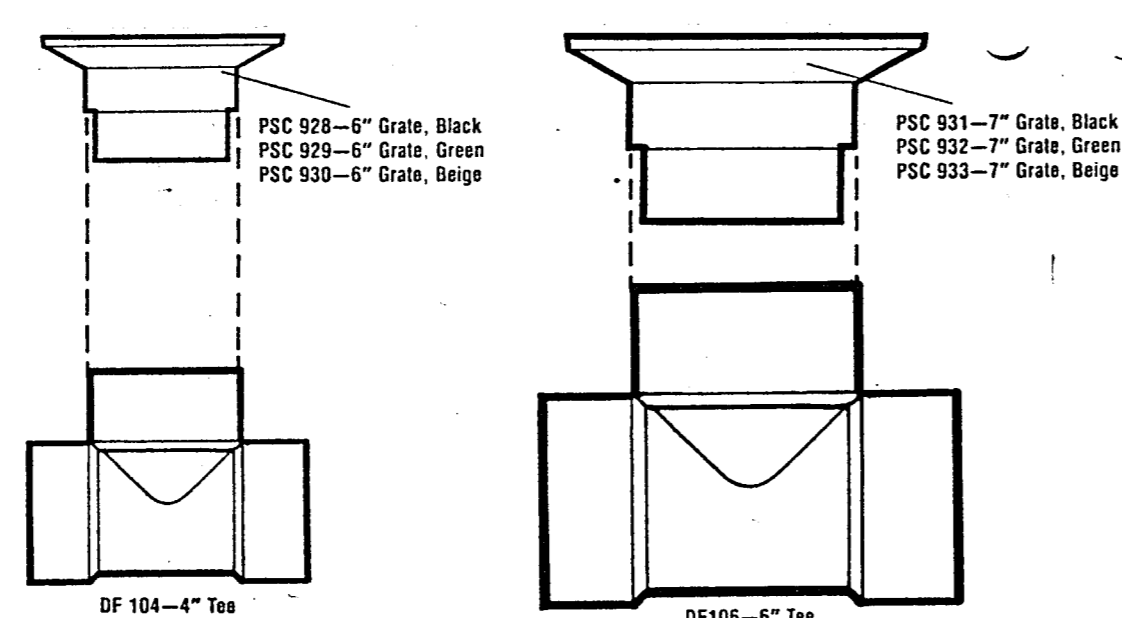
**STANDARD SIX GRATE INLET**



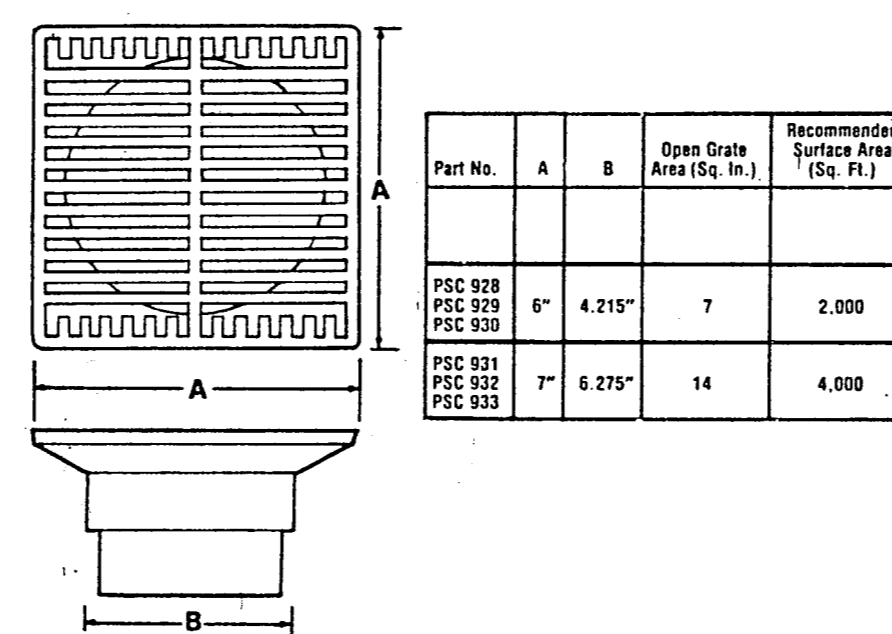
**CURB & GUTTER TYPE**

1. Concrete 3,000 PSI @ 28 Days.
2. Provide 1/2" Deep Contraction Joint @ 10' Intervals
3. Provide 1/2" Expansion Joint @ 50' Intervals, @ All Tangent Points, And @ All Rigid Structures.
4. Tool All Joints And Edges To 1/8" R.

**CURB DETAIL**



**AREA DRAIN DETAIL**



NOTE: APPROVED EQUAL PRODUCTS MAY BE SUBSTITUTED FOR "JIFF-E-DRAIN" DRAINS AND TEES.