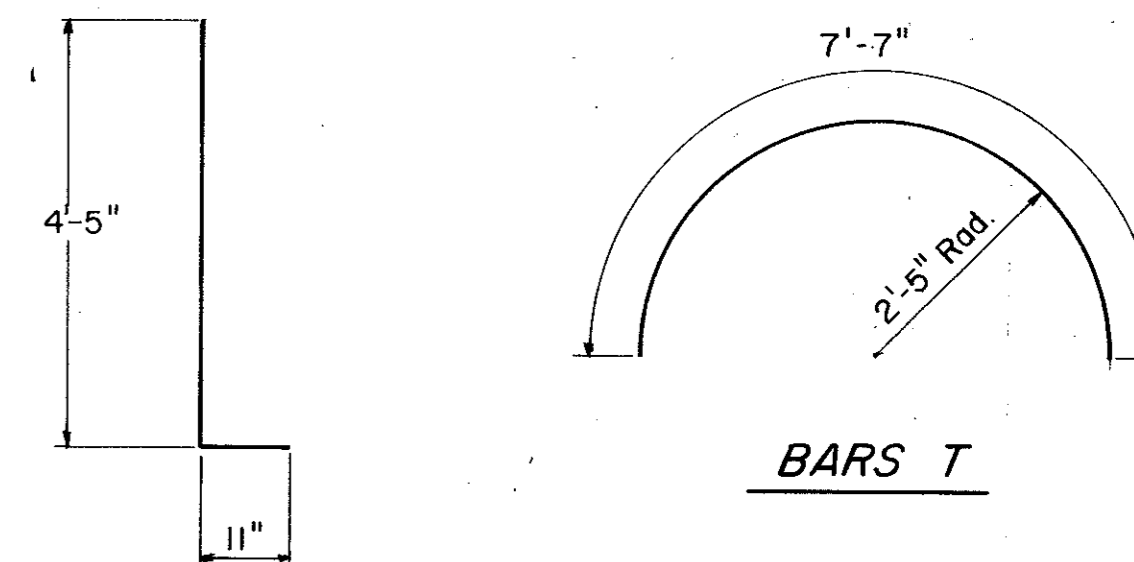
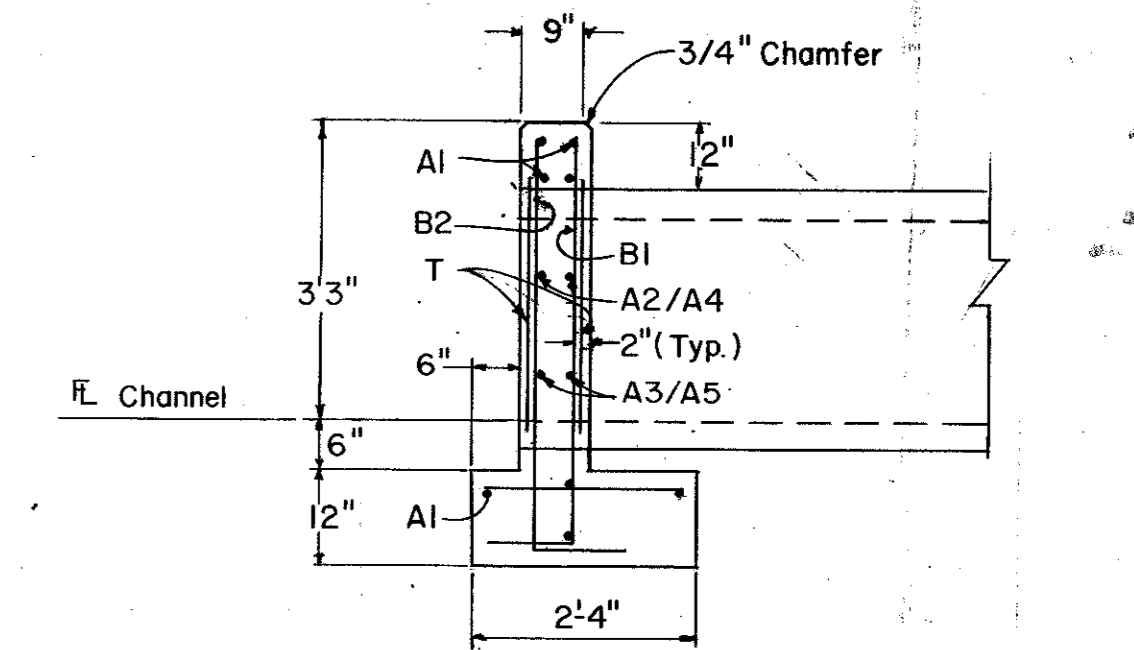
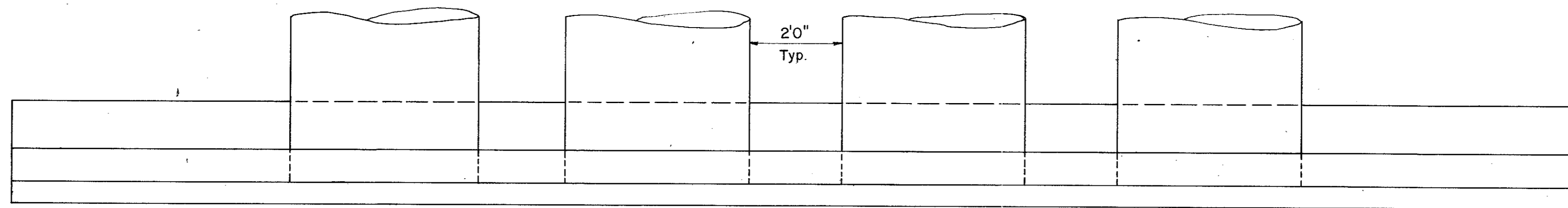


HEADWALL ELEVATION



BARS B1 & B2

| HEADWALL BAR SCHEDULE | | | | | |
|-----------------------|------|------|-----|--------|--------|
| Bar | Type | Size | No. | Length | Weight |
| A1 | Str. | #4 | 16 | 35'8" | 381 |
| A2 | do | #4 | 8 | 6'4" | 34 |
| A3 | do | #4 | 8 | 6'1" | 32 |
| A4 | do | #4 | 12 | 2'3" | 18 |
| A5 | do | #4 | 12 | 1'10" | 15 |
| A6 | do | #4 | 12 | 11'2" | 90 |
| B1 | Bt | #5 | 62 | 5'4" | 345 |
| B2 | do | #5 | 46 | 5'4" | 256 |
| C | Str. | #5 | 82 | 2'0" | 171 |
| T | Bt | #5 | 16 | 7'7" | 127 |

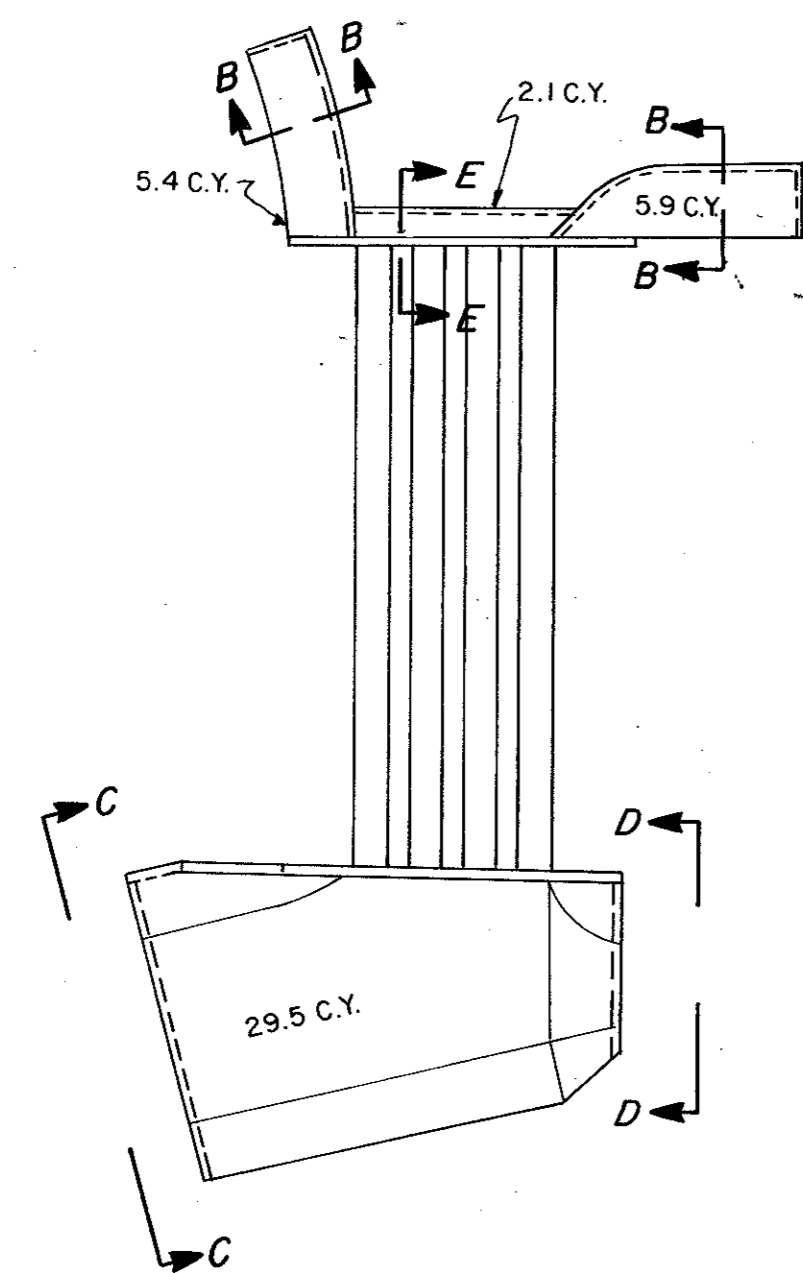
ESTIMATED QUANTITIES

Class A Concrete (Hdwl.) 13.0 C.Y.
Reinforcing Steel (Hdwl.) 1,469 LB.

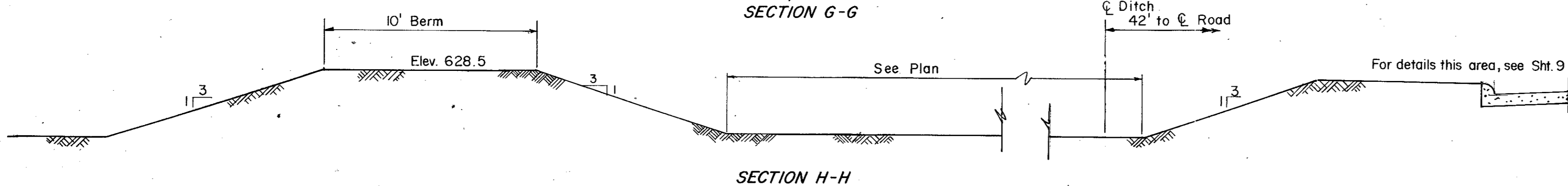
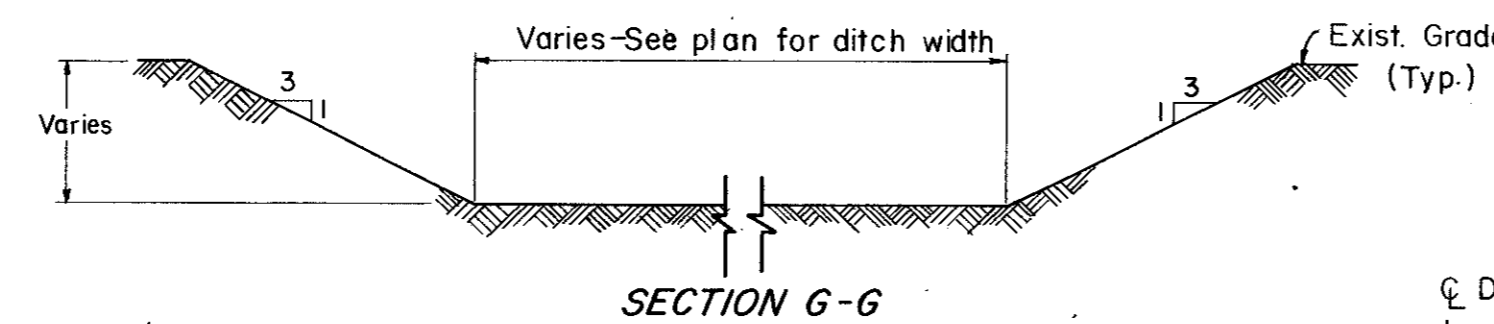
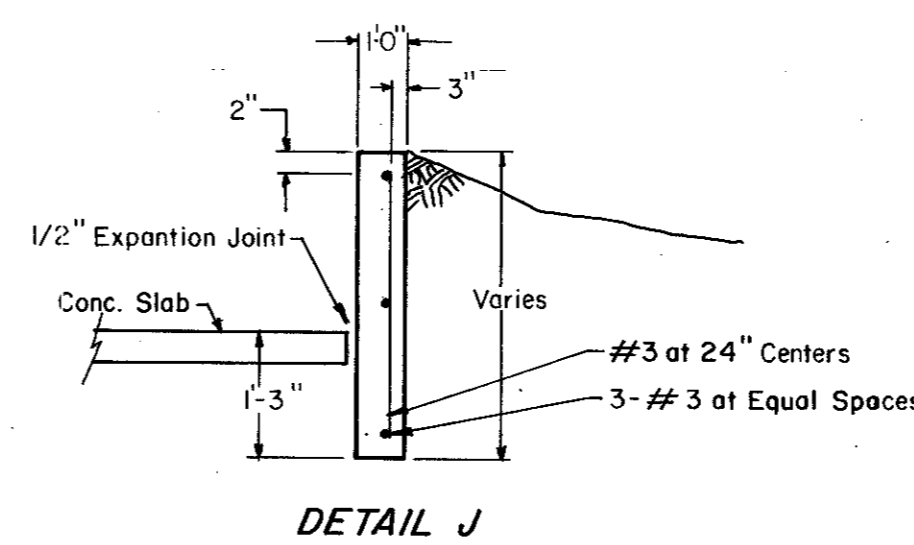
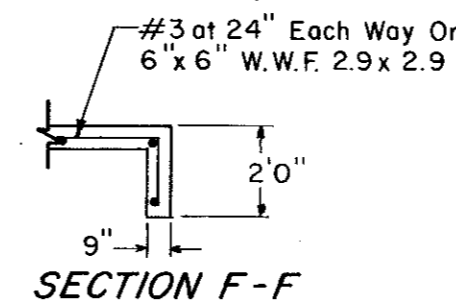
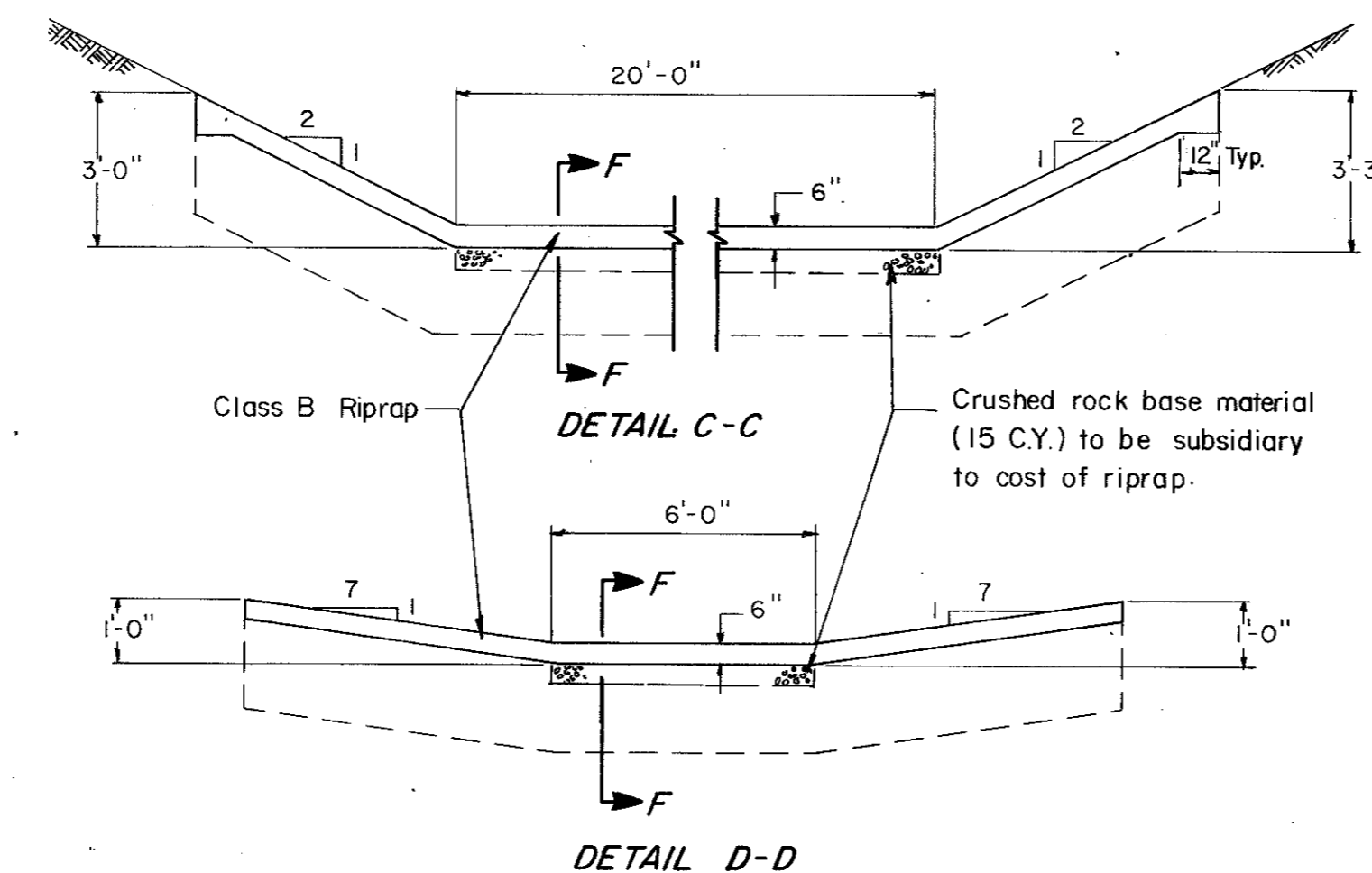
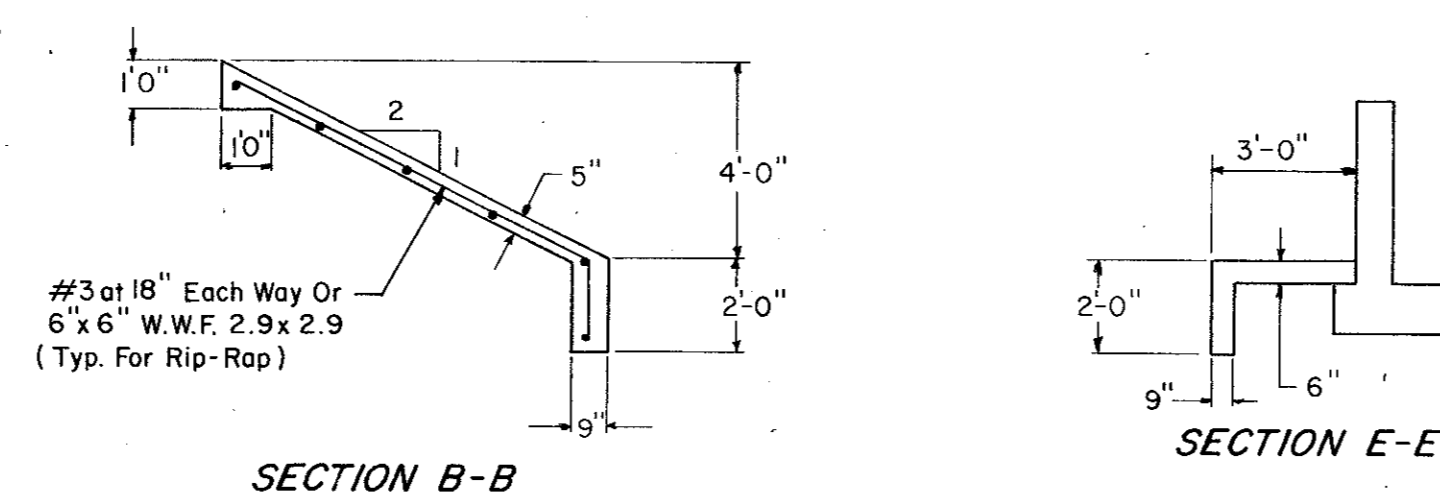
General Notes:

Max. size coarse aggregate 1-1/2"
All surfaces of headwalls exposed to view shall receive a surface finish as provided in the pertinent specifications.

Cost of excavation, Class B bedding, and backfilling for 24" RCP and arch pipe to be included in the cost of laying pipe.



Class B Rip-Rap 42.9 C.Y.
* Cost Of Reinforcing Steel To Be Included In Cost Of Rip-Rap.



Record Drawing 4/9/85

| | | | |
|----------------------------------|-------------|------------------|------------------|
| CITY OF ADDISON | | | |
| DRAINAGE DETAILS | | | |
| LINDBERG ROAD | | | |
| GINN, INC., Consulting Engineers | | | |
| DESIGNED - HBJ | DRAWN - DTS | DATE - AUG. 1980 | FILE |
| APPROVED - | CHECKED - | SCALE - NONE | SHEET 10-A OF 17 |